



US00D856514S

(12) **United States Design Patent**
Canady et al.

(10) **Patent No.:** **US D856,514 S**

(45) **Date of Patent:** **** *Aug. 13, 2019**

(54) **ELECTROSURGICAL PROBE CERAMIC TIP**

(71) Applicant: **U.S. Patent Innovations, LLC**,
Takoma Park, MD (US)

(72) Inventors: **Jerome Canady**, Lakeland, FL (US);
Feng Yan, Fairfax, VA (US); **Taisen Zhuang**, Rockville, MD (US)

(73) Assignee: **U.S. Patent Innovations, LLC**,
Takoma Park, MD (US)

(*) Notice: This patent is subject to a terminal disclaimer.

(**) Term: **15 Years**

(21) Appl. No.: **29/628,684**

(22) Filed: **Dec. 6, 2017**

(51) **LOC (12) Cl.** **24-02**

(52) **U.S. Cl.**
USPC **D24/144**

(58) **Field of Classification Search**
USPC D24/144, 127, 107, 104, 129
CPC . A61B 18/14; A61B 18/1402; A61B 18/1477;
A61B 18/1485; A61B 18/1487; A61B
18/1492; A61B 2018/1417; A61B
2018/1495

See application file for complete search history.

(56) **References Cited**

U.S. PATENT DOCUMENTS

2,828,748 A 4/1958 August
4,936,842 A * 6/1990 D'Amelio A61B 18/14
219/234
5,088,997 A 2/1992 Delahuerga
6,112,123 A * 8/2000 Kelleher A61B 18/1492
606/27

6,673,072 B1 * 1/2004 Garito A61B 18/1477
606/41
6,726,684 B1 * 4/2004 Woloszko A61B 18/1485
606/32
D629,902 S * 12/2010 Palmer D24/144
D750,258 S * 2/2016 Crossley D24/144
9,603,653 B2 3/2017 Schnitzler
9,763,732 B2 * 9/2017 Zinnanti A61B 18/1482
9,844,641 B2 * 12/2017 Rajagopalan A61B 18/1492
10,076,238 B2 * 9/2018 Amirana A61B 18/1492

FOREIGN PATENT DOCUMENTS

JP 2002301088 10/2002

* cited by examiner

Primary Examiner — Wan Laymon

(74) *Attorney, Agent, or Firm* — 24IP Law Group USA,
PLLC; Timothy R DeWitt

(57) **CLAIM**

The ornamental design for an electrosurgical probe ceramic tip, as shown and described.

DESCRIPTION

FIG. 1 is a top perspective view of an electrosurgical probe ceramic tip.

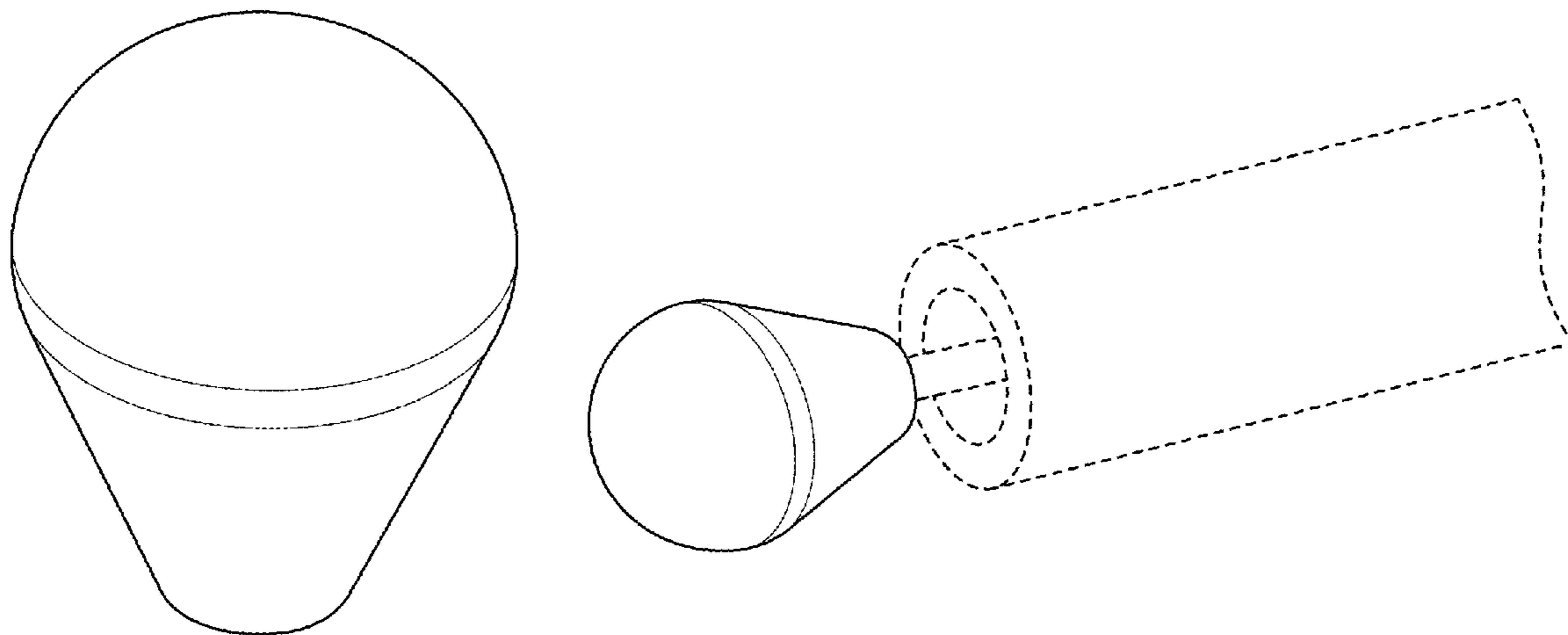
FIG. 2 is a side view of the electrosurgical probe ceramic tip; FIG. 3 is a top view of the electrosurgical probe ceramic tip; FIG. 4 is a bottom view of the electrosurgical probe ceramic tip;

FIG. 5 is a bottom perspective view of the electrosurgical probe ceramic tip; and,

FIG. 6 is a perspective view of the electrosurgical probe ceramic tip together with an electrosurgical probe.

It will be understood that the dashed lines presented in the drawings are for illustration only and do not form a part of the claimed design.

1 Claim, 3 Drawing Sheets



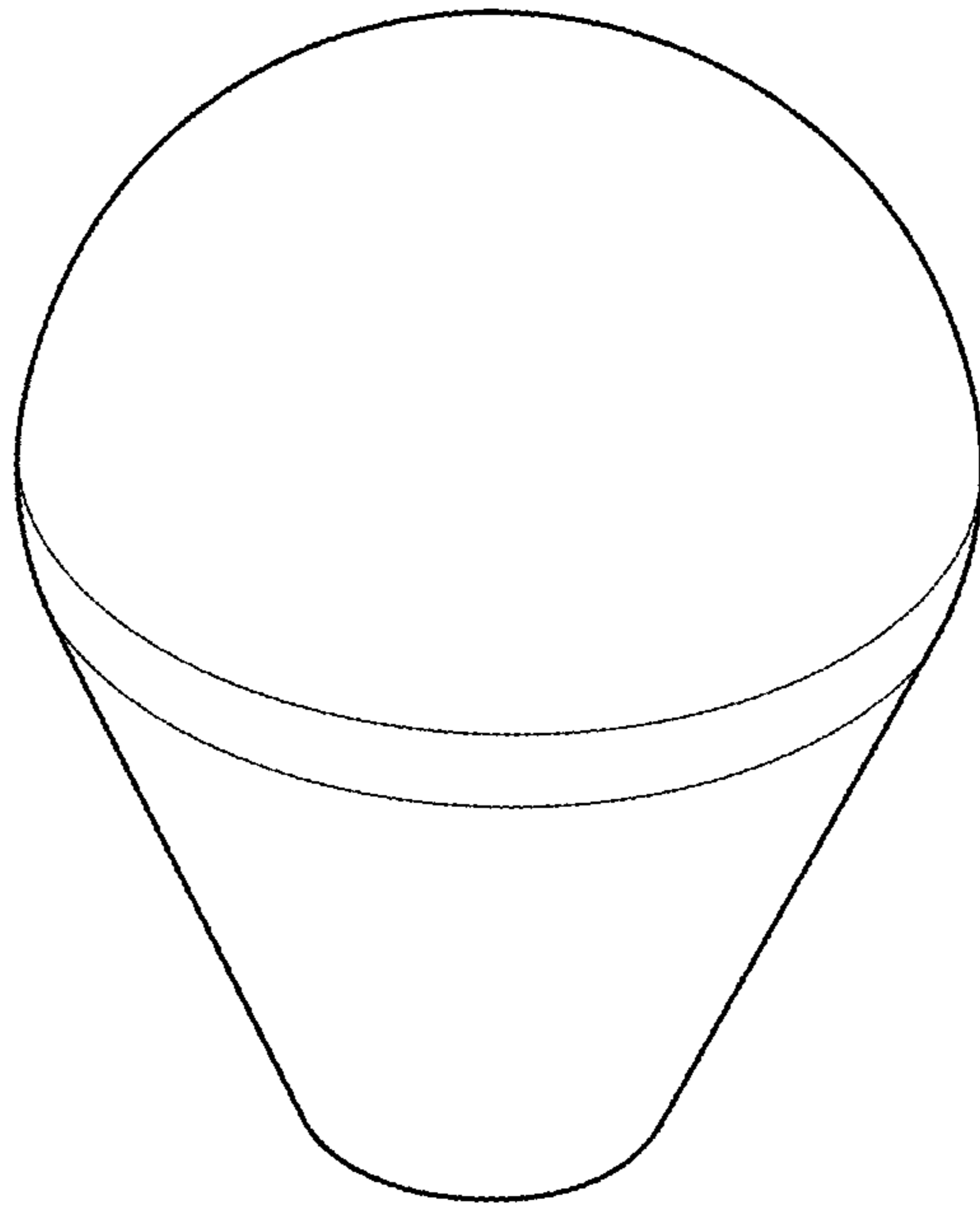


FIG. 1

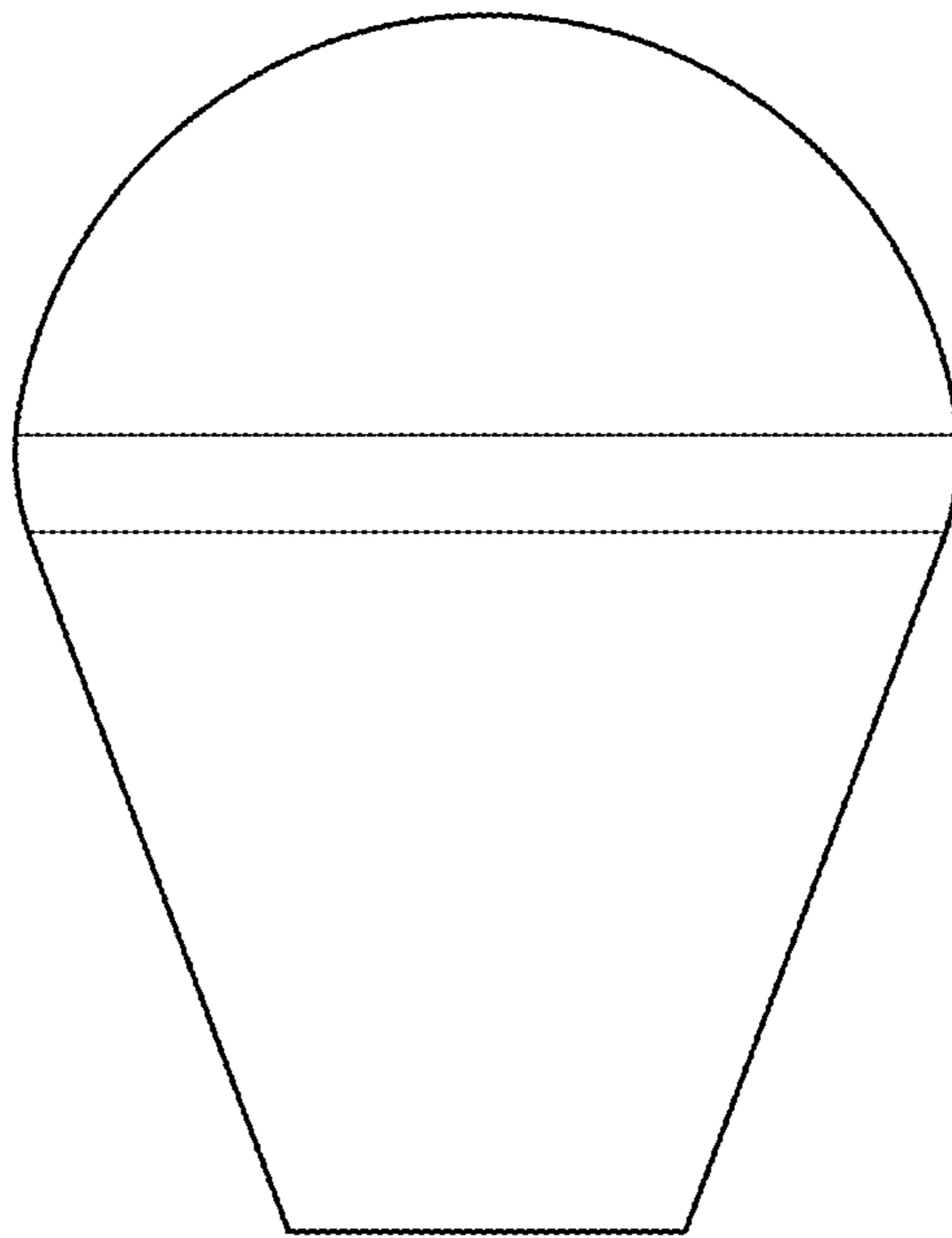


FIG. 2

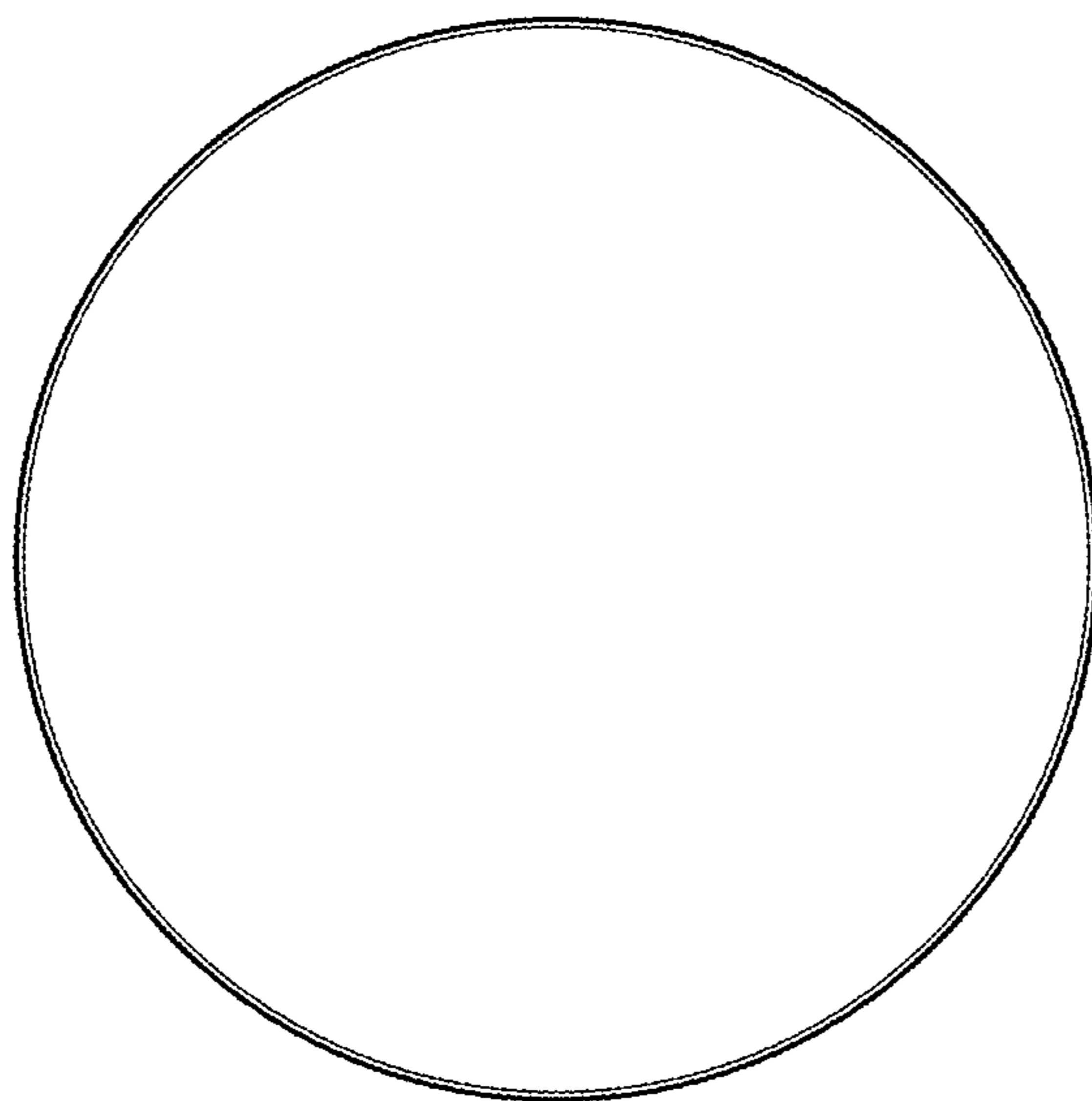


FIG. 3

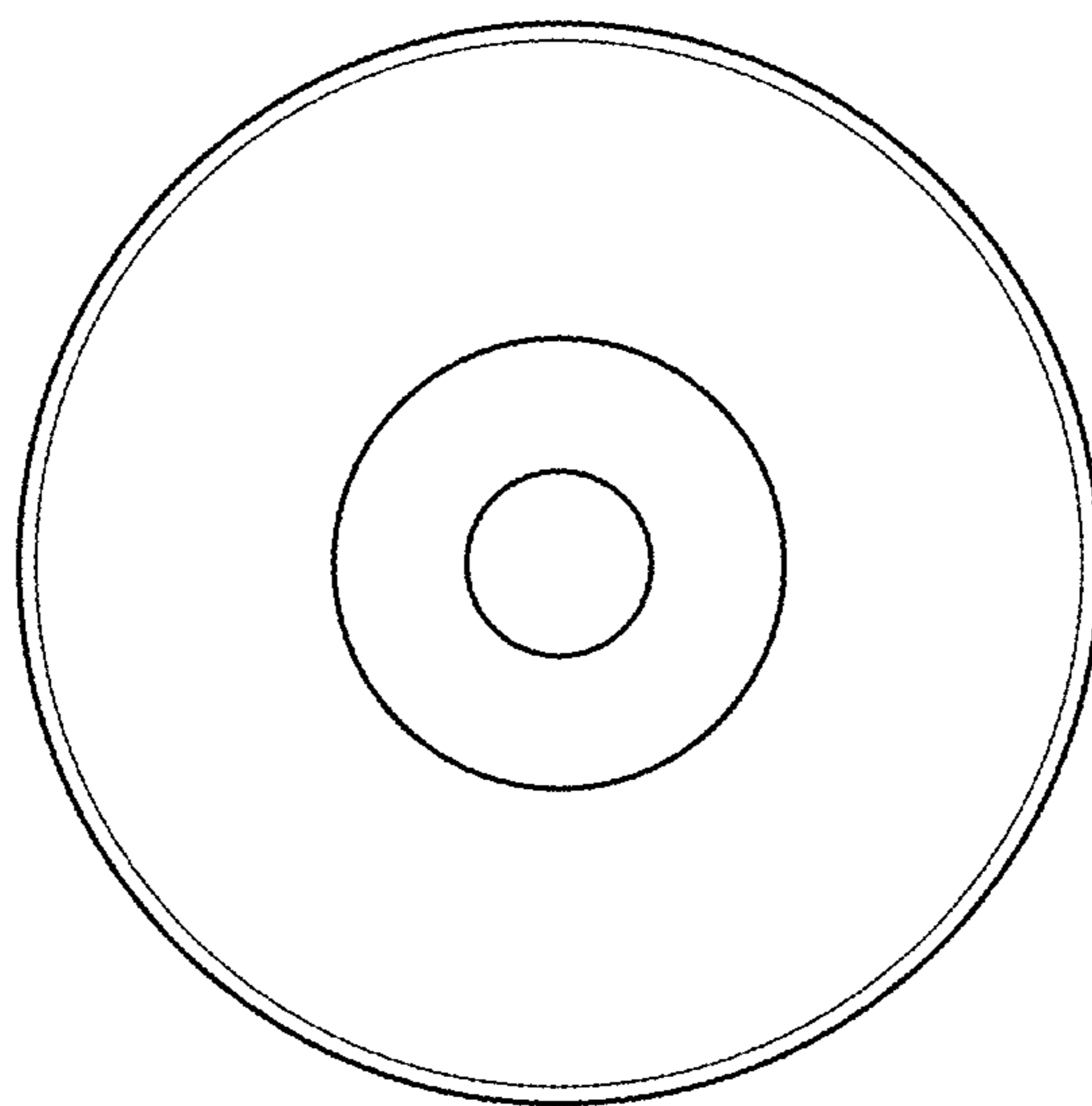


FIG. 4

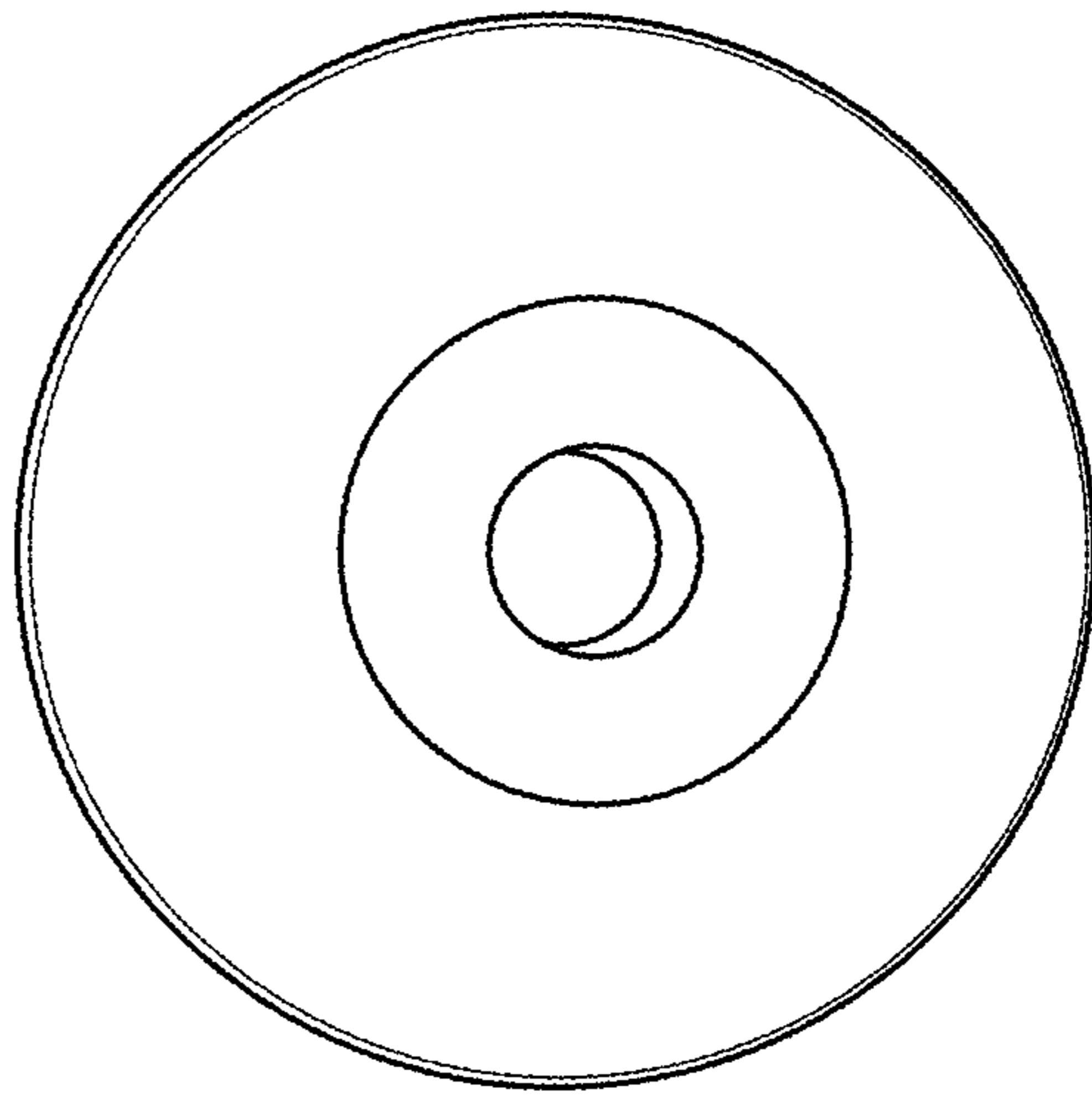


FIG. 5

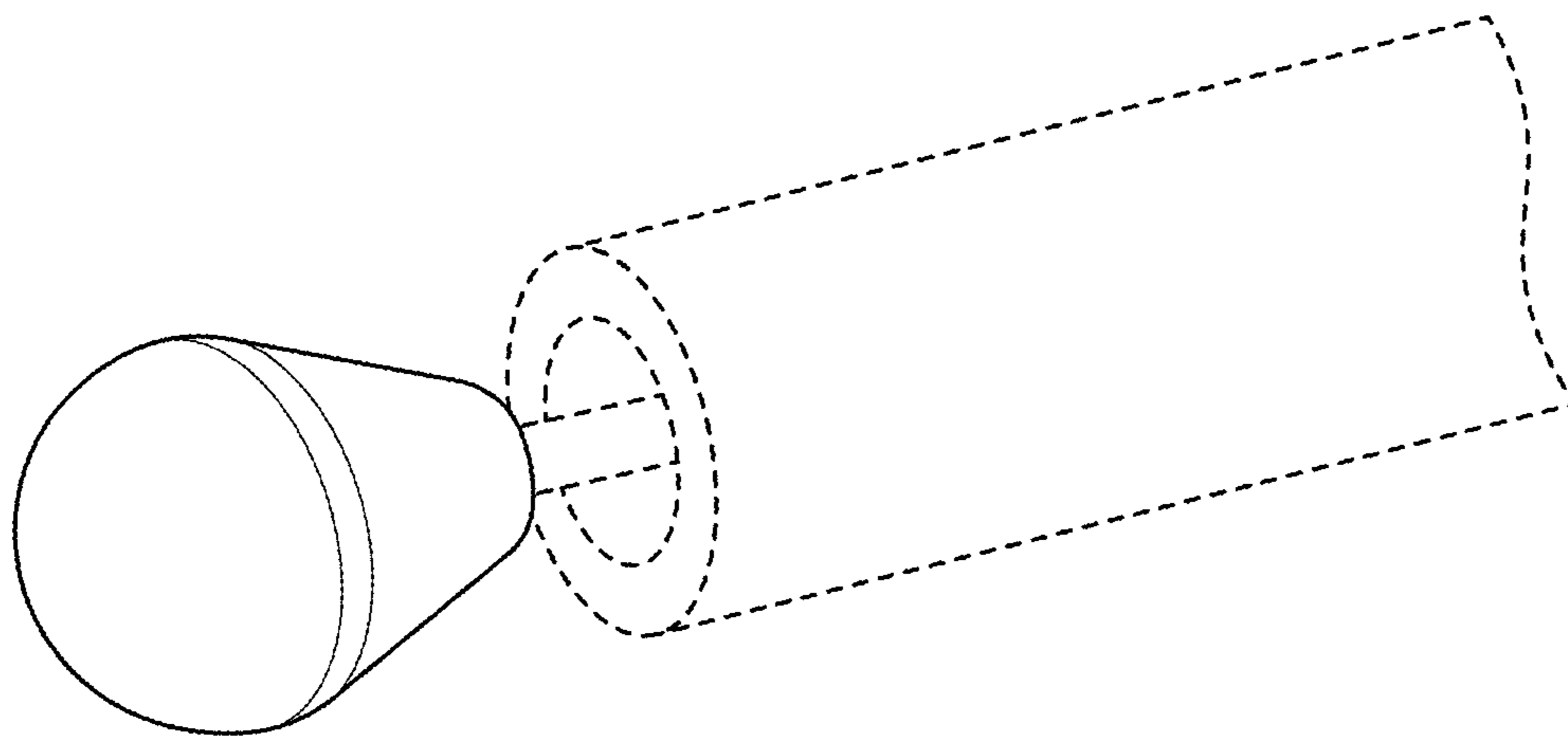


FIG. 6