



US00D856513S

(12) **United States Design Patent** (10) **Patent No.:** **US D856,513 S**
Taylor et al. (45) **Date of Patent:** **** Aug. 13, 2019**

(54) **LAPAROSCOPIC SIZING INSTRUMENT**

(71) Applicant: **Torax Medical, Inc.**, Shoreview, MN (US)
(72) Inventors: **Kyle P. Taylor**, Greenfield, MN (US); **Jerome K. Grudem, Jr.**, Rogers, MN (US); **Celeste L. Huster**, Blaine, MN (US)

(73) Assignee: **Torax Medical, Inc.**, Shoreview, MN (US)

(**) Term: **15 Years**

(21) Appl. No.: **29/638,804**

(22) Filed: **Mar. 1, 2018**

(51) **LOC (12) Cl.** **24-02**

(52) **U.S. Cl.**
USPC **D24/133**

(58) **Field of Classification Search**
USPC D24/133, 138, 112, 113, 130, 134, 135, D24/145, 146, 140, 147
CPC A61B 17/2909; A61B 17/0469; A61B 17/0483; A61B 17/0485; A61B 1/313; A61B 1/3132; A61B 1/3135; A61B 1/3137; A61B 1/317; A61B 1/32
See application file for complete search history.

(56) **References Cited**

U.S. PATENT DOCUMENTS

D202,754 S *	11/1965	Naftolin et al.	D24/114
D303,010 S *	8/1989	Jabbusch	D24/114
D350,605 S *	9/1994	Williams	D24/133
5,364,365 A *	11/1994	Wortrich	A61B 17/3496 604/158
5,499,997 A *	3/1996	Sharpe	A61B 17/221 606/205
D388,171 S *	12/1997	Fekete	D24/133
D403,063 S *	12/1998	Brandhorst	D24/113
6,695,772 B1 *	2/2004	Bon	A61B 17/3421 600/114
7,175,589 B2	2/2007	Deem et al.		
D561,896 S *	2/2008	Jones	D24/130

(Continued)

OTHER PUBLICATIONS

Medical product outsourcing Magazine. Link: https://www.mpo-mag.com/contents/view_breaking-news/2017-06-20/fda-clears-bds-customizable-micro-laparoscopic-instruments. Jun. 20, 2017. FDA Clears BD's Customizable Micro-Laparoscopic Instruments. (Year: 2017).*

(Continued)

Primary Examiner — Susan Bennett Hattan

Assistant Examiner — Lauren D McVey

(74) *Attorney, Agent, or Firm* — Frost Brown Todd LLC

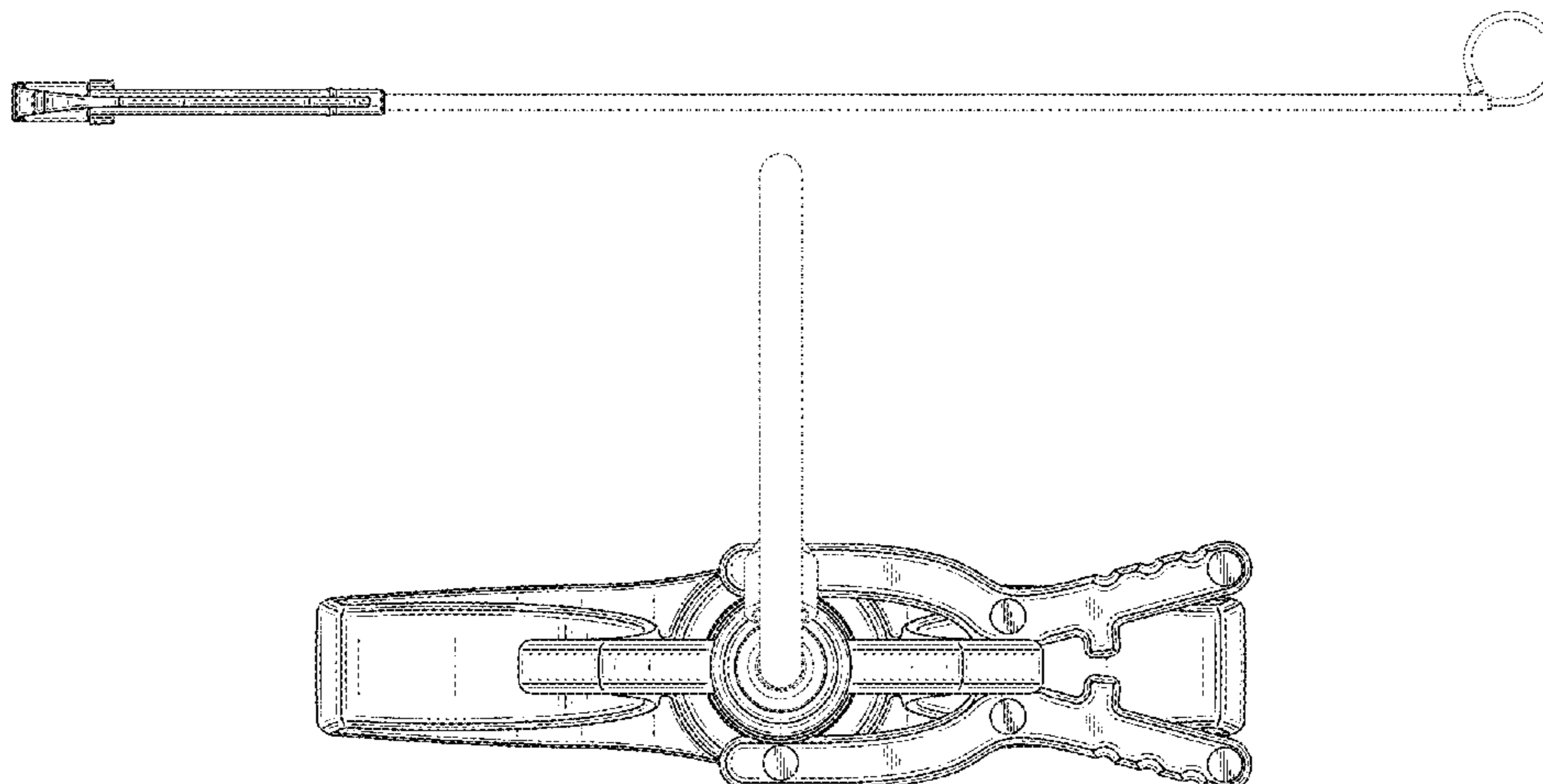
(57) **CLAIM**

The ornamental design for a laparoscopic sizing instrument, as shown and described.

DESCRIPTION

FIG. 1 is a top perspective view of a laparoscopic sizing instrument, showing our new design;
FIG. 2 is a top plan view of the laparoscopic sizing instrument of FIG. 1;
FIG. 3 is a left elevation view of the laparoscopic sizing instrument of FIG. 1;
FIG. 4 is a bottom plan view of the laparoscopic sizing instrument of FIG. 1;
FIG. 5 is a right elevation view of the laparoscopic sizing instrument of FIG. 1;
FIG. 6 is a front elevation view of the laparoscopic sizing instrument of FIG. 1; and,
FIG. 7 is a rear elevation view of the laparoscopic sizing instrument of FIG. 1.
The broken lines immediately adjacent to the shaded areas depict the bounds of the claimed design, while all other broken lines are directed to environment. The broken lines form no part of the claimed design.

1 Claim, 5 Drawing Sheets



(56)

References Cited

U.S. PATENT DOCUMENTS

7,695,427 B2 4/2010 Kugler et al.
8,070,670 B2 12/2011 Deem et al.
D667,111 S * 9/2012 Robinson D24/133
8,734,475 B2 5/2014 Ekvall et al.
D828,653 S * 9/2018 Penland D30/199
2006/0253048 A1 * 11/2006 Jones A61M 25/09041
600/585
2018/0161558 A1 * 6/2018 Penland A61M 35/003

OTHER PUBLICATIONS

Non-Provisional U.S. Appl. No. 15/908,875.
Design U.S. Appl. No. 29/638,805.
Non-Provisional U.S. Appl. No. 15/664,665, entitled "Method for Assisting a Sphincter," filed Jul. 31, 2017.
Non-Provisional U.S. Appl. No. 15/908,875, entitled "Laparoscopic Sizing Instrument," filed Mar. 1, 2018.
Design U.S. Appl. No. 29/638,805, entitled "Laparoscopic Sizing Instrument," filed Mar. 1, 2018.

* cited by examiner

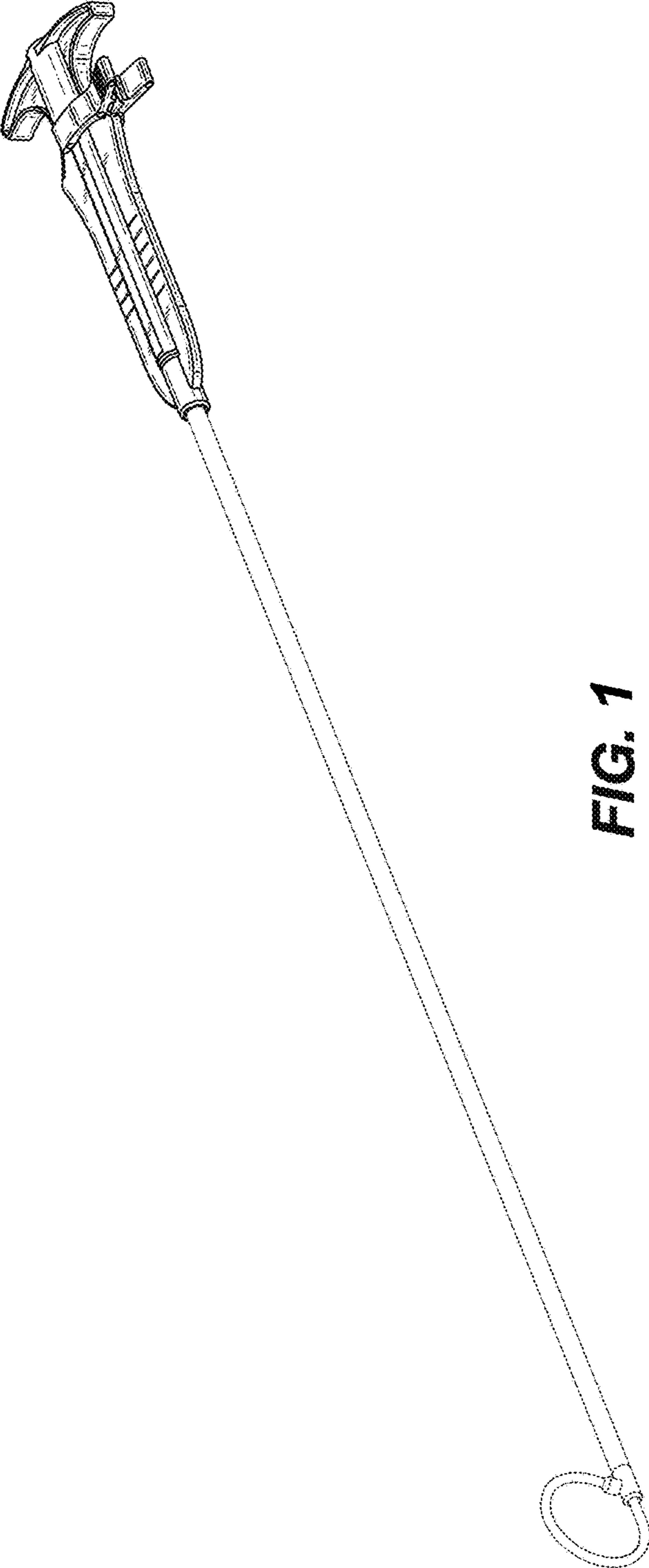


FIG. 1

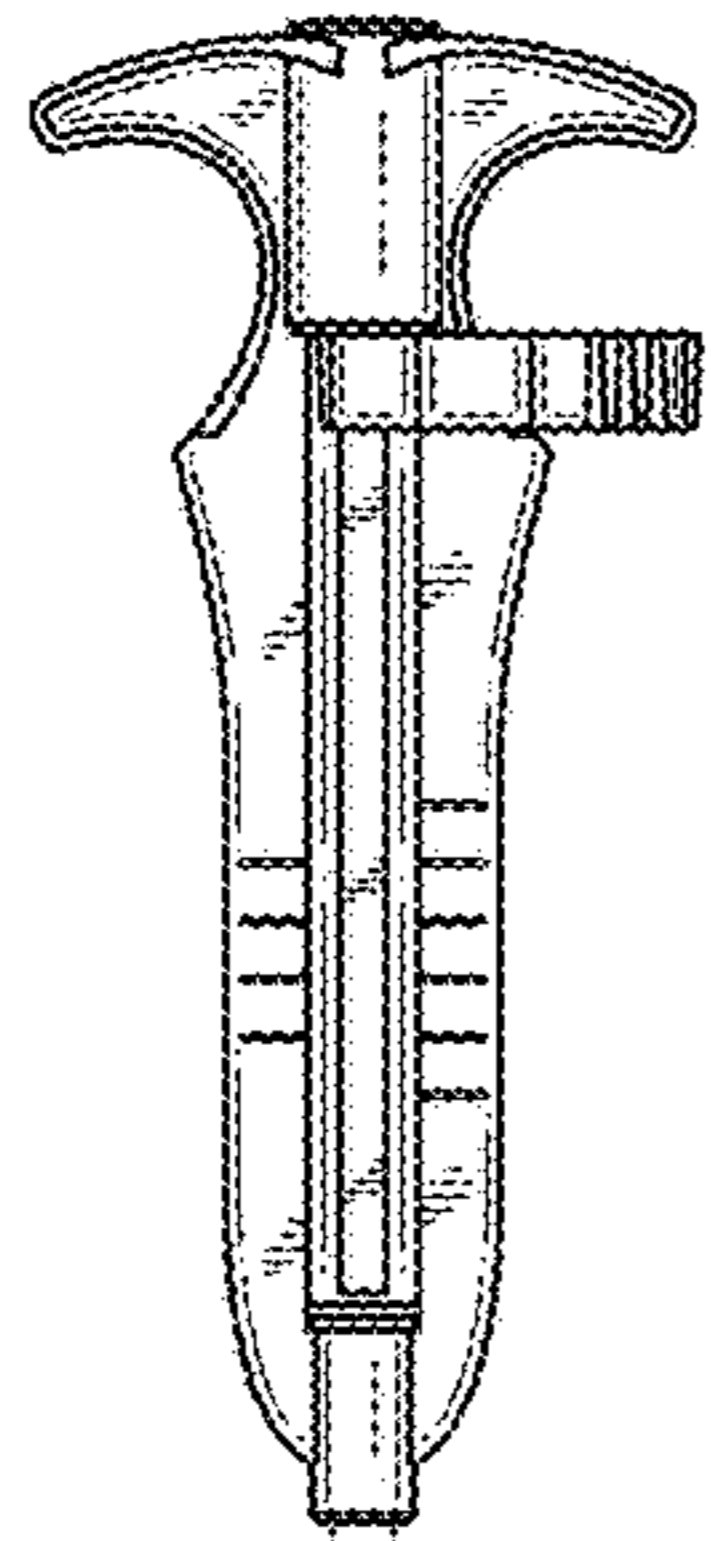


FIG. 2

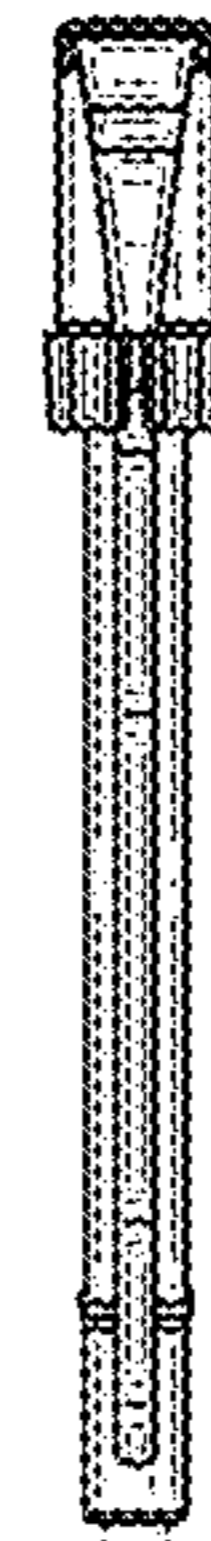


FIG. 3

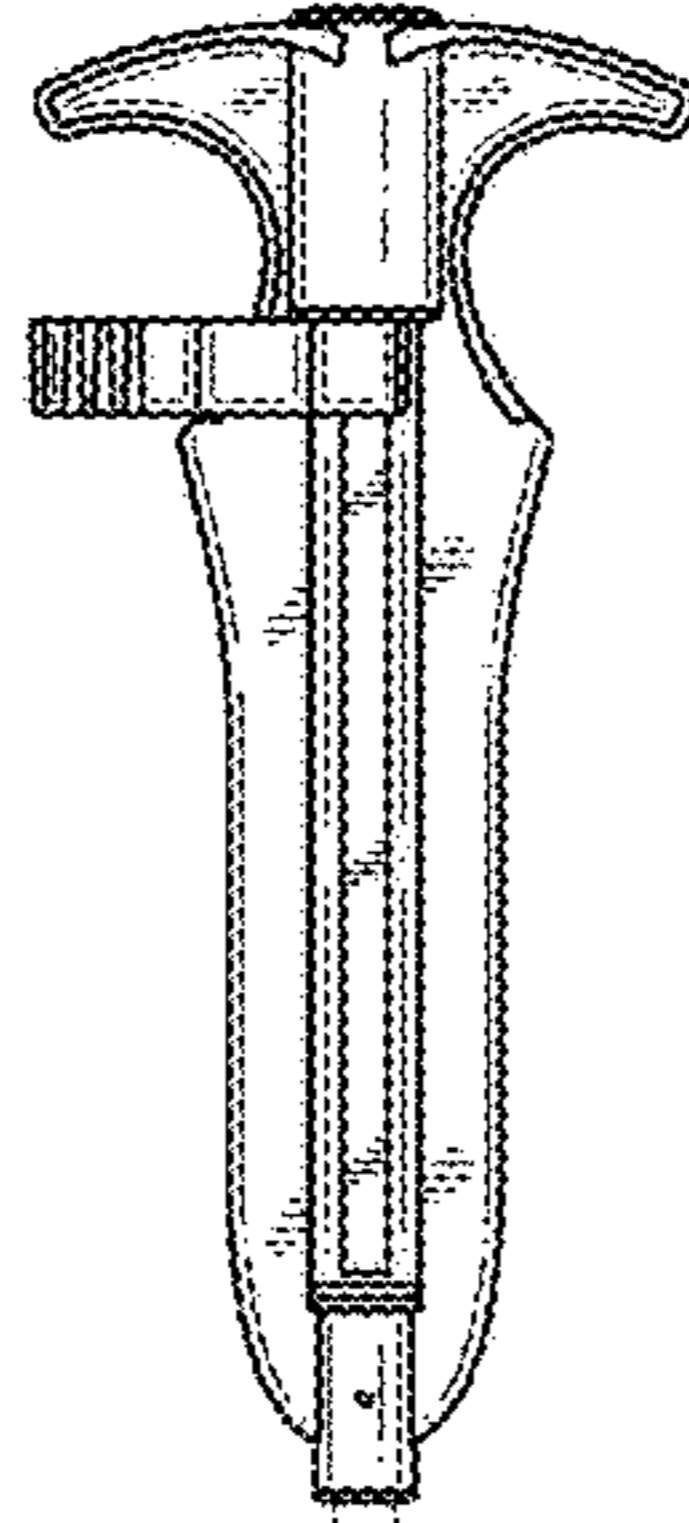


FIG. 4

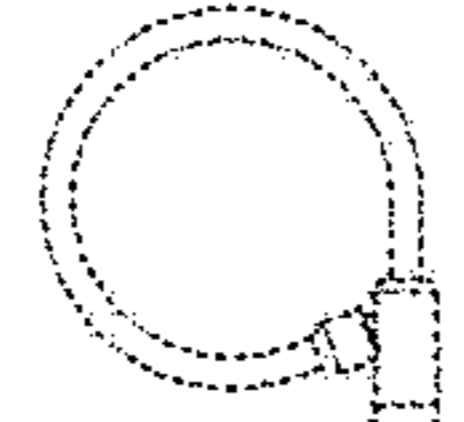


FIG. 5

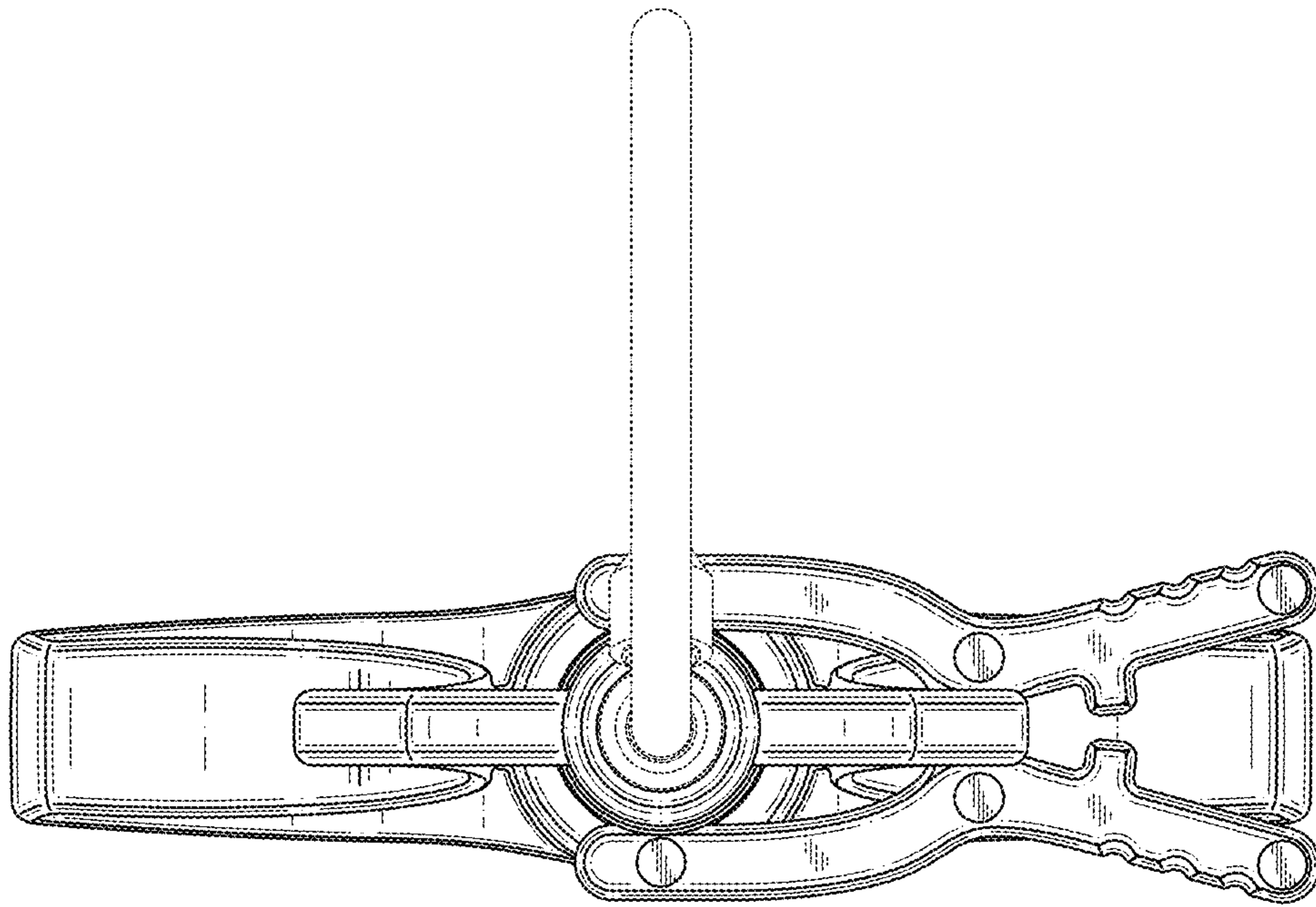


FIG. 6

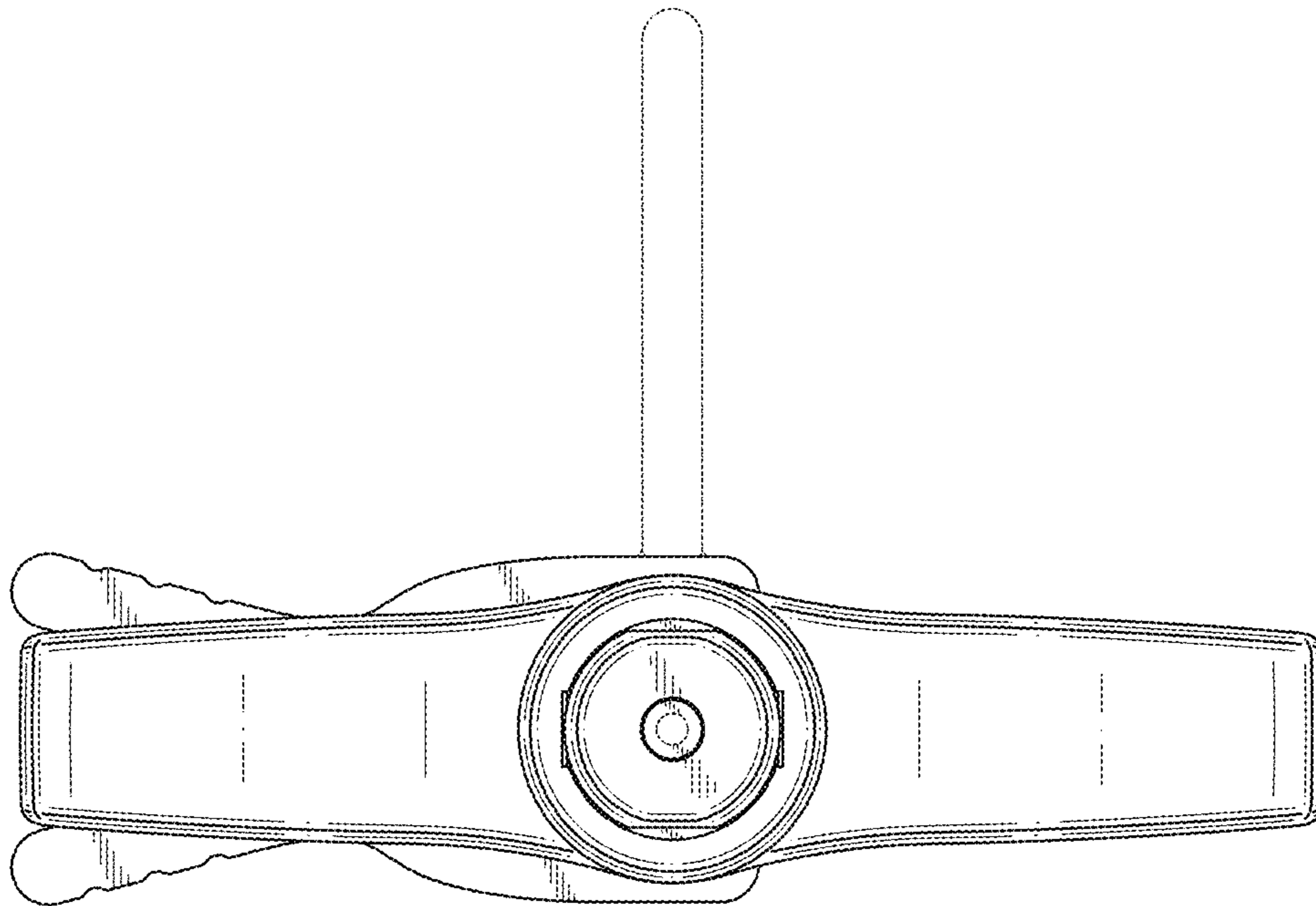


FIG. 7