



US00D856512S

(12) **United States Design Patent** (10) **Patent No.:** **US D856,512 S**
Cowart et al. (45) **Date of Patent:** **** Aug. 13, 2019**

- (54) **CANISTER LID** D644,317 S * 8/2011 Tsao D24/108
- 8,172,832 B1 * 5/2012 Gonzalez A61M 1/0001
- (71) Applicant: **DeRoyal Industries, Inc.**, Powell, TN (US) 604/317
- D678,502 S * 3/2013 Schmidt D24/108
- D679,807 S * 4/2013 Burgess D24/121
- (72) Inventors: **Walter C. Cowart**, Blaine, TN (US); D687,943 S * 8/2013 Kobayashi D24/108
- Randall Harris**, Knoxville, TN (US) 8,887,770 B1 * 11/2014 Shippert A61M 1/0001
- 141/234
- (73) Assignee: **DEROYAL INDUSTRIES, INC.**, 9,033,943 B2 * 5/2015 Stubber A61M 1/0035
- Powell, TN (US) 604/320
- (**) Term: **15 Years** D808,037 S * 1/2018 Gavlak D24/224
- D835,778 S * 12/2018 Mozzicato D24/121
- D836,774 S * 12/2018 Ross D24/121
- D837,976 S * 1/2019 Kaye D24/121
- D839,421 S * 1/2019 Baldauf D24/127
- (21) Appl. No.: **29/653,855** 2011/0139667 A1 6/2011 Burgess et al.
- (22) Filed: **Jun. 19, 2018**

* cited by examiner

Related U.S. Application Data

- (63) Continuation of application No. 16/008,794, filed on Jun. 14, 2018.
- (51) **LOC (12) Cl.** **24-04**
- (52) **U.S. Cl.**
- USPC **D24/121**
- (58) **Field of Classification Search**
- USPC D24/121, 123, 224; 604/317-325
- CPC B65D 41/04; B65D 2251/023; B65D 41/0485; B65D 41/3428
- See application file for complete search history.

Primary Examiner — David G Muller

(74) *Attorney, Agent, or Firm* — Luedeka Neely Group, PC

(57) **CLAIM**

The ornamental design for a canister lid, as shown and described.

DESCRIPTION

FIG. 1 is an upper perspective view of a canister lid of my new design;

FIG. 2 is a top plan view of FIG. 1.

FIG. 3 is a bottom plan view of FIG. 1; and,

FIG. 4 is another top plan view of FIG. 1, with broken lines added.

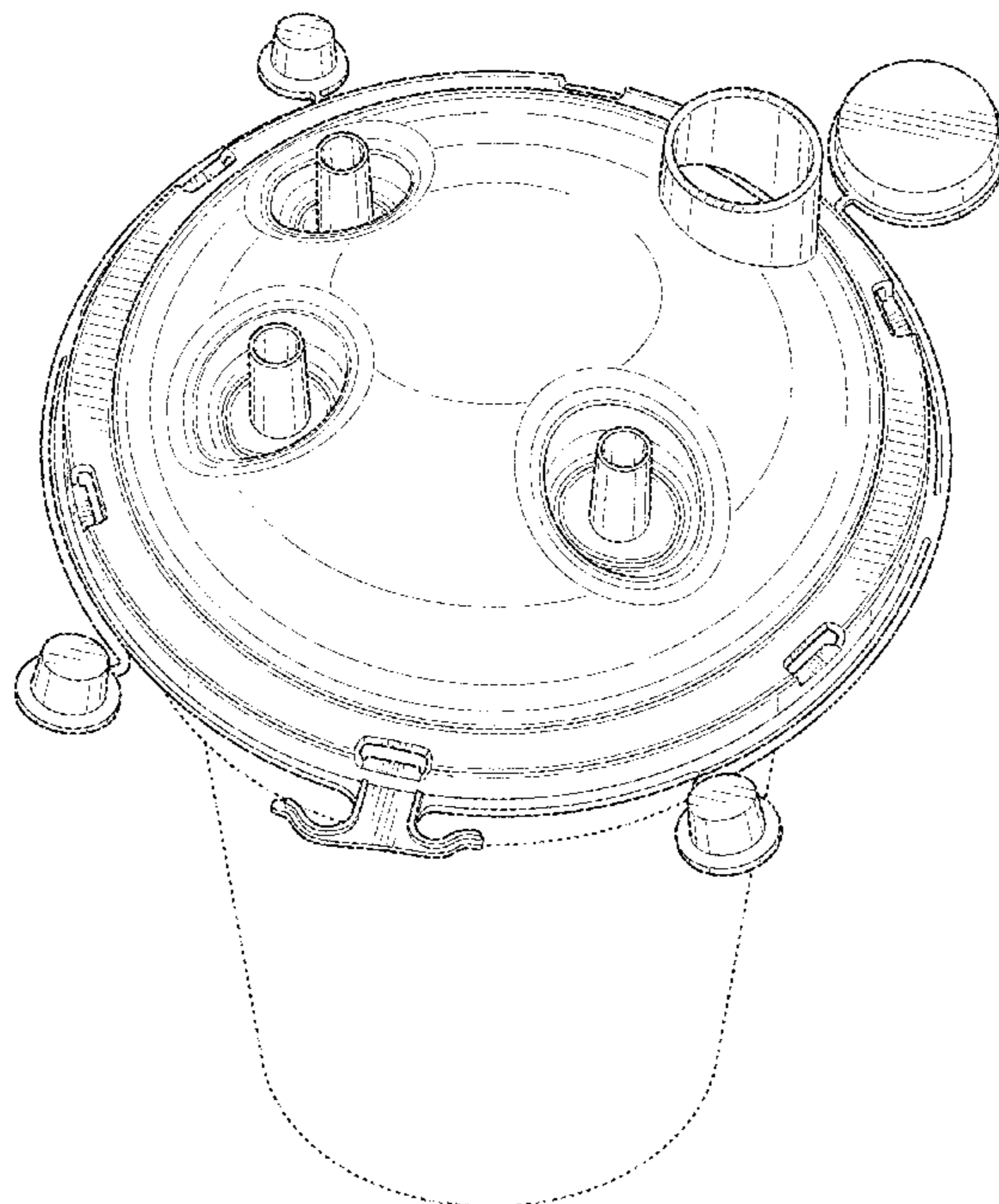
The broken lines in the drawings are included for the purpose of illustrating unclaimed features and form no part of the claimed design.

(56) **References Cited**

U.S. PATENT DOCUMENTS

- 4,474,302 A 10/1984 Goldberg et al.
- 5,725,115 A 3/1998 Bosl et al.
- 5,960,837 A 10/1999 Cude
- 7,806,879 B2 10/2010 Brooks et al.
- D641,866 S * 7/2011 Burgess D24/121

1 Claim, 4 Drawing Sheets



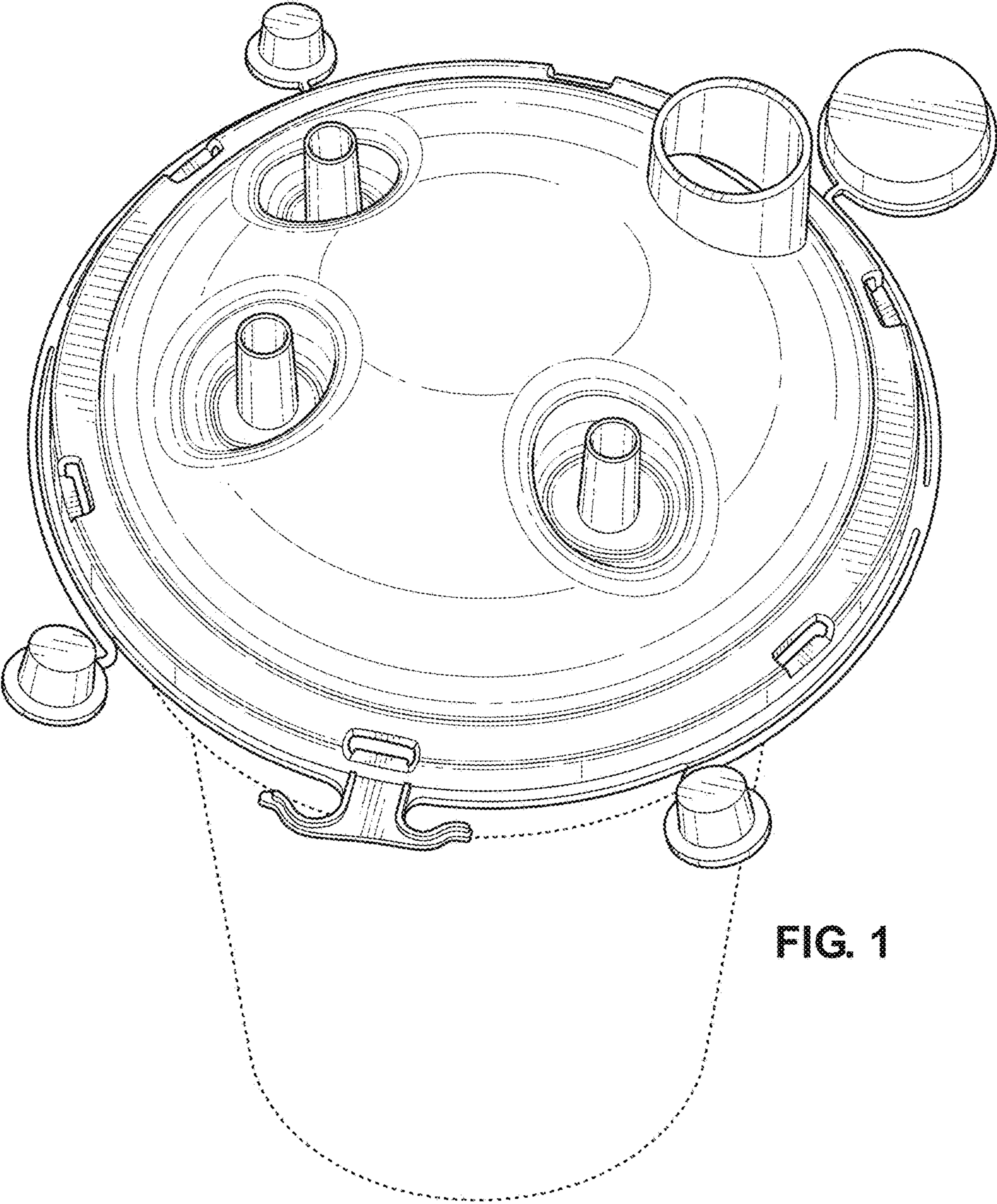


FIG. 1

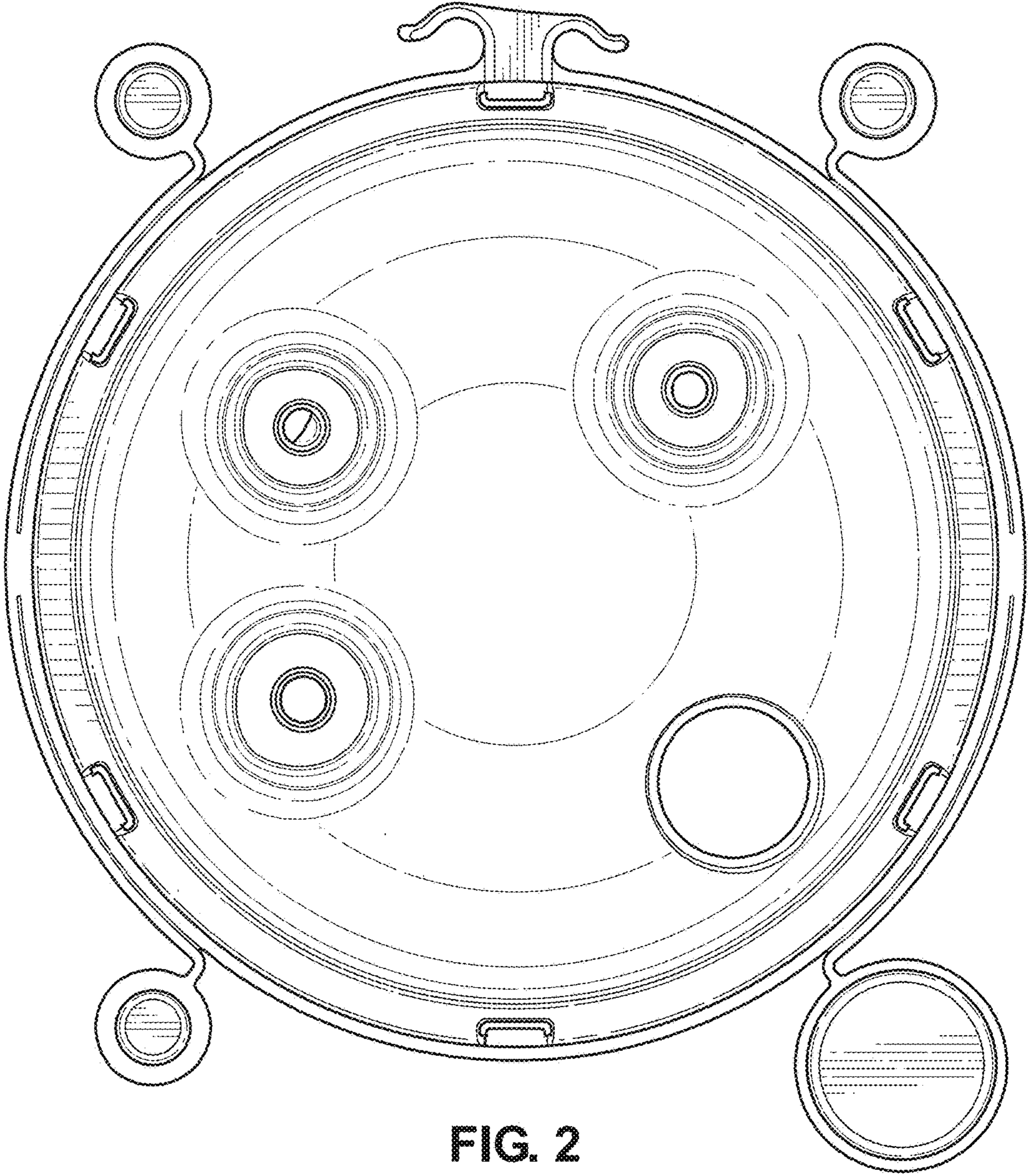


FIG. 2

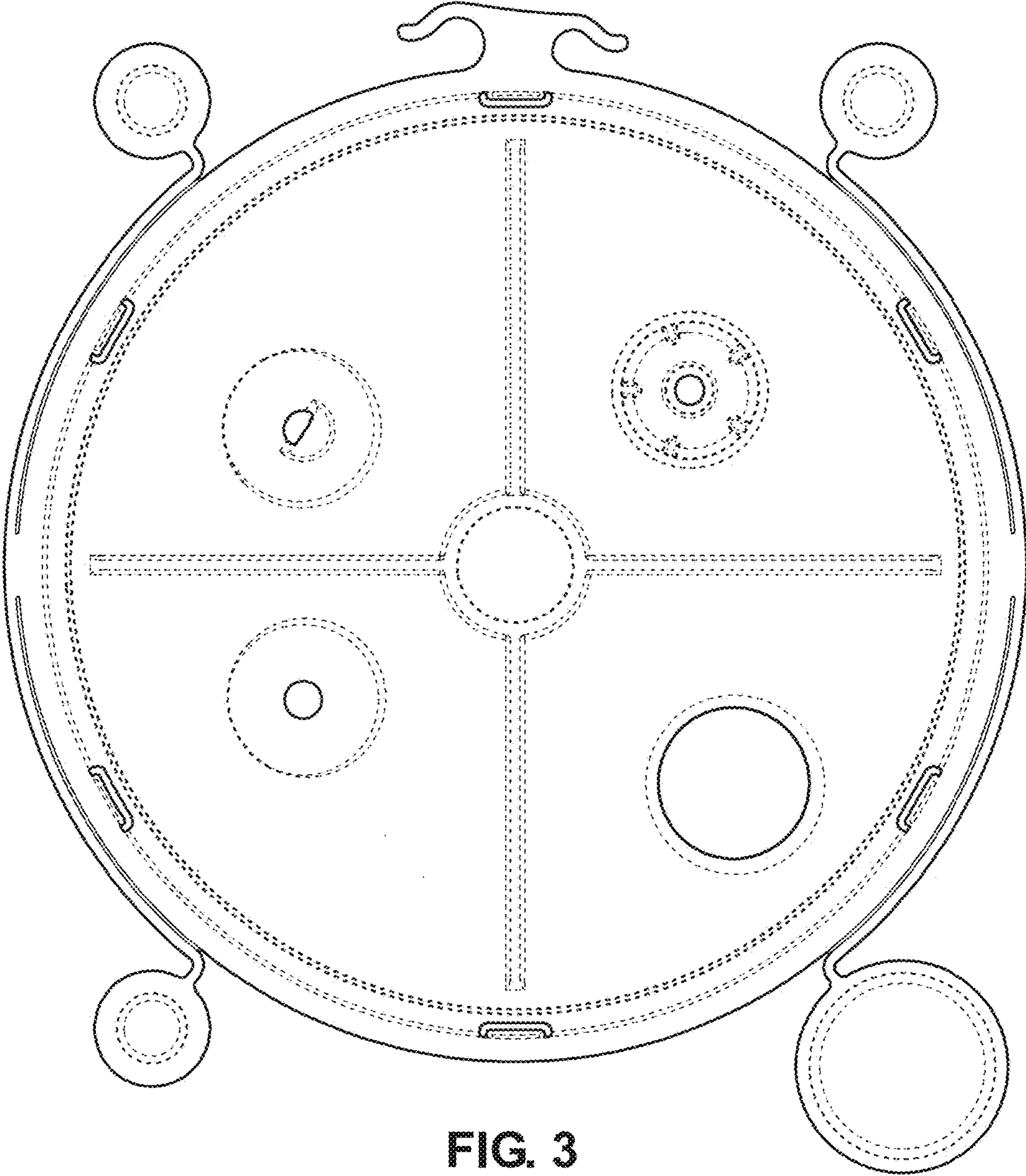


FIG. 3

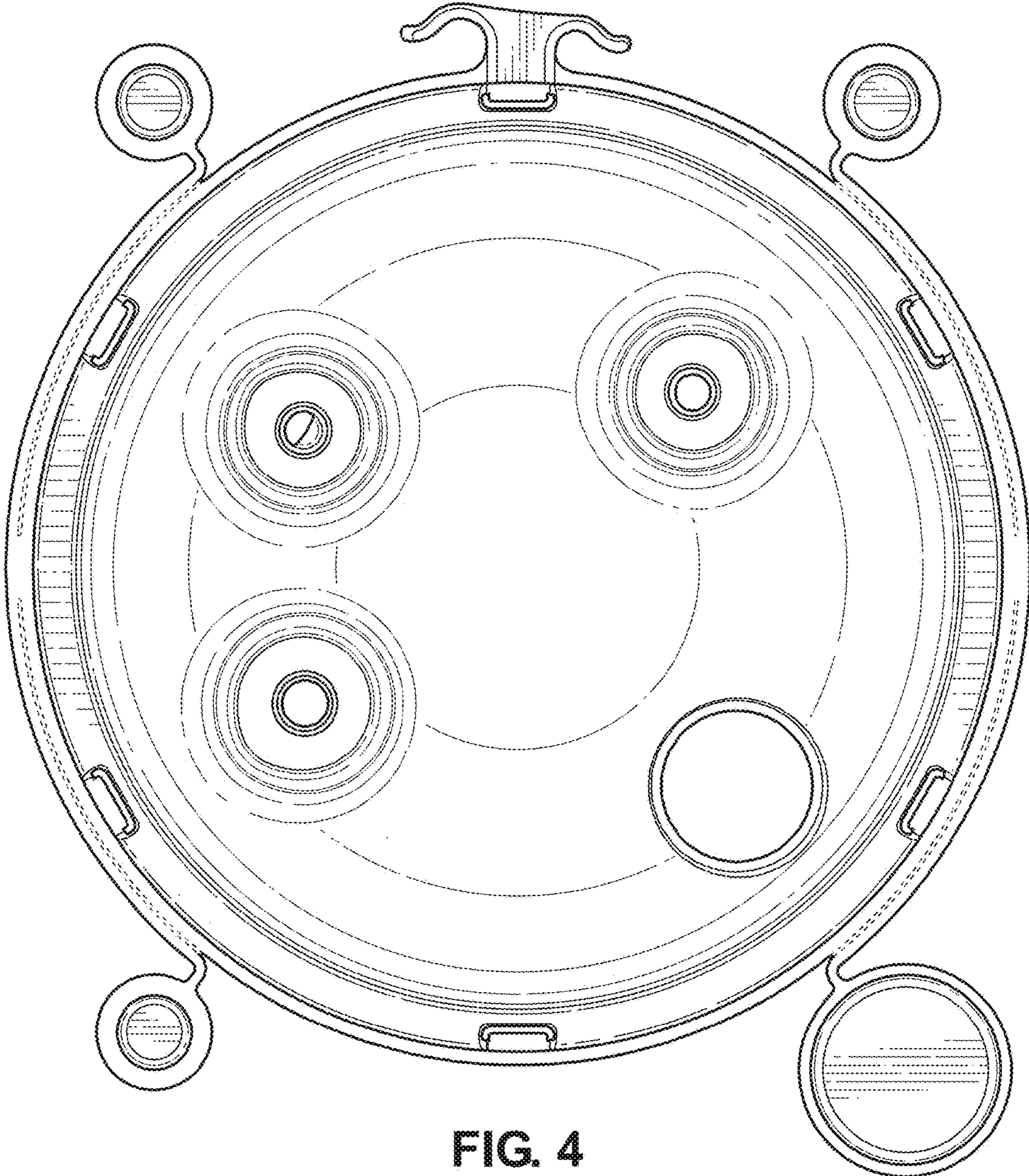


FIG. 4