



US00D856510S

(12) **United States Design Patent**  
**Scheirlinck et al.**

(10) **Patent No.:** **US D856,510 S**

(45) **Date of Patent:** **\*\* Aug. 13, 2019**

(54) **COMBINED ELBOW AND SWIVEL WITH A ROTATABLE PRESSURE PORT**

(71) Applicant: **Fisher & Paykel Healthcare Limited**,  
Auckland (NZ)

(72) Inventors: **Erik Robertus Scheirlinck**, Auckland  
(NZ); **Man Hei Jade Kwong**, Auckland  
(NZ)

(73) Assignee: **Fisher & Paykel Healthcare Limited**,  
Auckland (NZ)

(\*\*) Term: **15 Years**

(21) Appl. No.: **29/635,207**

(22) Filed: **Jan. 29, 2018**

(51) **LOC (12) Cl.** ..... **29-02**

(52) **U.S. Cl.**  
USPC ..... **D24/110.4**

(58) **Field of Classification Search**  
USPC .... D24/110, 110.4, 110.5, 110.6, 129, 110.1  
CPC ..... A61M 16/06; A61M 16/0816; A61M  
16/0683; A61M 16/0825; A61M 16/0622;  
A61M 16/0633; A61M 16/0833; A61M  
16/0616; A61M 16/08

See application file for complete search history.

(56) **References Cited**

**U.S. PATENT DOCUMENTS**

D556,899 S *	12/2007	Veliss .....	D24/110.1
D583,047 S *	12/2008	Chandran .....	D24/110.1
D619,701 S *	7/2010	Edwards .....	D24/110.1
D648,845 S *	11/2011	Omura .....	D24/110.1
D652,909 S *	1/2012	Smart .....	D24/110.1
8,887,726 B2 *	11/2014	Schulz .....	A61M 16/06 128/206.21
RE45,985 E *	4/2016	McAuley .....	D24/110.1
D817,478 S *	5/2018	Zoellner .....	D24/110.6

D819,801 S *	6/2018	Henry .....	D24/110.1
2008/0314389 A1 *	12/2008	Thomas .....	A61M 16/06 128/206.24
2009/0065729 A1 *	3/2009	Worboys .....	A61M 16/06 251/367
2009/0139527 A1 *	6/2009	Ng .....	A61M 16/06 128/206.26
2009/0260628 A1 *	10/2009	Flynn, Sr. ....	A61M 16/0078 128/203.28
2009/0260629 A1 *	10/2009	Yee .....	A61M 16/08 128/204.18
2014/0150798 A1 *	6/2014	Fong .....	A61M 16/0816 128/206.21
2015/0000671 A1 *	1/2015	Frerichs .....	A61M 16/0683 128/206.21
2015/0283349 A1 *	10/2015	McLaren .....	A61M 16/06 128/206.21
2017/0296770 A1 *	10/2017	Gunaratnam .....	A61M 16/06

(Continued)

*Primary Examiner* — Lilyana Bekic

(74) *Attorney, Agent, or Firm* — Knobbe, Martens, Olson & Bear, LLP

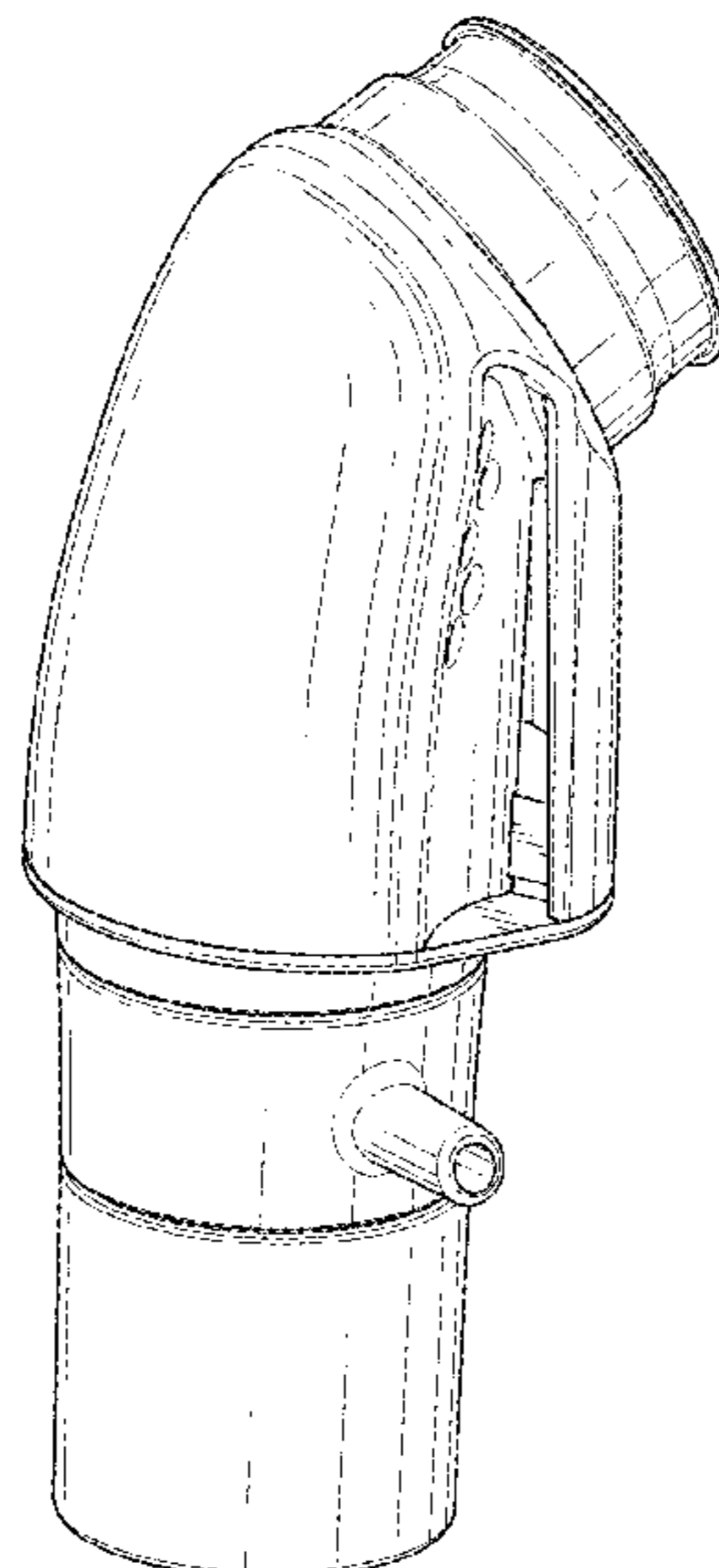
(57) **CLAIM**

The ornamental design for a combined elbow and swivel with a rotatable pressure port, as shown and described.

**DESCRIPTION**

FIG. 1 is a top, front, and right side perspective view of a combined elbow and swivel with a rotatable pressure port embodying our new design;  
FIG. 2 is a front view thereof;  
FIG. 3 is a rear view thereof;  
FIG. 4 is a left side view thereof;  
FIG. 5 is a right side view thereof;  
FIG. 6 is a top view thereof;  
FIG. 7 is a bottom view thereof; and,  
FIG. 8 is a cross sectional view taken along line 8-8 of FIG. 7.

**1 Claim, 6 Drawing Sheets**



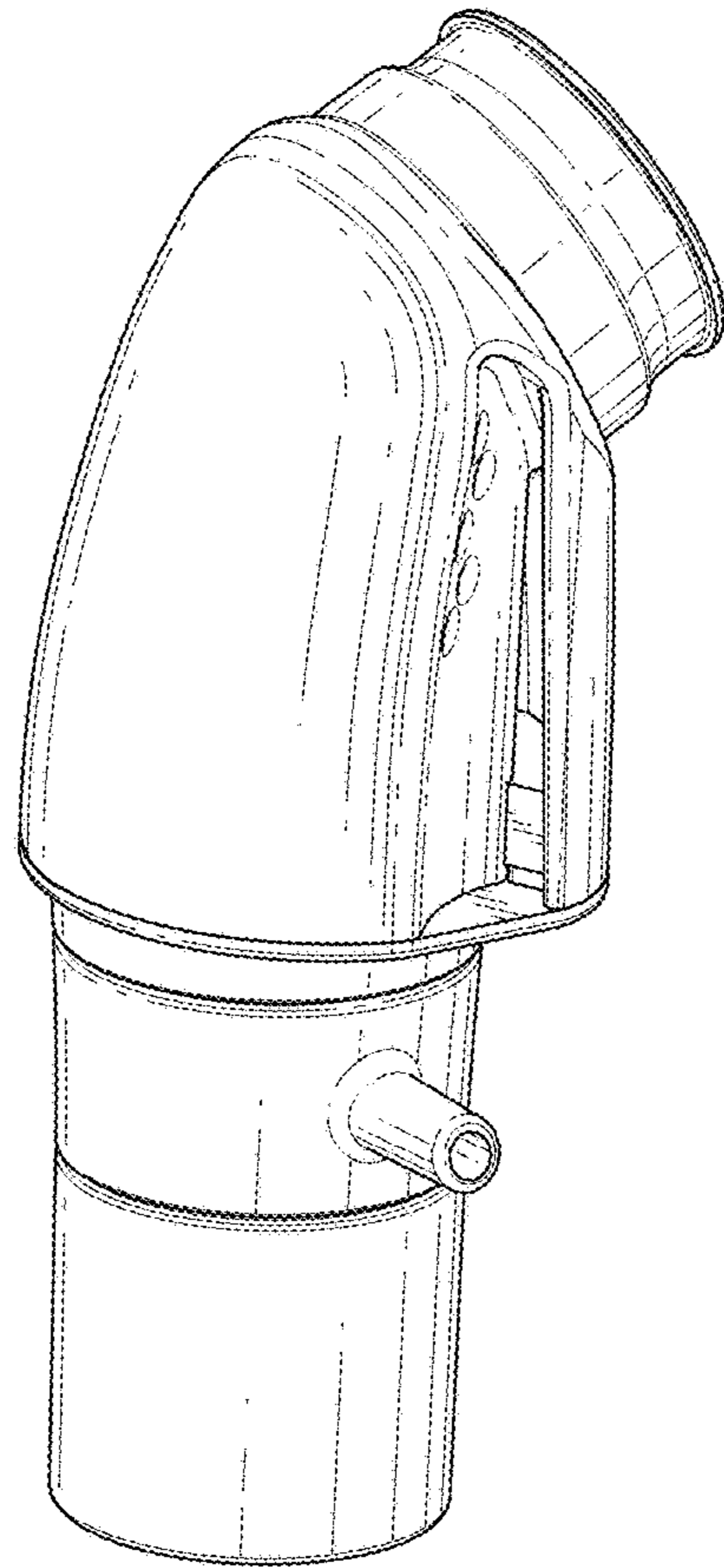
(56)

**References Cited**

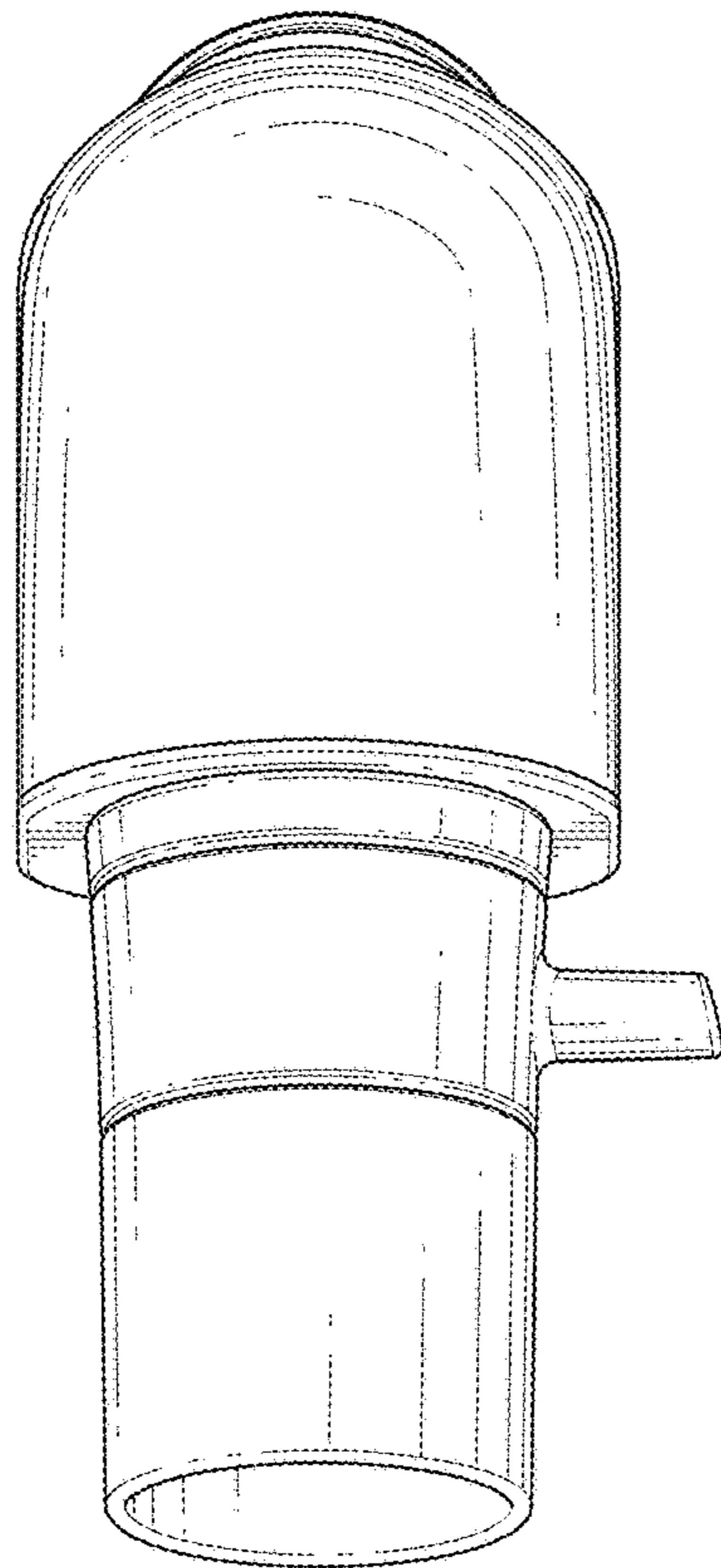
U.S. PATENT DOCUMENTS

2018/0185598 A1\* 7/2018 Olsen ..... A62B 18/08  
2018/0207389 A1\* 7/2018 Fyfe ..... A61M 16/0858

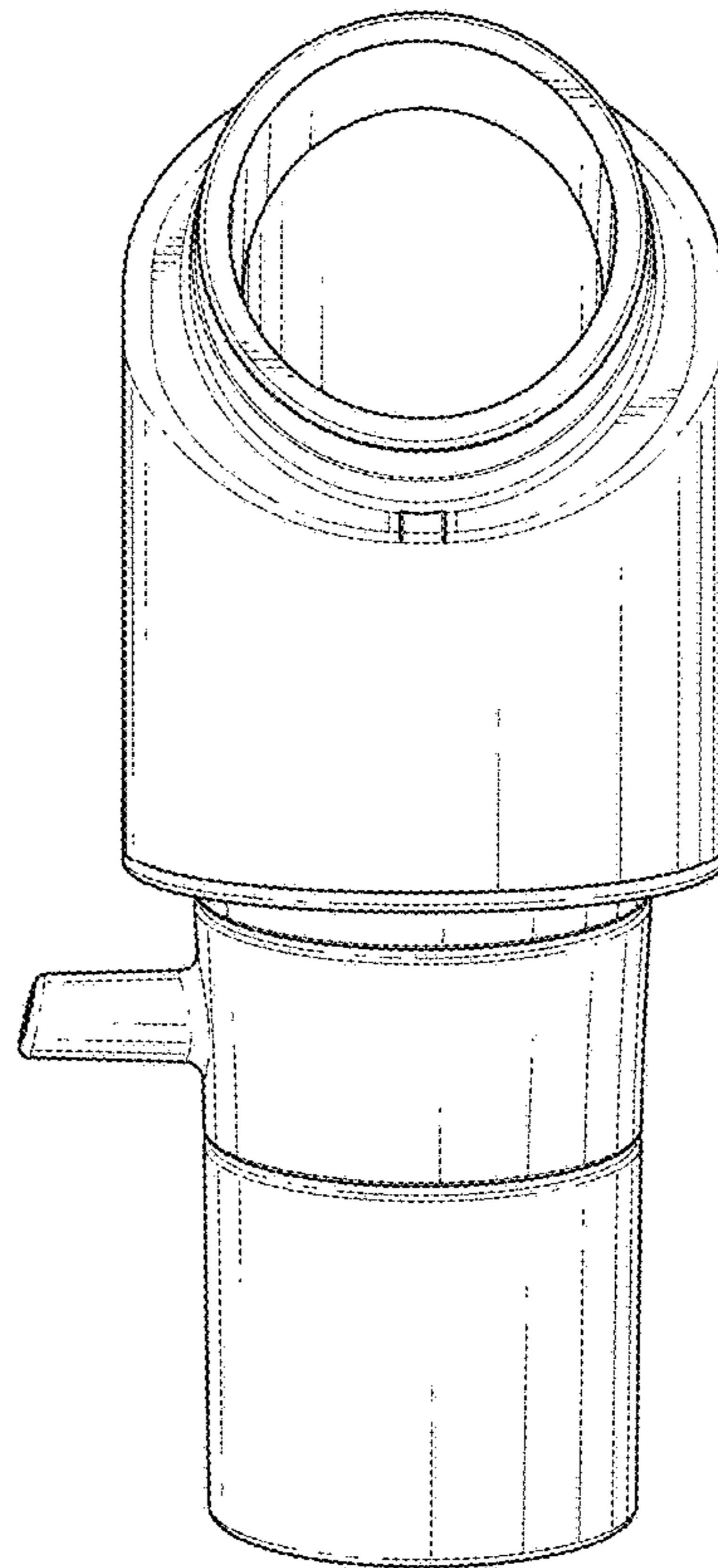
\* cited by examiner



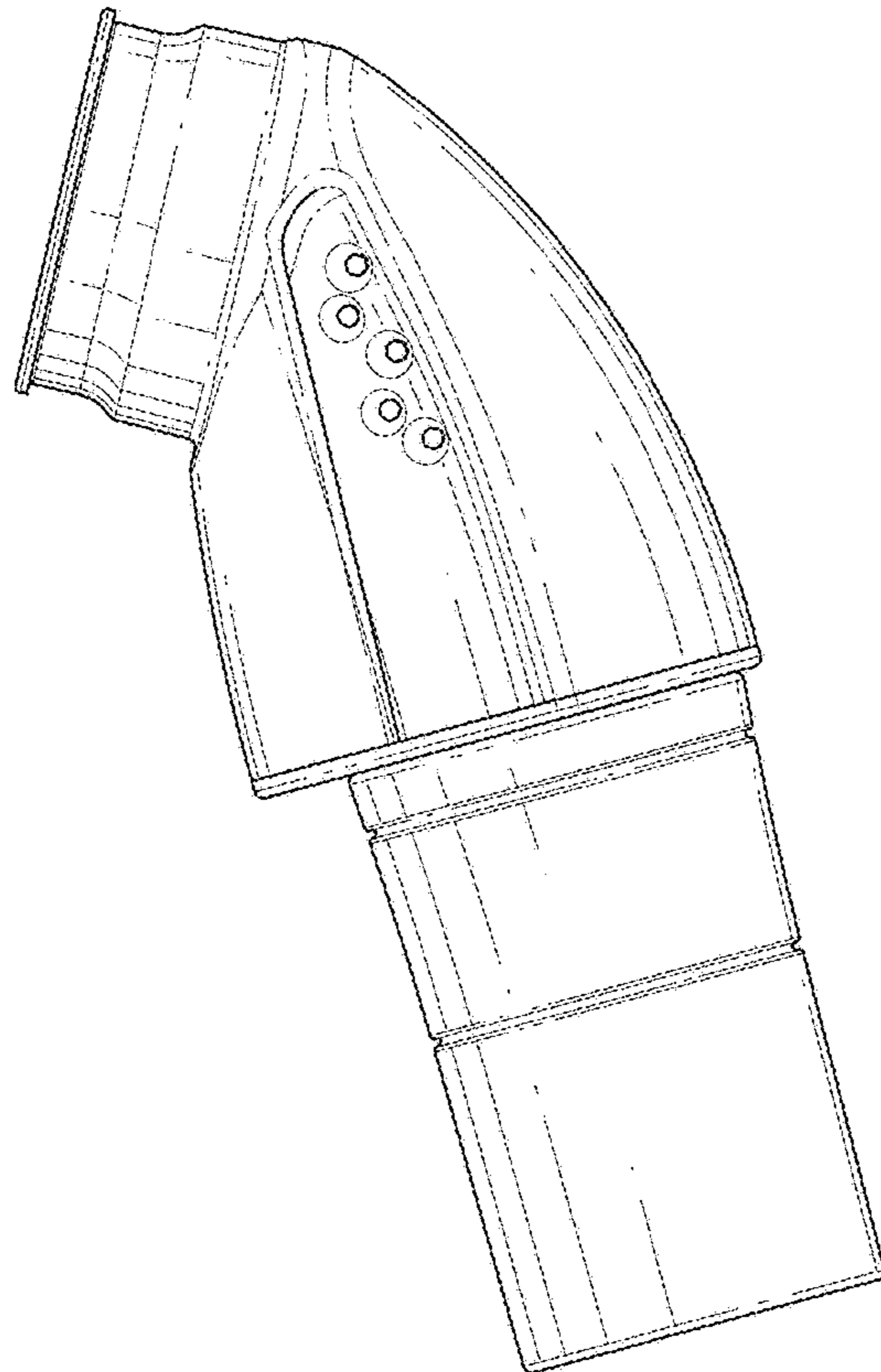
*FIG. 1*



*FIG. 2*



*FIG. 3*



*FIG. 4*

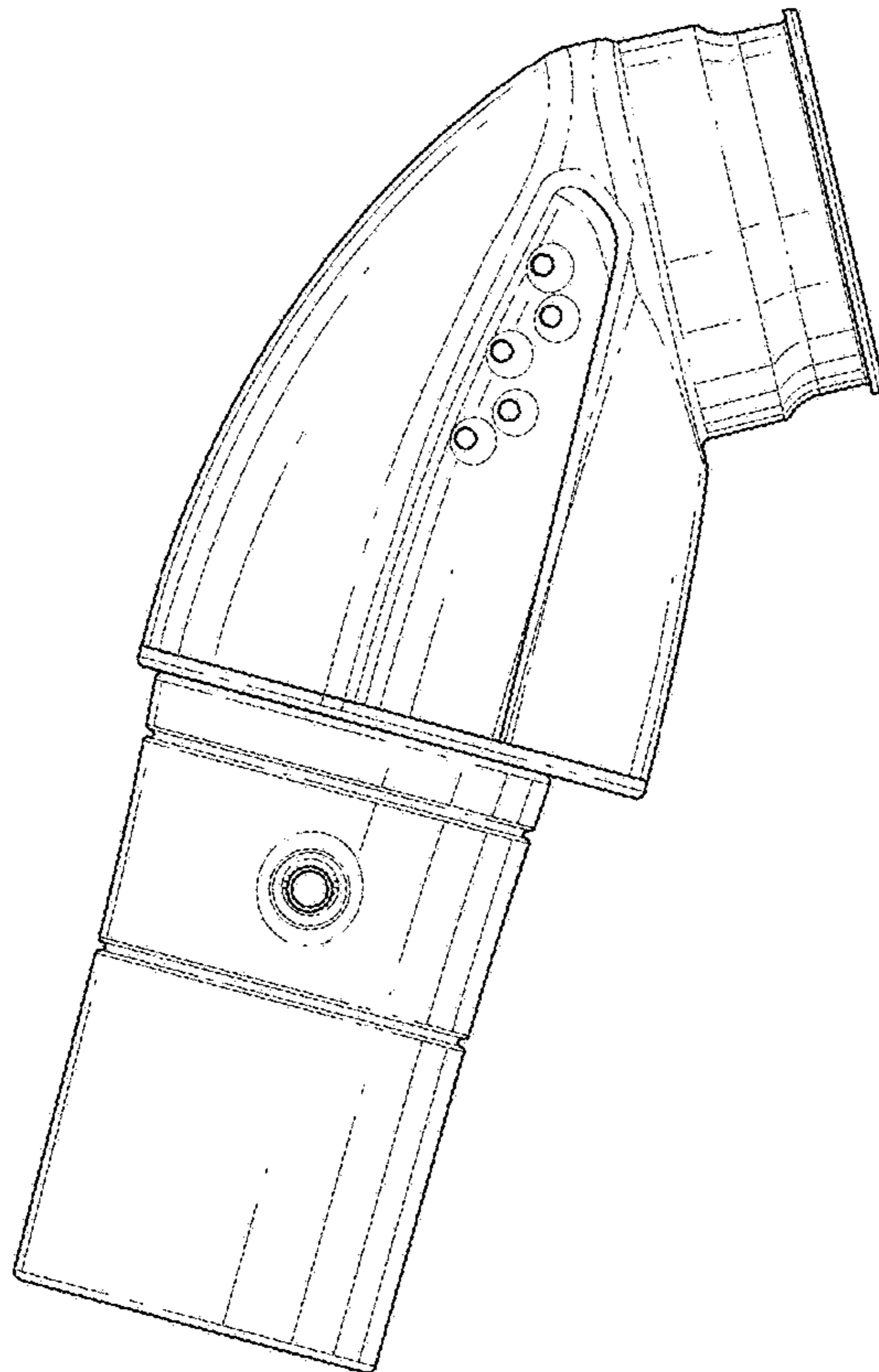


FIG. 5

FIG. 6

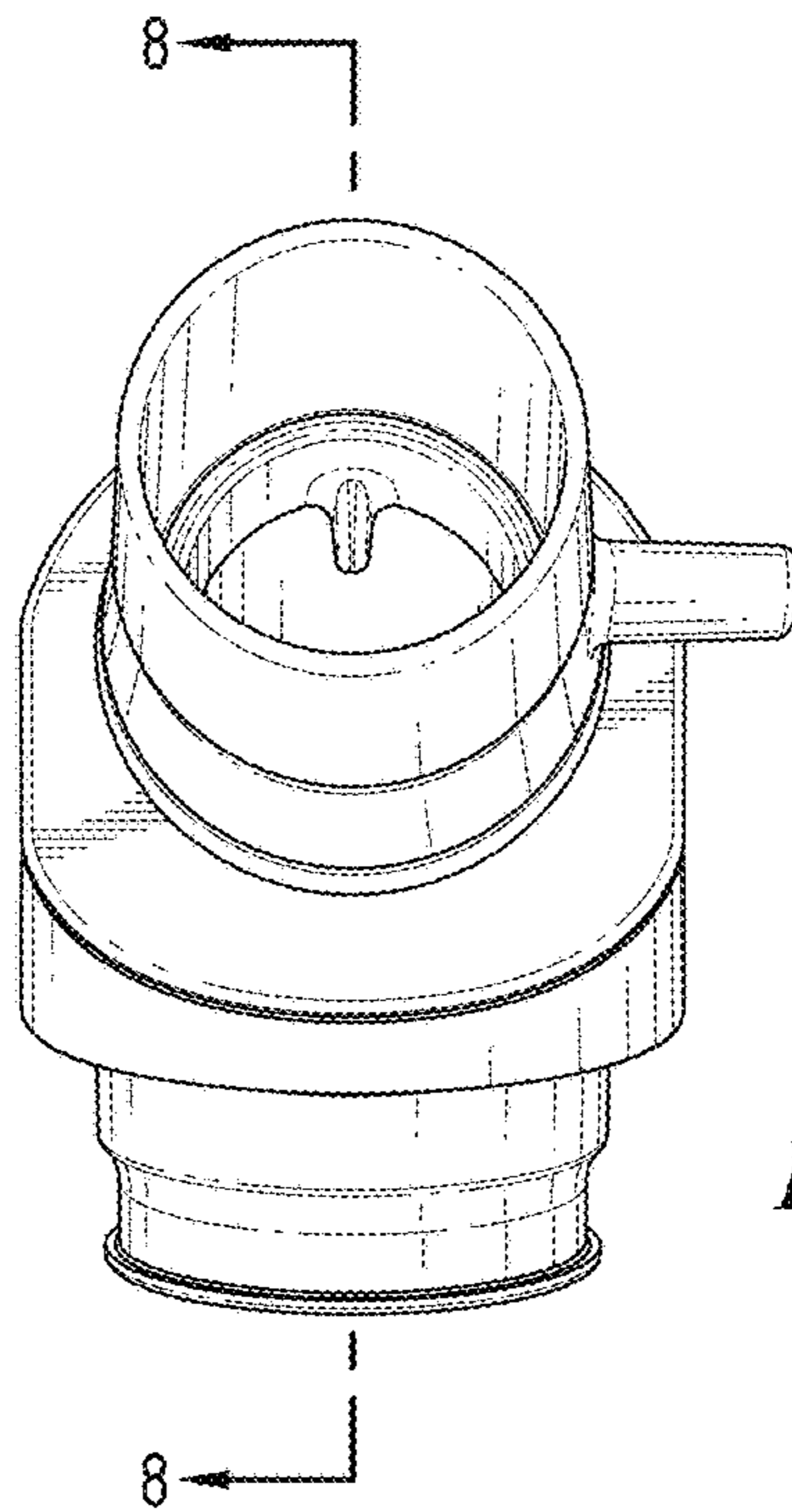
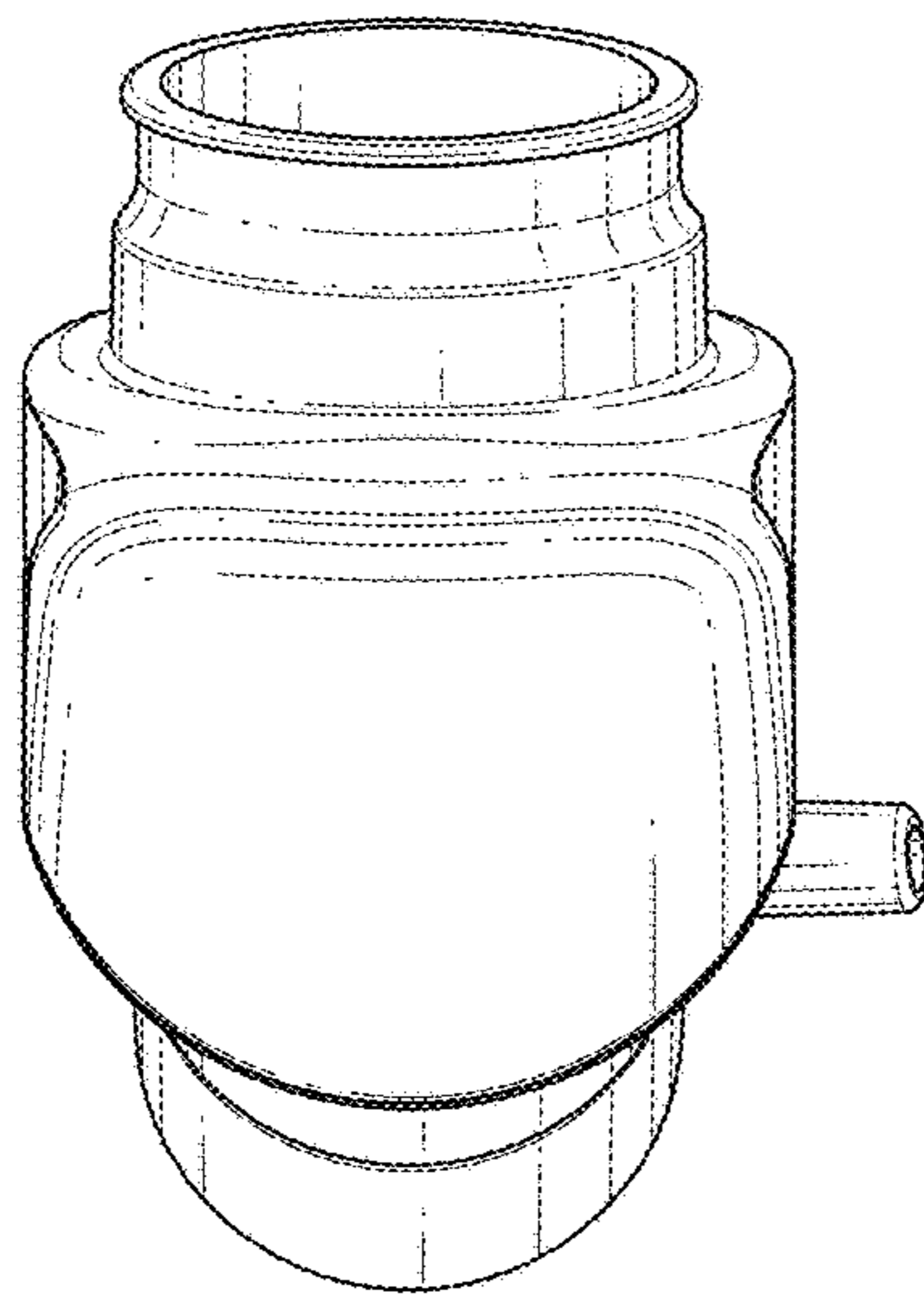


FIG. 7

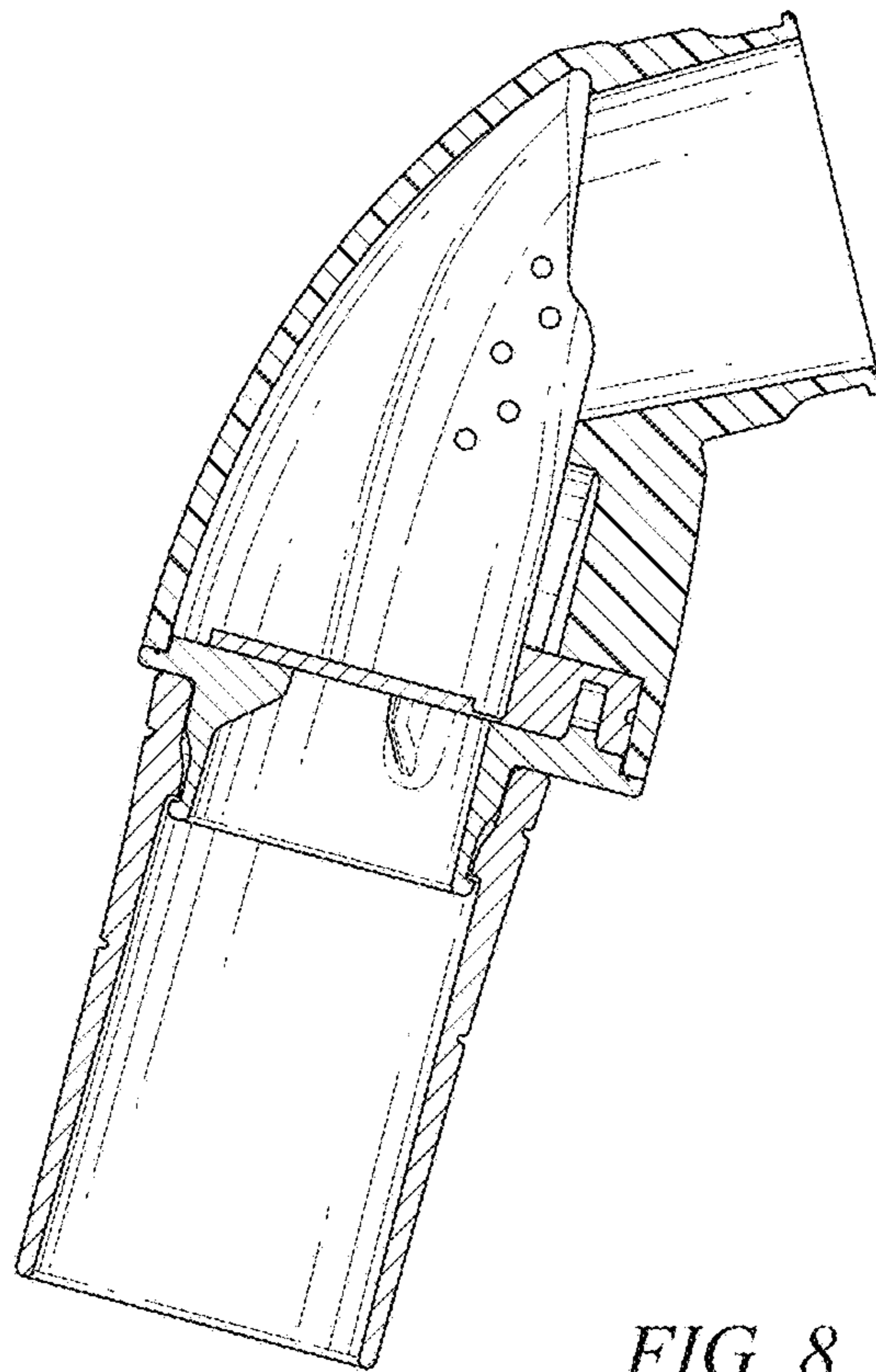


FIG. 8