



US00D856509S

(12) **United States Design Patent** (10) **Patent No.:** **US D856,509 S**
Lange et al. (45) **Date of Patent:** **** Aug. 13, 2019**

(54) **PEDICLE SCREW** 8,926,670 B2 * 1/2015 Jackson A61B 17/7032
606/264

(71) Applicant: **COLIGNE AG, Zürich (CH)** 9,155,568 B2 * 10/2015 Biedermann A61B 17/7037
9,393,047 B2 * 7/2016 Jackson A61B 17/7037
9,453,526 B2 * 9/2016 Black A61B 17/7037
9,526,553 B2 * 12/2016 Bess A61B 17/7082
9,668,771 B2 * 6/2017 Jackson A61B 17/7002

(72) Inventors: **Robert Lange, Paris (FR); Jakob Funnemark, Zürich (CH); Vittoria Brighenti, Volketswil (CH); Tinashe Key, Burgdorf (CH); Pedro Luis Iserte Llacer, Schlieren (CH); Dirk Van Swaay, Zürich (CH)** 2006/0200128 A1 * 9/2006 Mueller A61B 17/7032
606/308
2006/0235393 A1 * 10/2006 Bono A61B 17/7032
606/278
2008/0262548 A1 10/2008 Lange
2009/0076550 A1 * 3/2009 Bernhardt, Jr. A61B 17/7032
606/246
2009/0082819 A1 * 3/2009 Blain A61B 17/7032
606/308
2009/0105716 A1 * 4/2009 Barrus A61B 17/7032
606/301

(**) Term: **15 Years**

(21) Appl. No.: **35/502,718**

(22) Filed: **Sep. 28, 2016**

(80) **Hague Agreement Data**

Int. Filing Date: **Sep. 28, 2016**
 Int. Reg. No.: **DM/093901**
 Int. Reg. Date: **Sep. 28, 2016**
 Int. Reg. Pub. Date: **Mar. 31, 2017**

(51) **LOC (12) Cl.** **29-02**

(52) **U.S. Cl.**
USPC **D24/110**

(58) **Field of Classification Search**
 USPC D24/171, 145, 155, 156
 CPC A61B 17/7032; A61B 17/7037; A61B 17/7082; A61B 17/7085; A61B 17/7035; A61B 17/8605; A61B 17/7034
 See application file for complete search history.

(56) **References Cited**

U.S. PATENT DOCUMENTS

6,565,565 B1 * 5/2003 Yuan A61B 17/7032
606/272
D642,270 S * 7/2011 McAfee D24/155
8,236,035 B1 8/2012 Bedor
8,852,239 B2 * 10/2014 Jackson A61B 17/7037
606/267

(Continued)

Primary Examiner — Eliza Z Bennett-Hattan
 (74) *Attorney, Agent, or Firm* — Browdy and Neimark, P.L.L.C.

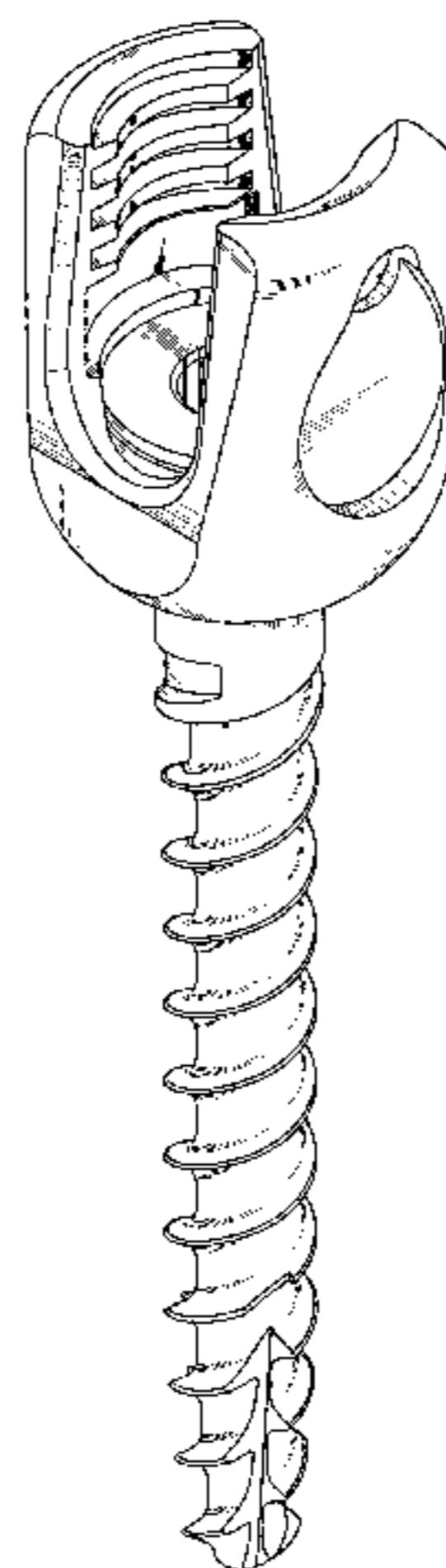
(57) **CLAIM**

The ornamental design for a pedicle screw, as shown and described.

DESCRIPTION

1. Pedicle screw
 Figure 1.1 is a first perspective view of a pedicle screw;
 Figure 1.2 is a front view of the pedicle screw according to figure 1.1;
 Figure 1.3 is a left side view of the pedicle screw according to figure 1.1;
 Figure 1.4 is a top view of the pedicle screw according to figure 1.1;
 Figure 1.5 is a bottom view of the pedicle screw according to figure 1.1; and
 Figure 1.6 is a second perspective view of the pedicle screw according to figure 1.1.
 No protection is claimed for the parts shown in broken lines.

1 Claim, 6 Drawing Sheets



(56)

References Cited

U.S. PATENT DOCUMENTS

2009/0105769 A1* 4/2009 Rock A61B 17/7032
606/308
2009/0105770 A1* 4/2009 Berrevoets A61B 17/7032
606/308
2012/0203288 A1 8/2012 Lange

* cited by examiner

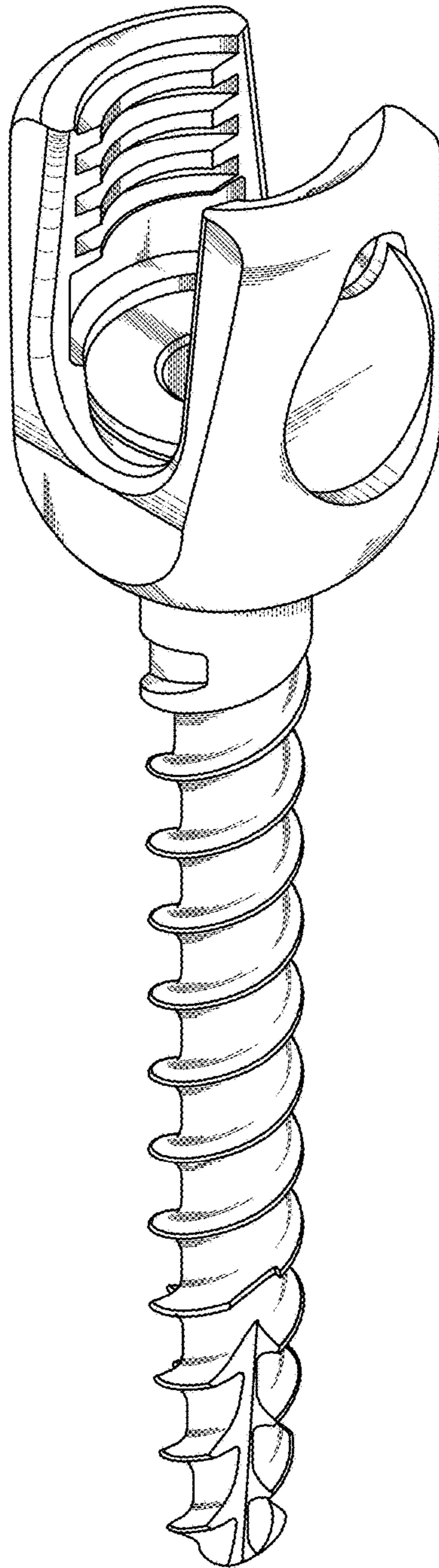


FIG. 1.1

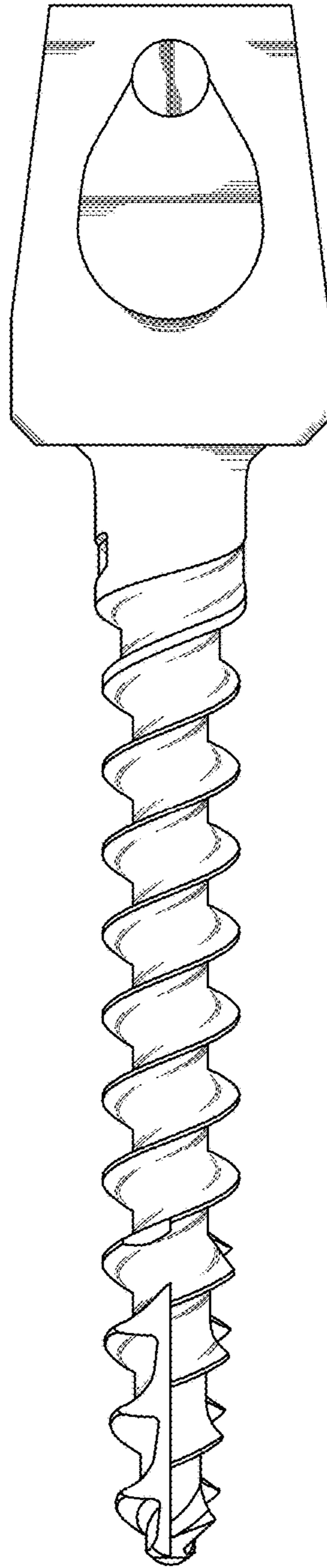


FIG. 1.2

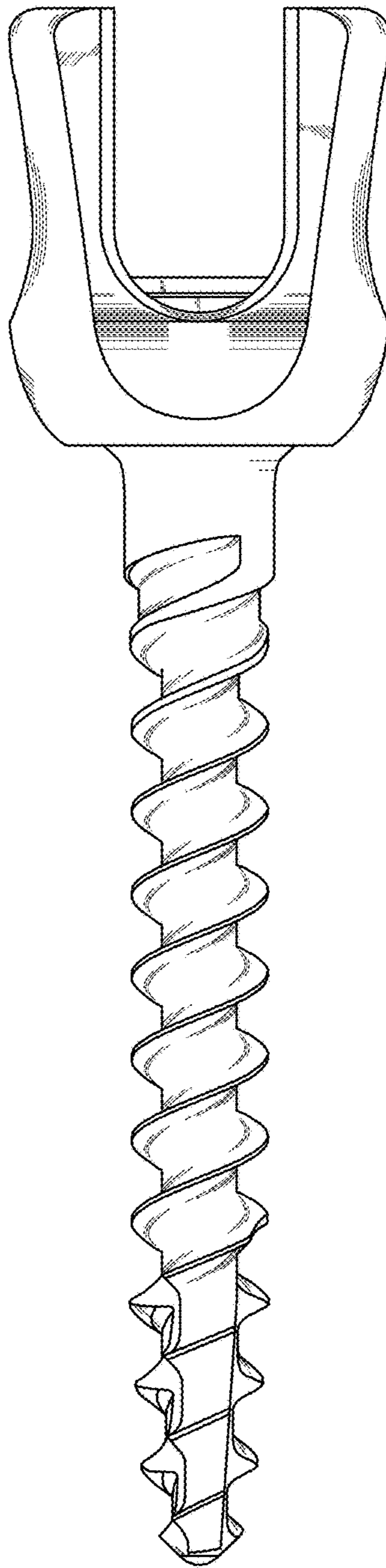


FIG. 1.3

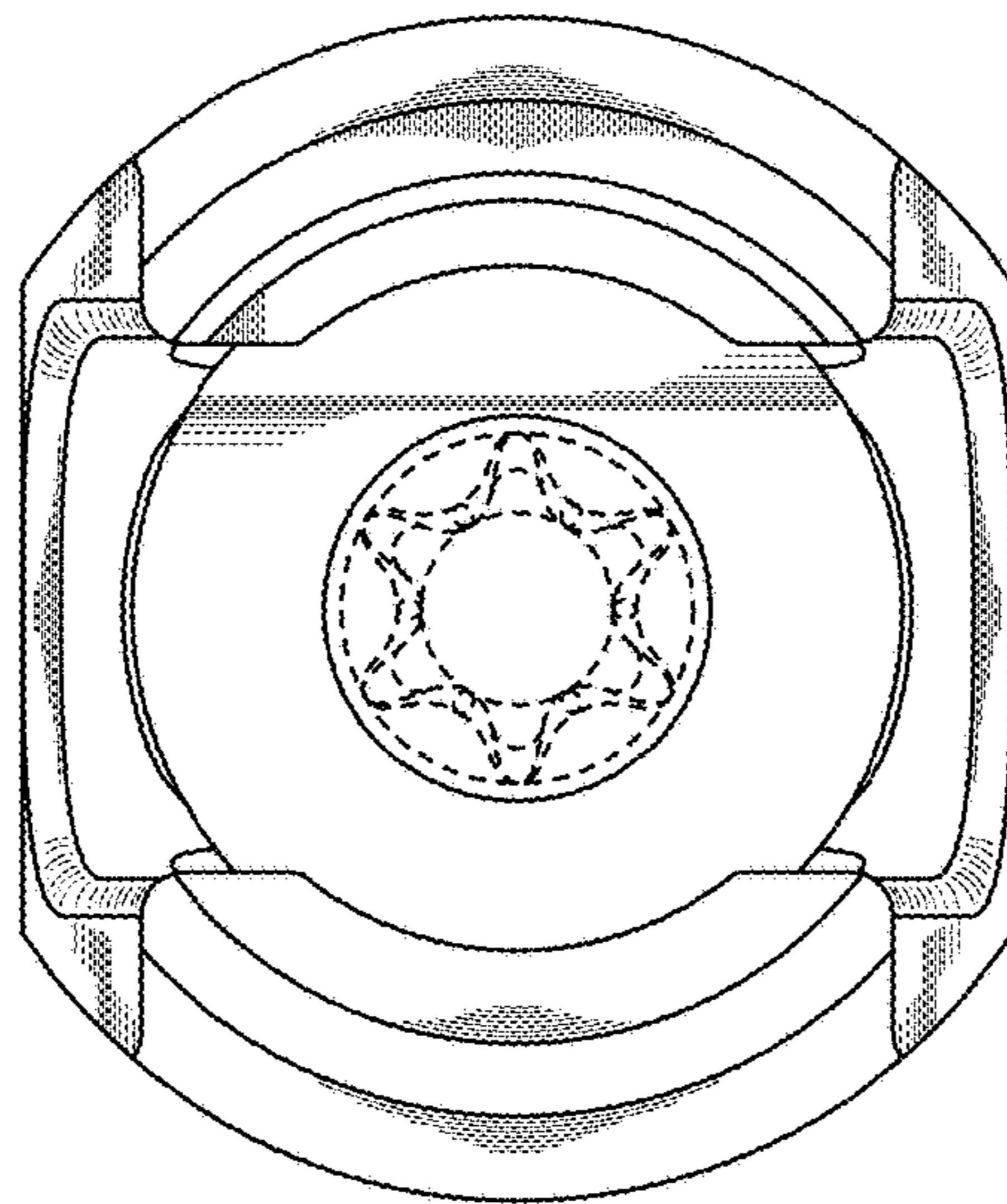


FIG. 1.4

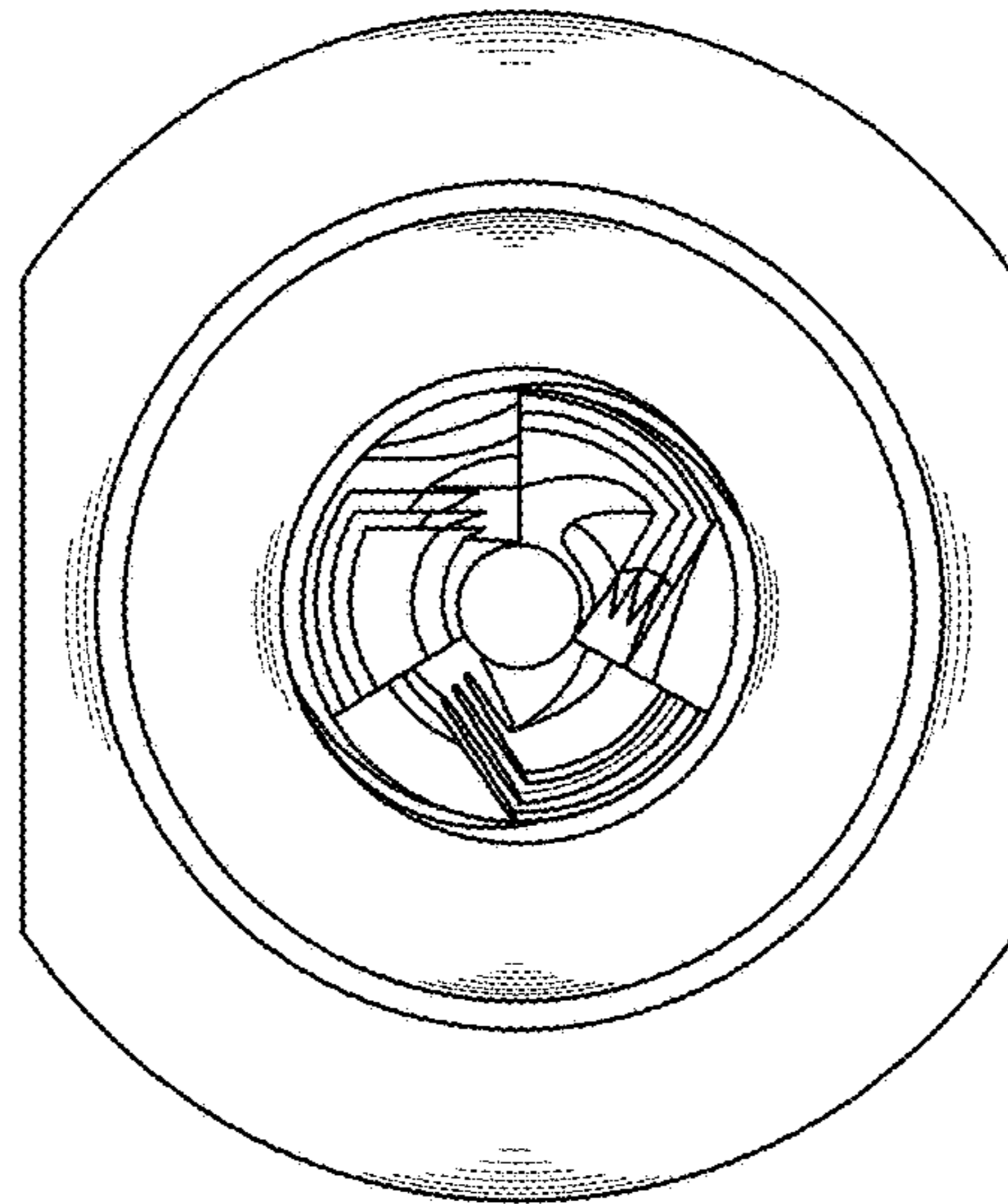


FIG. 1.5

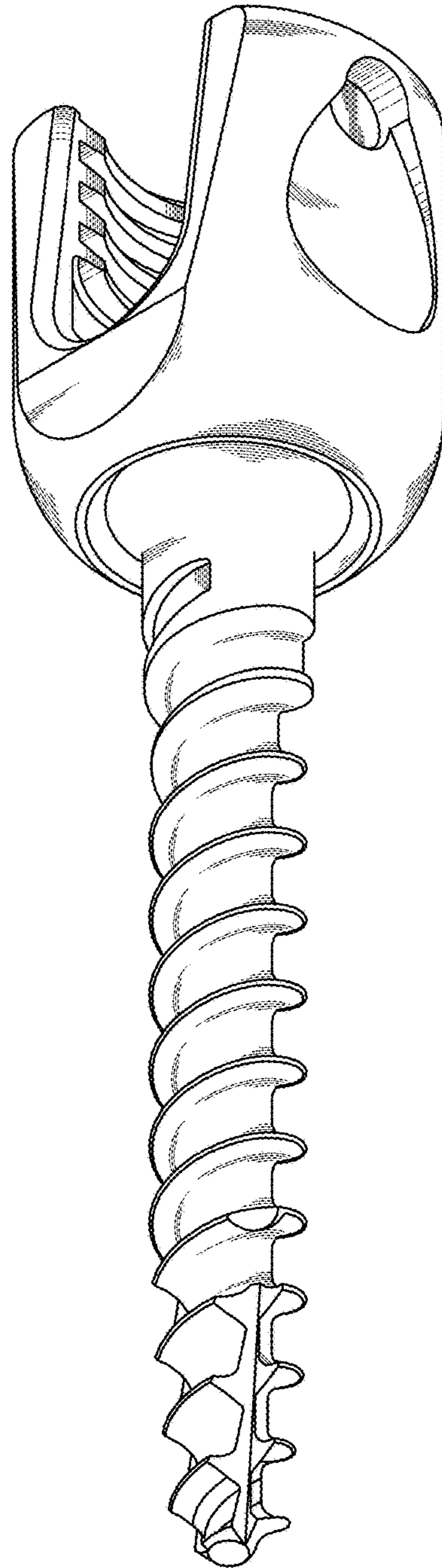


FIG. 1.6