



US00D856508S

(12) **United States Design Patent** (10) **Patent No.:** **US D856,508 S**
O'Brien et al. (45) **Date of Patent:** **** Aug. 13, 2019**

(54) **LIQUID RESERVOIR FOR A NEBULIZER**

(71) Applicant: **MicroVapor Devices, LLC**, Columbia, SC (US)

(72) Inventors: **Terry O'Brien**, Columbia, SC (US);
Joey Vann, West Columbia, SC (US)

(73) Assignee: **MicroVapor Devices, LLC**, Columbia, SC (US)

(**) Term: **15 Years**

(21) Appl. No.: **29/669,073**

(22) Filed: **Nov. 5, 2018**

D441,071 S	4/2001	Attolini	
6,283,118 B1	9/2001	Lu	
D585,977 S	2/2009	Brown	
7,631,643 B2	12/2009	Morrison	
8,056,557 B2	11/2011	Lieberman	
D752,205 S	3/2016	Genord	
D752,206 S	3/2016	Genord	
D752,207 S	3/2016	Genord	
D753,285 S	4/2016	Genord	
D757,245 S *	5/2016	Lee	D24/110
D771,798 S	11/2016	Li	
D837,364 S *	1/2019	O'Brien	D24/110
2006/0243274 A1	11/2006	Lieberman	
2008/0092880 A1	4/2008	Ooida	
2010/0326431 A1	12/2010	Yu	
2016/0271343 A1	9/2016	Abate	
2018/0104424 A1	4/2018	Akouka	

* cited by examiner

Related U.S. Application Data

(62) Division of application No. 29/615,663, filed on Aug. 30, 2017, now Pat. No. Des. 837,364.

(51) **LOC (12) Cl.** **29-02**

(52) **U.S. Cl.**
USPC **D24/110**

(58) **Field of Classification Search**
USPC D24/107, 108, 110.1, 164, 110, 110.5;
D27/162-165, 167, 169-170
CPC A61M 2202/064; A61M 15/0021; A61M 15/06; A61M 15/009; A61M 15/0028; A61M 15/0065; A61M 15/0091; A61M 15/00; A61M 15/0025; A61M 11/005; A61M 15/0085; A61M 11/02; A61M 16/14; A61M 11/003; A61M 11/007; A61M 11/00; A24F 47/008
See application file for complete search history.

(56) **References Cited**

U.S. PATENT DOCUMENTS

D337,636 S *	7/1993	Kocinski	D24/110
D381,415 S	7/1997	Iddon	

Primary Examiner — Lilyana Bekic

(74) *Attorney, Agent, or Firm* — Jones Day

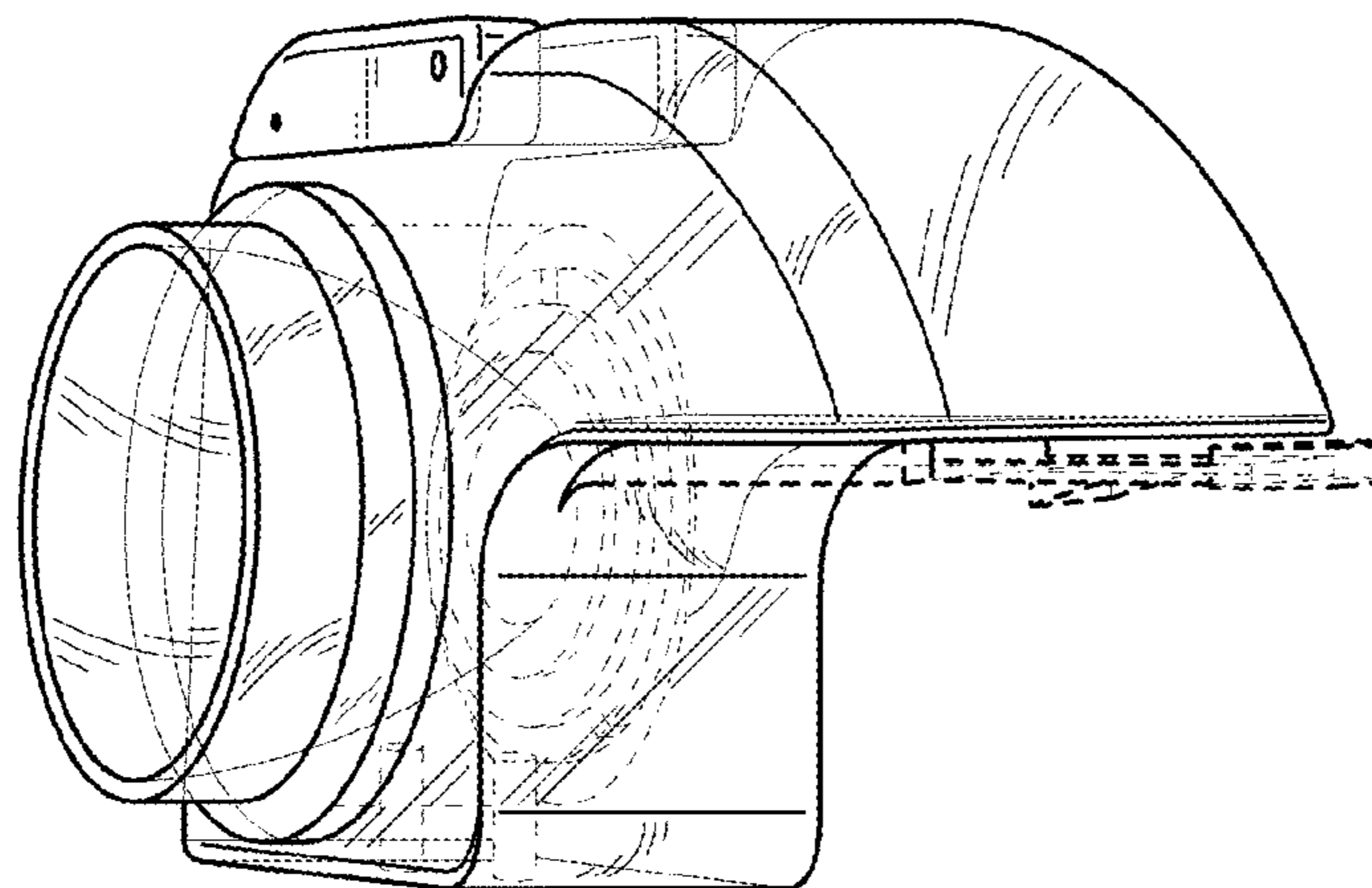
(57) **CLAIM**

The ornamental design for a liquid reservoir for a nebulizer, as shown and described.

DESCRIPTION

FIG. 1 is a perspective view of a liquid reservoir for a nebulizer showing my design;
FIG. 2 is a front elevation view thereof;
FIG. 3 is a rear elevation view thereof;
FIG. 4 is a right side elevation view thereof;
FIG. 5 is a left side elevation view thereof;
FIG. 6 is a top plan view thereof; and,
FIG. 7 is a bottom plan view thereof.
The broken lines in the drawings depict portions of the liquid reservoir for a nebulizer that form no part of the claimed design.

1 Claim, 7 Drawing Sheets



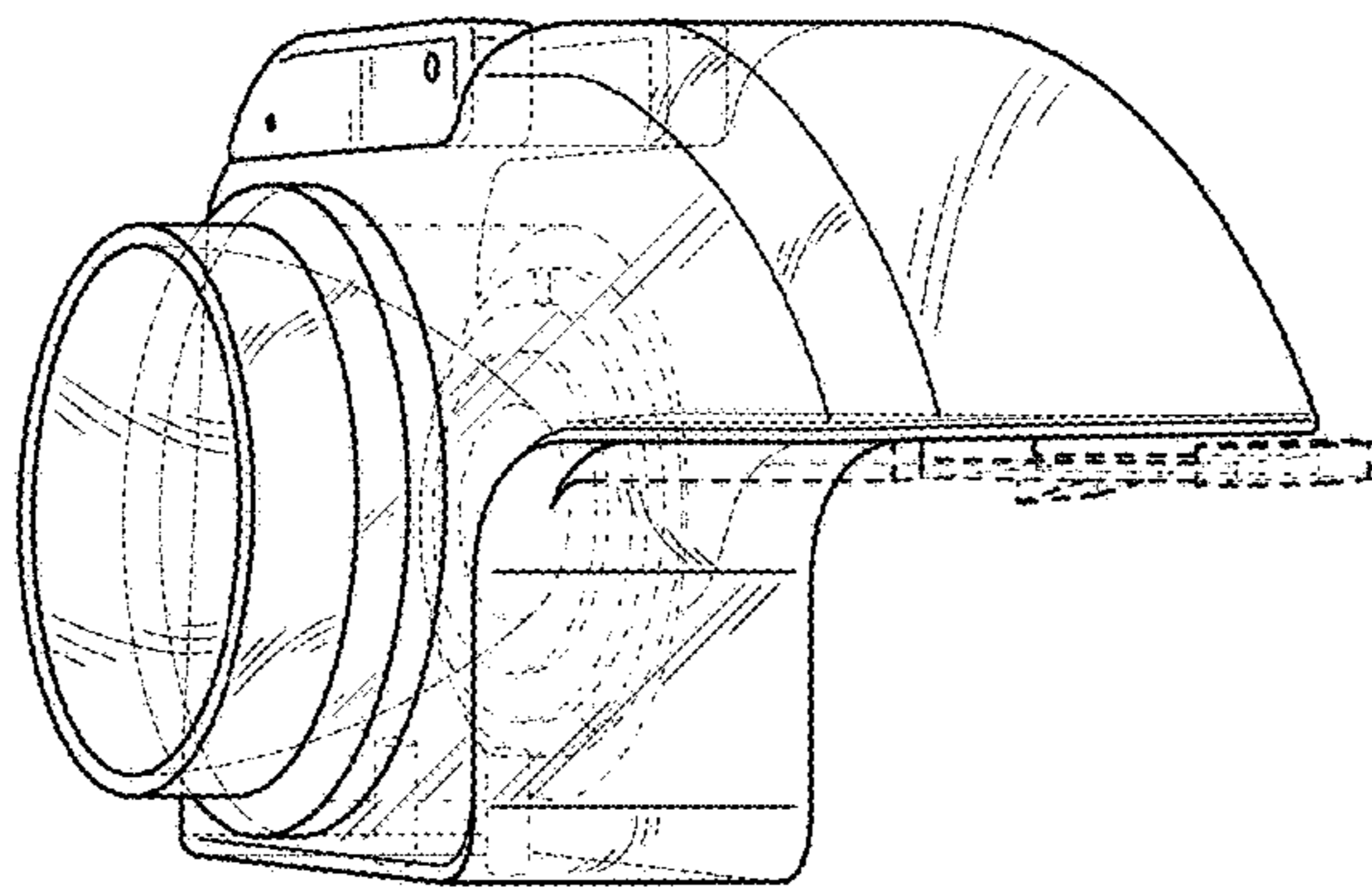


FIG. 1

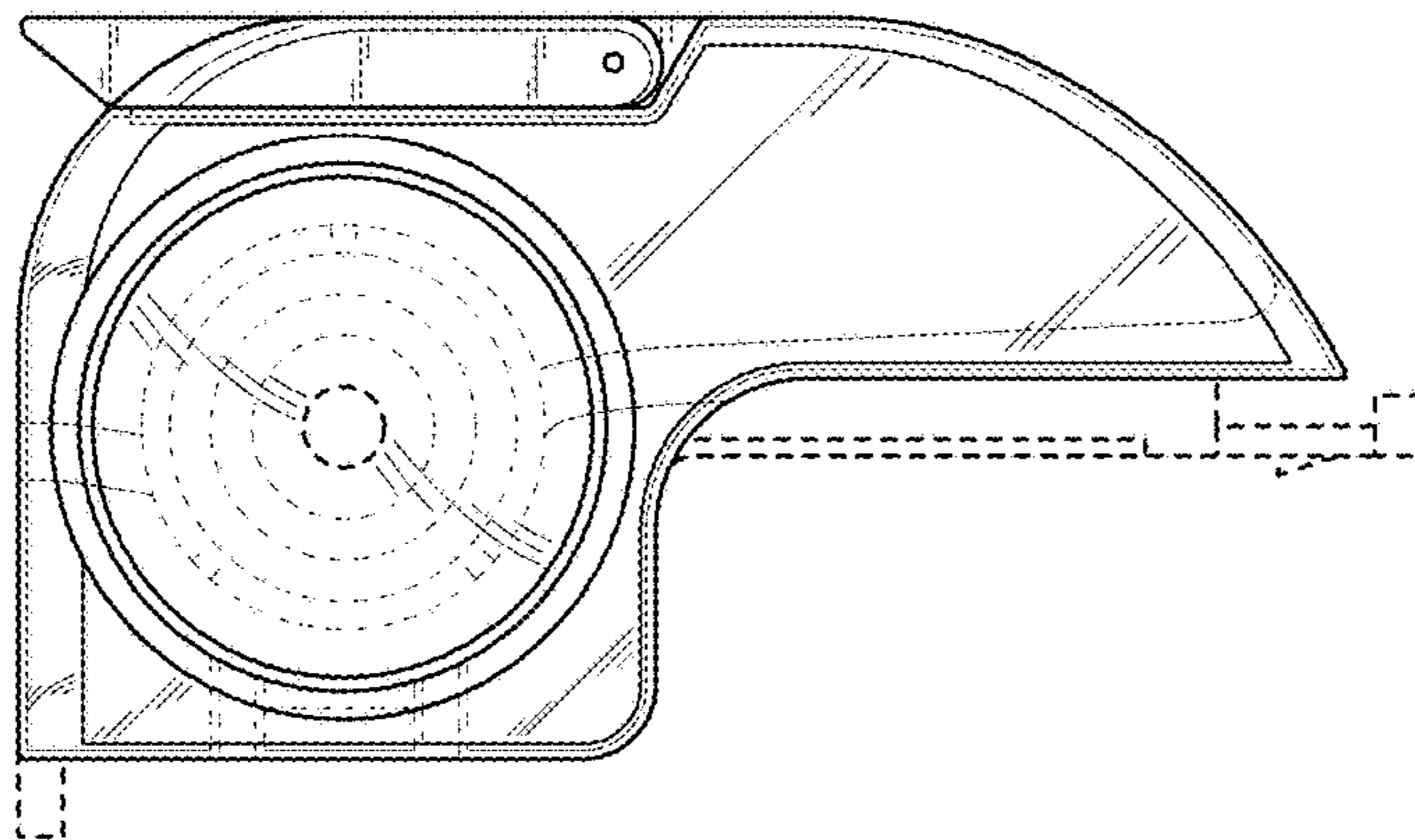


FIG. 2

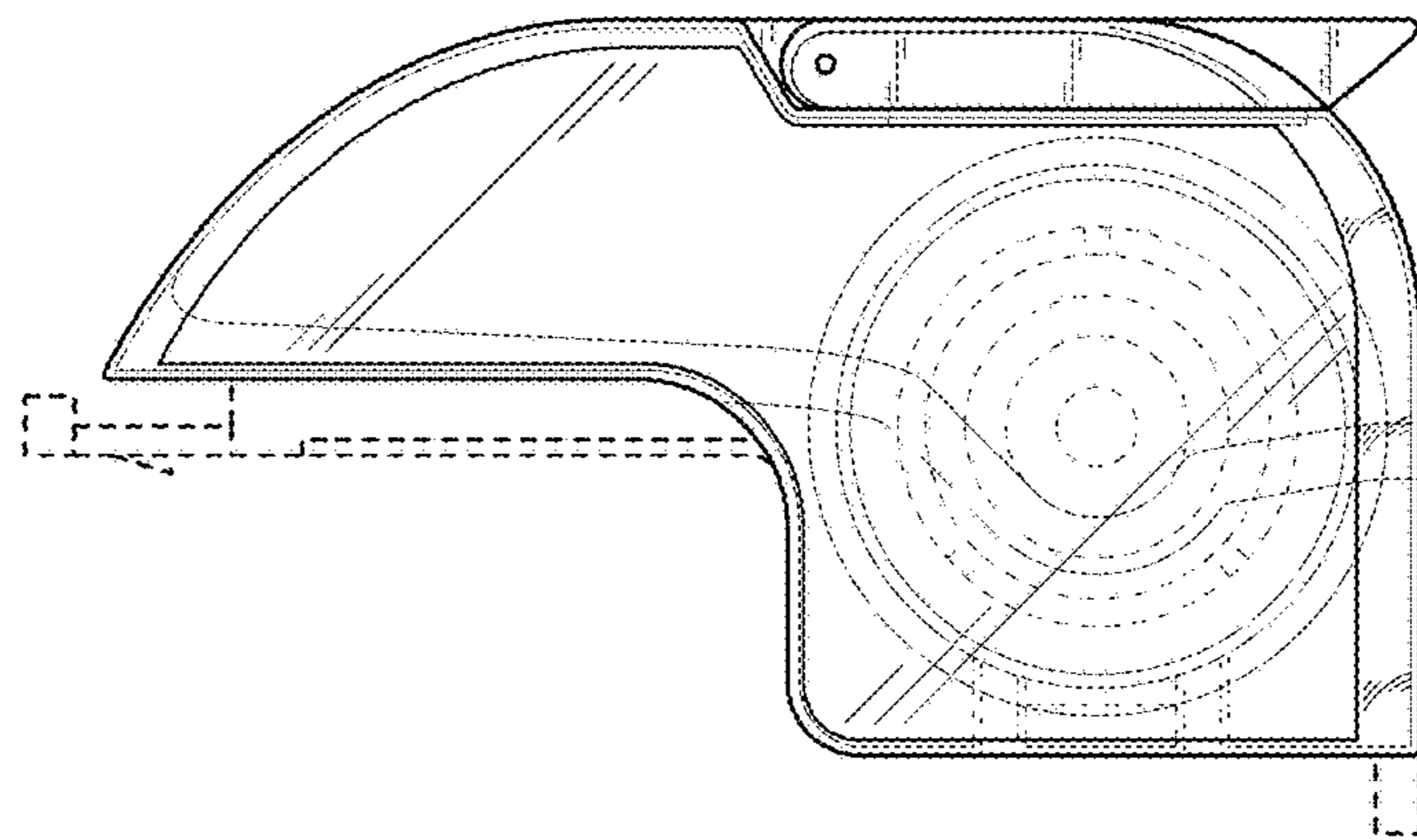


FIG. 3

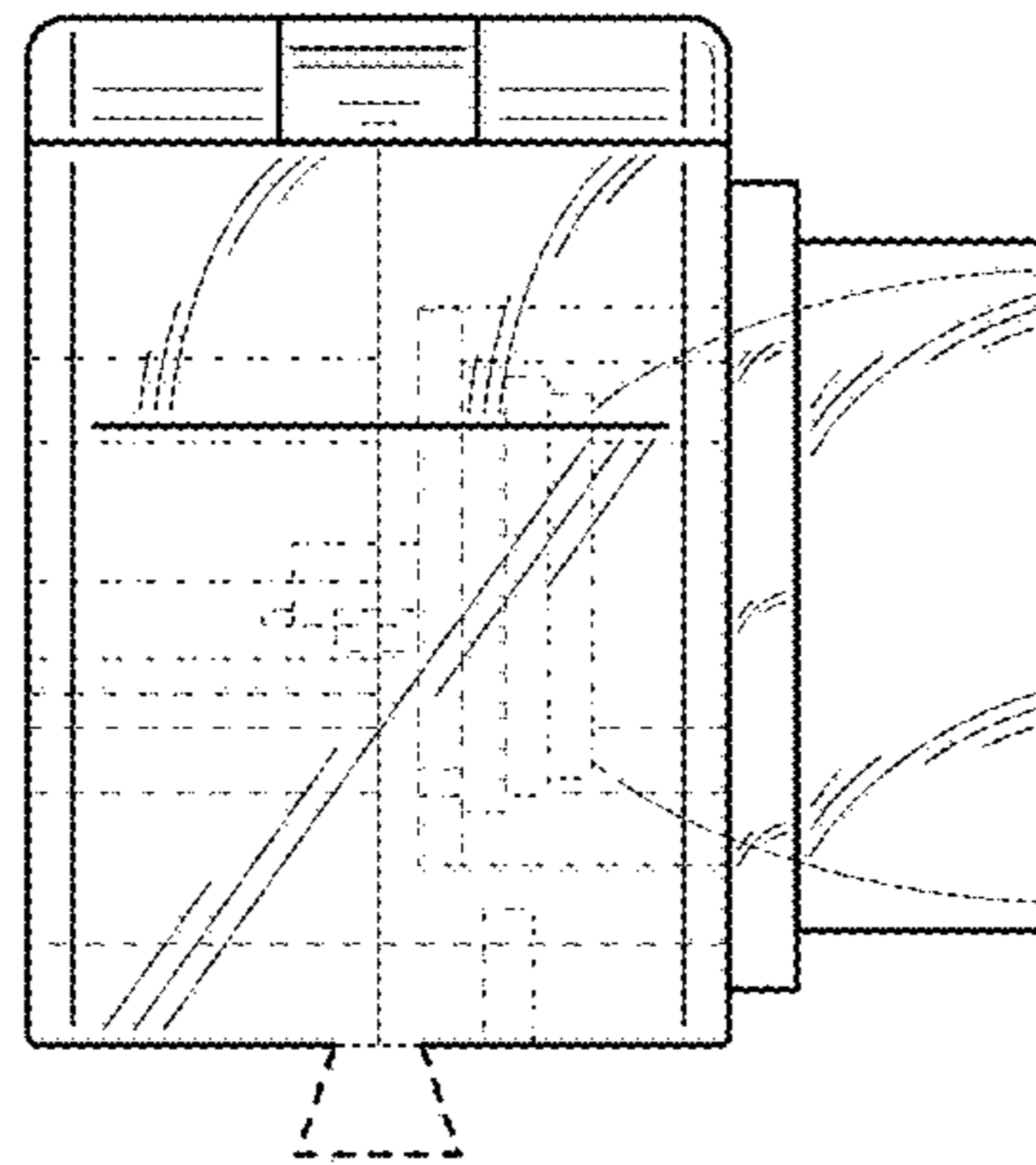


FIG. 4

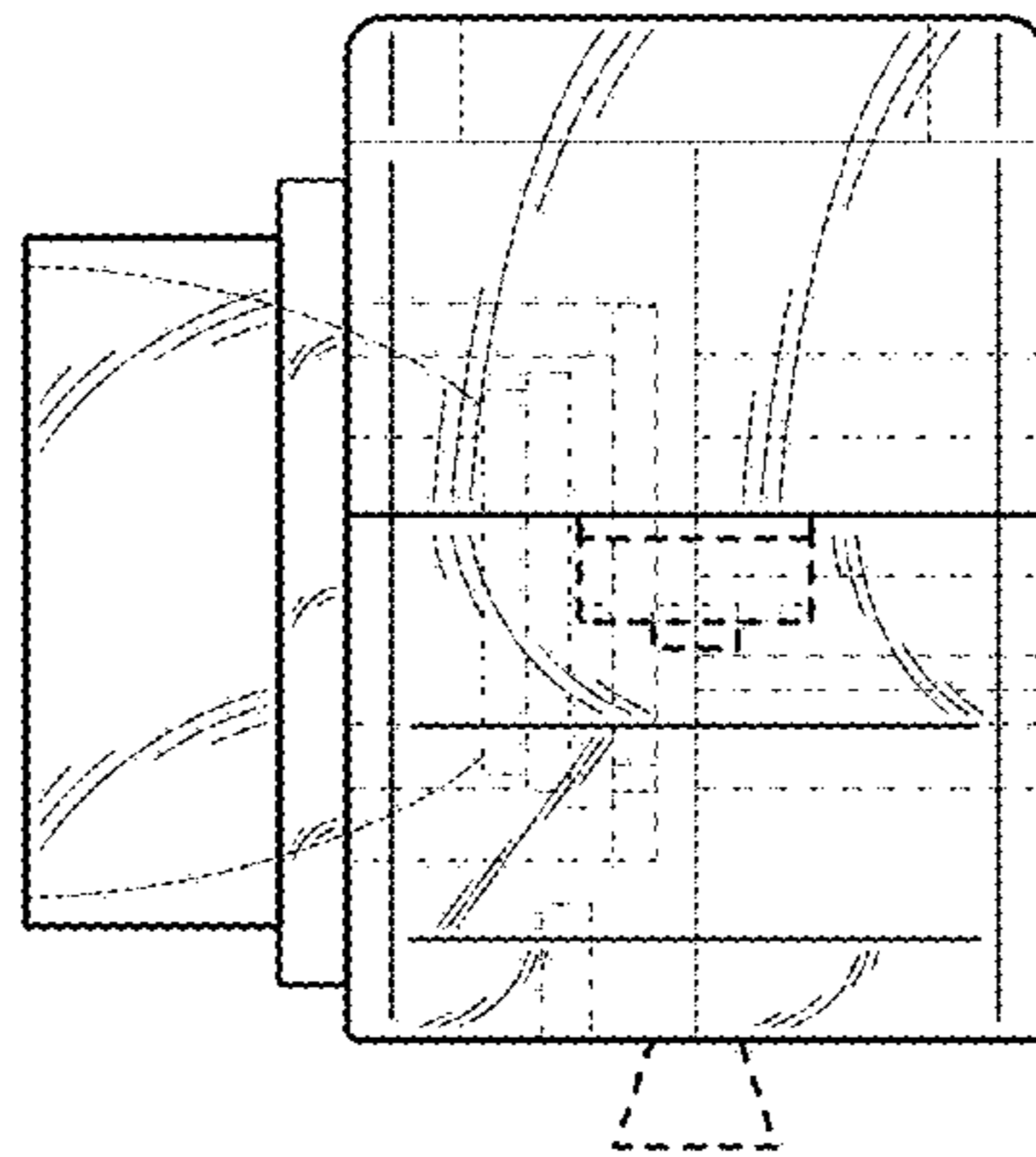


FIG. 5

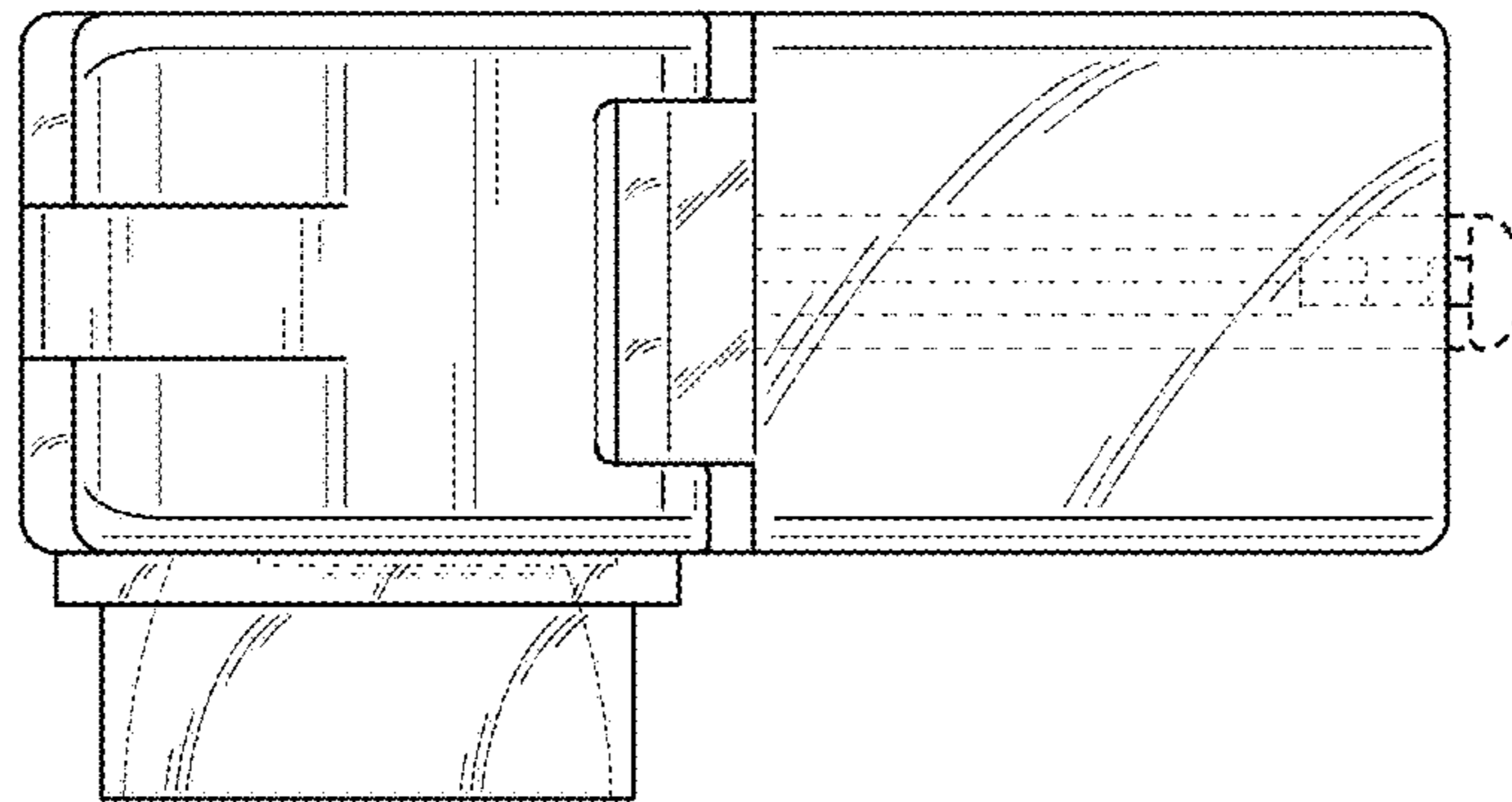


FIG. 6

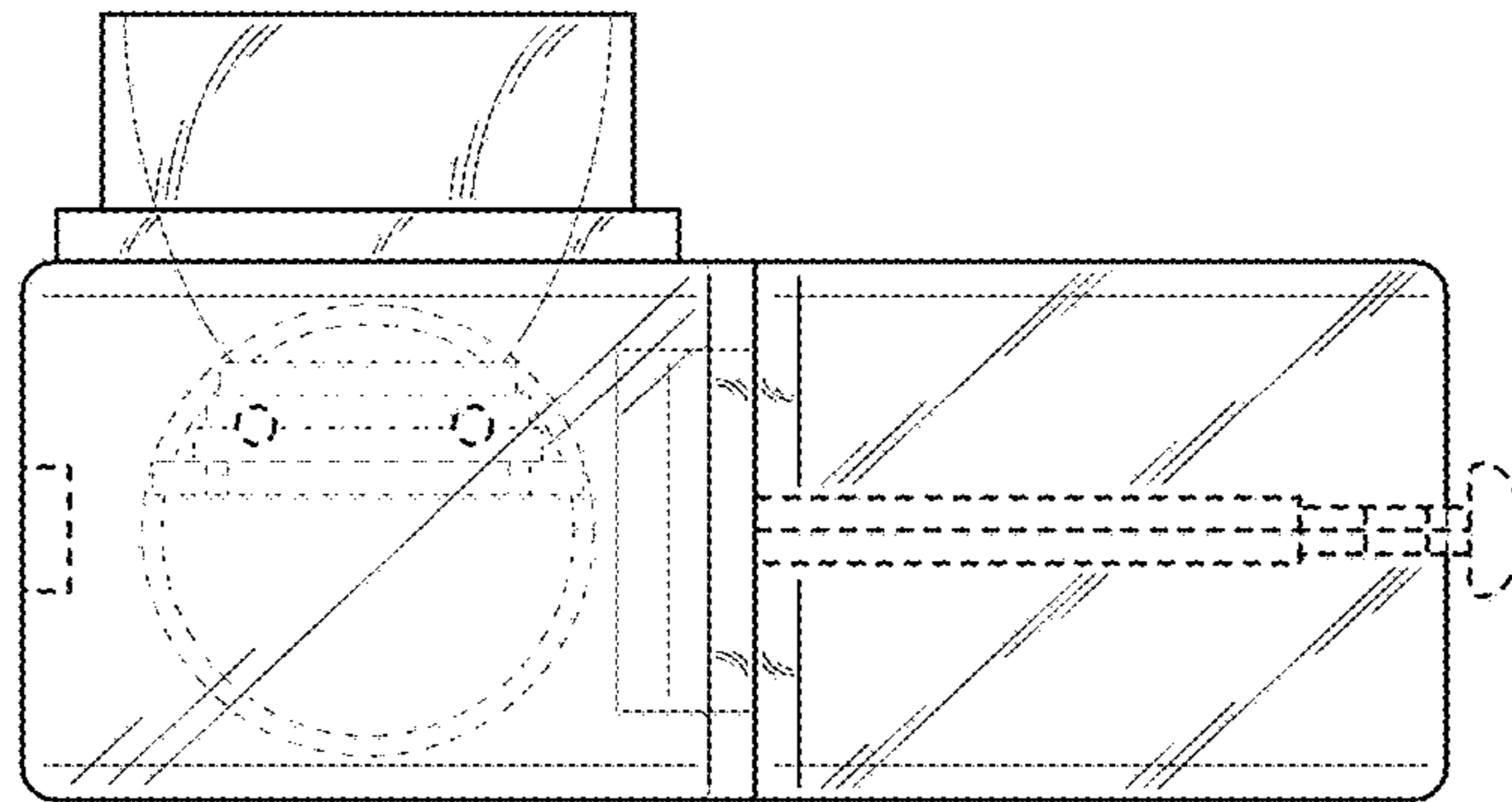


FIG. 7