



US00D856505S

(12) **United States Design Patent**
Sykes

(10) **Patent No.:** **US D856,505 S**

(45) **Date of Patent:** **** Aug. 13, 2019**

(54) **PORTABLE FAN**

(71) Applicant: **William G. Sykes**, Virginia Beach, VA
(US)

(72) Inventor: **William G. Sykes**, Virginia Beach, VA
(US)

(**) Term: **15 Years**

(21) Appl. No.: **29/650,009**

(22) Filed: **Jun. 4, 2018**

(51) **LOC (12) Cl.** **23-04**

(52) **U.S. Cl.**
USPC **D23/382**

(58) **Field of Classification Search**
USPC D23/370, 377, 378, 381, 382, 412, 411
CPC A44C 15/007; A61C 13/08; A61C 13/081;
A61C 13/082; A61C 13/0835; A61C
13/225; A61C 5/00; A61C 5/20; A61C
5/70; A61C 7/002

See application file for complete search history.

(56) **References Cited**

U.S. PATENT DOCUMENTS

D444,871 S * 7/2001 Wilson, Jr. D23/382
D546,436 S * 7/2007 Chen D23/382
D546,437 S * 7/2007 Chen D23/382

D546,933 S * 7/2007 Chen D23/382
D564,084 S * 3/2008 Chen D23/382
D578,635 S * 10/2008 Chan D23/382
D594,959 S * 6/2009 Orihara D23/366
D597,196 S * 7/2009 Ediger D23/411
D605,279 S * 12/2009 Orihara D23/366
D679,373 S * 4/2013 Spoerl D23/382
D683,010 S * 5/2013 Chen D23/370
D689,599 S * 9/2013 Herbst D23/382
D752,201 S * 3/2016 Herbst D23/370
D754,316 S * 4/2016 Yasuoka D23/366

* cited by examiner

Primary Examiner — Janice Hallmark

(74) *Attorney, Agent, or Firm* — William G Sykes

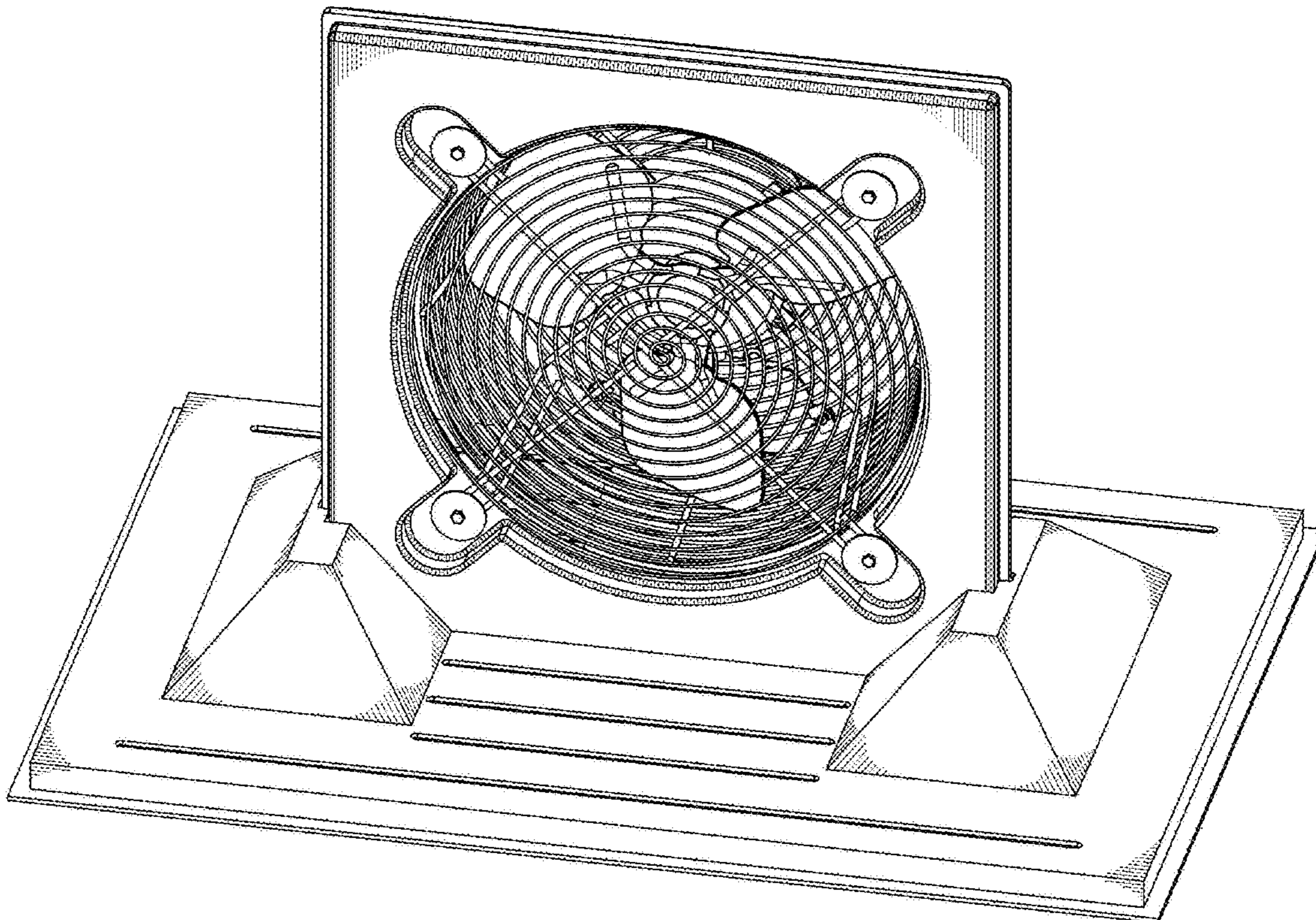
(57) **CLAIM**

The ornamental design for a portable fan, as shown.

DESCRIPTION

FIG. 1 is a front right isometric view of a portable fan showing my new design;
FIG. 2 is a front view thereof;
FIG. 3 is a top view thereof;
FIG. 4 is a bottom view thereof;
FIG. 5 is a right-side view thereof;
FIG. 6 is a left-side view thereof; and,
FIG. 7 is a back view thereof.

1 Claim, 7 Drawing Sheets



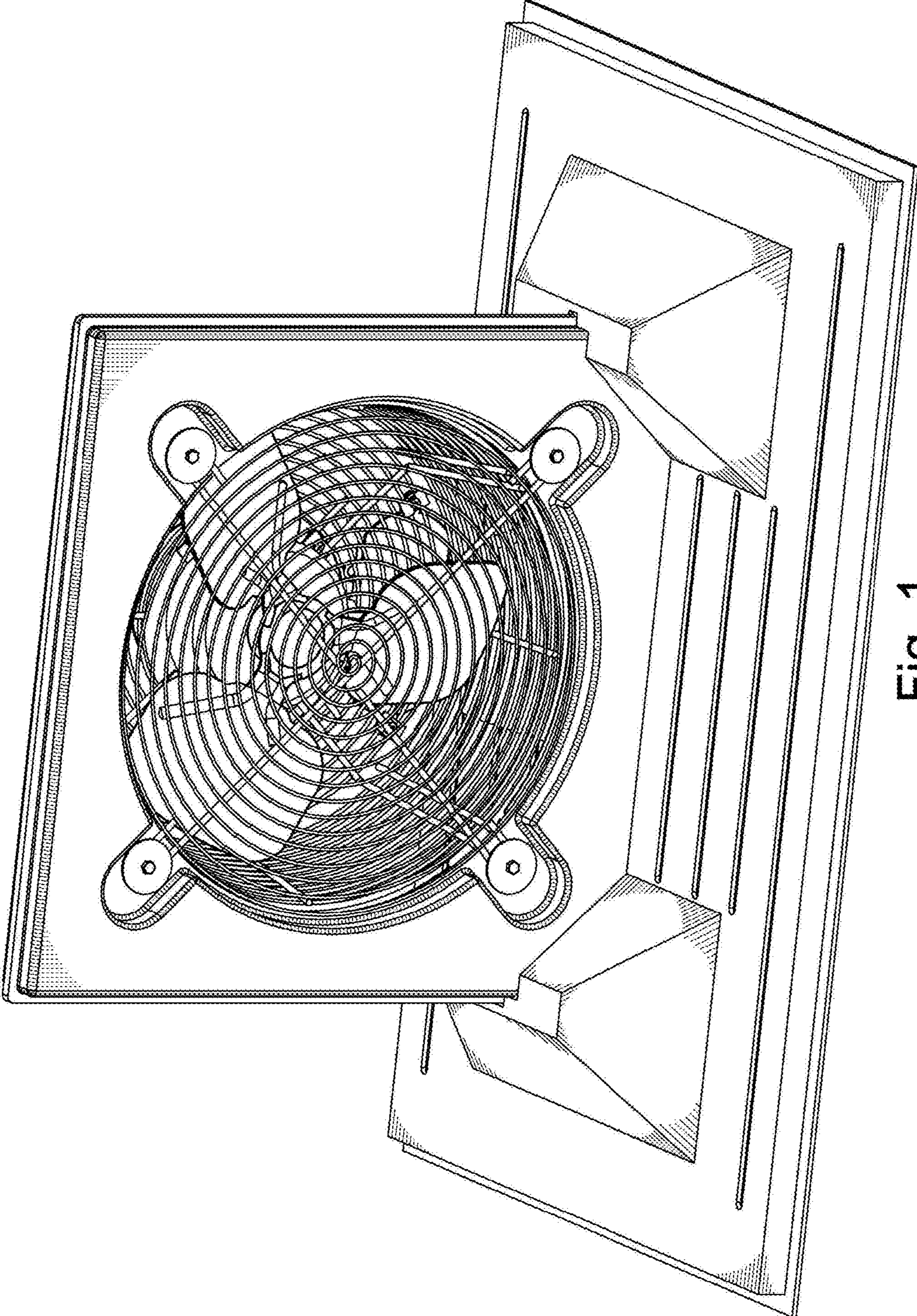


Fig. 1

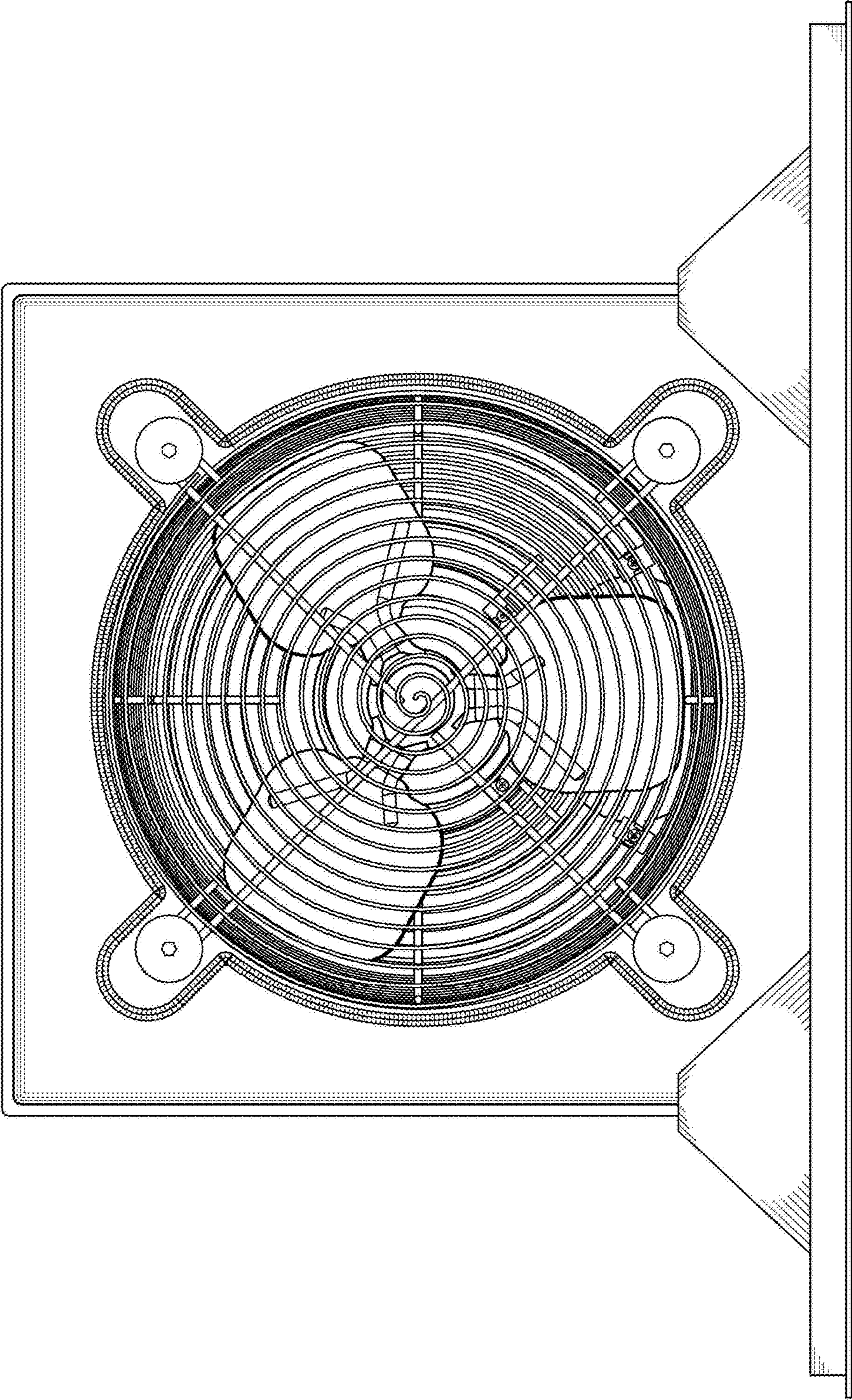


Fig. 2

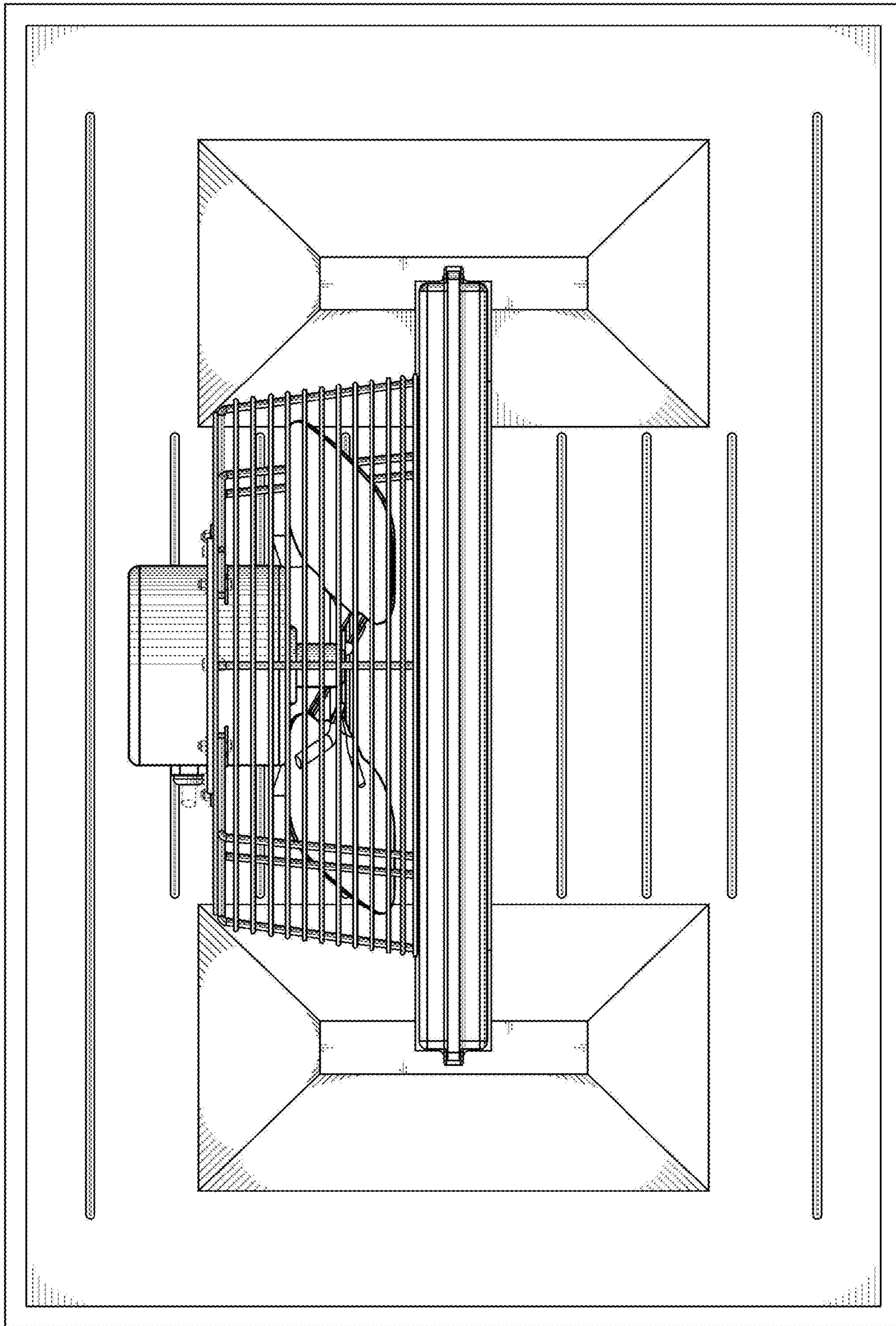


Fig. 3

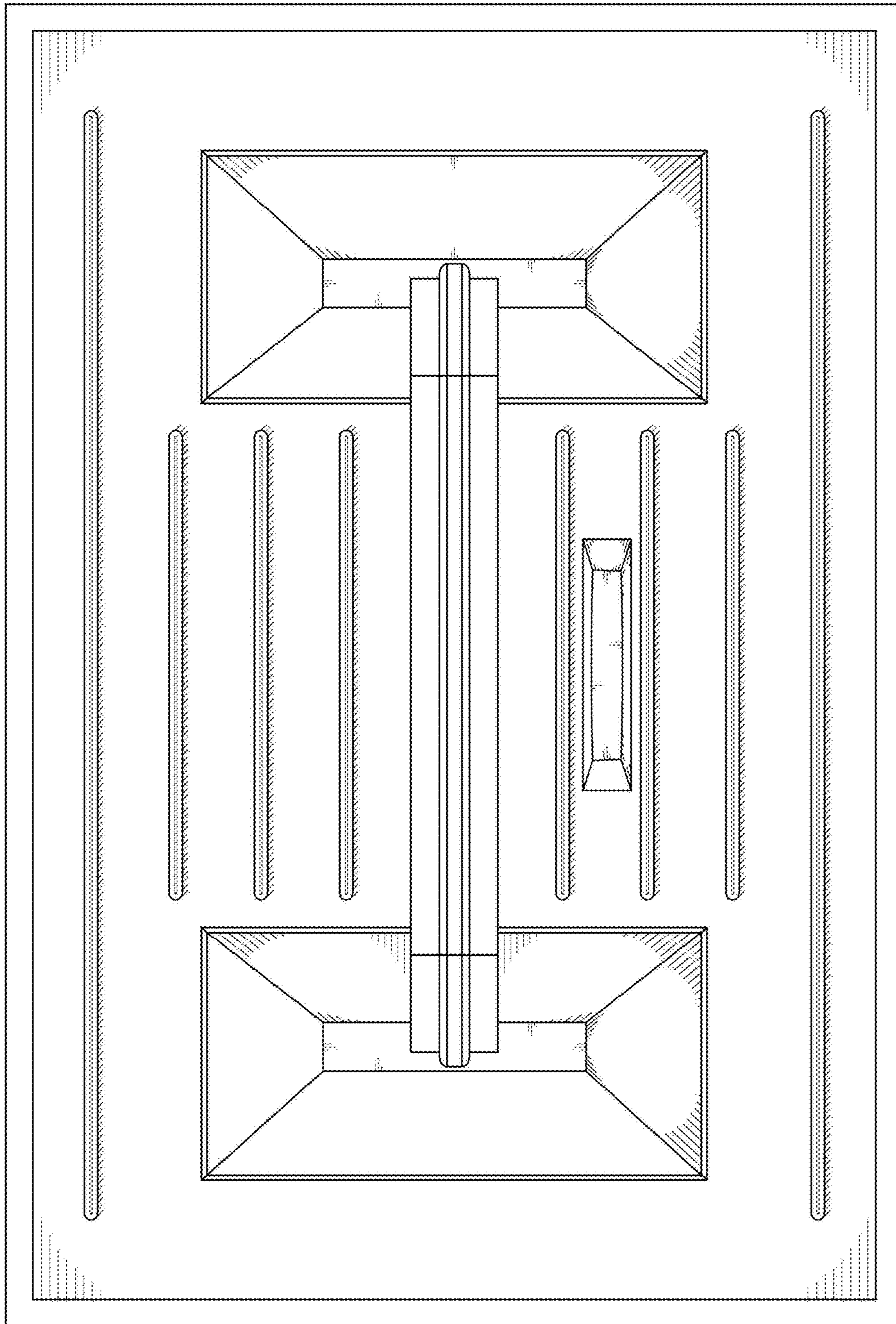


Fig. 4

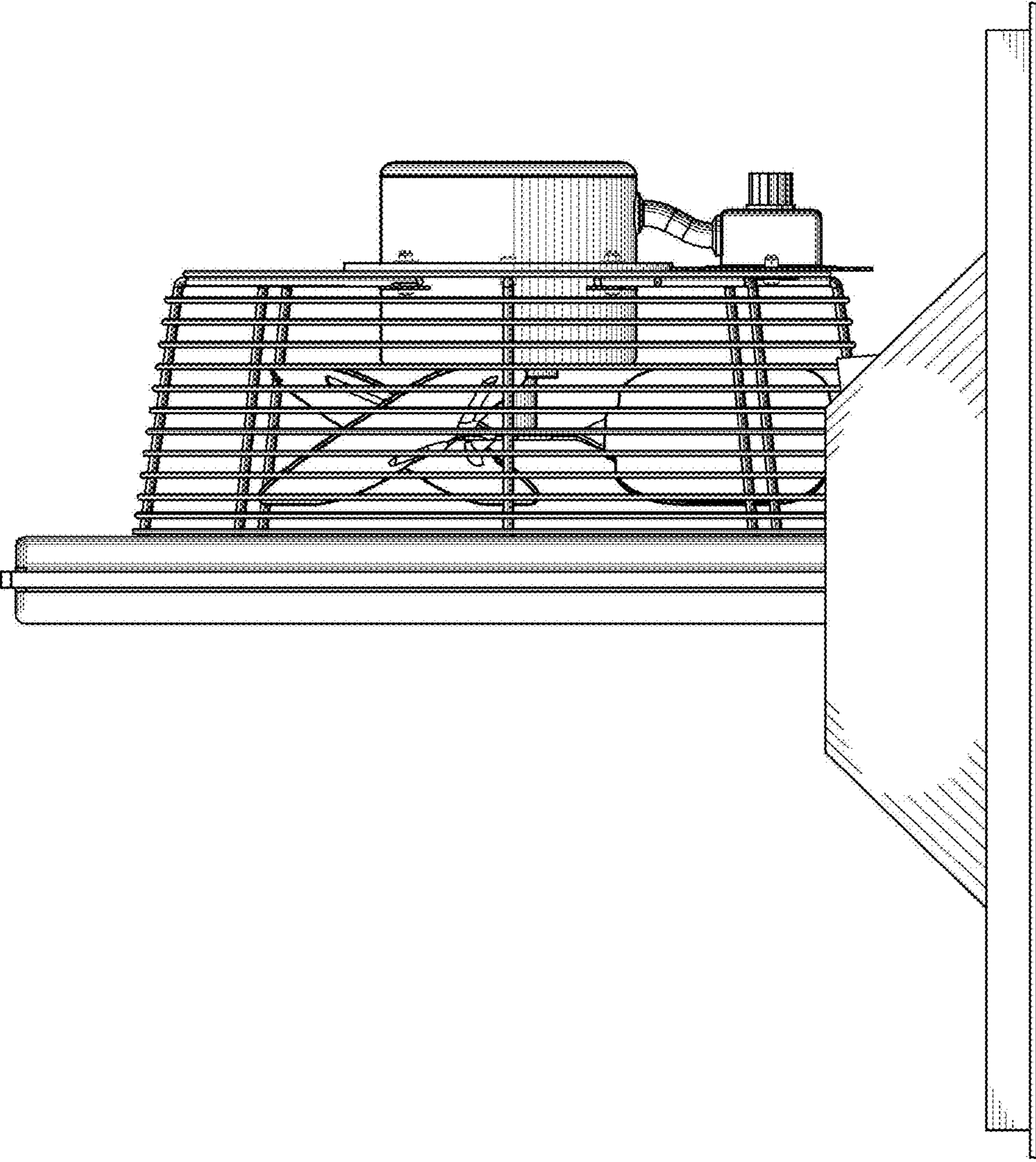


Fig. 5

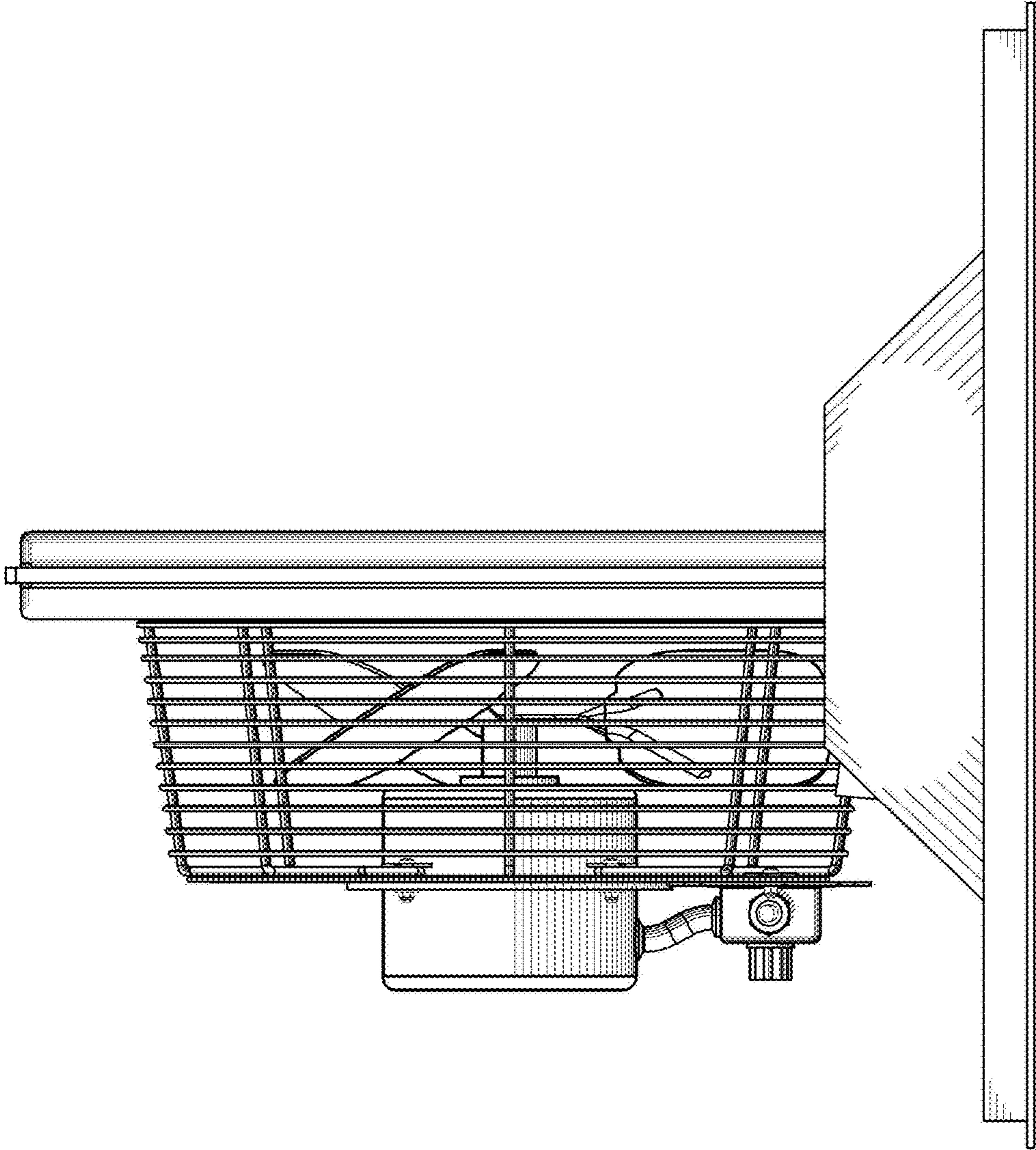


Fig. 6

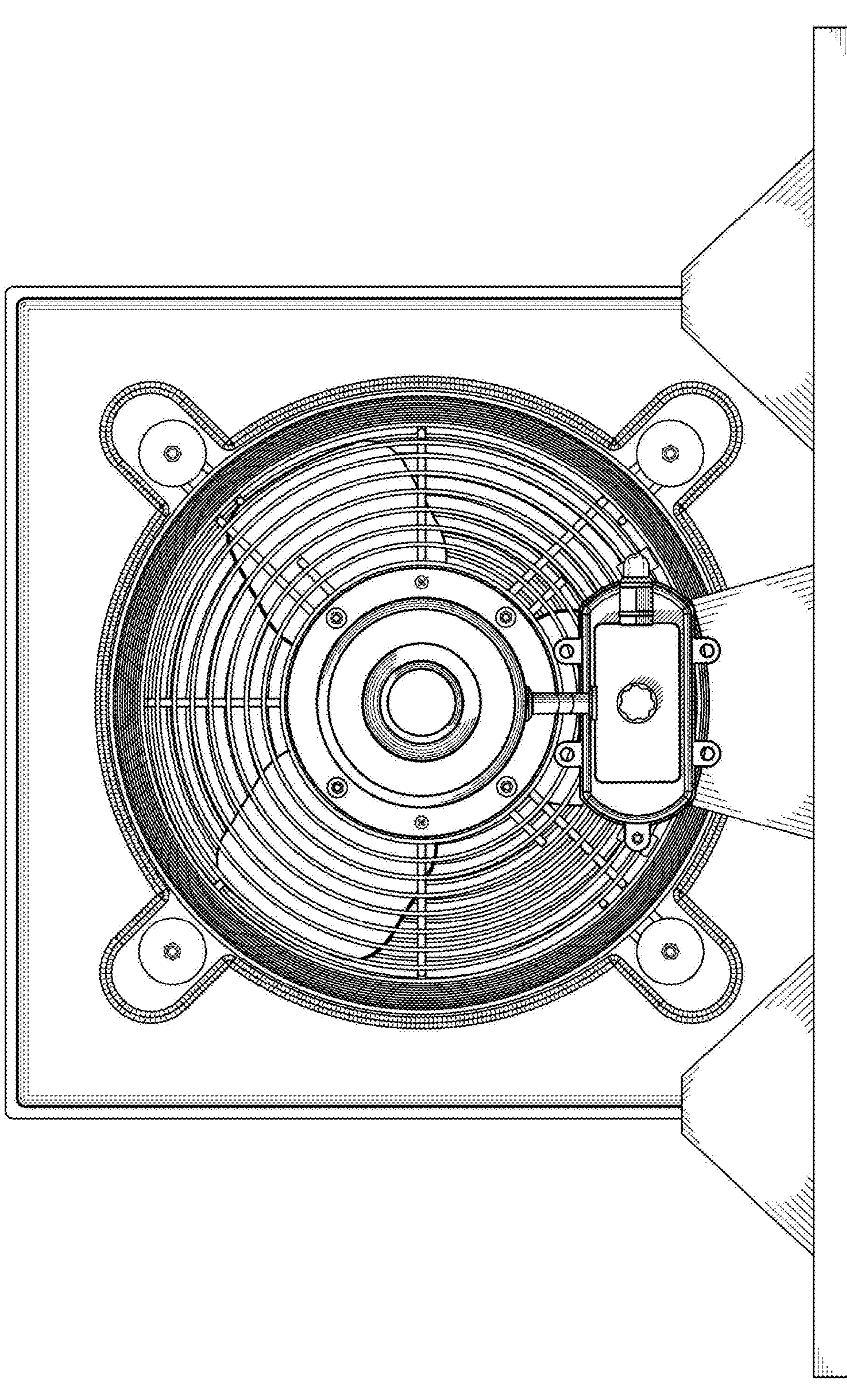


Fig. 7