



US00D856503S

(12) **United States Design Patent** (10) **Patent No.:** **US D856,503 S**
Santolucito et al. (45) **Date of Patent:** **** Aug. 13, 2019**

(54) **CEILING FAN** 5,256,037 A 10/1993 Chatelain
D345,790 S * 4/1994 Caldwell D23/377
(71) Applicant: **HUNTER FAN COMPANY,** 5,435,514 A 7/1995 Kerr
Memphis, TN (US) (Continued)

(72) Inventors: **Phillip Santolucito,** Memphis, TN
(US); **Agustin Chacon,** Memphis, TN
(US)

FOREIGN PATENT DOCUMENTS

CN 201305128 9/2009
CN 202520640 11/2012

(Continued)

(73) Assignee: **Hunter Fan Company,** Memphis, TN
(US)

OTHER PUBLICATIONS

(**) Term: **15 Years**

PCT International Search Report for PCT/US2016/066615 dated
Apr. 3, 2017.

(21) Appl. No.: **29/608,512**

Primary Examiner — Janice Hallmark

(22) Filed: **Jun. 22, 2017**

(74) *Attorney, Agent, or Firm* — McGarry Bair PC

Related U.S. Application Data

(63) Continuation of application No. 15/378,806, filed on
Dec. 14, 2016.

(51) **LOC (12) Cl.** **23-04**

(52) **U.S. Cl.**
USPC **D23/377**

(58) **Field of Classification Search**
USPC D23/370, 377, 379, 381, 382, 385, 411,
D23/413, 414, 332, 328; D26/59;
D15/5, 7

CPC F04D 25/08; F04D 29/388; F04D 29/34;
F04D 25/088; H02K 1/187

See application file for complete search history.

(56) **References Cited**

U.S. PATENT DOCUMENTS

2,765,859 A 10/1956 Hartzell et al.
4,275,993 A 6/1981 Sprengling
4,594,018 A 6/1986 Larsson et al.
4,611,139 A 9/1986 Godkin et al.
4,637,673 A 1/1987 Yang
4,657,485 A 4/1987 Hartwig
4,808,071 A 2/1989 Chau
5,085,392 A 2/1992 Perna

(57) **CLAIM**

The ornamental design for a ceiling fan, as shown and
described.

DESCRIPTION

FIG. 1 is a top perspective view of a ceiling fan, showing our
new design;

FIG. 2 is a bottom perspective view of the ceiling fan of FIG.
3;

FIG. 3 is a side view thereof of FIG. 3;

FIG. 4 is another side view thereof of FIG. 3;

FIG. 5 is a bottom view thereof of FIG. 3;

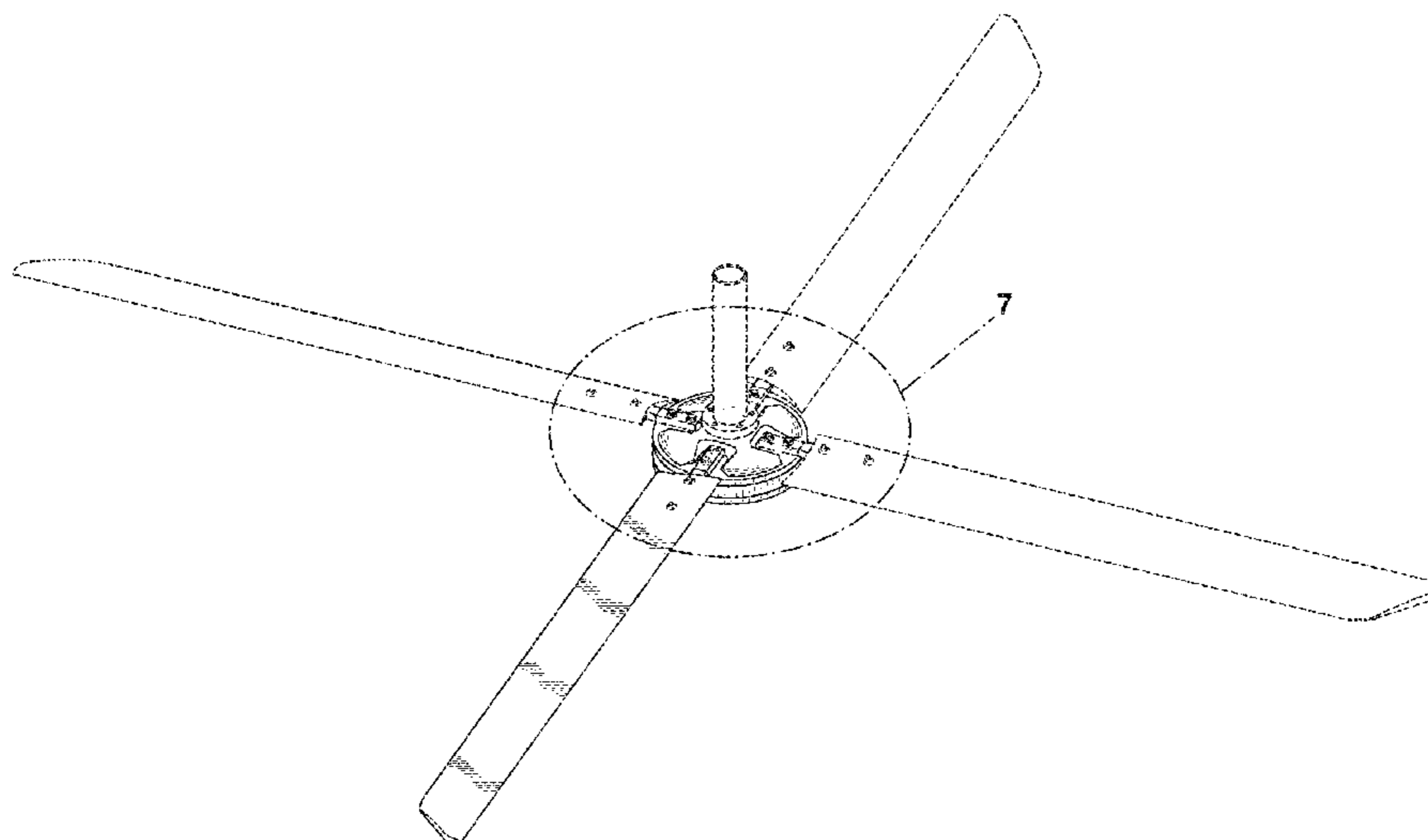
FIG. 6 is a top view thereof of FIG. 3;

FIG. 7 is an enlarged top perspective detail view thereof,
showing the portion of the ceiling fan encircled by dash-
dot-dash lines in FIG. 1; and,

FIG. 8 is an enlarged detail side view thereof, showing the
portion of the ceiling fan encircled by dash-dot-dash lines in
FIG. 3.

Portions of the ceiling fan shown in broken line form no part
of the claimed design.

1 Claim, 8 Drawing Sheets



(56)

References Cited

U.S. PATENT DOCUMENTS

5,520,515 A 5/1996 Bailey et al.
 D372,080 S * 7/1996 Dolan D23/377
 5,613,832 A 3/1997 Su
 D389,908 S * 1/1998 Dolan D23/377
 5,851,107 A 12/1998 Wang
 D407,155 S * 3/1999 Liu D23/377
 5,883,449 A 3/1999 Mehta et al.
 6,039,541 A 3/2000 Parker et al.
 6,250,886 B1 6/2001 Immell et al.
 D448,841 S * 10/2001 Campbell D23/411
 6,390,777 B1 5/2002 Kerr, Jr.
 6,528,914 B2 3/2003 Kloeppe et al.
 6,592,328 B1 7/2003 Cahill
 D480,793 S * 10/2003 Burns D23/411
 6,630,758 B2 10/2003 Aoki et al.
 6,726,453 B1 4/2004 Hsieh
 6,817,835 B2 11/2004 Boyd et al.
 7,210,910 B1 5/2007 Parker et al.
 7,284,960 B2 10/2007 Aynsley
 7,615,898 B2 11/2009 Chang
 7,625,186 B1 12/2009 Lueddecke
 7,726,945 B2 6/2010 Grant et al.
 7,780,418 B2 8/2010 Wang
 7,785,077 B2 8/2010 Richardson et al.
 D626,209 S * 10/2010 Searle D23/411
 D627,052 S * 11/2010 Pan D23/411
 D627,456 S * 11/2010 Glasbrenner D23/411
 7,955,055 B1 6/2011 Boyd et al.
 8,066,480 B2 11/2011 Madsen et al.
 D671,631 S * 11/2012 Searle D23/411
 8,523,378 B2 9/2013 Schulzman
 8,579,588 B1 11/2013 Boyd

8,602,725 B2 12/2013 Itou et al.
 8,672,649 B2 3/2014 Smith et al.
 8,827,664 B2 9/2014 McCloud et al.
 8,840,379 B2 9/2014 Wang
 8,876,468 B2 11/2014 Aynsley et al.
 8,956,124 B2 2/2015 Boyd et al.
 D745,655 S * 12/2015 Pickett D23/411
 D779,052 S * 2/2017 Gajewski D23/411
 9,982,679 B2 * 5/2018 Santolucito F04D 25/088
 2008/0107527 A1 5/2008 Gajewski
 2008/0203837 A1 8/2008 Tang
 2009/0081045 A1 3/2009 Scherer et al.
 2011/0020135 A1 1/2011 Itou et al.
 2013/0136632 A1 5/2013 Stocks et al.
 2013/0189104 A1 7/2013 Hollan et al.
 2013/0209293 A1 8/2013 Kawano et al.
 2014/0348649 A1 11/2014 Oleson
 2015/0023802 A1 1/2015 Oleson et al.
 2015/0037164 A1 2/2015 Fizer et al.
 2015/0090858 A1 4/2015 Broughman
 2015/0240824 A1 8/2015 Jones et al.
 2015/0260199 A1 9/2015 Hollan
 2015/0333592 A1 11/2015 Yin et al.
 2017/0159664 A1 6/2017 Du
 2017/0167495 A1 * 6/2017 Santolucito F04D 25/088

FOREIGN PATENT DOCUMENTS

CN 105201893 12/2015
 CN 204992877 1/2016
 CN 205533349 8/2016
 EP 2397784 A1 12/2011
 JP 2013217273 A 10/2013
 WO 2002081927 A1 10/2002

* cited by examiner

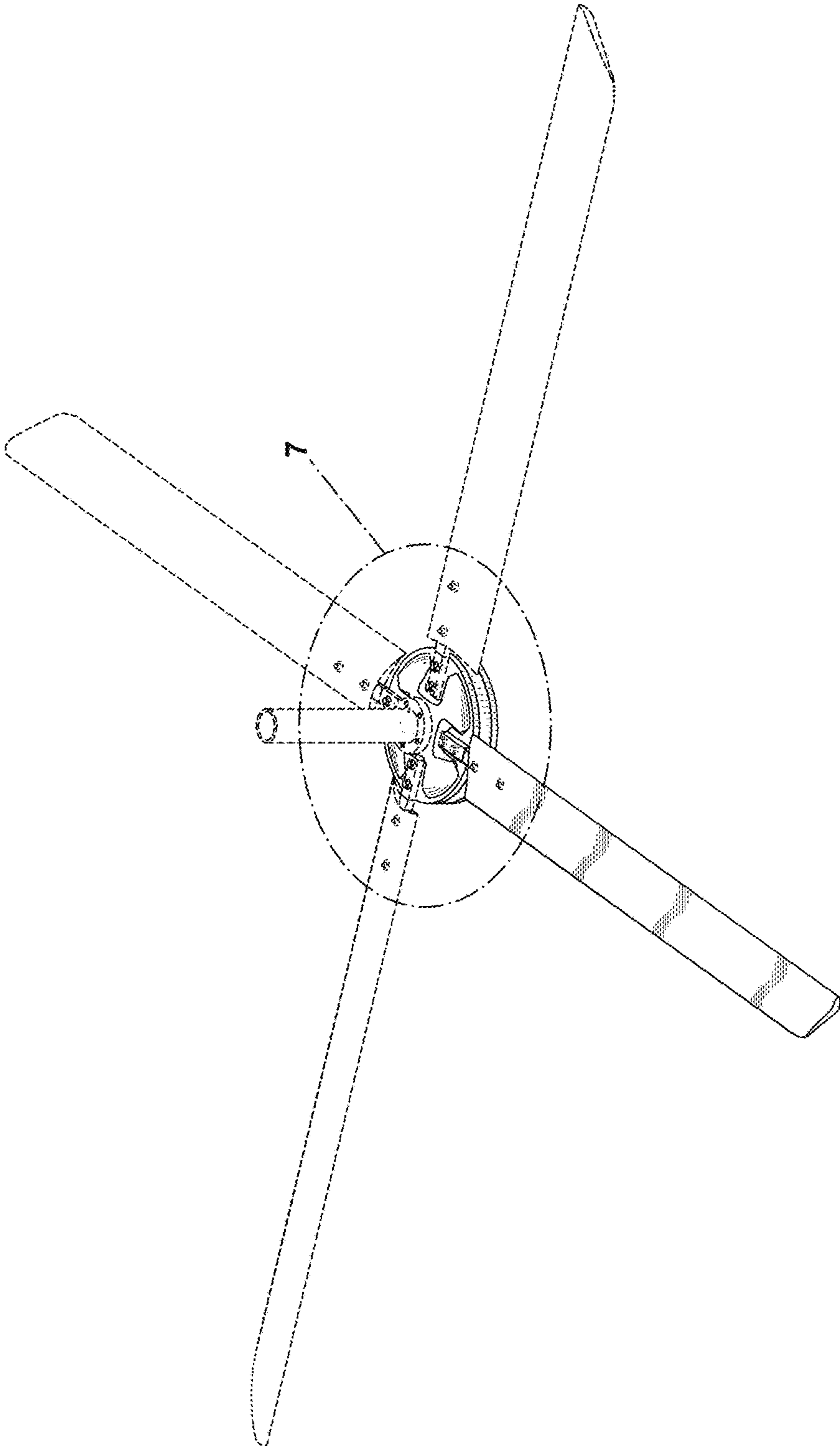


FIG. 1

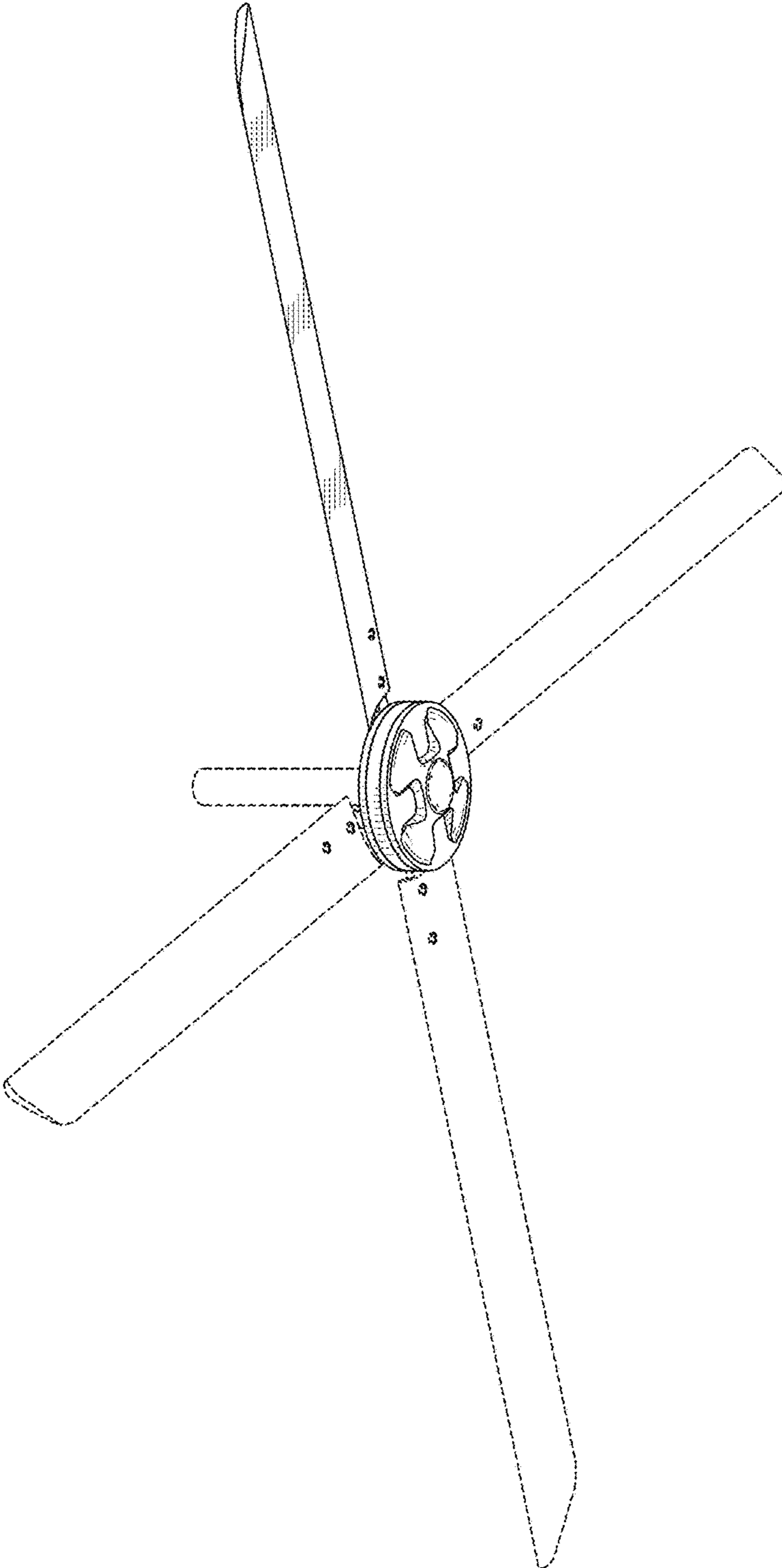


FIG. 2

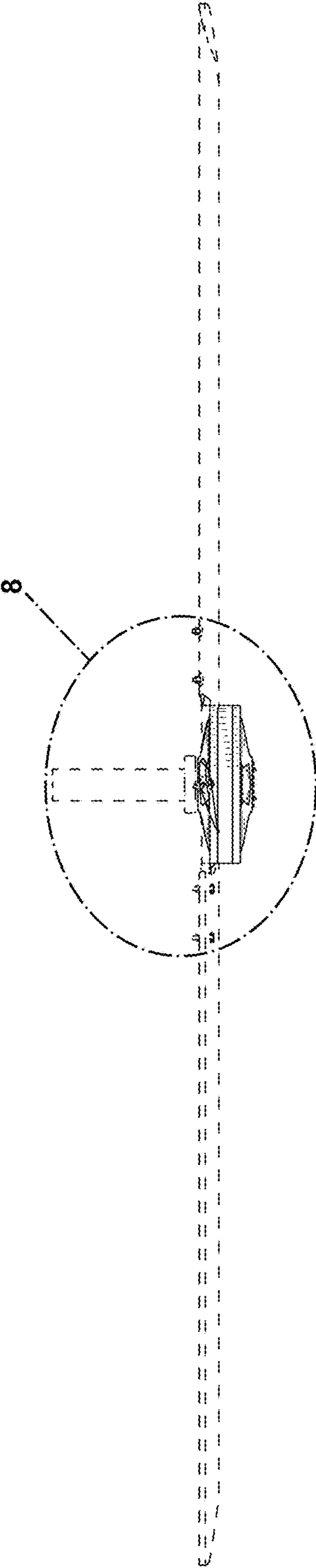


FIG. 3

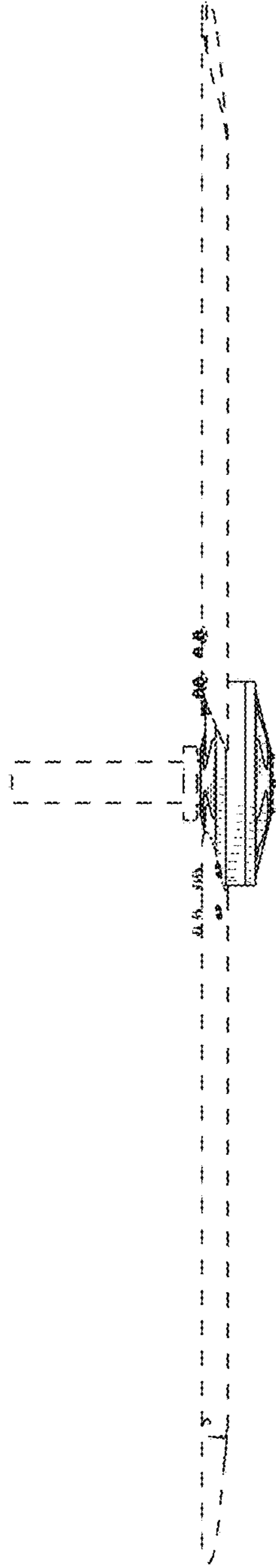


FIG. 4

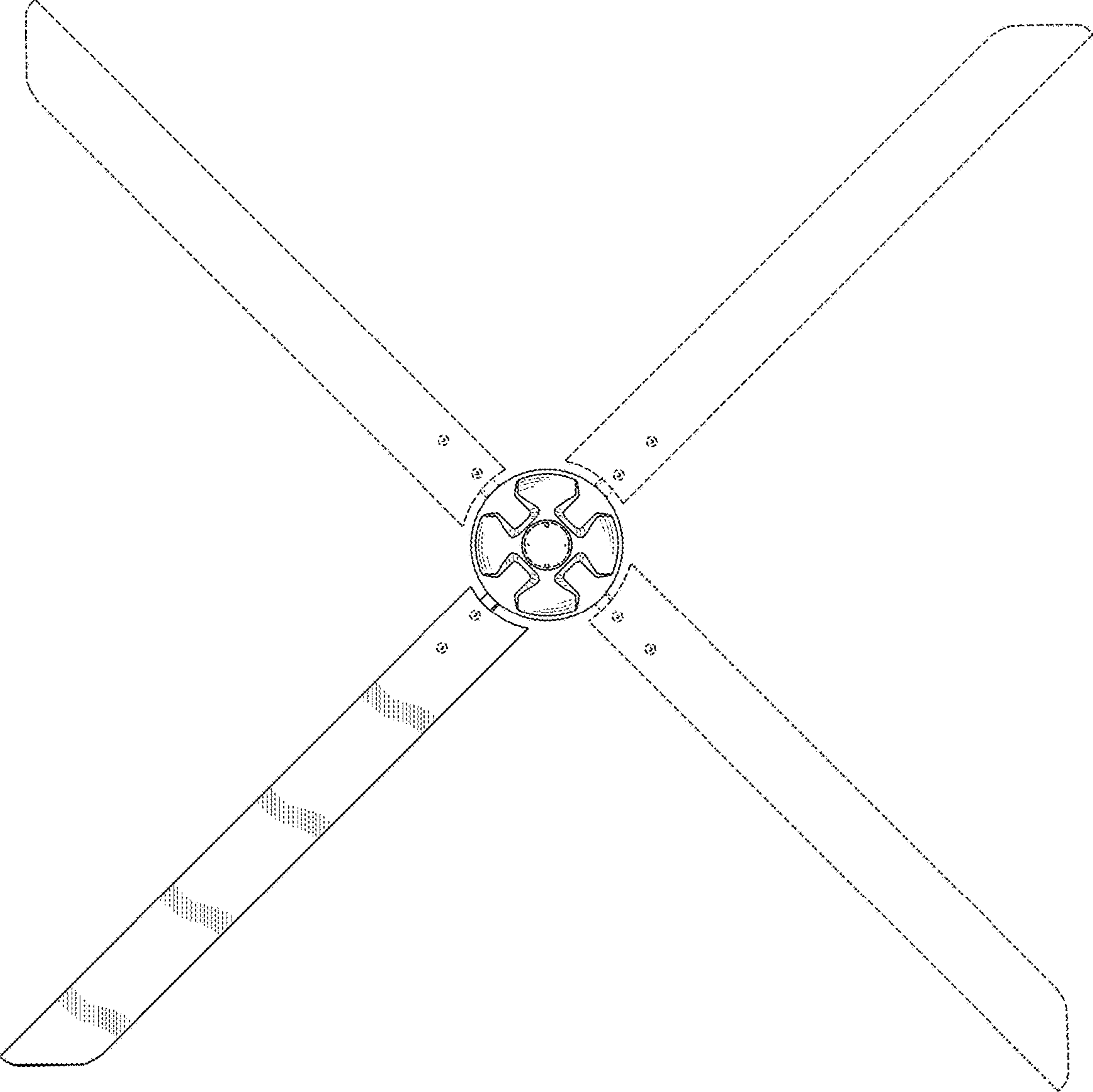


FIG. 5

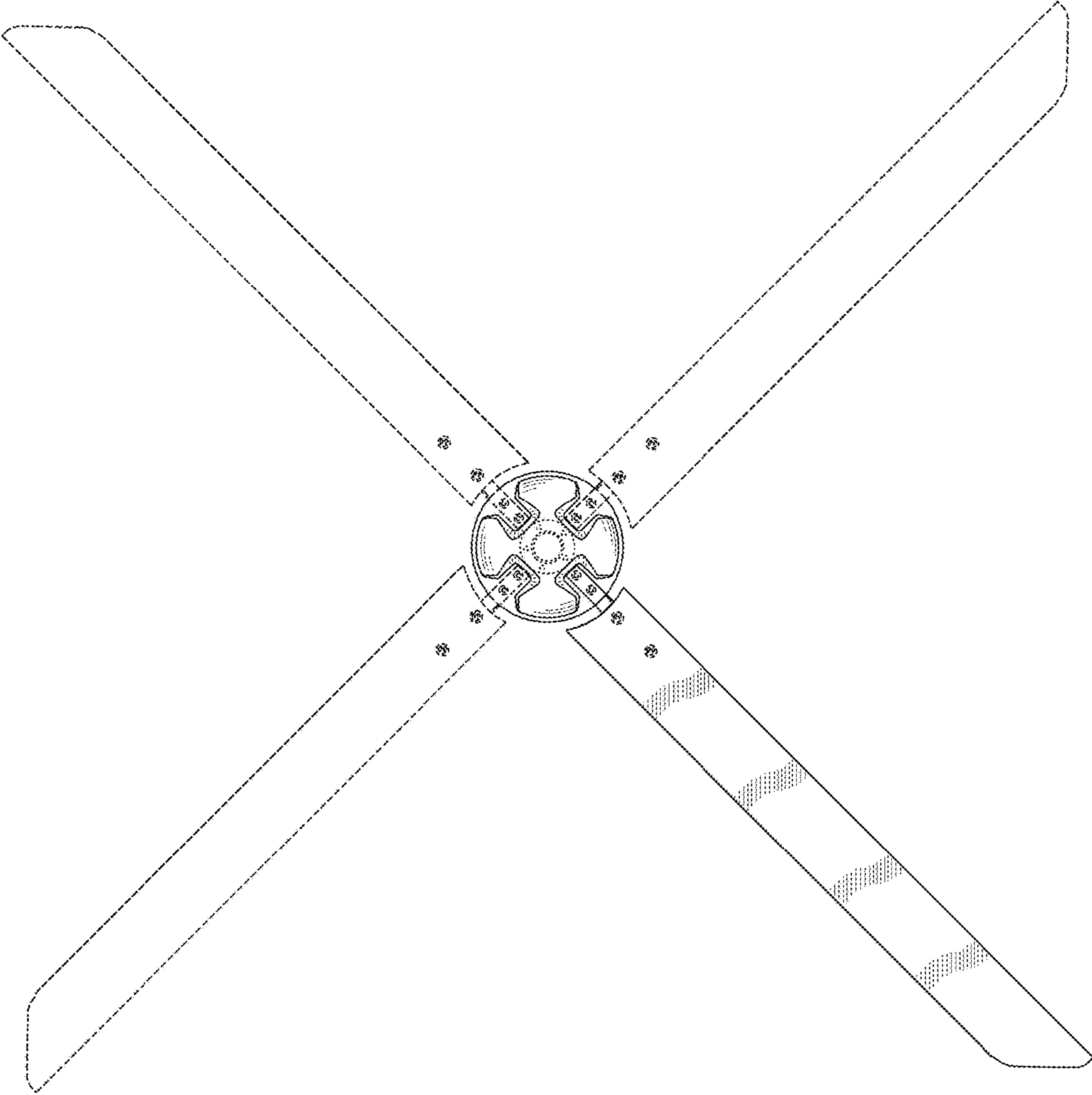


FIG. 6

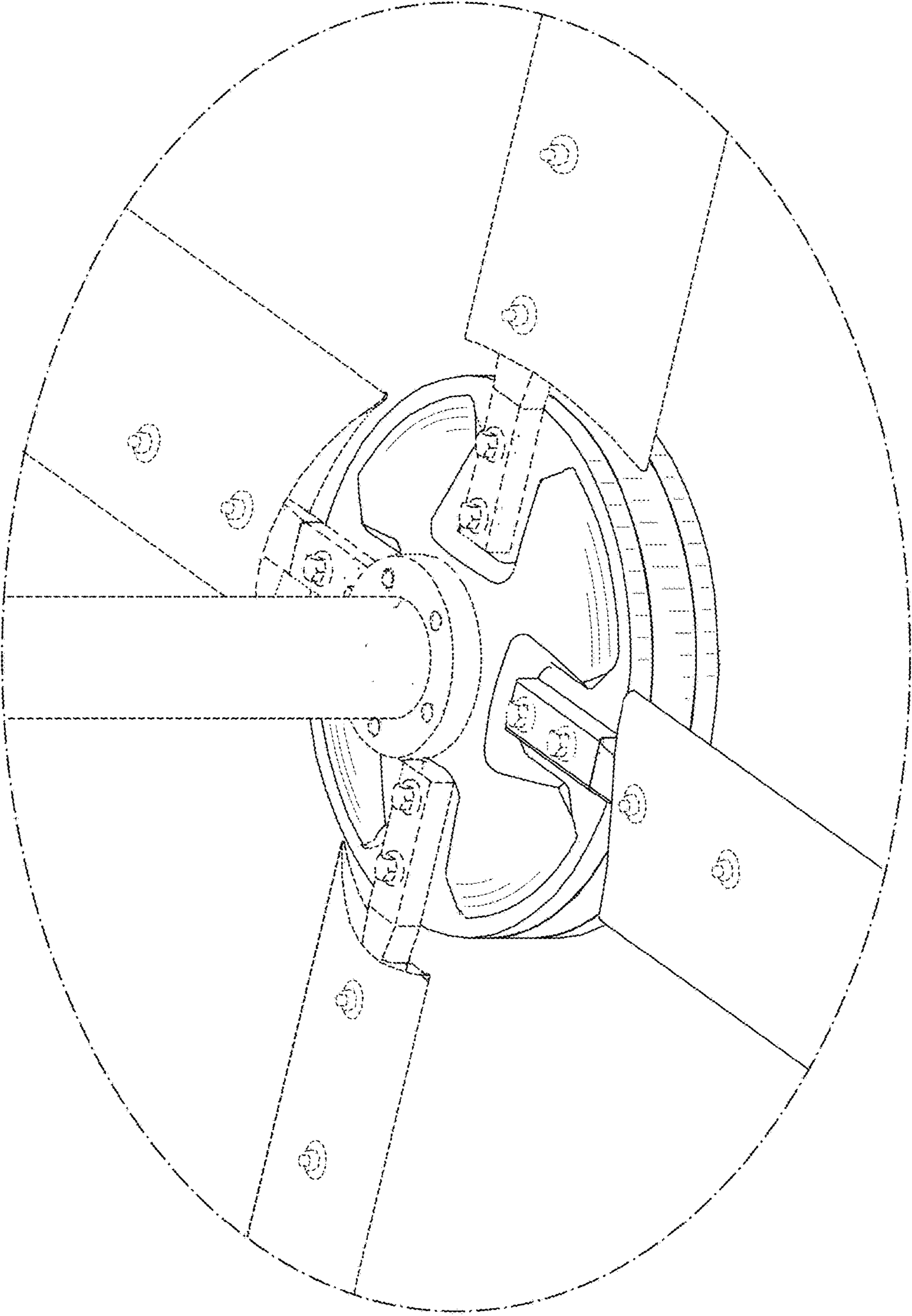


FIG. 7

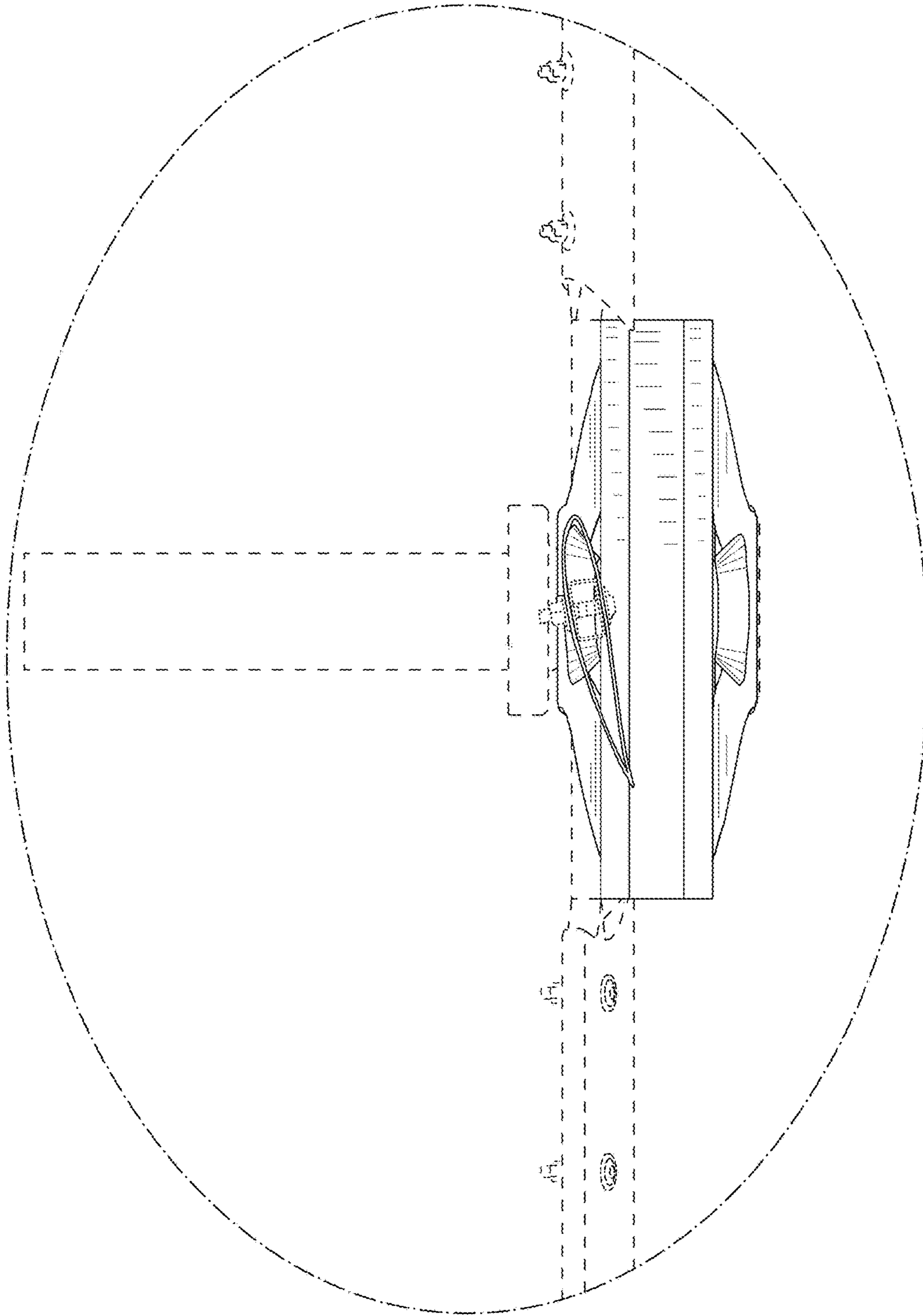


FIG. 8