



US00D856501S

(12) **United States Design Patent**  
**Netkin**

(10) **Patent No.:** **US D856,501 S**

(45) **Date of Patent:** **\*\* Aug. 13, 2019**

(54) **OIL FRAGRANCE DIFFUSER**

D800,285 S \* 10/2017 Seo ..... D23/358  
D810,261 S \* 2/2018 Chen ..... D23/366  
D813,366 S \* 3/2018 Tang ..... D23/366

(71) Applicant: **Osher Netkin**, Los Angeles, CA (US)

(72) Inventor: **Osher Netkin**, Los Angeles, CA (US)

(\*\*) Term: **15 Years**

(21) Appl. No.: **29/611,311**

(22) Filed: **Jul. 20, 2017**

(51) **LOC (12) Cl.** ..... **28-99**

(52) **U.S. Cl.**  
USPC ..... **D23/366**

(58) **Field of Classification Search**  
USPC ..... D23/314, 325, 333-336, 355-367,  
D23/386-388

CPC . A61L 9/03; A61L 9/012; A61L 9/015; A61L  
9/037

See application file for complete search history.

(56) **References Cited**

**U.S. PATENT DOCUMENTS**

D449,877 S \* 10/2001 Delmenico ..... D23/356  
D543,458 S \* 5/2007 Dittmer ..... D9/504  
D681,791 S \* 5/2013 Jorgensen ..... D23/366  
D696,763 S \* 12/2013 Li ..... D23/366  
D698,429 S \* 1/2014 Jorgensen ..... D23/366  
D720,063 S \* 12/2014 Li ..... D23/366  
D732,653 S \* 6/2015 Hsiao ..... D23/366  
D733,859 S \* 7/2015 Hsiao ..... D23/366  
D753,279 S \* 4/2016 Li ..... D23/366  
D772,391 S \* 11/2016 Zimmerli ..... D23/366

**OTHER PUBLICATIONS**

Ultrasonic Oil Diffuser found online [Jun. 29, 2018]—[https://www.walmart.com/ip/Ultrasonic-Oil-Diffuser-Set-16-Pure-Essential-Oils-10mL-Natural-Aromatherapy/415708599?wmlspartner=wlpas&selectedSellerId=0&adid=2222222227071818295&wmlspartner=wmtlabs&w10=&w11=g&w12=c&w13=182892252382&w14=pla-287413267108&w15=9008192&w.\\*](https://www.walmart.com/ip/Ultrasonic-Oil-Diffuser-Set-16-Pure-Essential-Oils-10mL-Natural-Aromatherapy/415708599?wmlspartner=wlpas&selectedSellerId=0&adid=2222222227071818295&wmlspartner=wmtlabs&w10=&w11=g&w12=c&w13=182892252382&w14=pla-287413267108&w15=9008192&w.*)

\* cited by examiner

*Primary Examiner* — Lakiya G Rogers

*Assistant Examiner* — John A Voytek

(74) *Attorney, Agent, or Firm* — Fulwider Patton LLP

(57) **CLAIM**

The ornamental design for an oil fragrance diffuser, as shown and described.

**DESCRIPTION**

FIG. 1 is a perspective view of an oil fragrance diffuser showing my new design;

FIG. 2 is a front side elevation view thereof;

FIG. 3 is a rear side elevation view thereof;

FIG. 4 is a left side elevational view thereof;

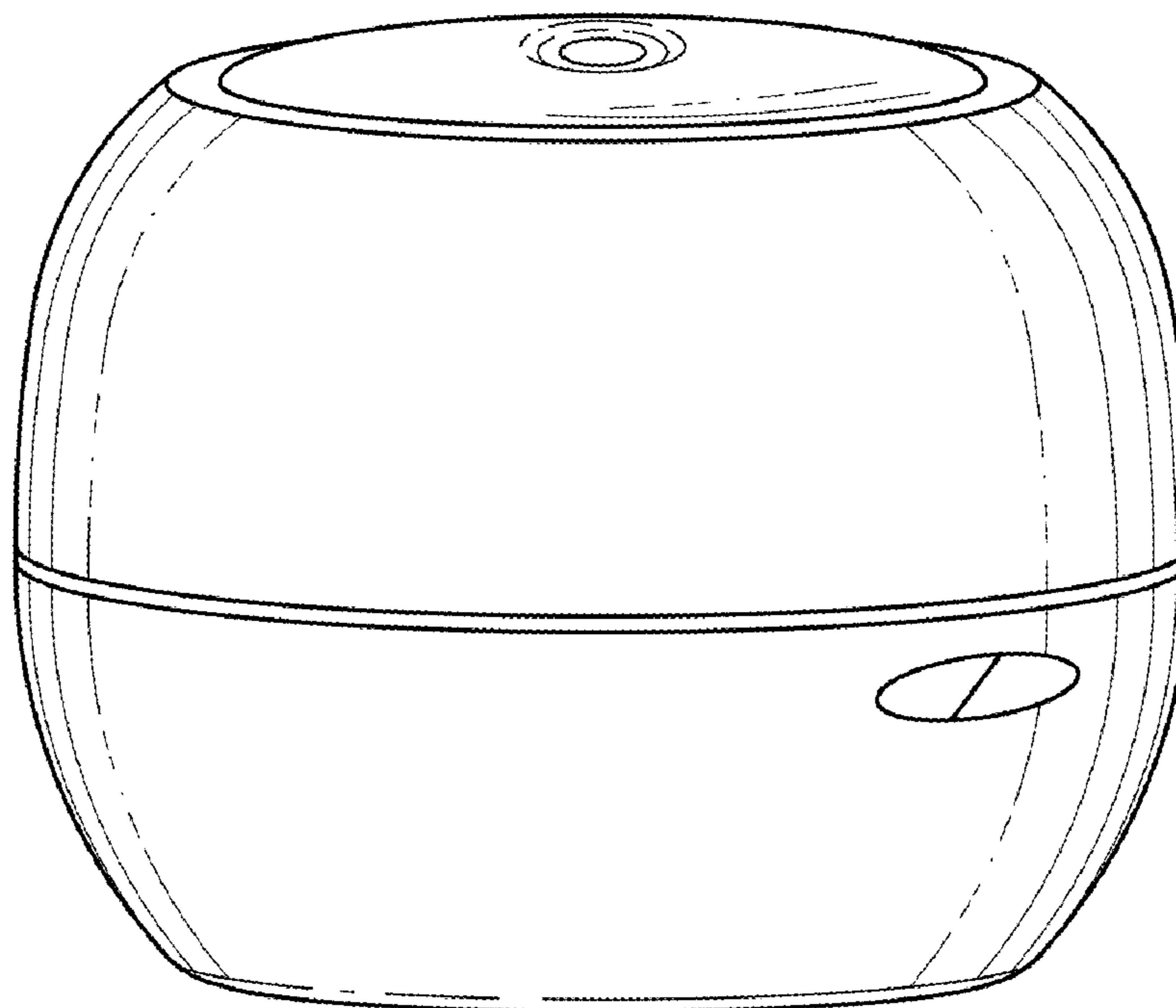
FIG. 5 is a right side elevational view thereof;

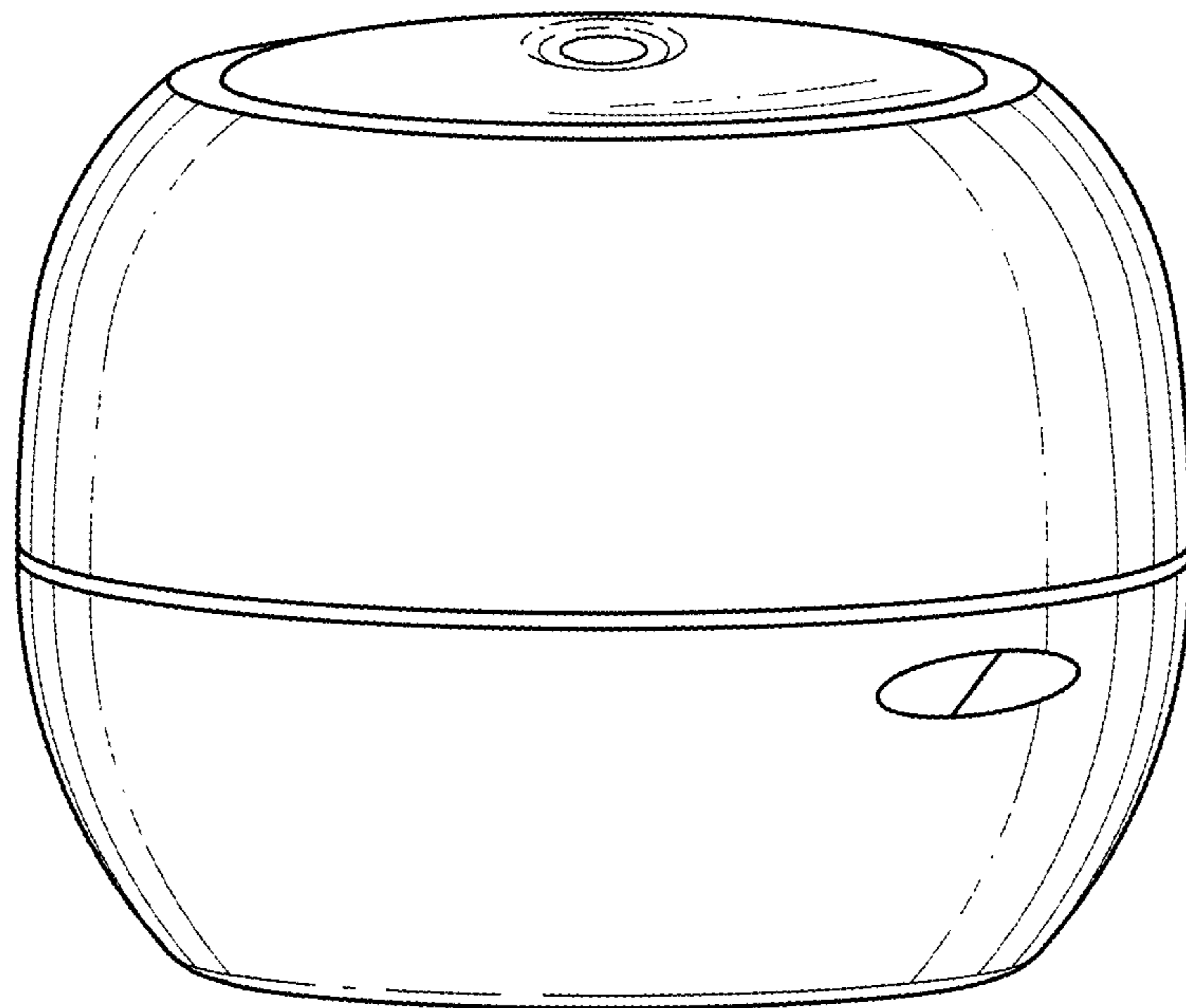
FIG. 6 is a top plain view thereof; and,

FIG. 7 is a bottom plain view thereof.

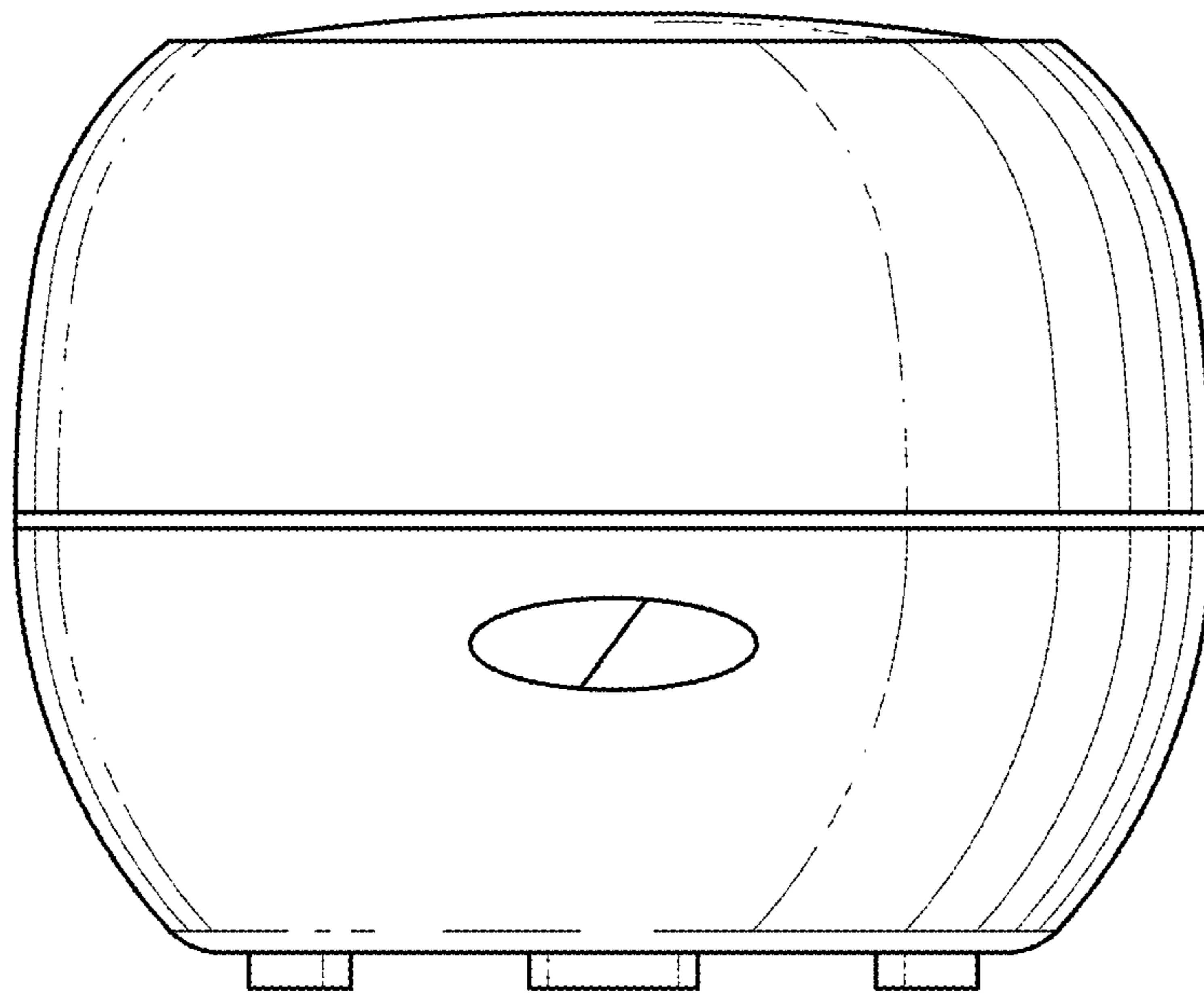
The features shown in broken lines with consistent dash lengths illustrate ornamentation, features and/or environment that form no part of the claimed design.

**1 Claim, 4 Drawing Sheets**

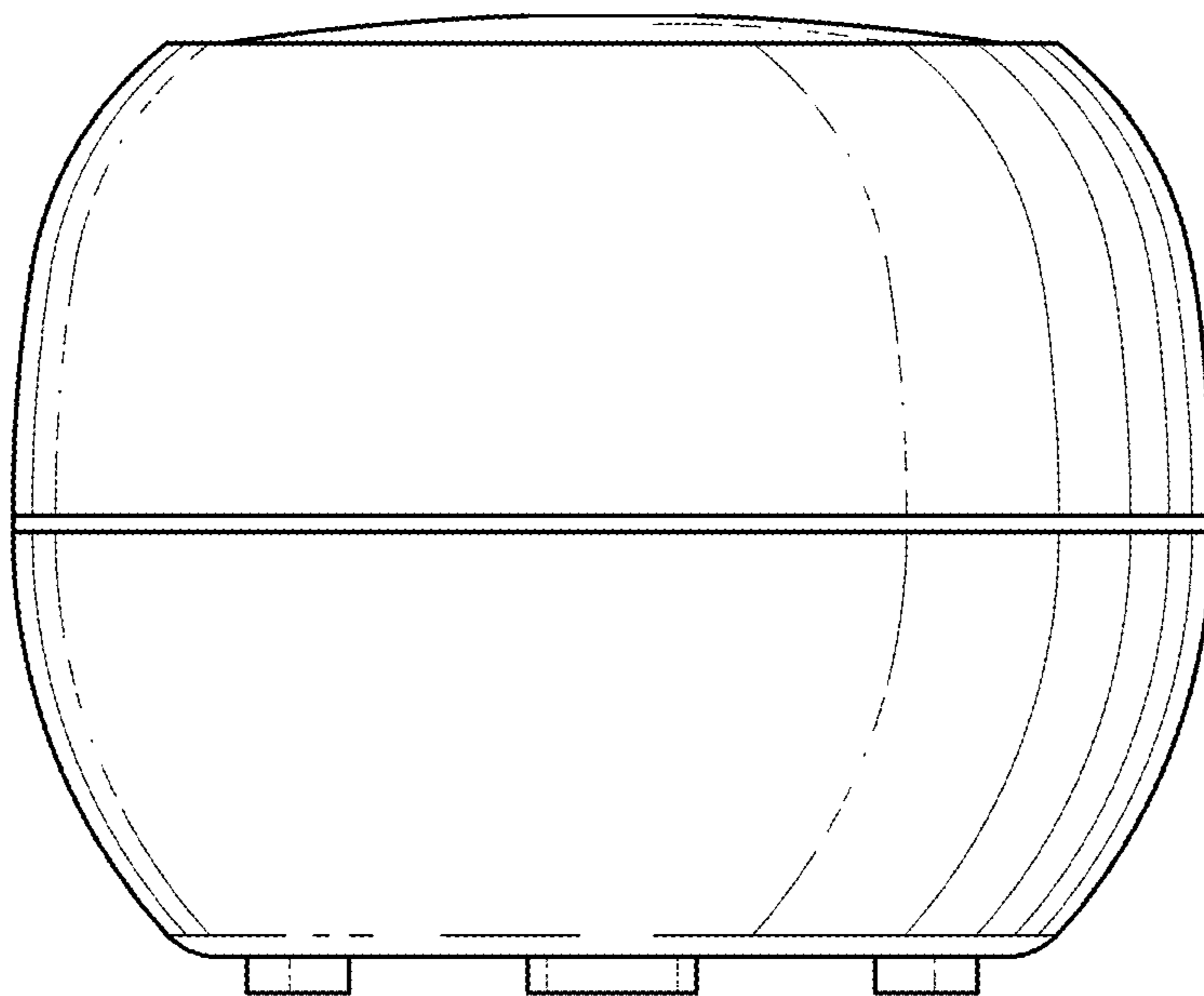




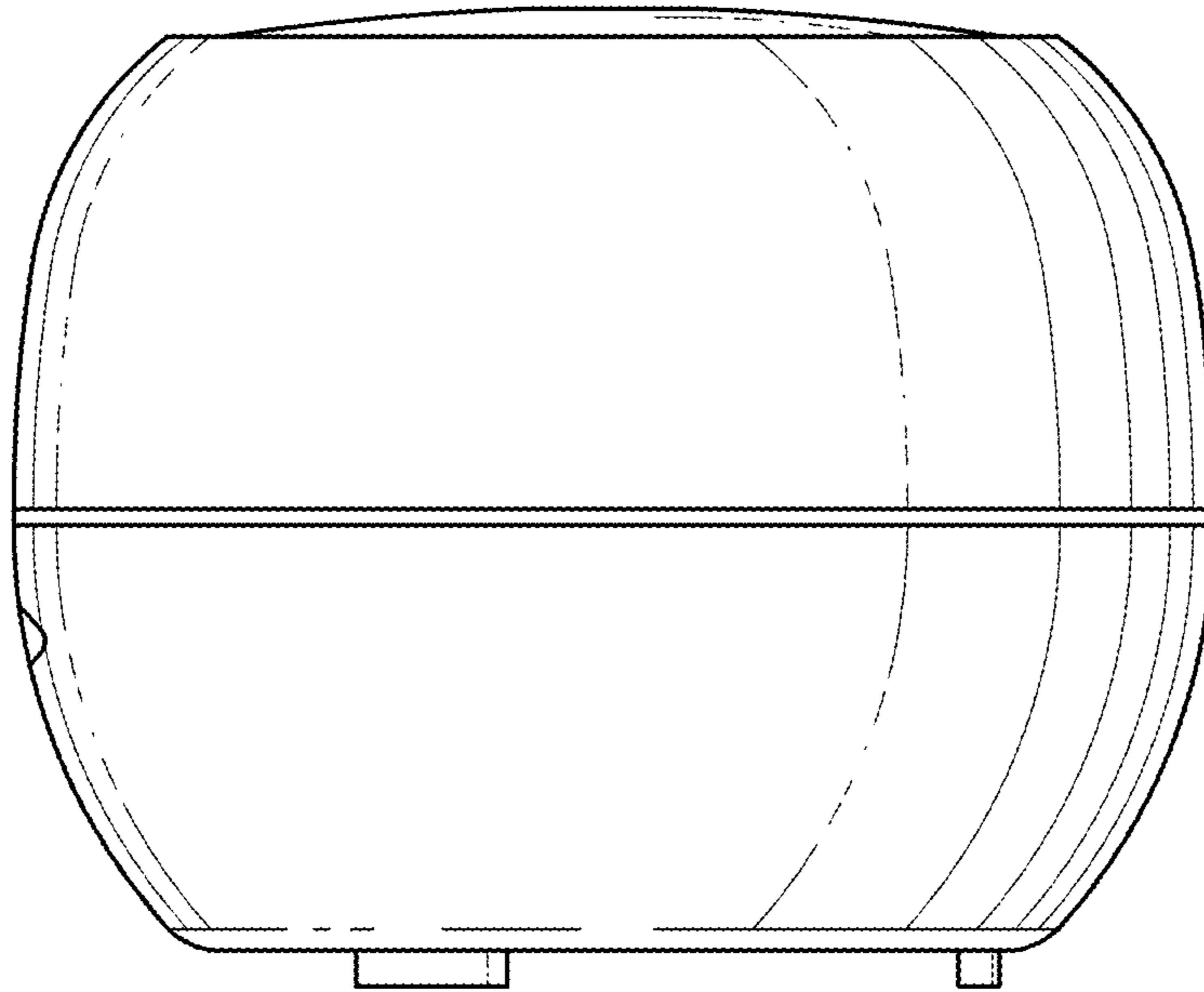
*FIG. 1*



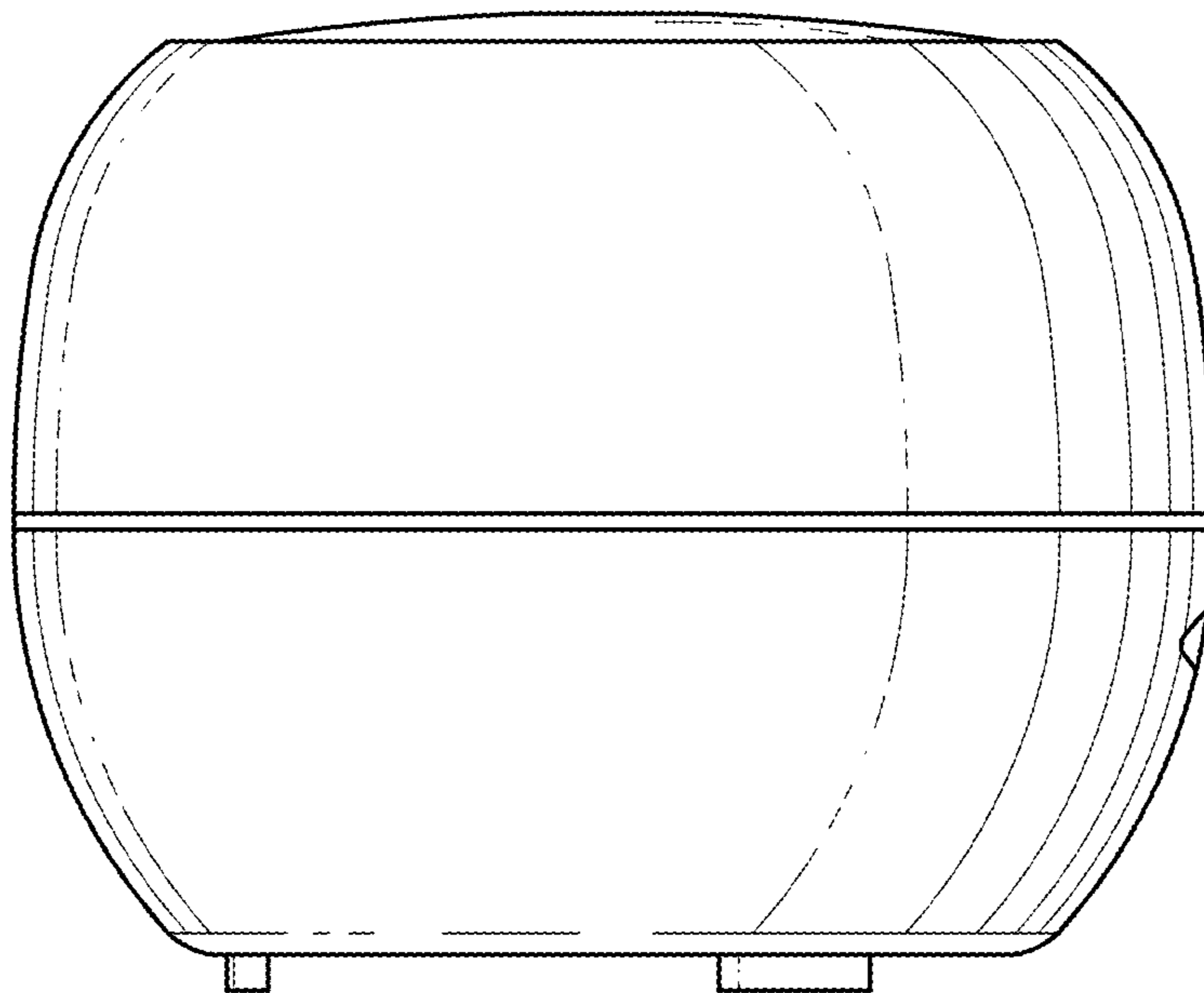
*FIG. 2*



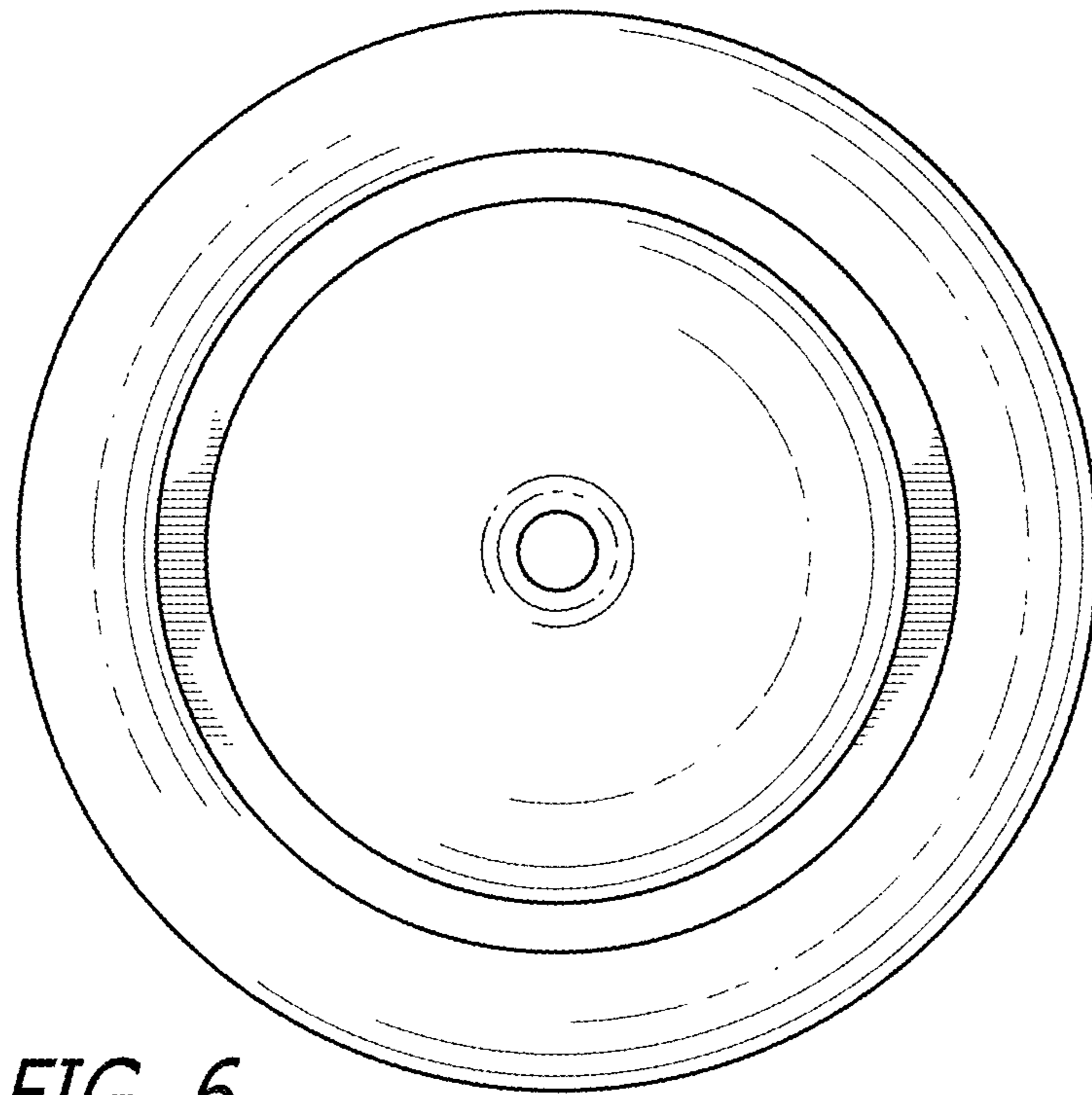
*FIG. 3*



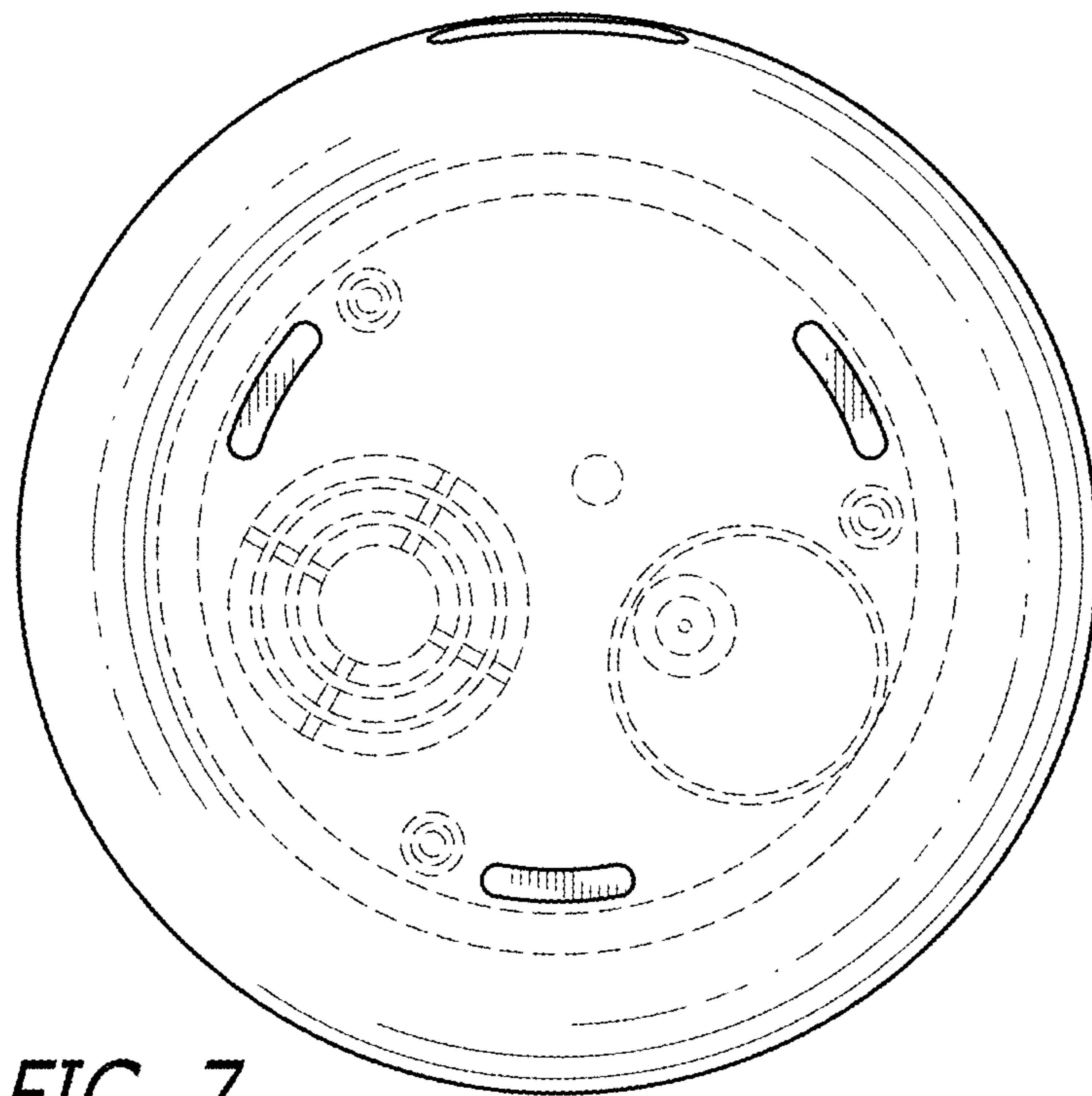
*FIG. 4*



*FIG. 5*



*FIG. 6*



*FIG. 7*