



US00D856500S

(12) **United States Design Patent** (10) **Patent No.:** **US D856,500 S**
Yoo et al. (45) **Date of Patent:** **** Aug. 13, 2019**

(54) **CABINET WITH DEHUMIDIFIER**
(71) Applicant: **LG ELECTRONICS INC.**, Seoul (KR)
(72) Inventors: **Taewoo Yoo**, Seoul (KR); **Junghwan Lee**, Seoul (KR); **Kyungah Lee**, Seoul (KR); **Hyewon Kim**, Seoul (KR); **Jeaseok Seong**, Seoul (KR)
(73) Assignee: **LG ELECTRONICS INC.**, Seoul (KR)

(**) Term: **15 Years**
(21) Appl. No.: **35/504,060**
(22) Filed: **Jun. 5, 2017**

(80) **Hague Agreement Data**
Int. Filing Date: **Jun. 5, 2017**
Int. Reg. No.: **DM/098458**
Int. Reg. Date: **Jun. 5, 2017**
Int. Reg. Pub. Date: **Dec. 1, 2017**

(30) **Foreign Application Priority Data**
Dec. 5, 2016 (KR) 30-2016-0058856
(51) **LOC (12) Cl.** **23-04**
(52) **U.S. Cl.**
USPC **D23/359**
(58) **Field of Classification Search**
USPC D26/333, 341, 355, 359, 364; D6/663, D6/703.5

(Continued)
(56) **References Cited**
U.S. PATENT DOCUMENTS
D468,555 S * 1/2003 Romaen D6/667
6,946,103 B1 * 9/2005 Spiegel B01D 53/323
422/186

(Continued)

Primary Examiner — Mary Ann Calabrese
(74) *Attorney, Agent, or Firm* — Birch, Stewart, Kolasch & Birch, LLP

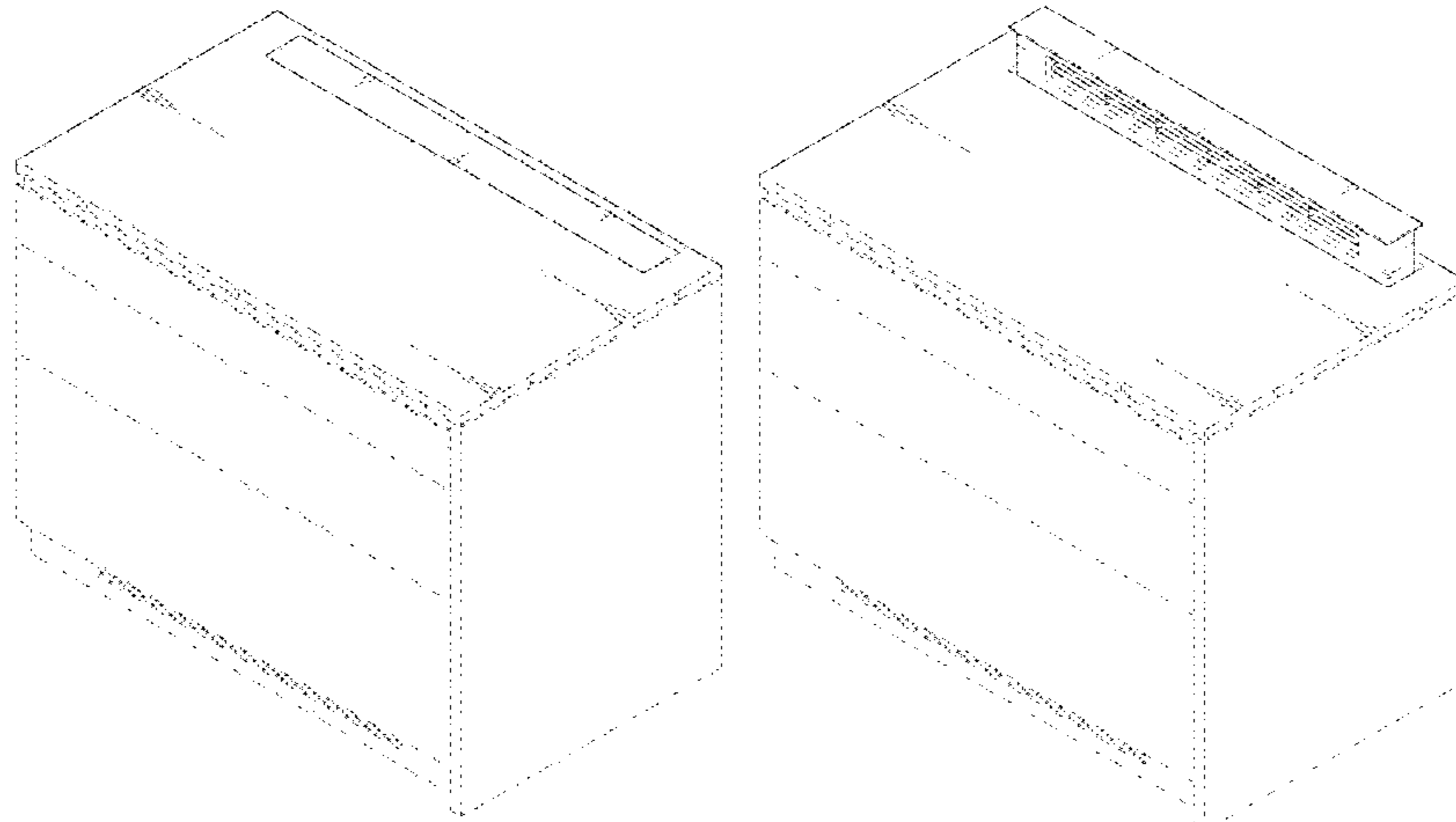
(57) **CLAIM**
The ornamental design for a cabinet with dehumidifier, as shown and described.

DESCRIPTION

- 1. Cabinet with dehumidifier
- 1.1 : Perspective
- 1.2 : Front
- 1.3 : Back
- 1.4 : Left
- 1.5 : Right
- 1.6 : Top
- 1.7 : Bottom
- 1.8 : Perspective
- 1.9 : Front
- 1.10 : Back
- 1.11 : Left
- 1.12 : Right
- 1.13 : Top
- 1.14 : Bottom

The broken lines depict portions of the cabinet with dehumidifier that form no part of the claimed design; the dash-dot broken lines define the boundary of the claimed design and form no part thereof; reproduction 1.1 is a front perspective view of the cabinet with dehumidifier; reproduction 1.8 is a front perspective view thereof in a condition that the dehumidifier is in operation; reproductions 1.2 and 1.9 are front views of reproductions 1.1 and 1.8, respectively; reproductions 1.3 and 1.10 are back views of reproductions 1.1 and 1.8, respectively; reproductions 1.4 and 1.11 are left views of reproductions 1.1 and 1.8, respectively; reproductions 1.5 and 1.12 are right views of reproductions 1.1 and 1.8, respectively; reproductions 1.6 and 1.13 are top views of reproductions 1.1 and 1.8, respectively; and reproductions 1.7 and 1.14 are bottom views of reproductions 1.1 and 1.8, respectively.

1 Claim, 14 Drawing Sheets



(58) **Field of Classification Search**

CPC B01D 52/261; F24D 21/14; F24F 2/14;
F24F 2/1405; F24F 2/1411; F24F 13/00;
F24F 13/20

See application file for complete search history.

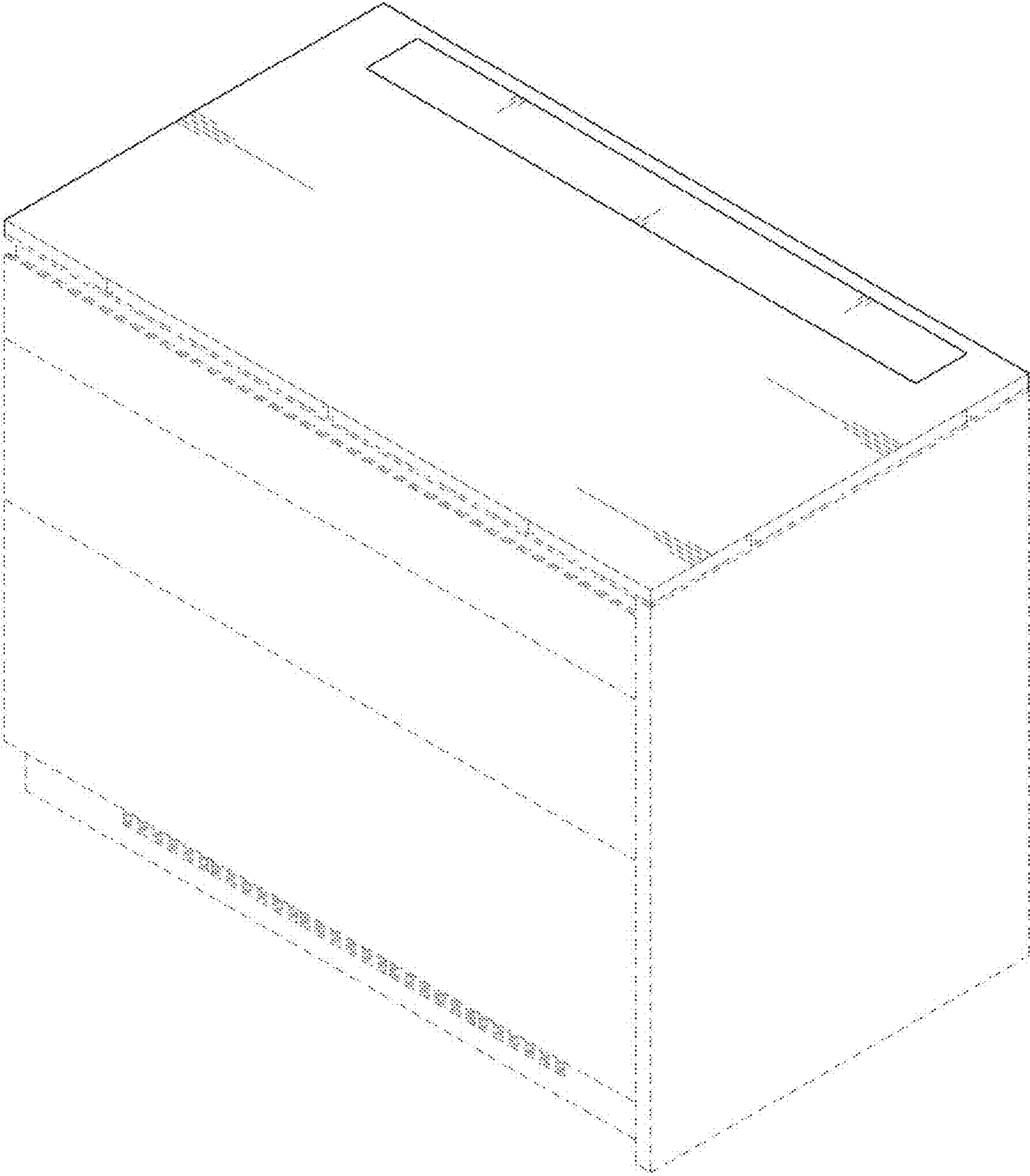
(56) **References Cited**

U.S. PATENT DOCUMENTS

D613,387 S * 4/2010 Satou B01D 53/261
D23/364
D660,947 S * 5/2012 Varma D23/333
D785,773 S * 5/2017 Shin F24F 3/1405
D23/359
9,689,579 B2 * 6/2017 Jung F24F 3/1405
9,920,976 B2 * 3/2018 Lee F25D 21/14
D6/667
2006/0278085 A1 * 12/2006 Kim B01D 53/261
96/140
2007/0062370 A1 * 3/2007 Ahn F24F 3/1423
95/115
2009/0158935 A1 * 6/2009 Kim F24F 13/20
96/189
2016/0131372 A1 * 5/2016 Choi F24F 3/14
62/189

* cited by examiner

1.1



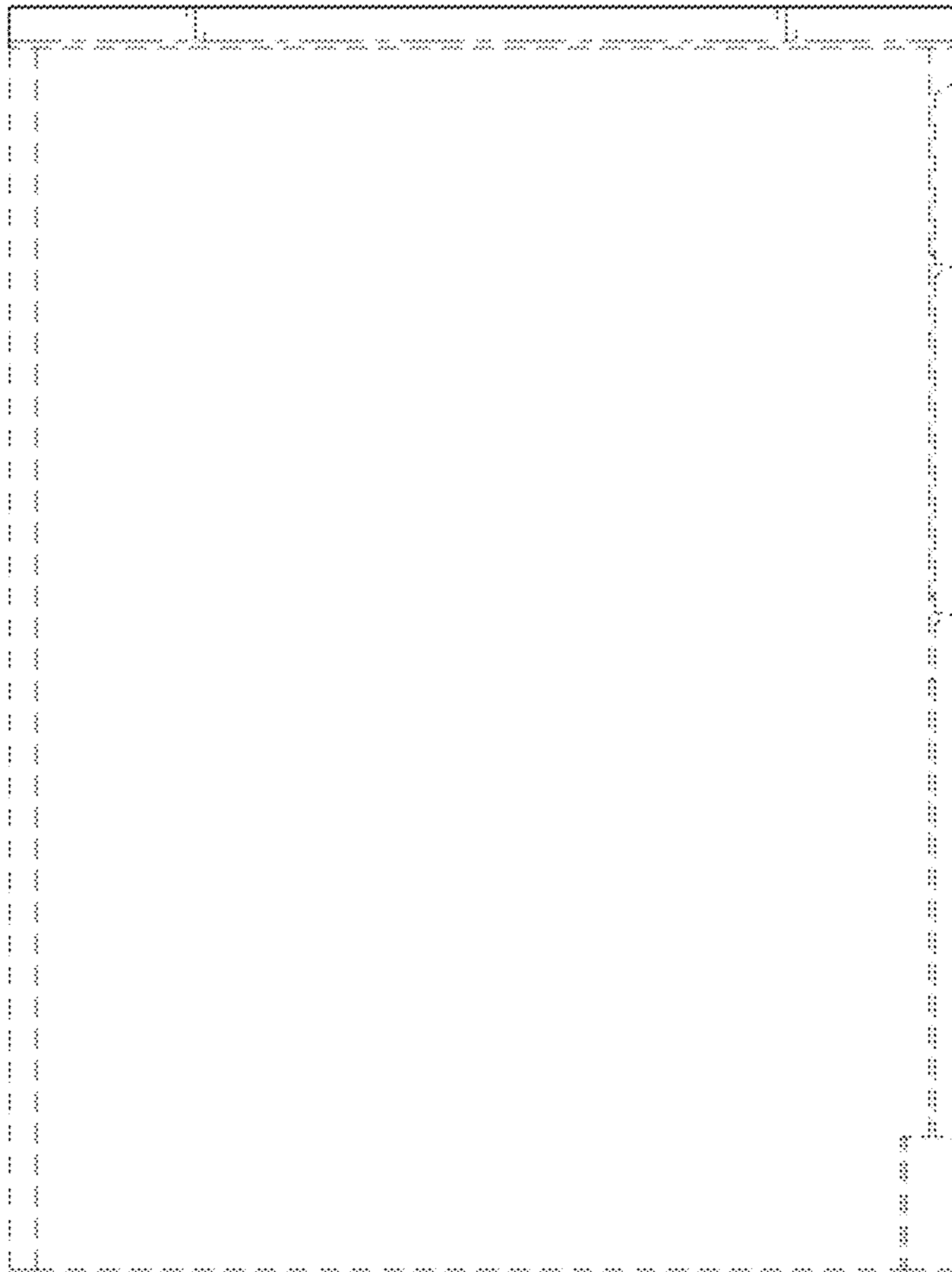
1.2



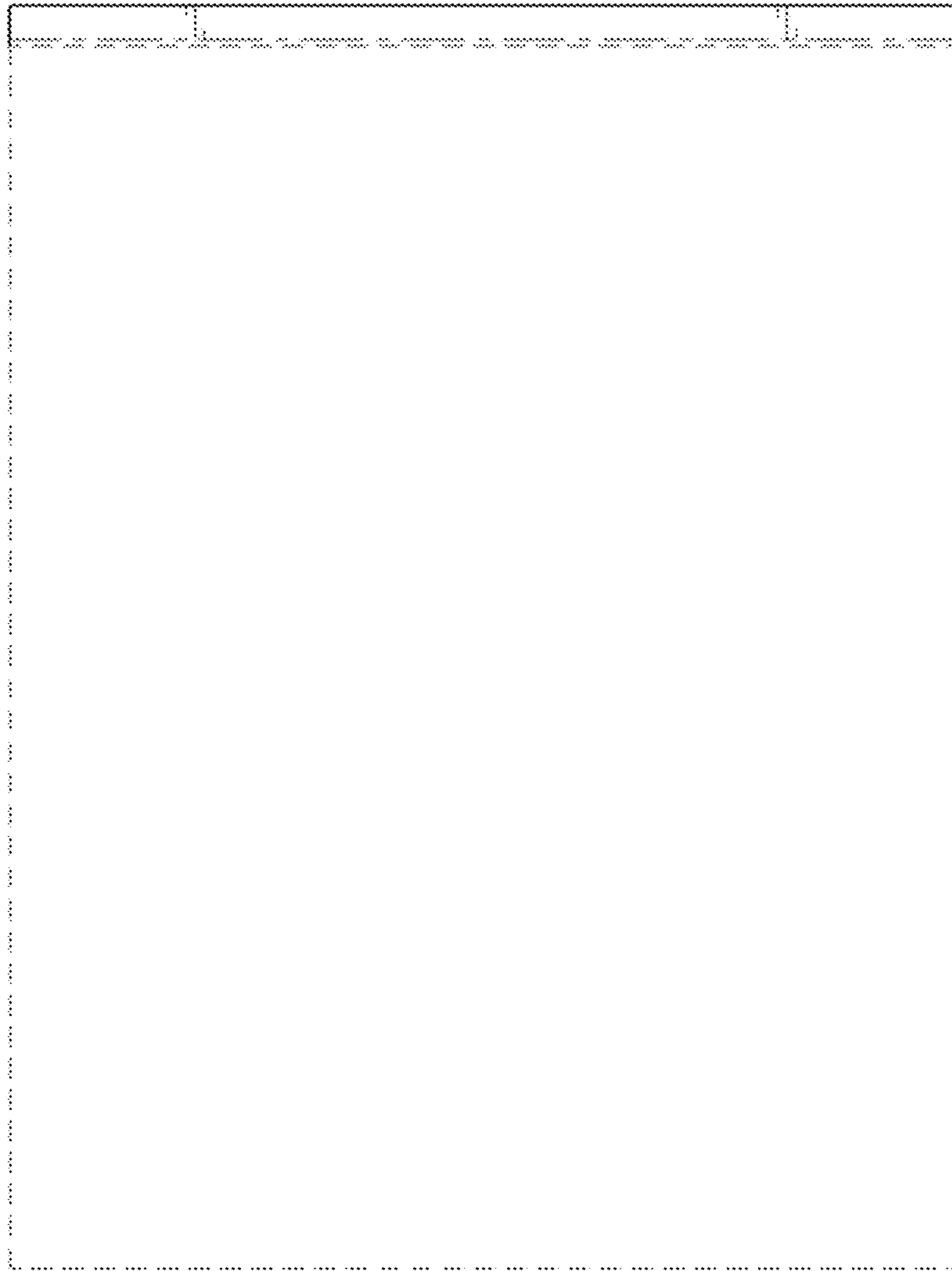
1.3



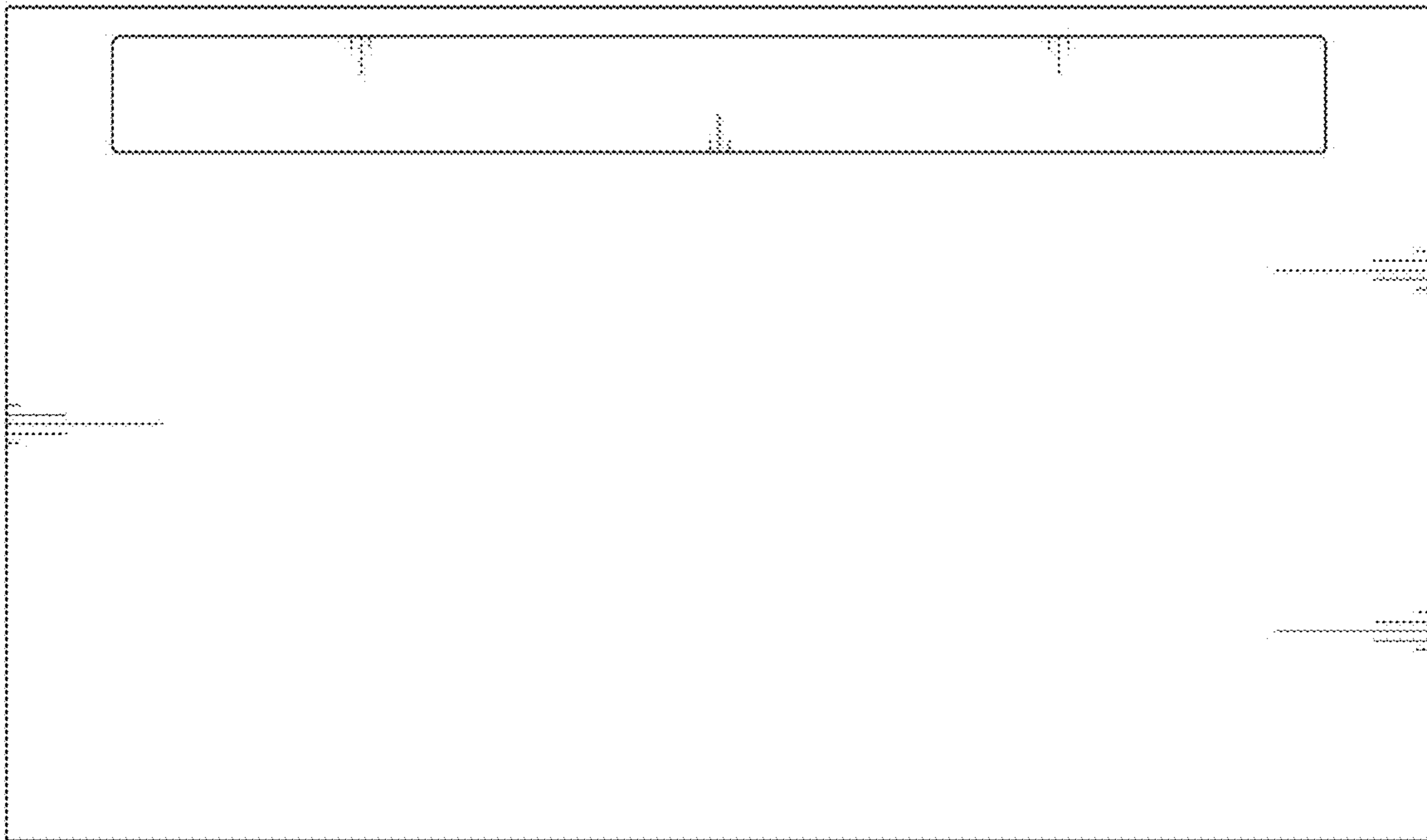
1.4



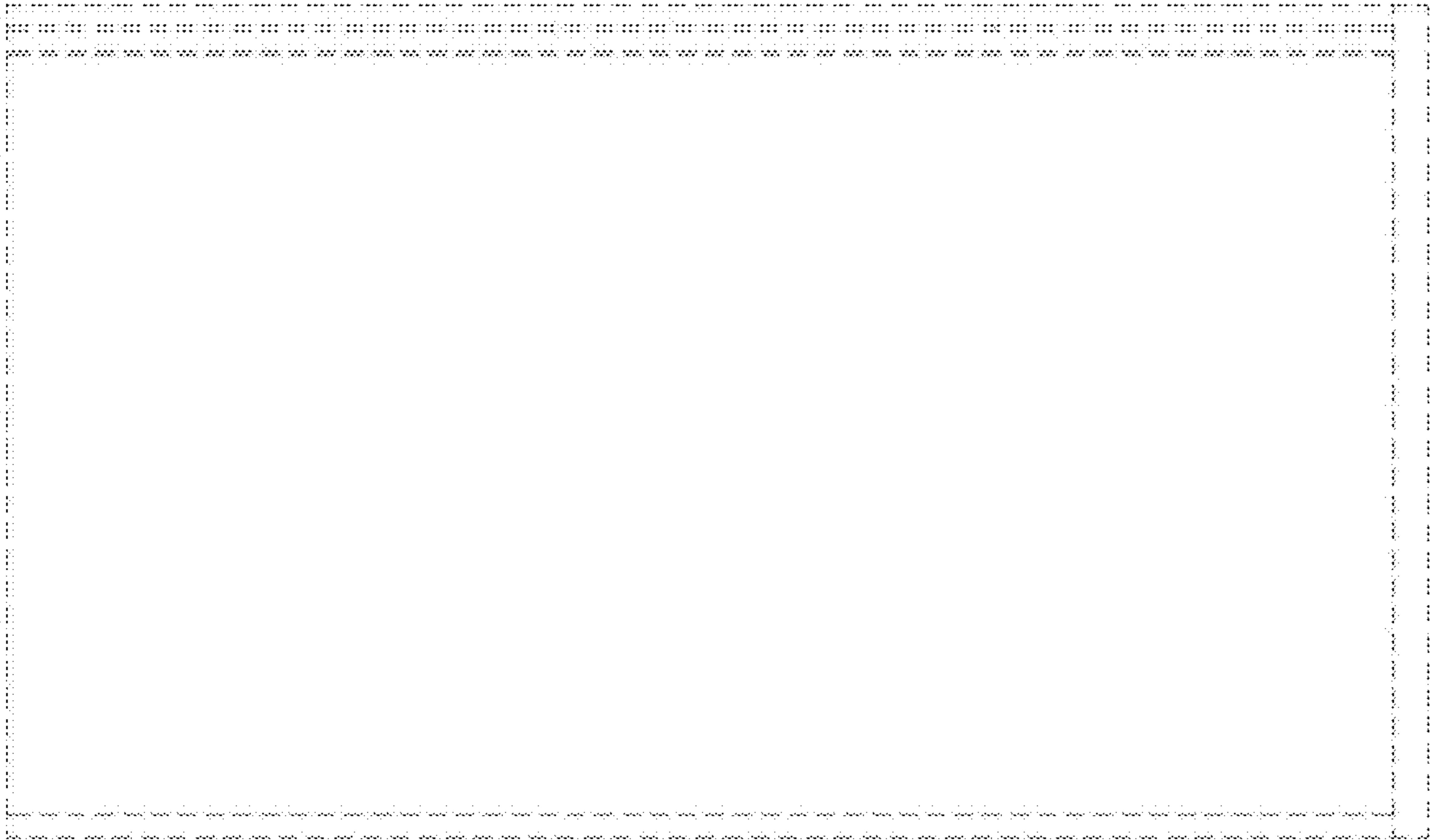
1.5



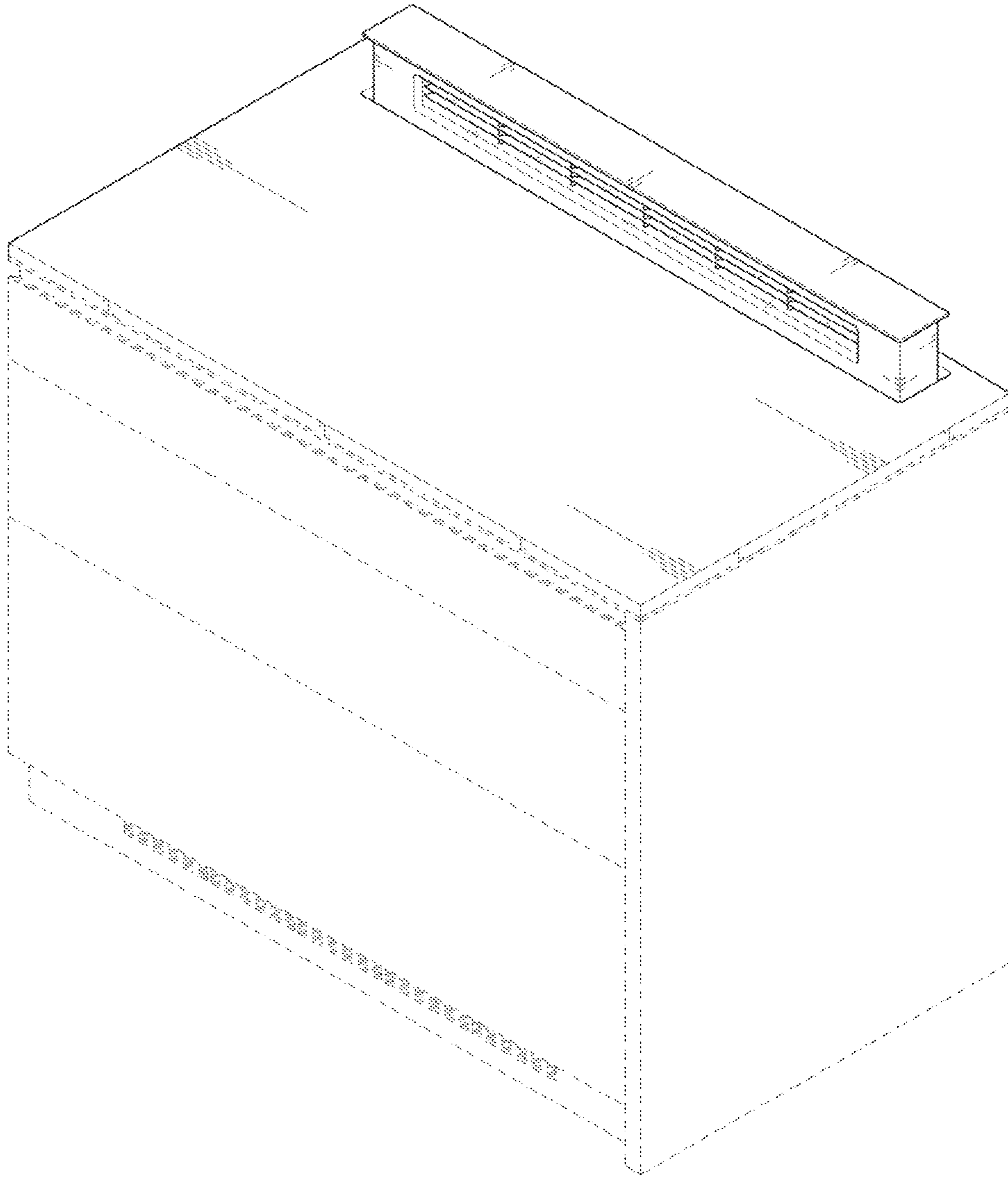
1.6



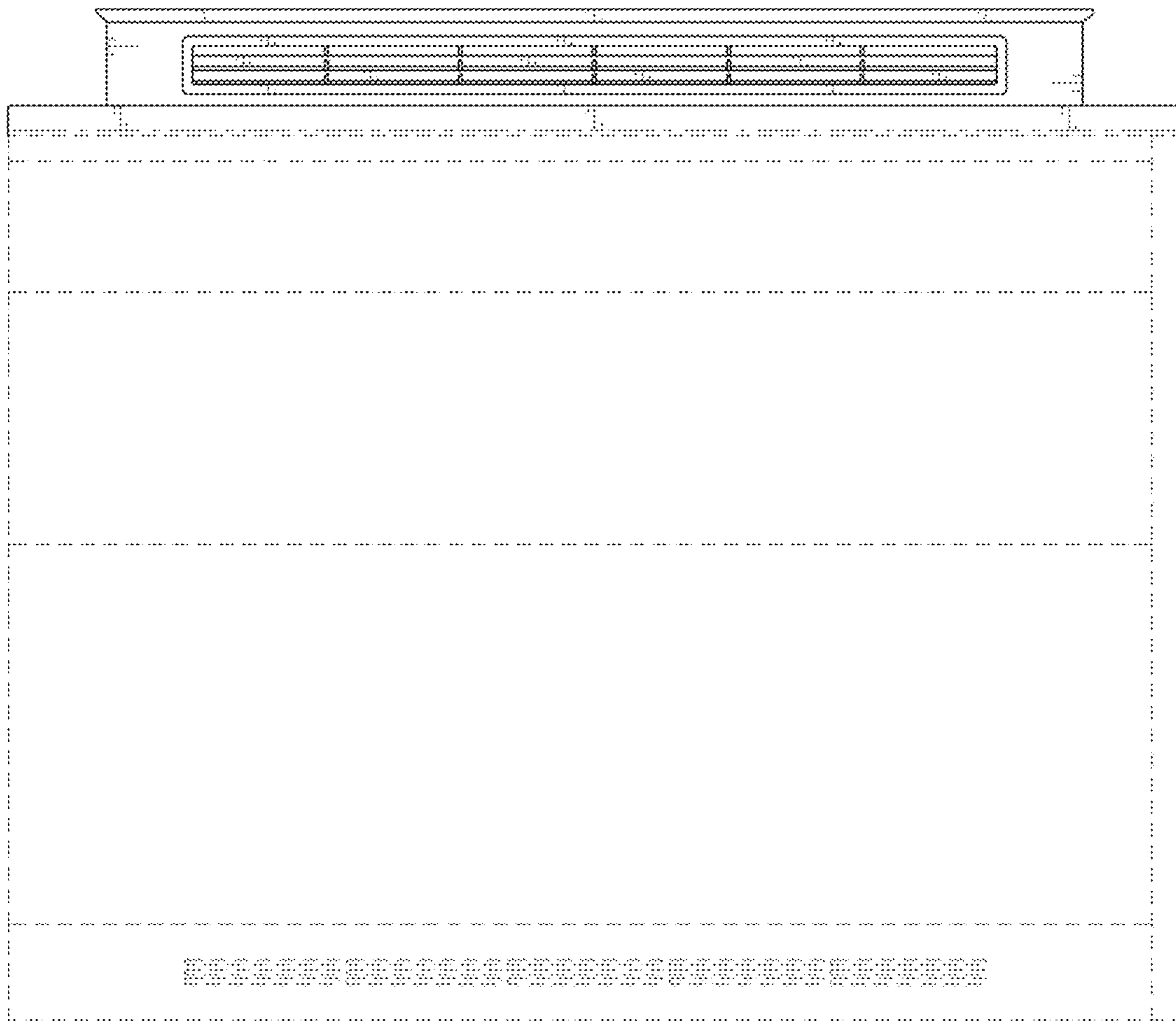
1.7



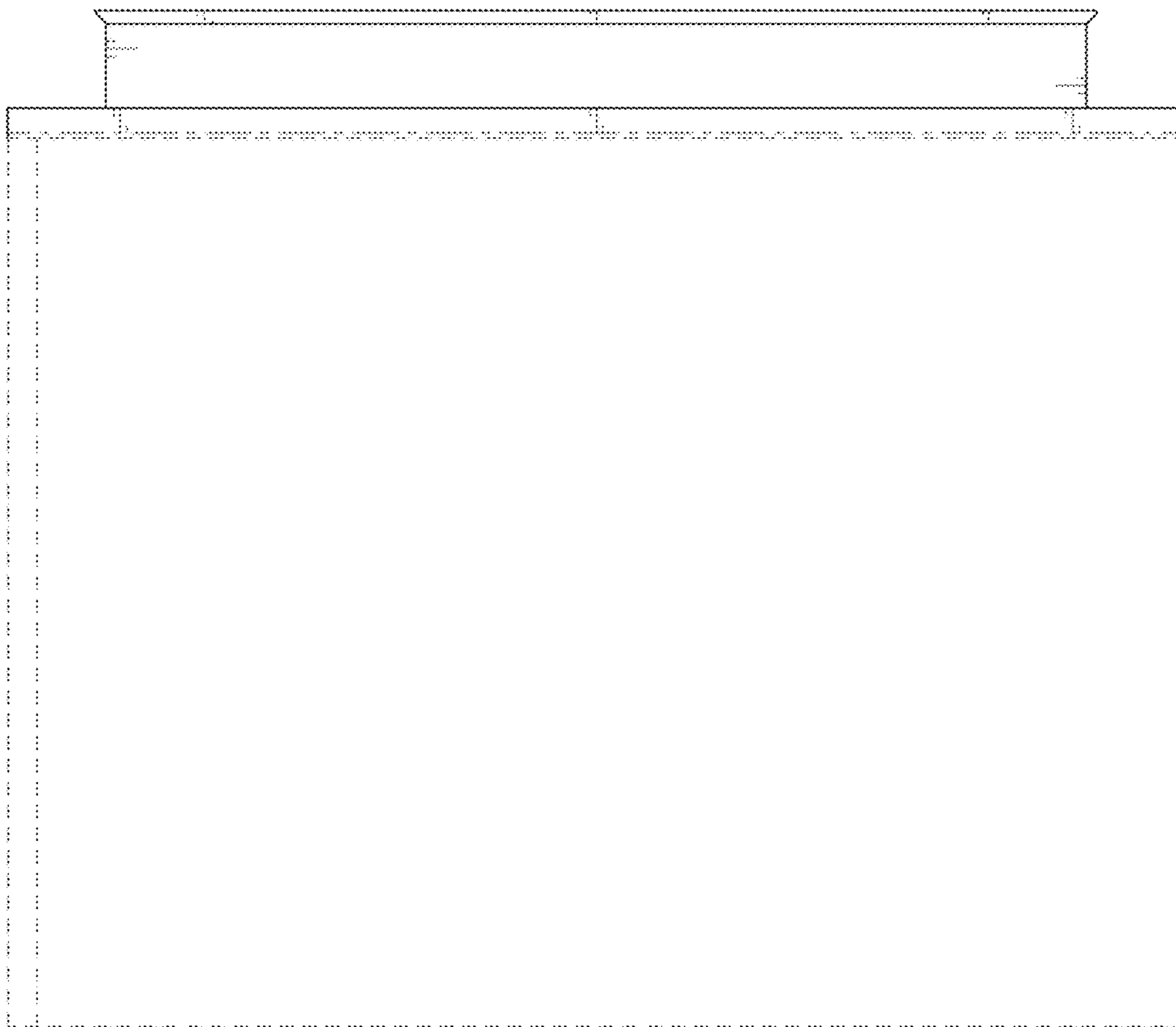
1.8



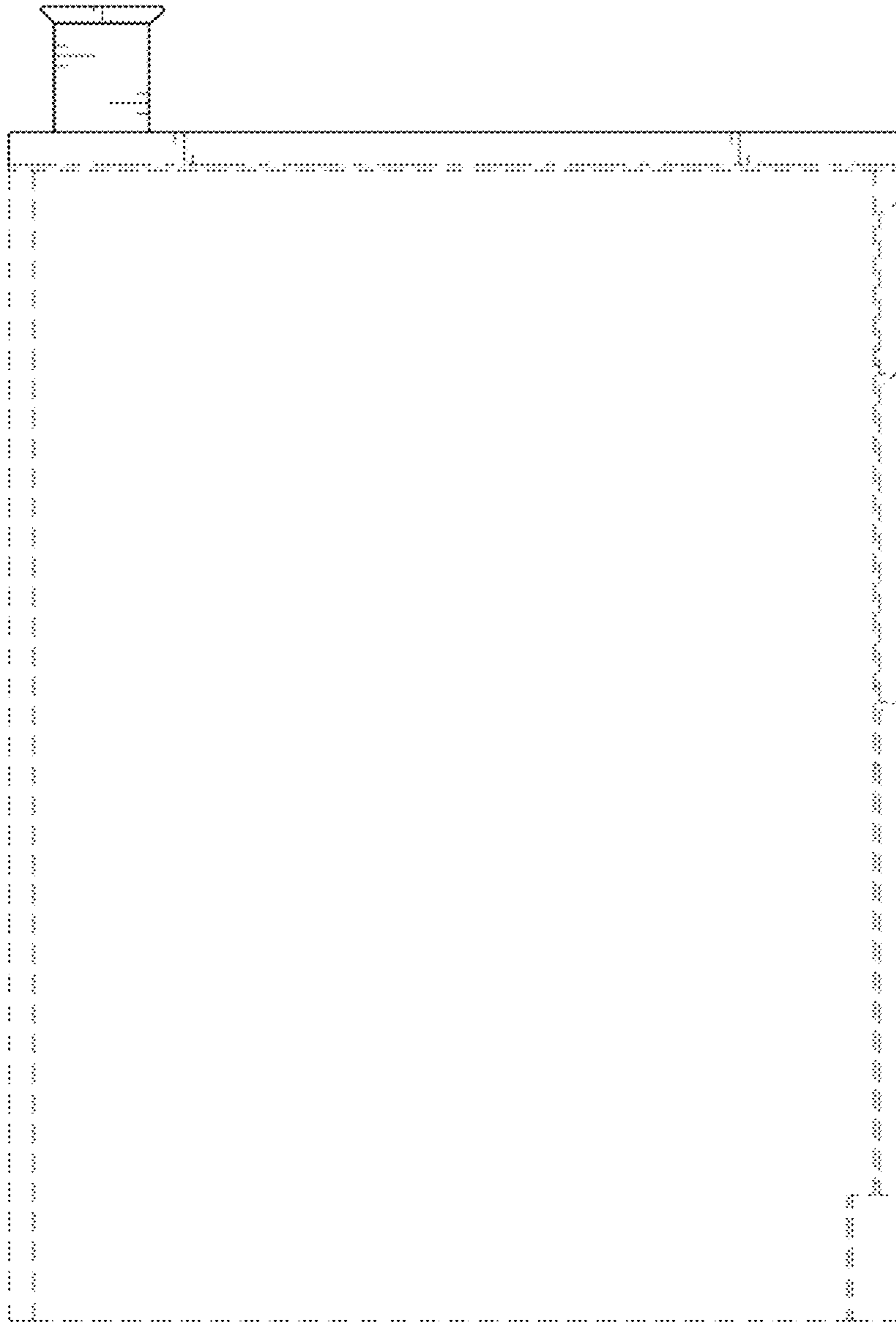
1.9



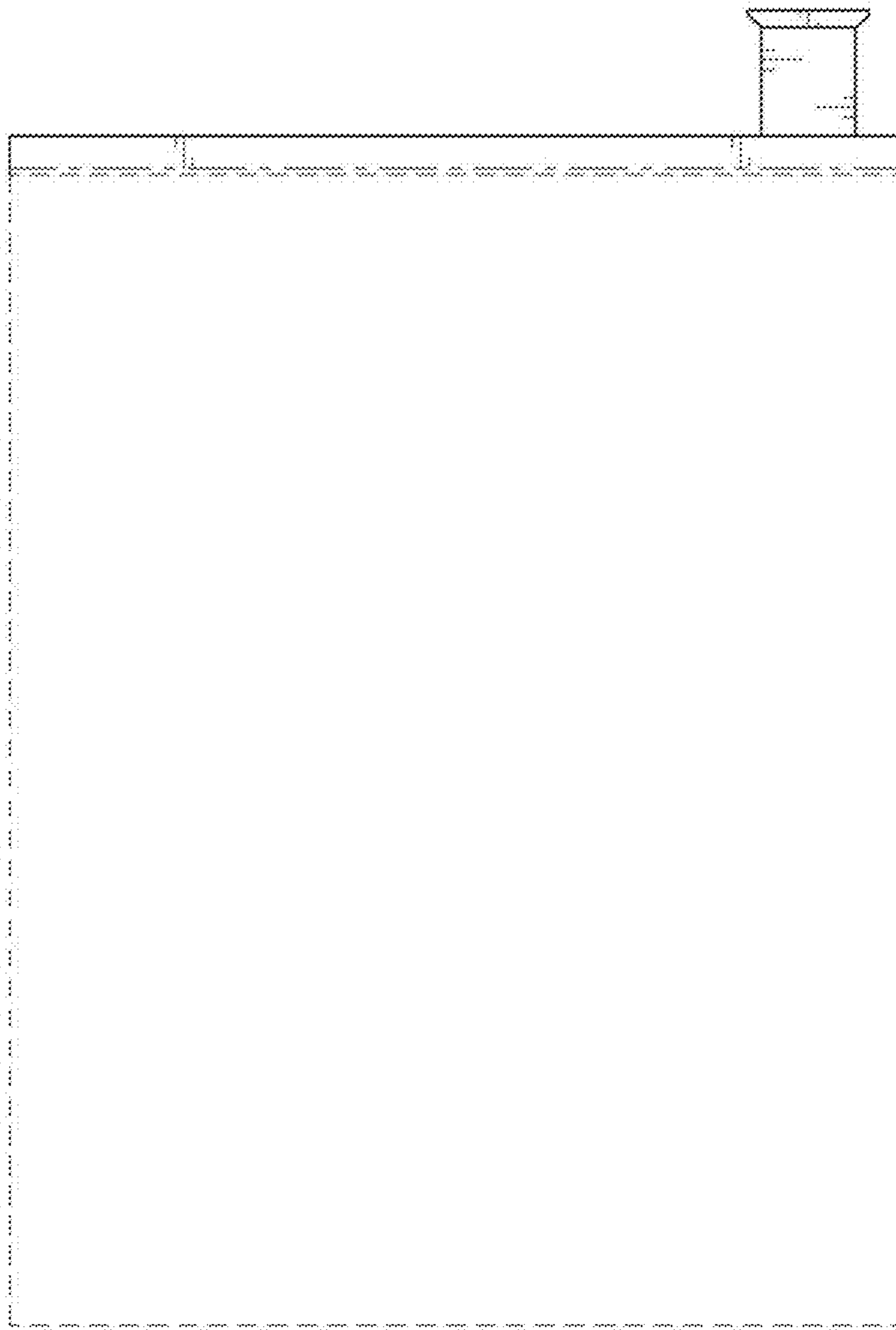
1.10



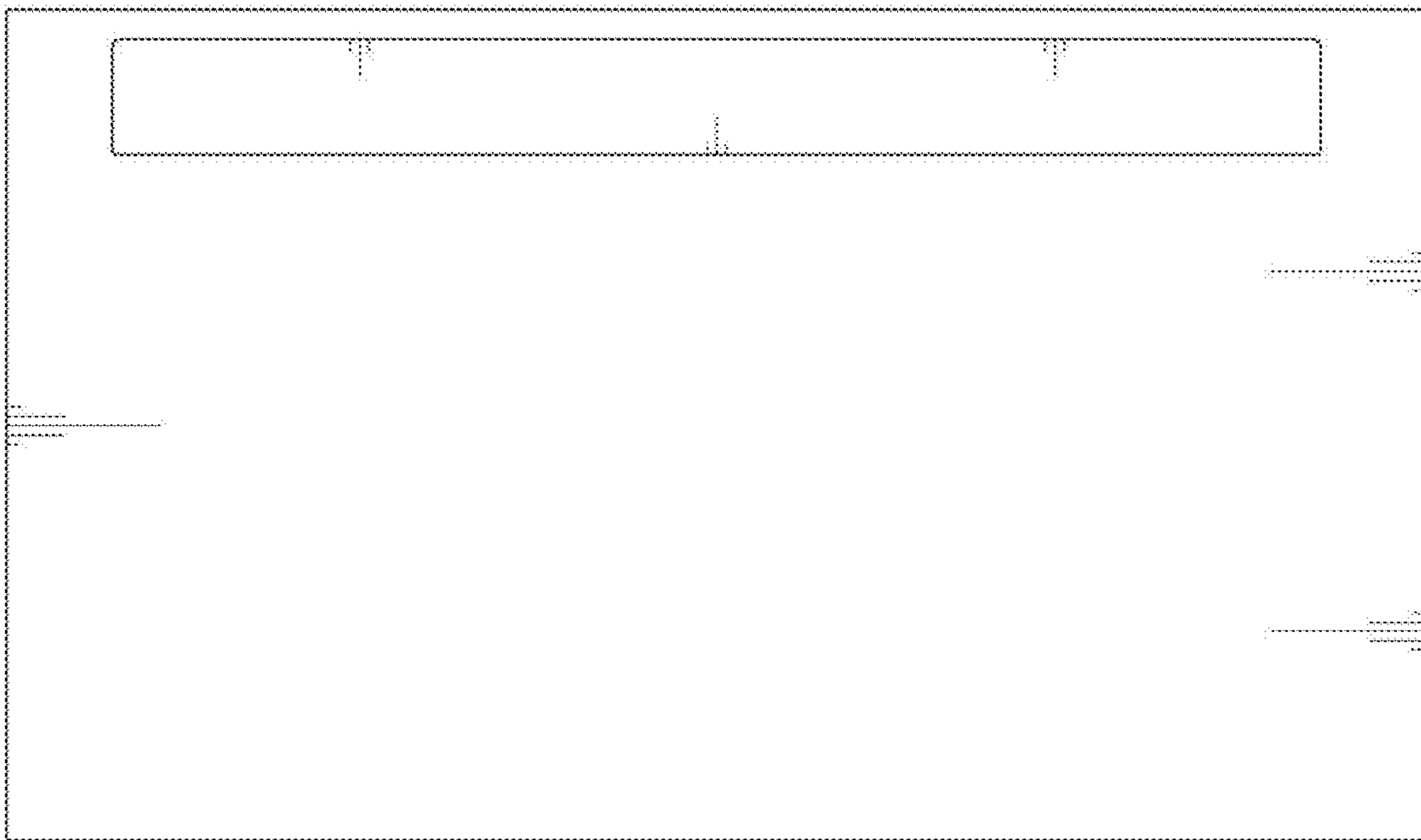
1.11



1.12



1.13



1.14

