



US00D856497S

(12) **United States Design Patent** (10) **Patent No.:** **US D856,497 S**  
**Pilarczyk et al.** (45) **Date of Patent:** **\*\* Aug. 13, 2019**

(54) **TEST PLUG**

(71) Applicant: **WCM Industries, Inc.**, Colorado Springs, CO (US)  
(72) Inventors: **Eric Pilarczyk**, Colorado Springs, CO (US); **Kevin Thomas Hogan**, Leawood, KS (US)  
(73) Assignee: **WCM INDUSTRIES, INC.**, Colorado Springs, CO (US)  
(\*\*) Term: **15 Years**

(21) Appl. No.: **29/630,143**  
(22) Filed: **Dec. 19, 2017**  
(51) **LOC (12) Cl.** ..... **23-01**  
(52) **U.S. Cl.**  
USPC ..... **D23/260**  
(58) **Field of Classification Search**  
USPC ..... D10/83; D23/260  
CPC . E03C 1/24; F16L 55/10; F16L 55/124; F16L 55/132; F16L 55/134; F17D 3/10; F17D 5/02; F16K 7/10  
See application file for complete search history.

(56) **References Cited**

**U.S. PATENT DOCUMENTS**

1,993,307 A \* 3/1935 Nicholson ..... F16L 55/132 138/89  
D341,142 S \* 11/1993 Rogers ..... D15/5  
D360,600 S \* 7/1995 Rossi ..... D10/83  
6,883,546 B1 \* 4/2005 Kobylinski ..... F16L 55/1141 138/89

**OTHER PUBLICATIONS**

Watco, Bath Wastes and Trim Kits, Price Guide and Product Catalog, Effective May 15, 2017 rev 8-1, 80 pages, specifically p. 61: section labeled—Test Caps & Test Plugs.

\* cited by examiner

*Primary Examiner* — Antoine Duval Davis

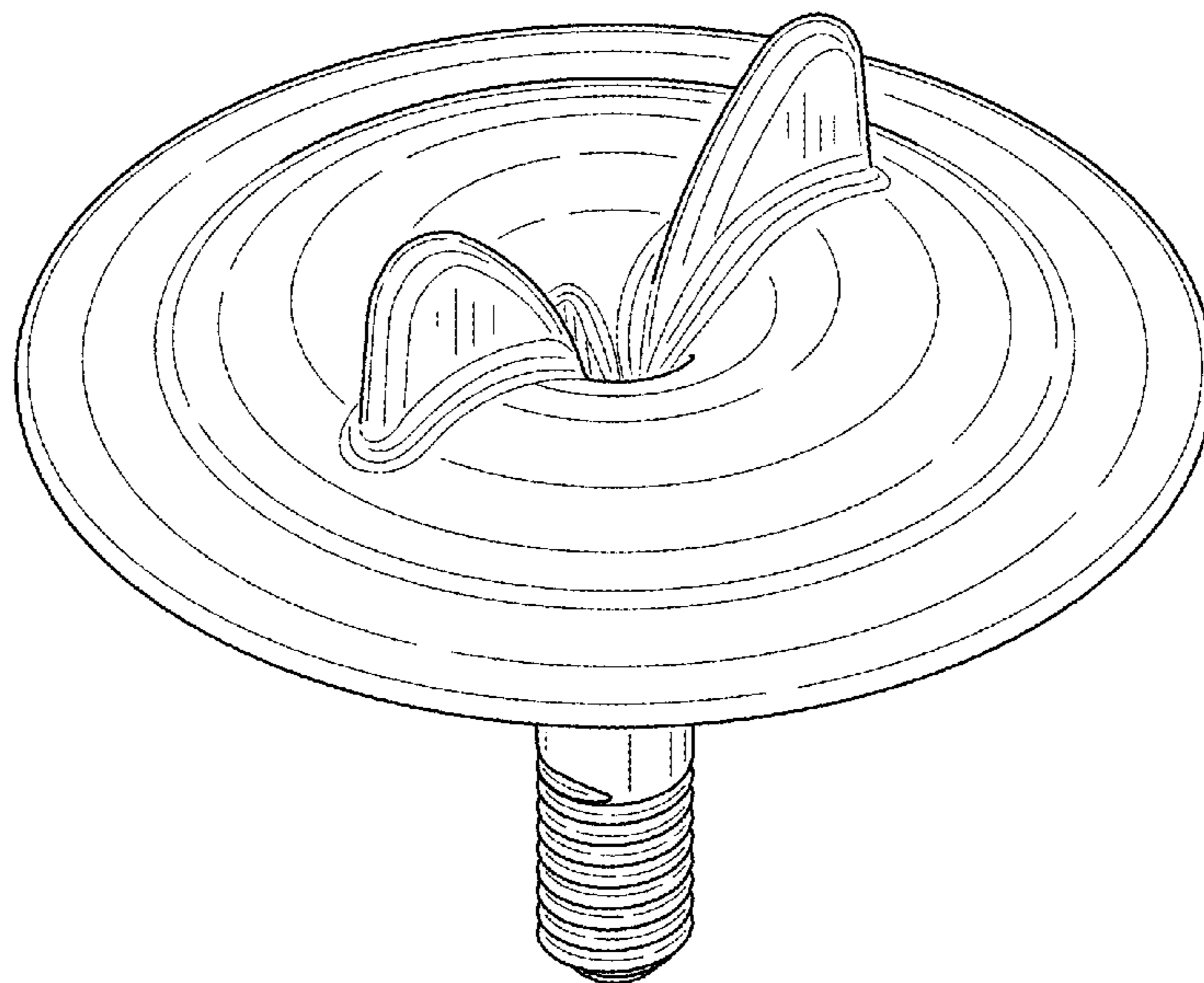
(57) **CLAIM**

The ornamental design for a test plug, as shown and described.

**DESCRIPTION**

FIG. 1 is a top perspective view of an exemplary test plug. FIG. 2 is a bottom perspective view of the test plug of FIG. 1.  
FIG. 3 is a side elevation view of the test plug of FIG. 1. FIG. 4 is another side elevation view of the test plug of FIG. 1.  
FIG. 5 is a top plan view of the test plug of FIG. 1. FIG. 6 is a bottom plan view of the test plug of FIG. 1.  
FIG. 7 is a top perspective view of another example of a test plug. FIG. 8 is a bottom perspective view of the test plug of FIG. 7.  
FIG. 9 is a side elevation view of the test plug of FIG. 7. FIG. 10 is another side elevation view of the test plug of FIG. 7.  
FIG. 11 is a top plan view of the test plug of FIG. 7; and, FIG. 12 is a bottom plan view of the test plug of FIG. 7.  
The broken lines depict the boundaries of the test plug and form no part of the claimed design.

**1 Claim, 12 Drawing Sheets**



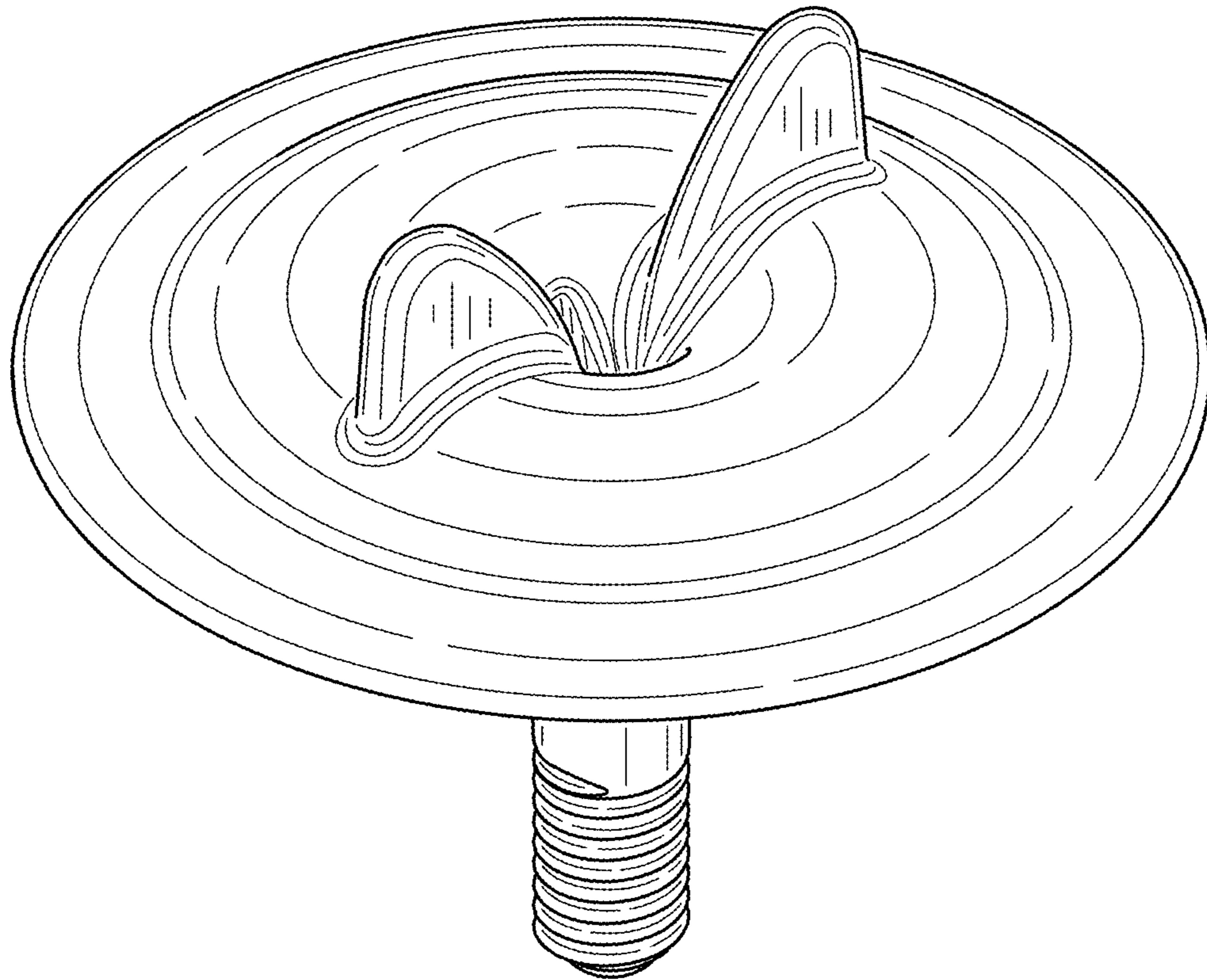


FIG.1

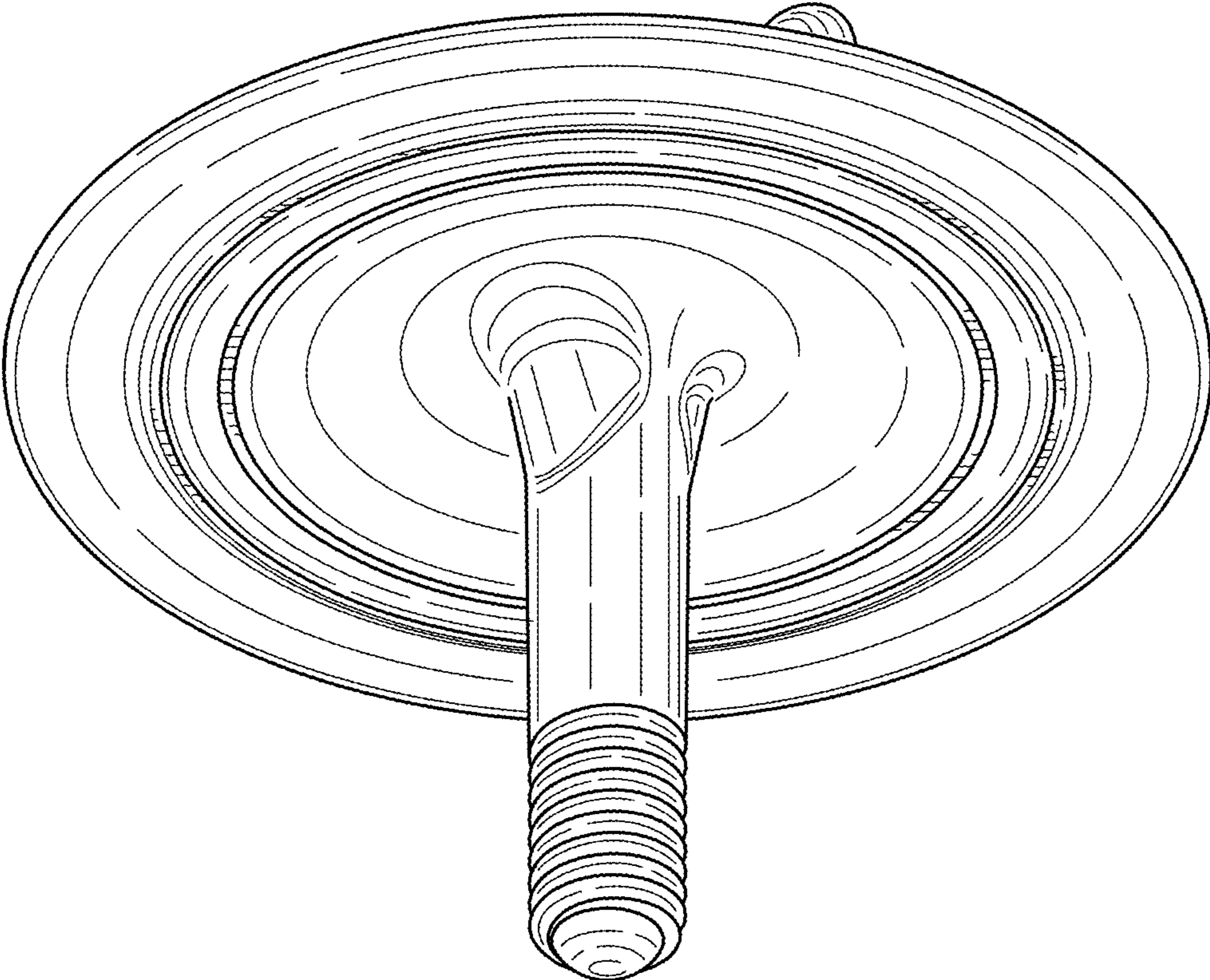


FIG.2

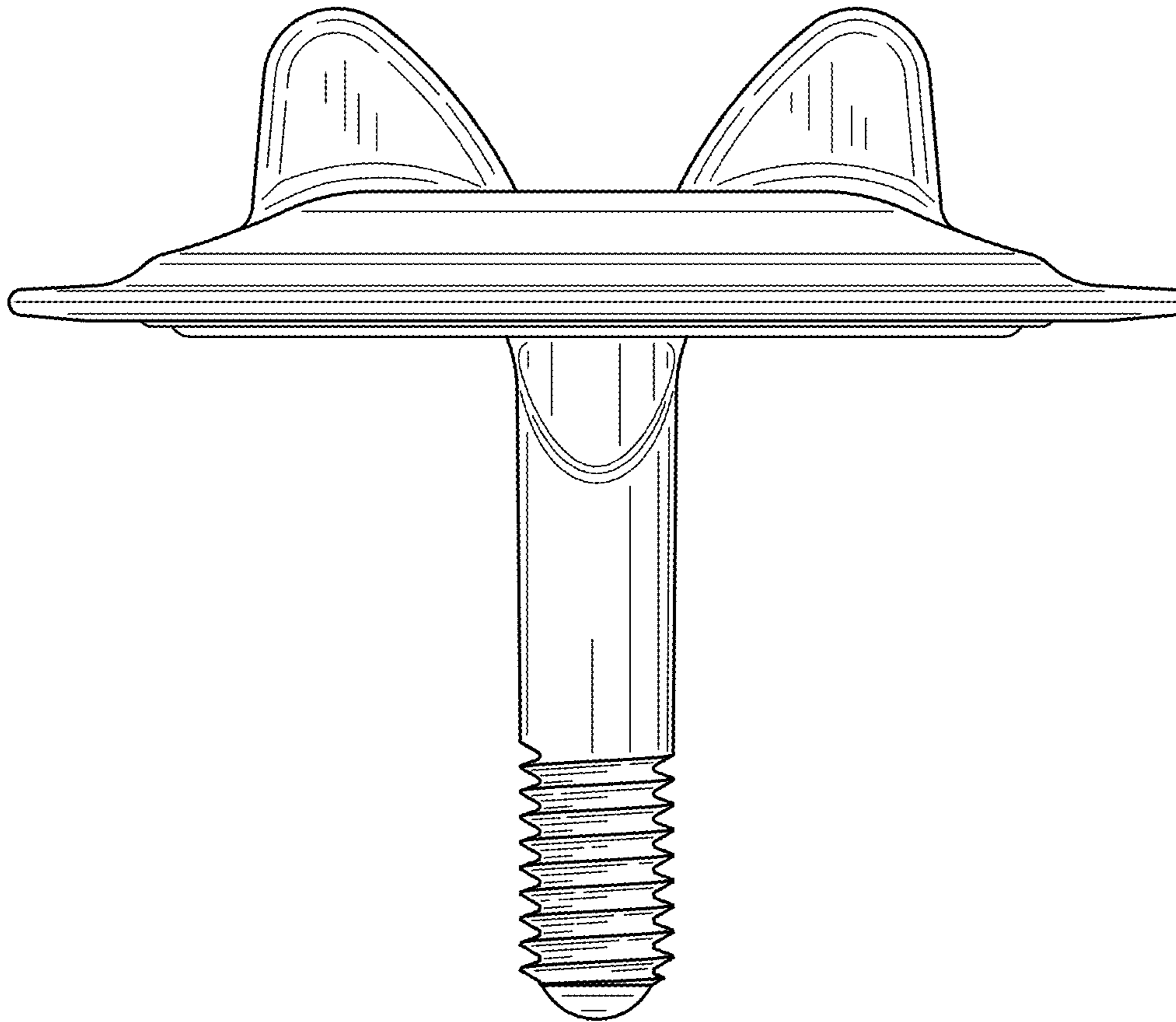


FIG.3

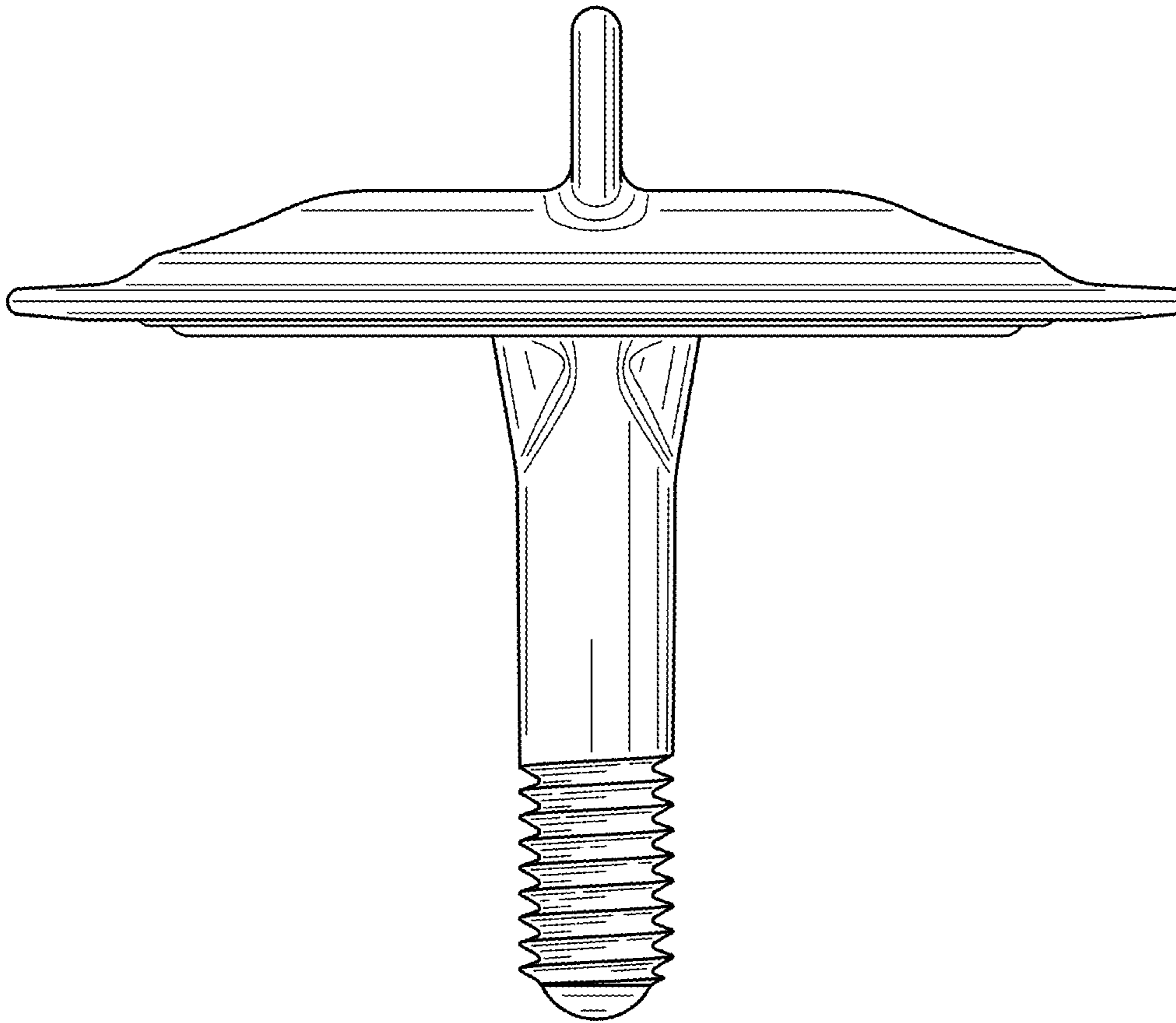


FIG.4

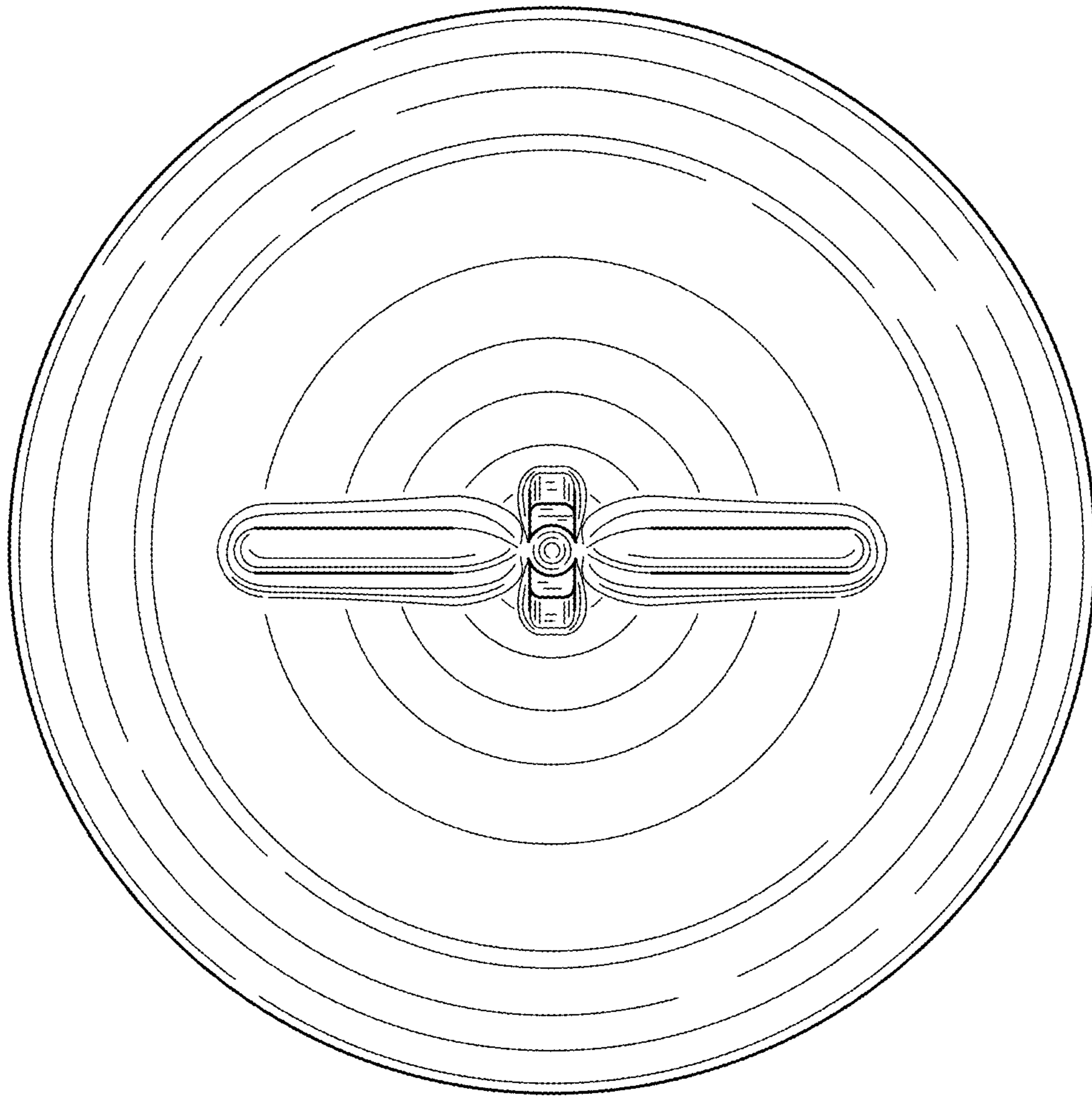


FIG.5

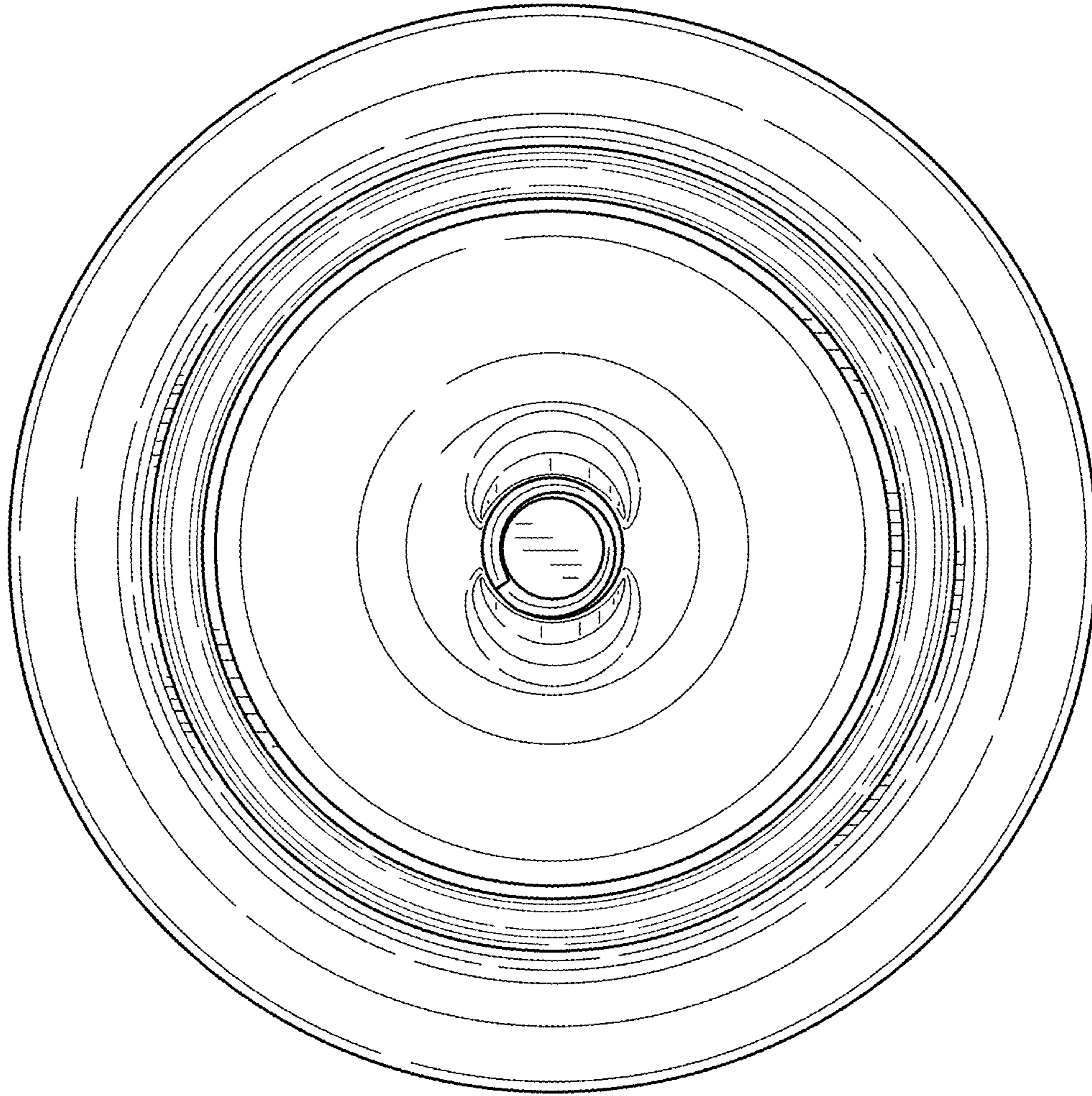


FIG. 6

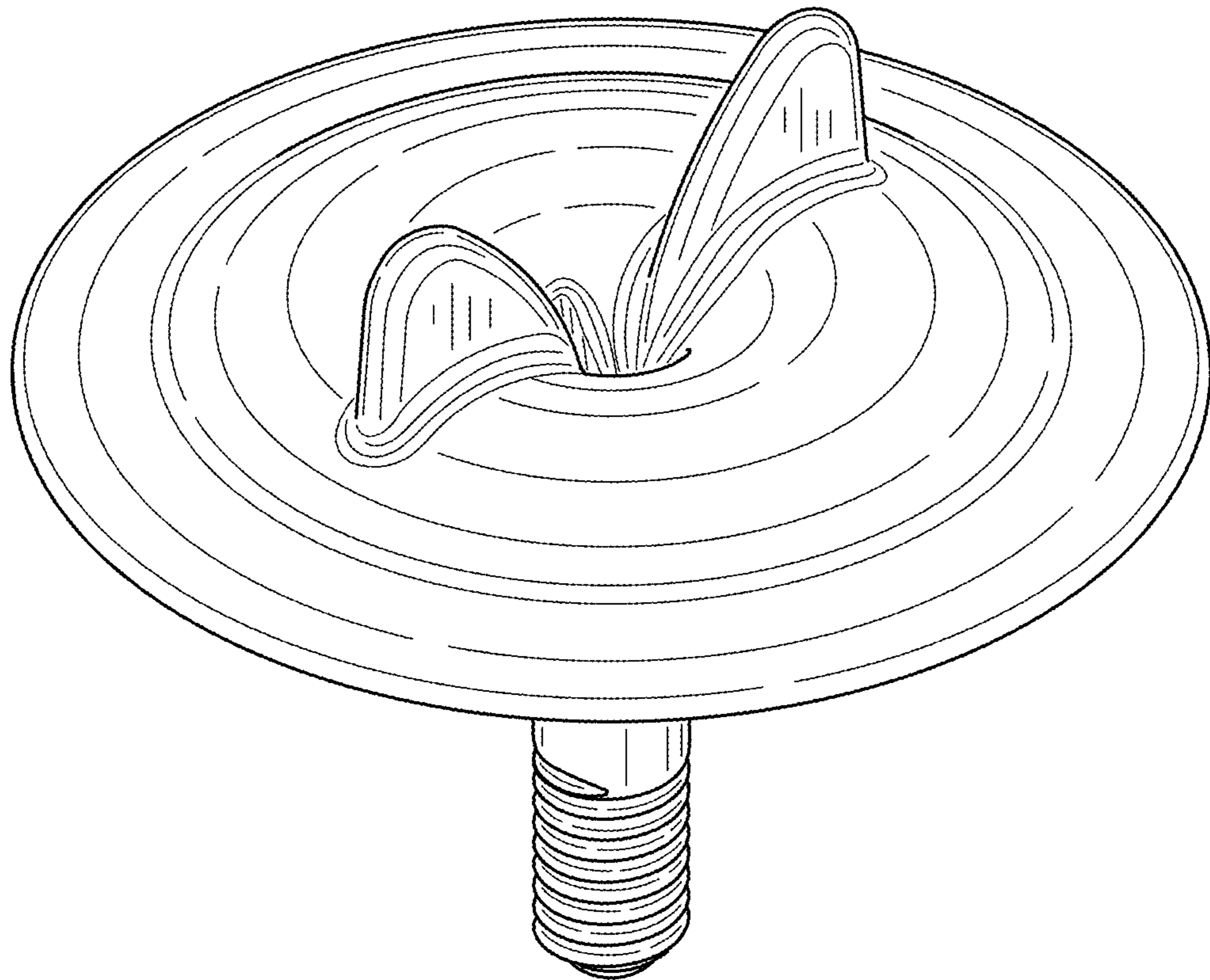


FIG.7



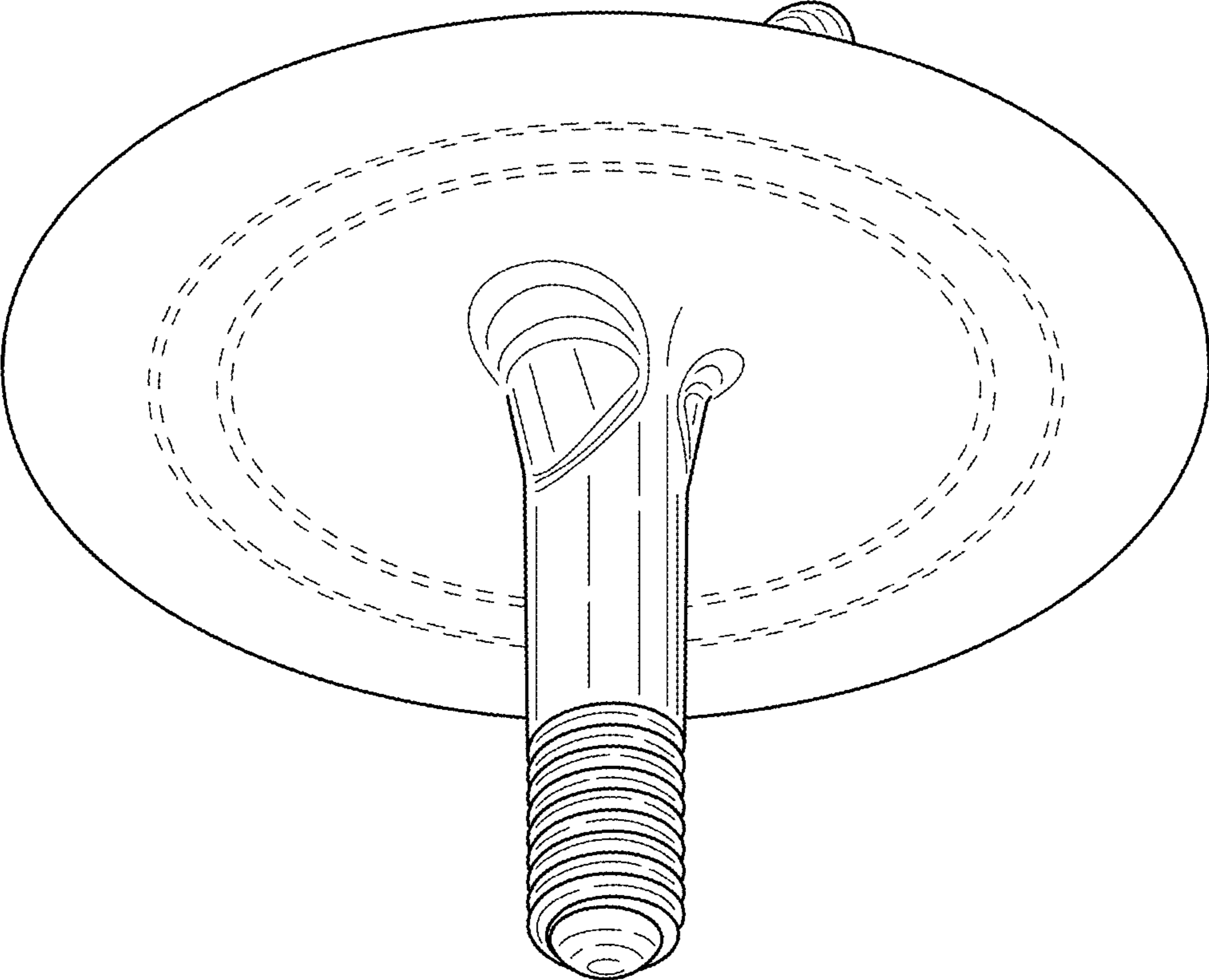


FIG.8

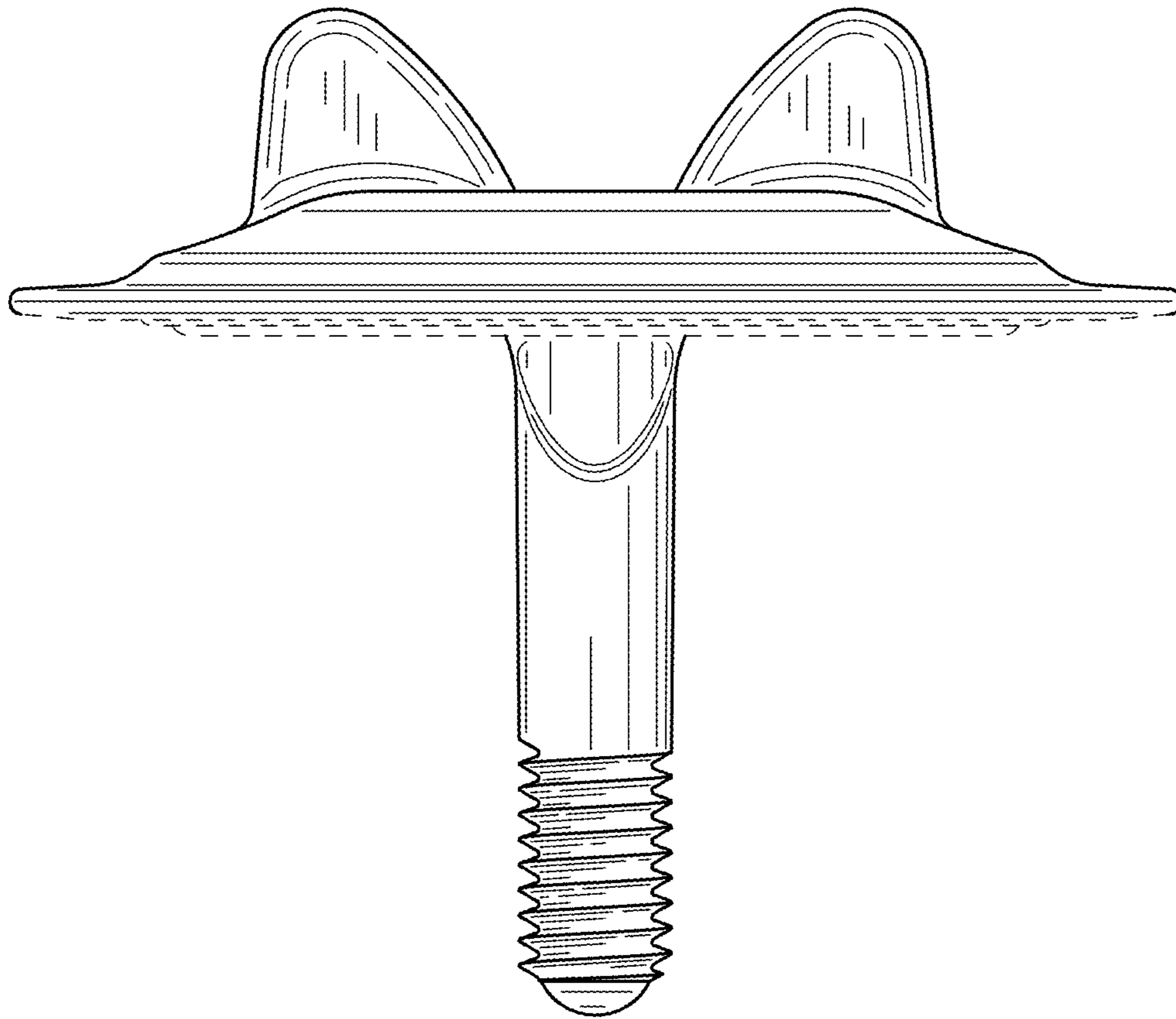


FIG.9

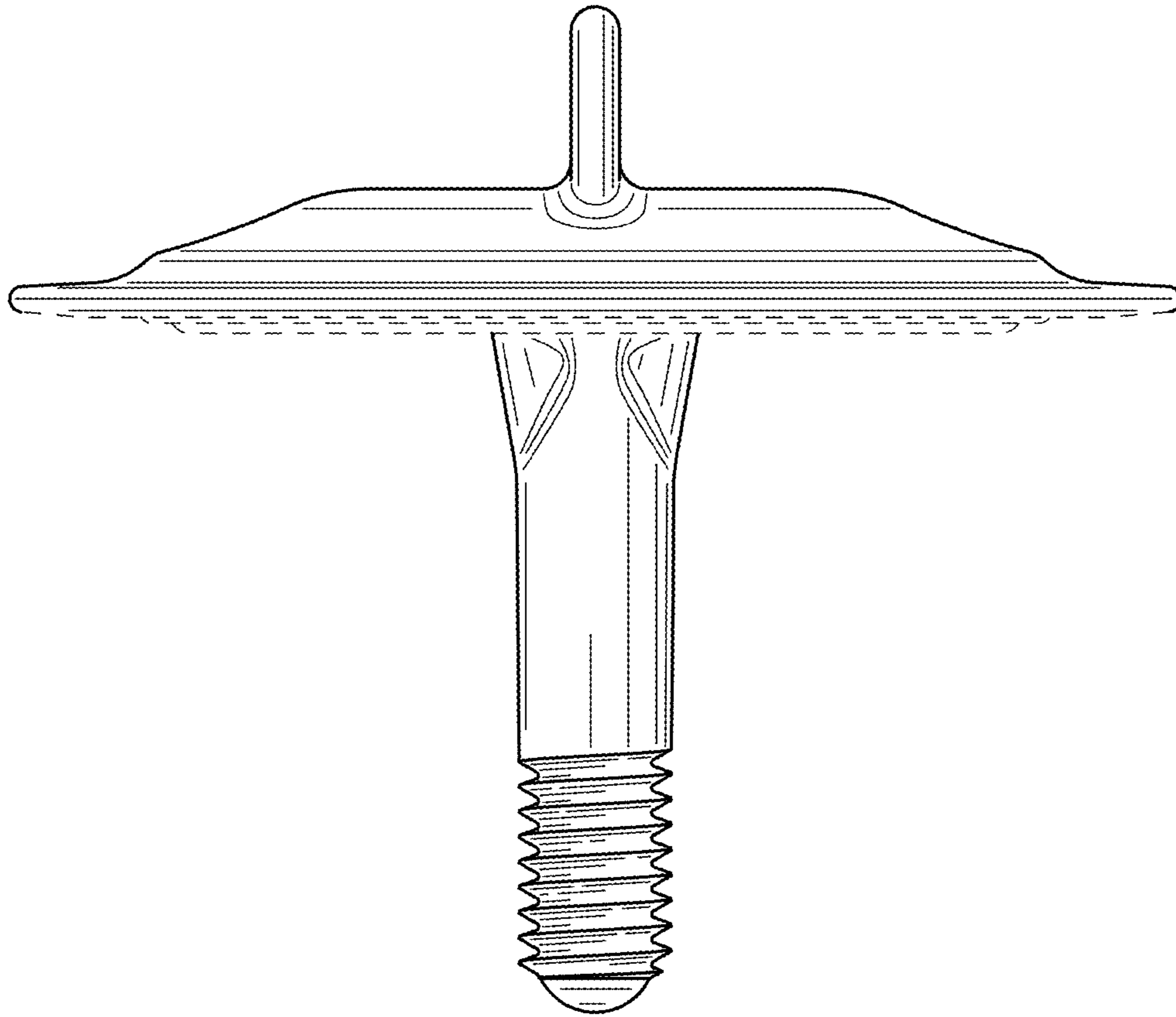


FIG.10

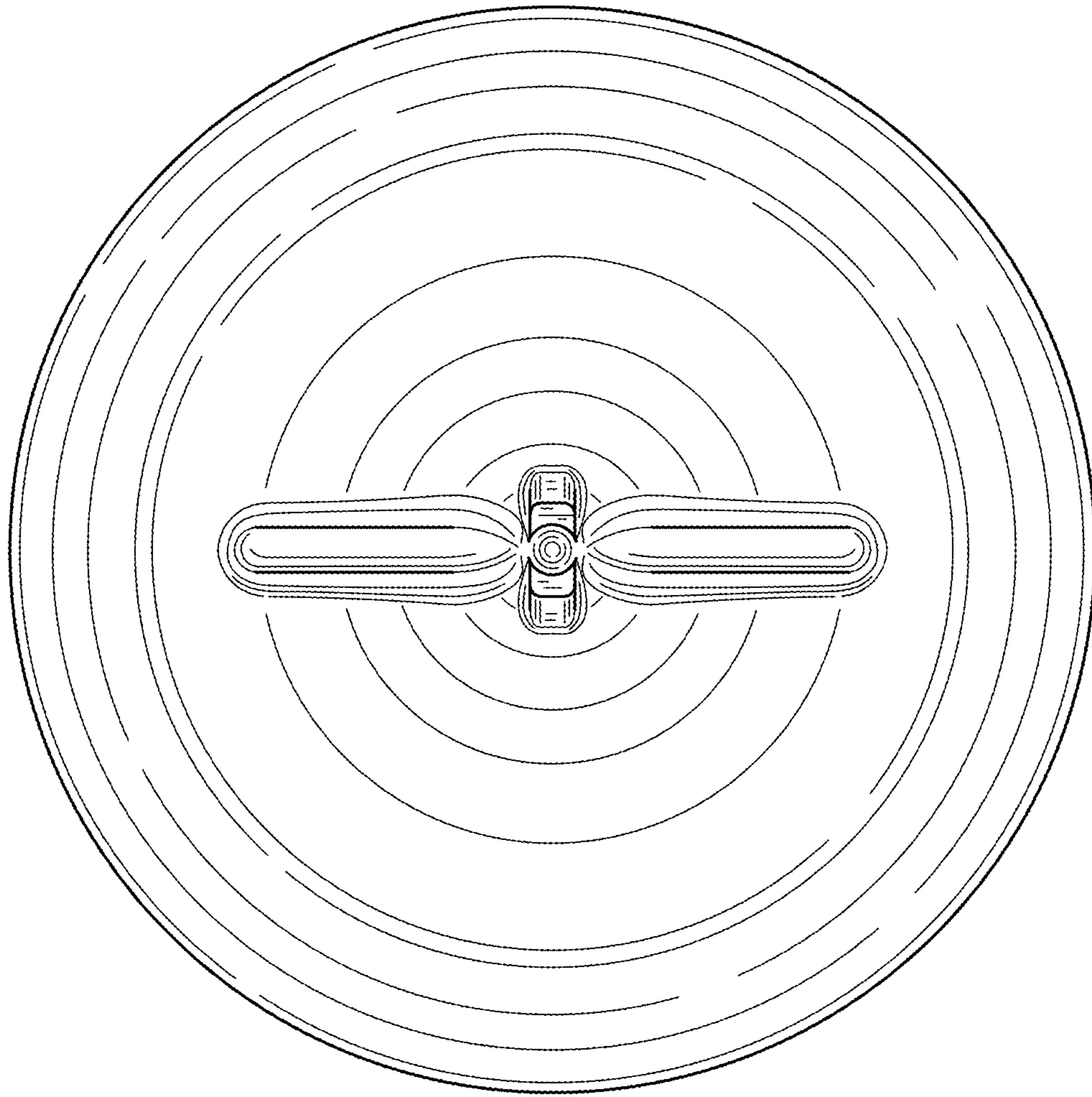


FIG.11

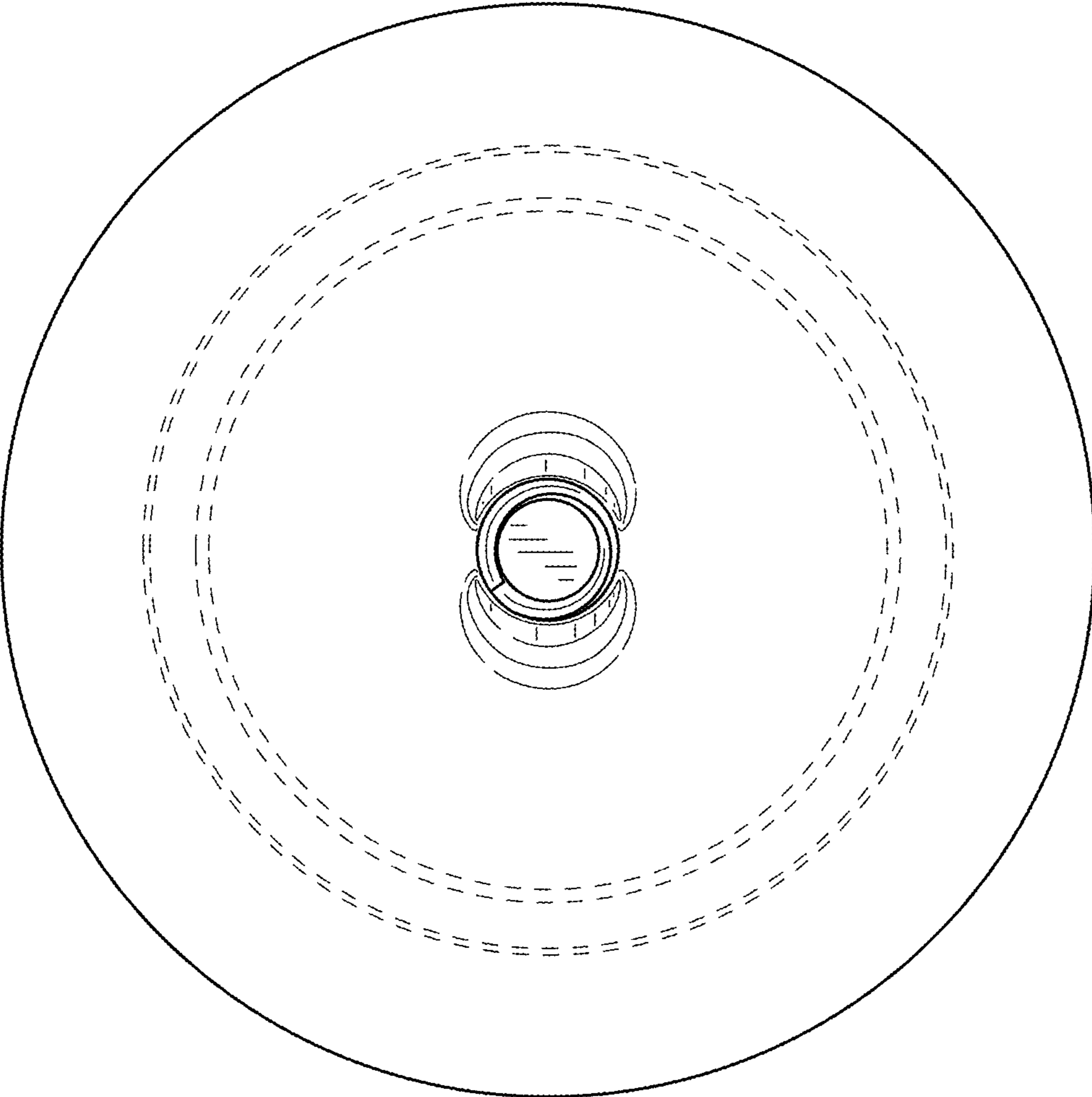


FIG.12