



US00D856496S

(12) **United States Design Patent**
Dagdelen

(10) **Patent No.:** **US D856,496 S**
(45) **Date of Patent:** **** Aug. 13, 2019**

- (54) **COUPLING FOR PIPES**
- (71) Applicant: **POELSAN PLASTIK SANAYI VE TICARET ANONIM SIRKETI, Samsun (TR)**
- (72) Inventor: **Yasar Dagdelen, Samsun (TR)**
- (73) Assignee: **POELSAN PLASTIK SANAYI VE TICARET ANONIM SIRKETI, Samsun (TR)**
- (**) Term: **15 Years**
- (21) Appl. No.: **29/617,802**
- (22) Filed: **Sep. 15, 2017**

- D523,123 S * 6/2006 Wilk, Jr. D23/262
- 7,063,356 B2 * 6/2006 Barker F16L 37/62
285/105
- D676,941 S * 2/2013 Kluss D23/262
- 8,608,205 B2 * 12/2013 Lai B25B 27/10
285/307
- 8,801,048 B2 * 8/2014 Morris F16L 37/091
285/340
- D729,909 S * 5/2015 Castrigno D23/263
- D731,627 S * 6/2015 Guest D23/262
- D739,508 S * 9/2015 Menno D23/263
- D741,457 S * 10/2015 Guest D23/262
- D741,458 S * 10/2015 Guest D23/262
- D741,459 S * 10/2015 Guest D23/262

(Continued)

Primary Examiner — Michael A. Pratt
(74) *Attorney, Agent, or Firm* — Crose Law LLC;
Bradley D. Crose

Related U.S. Application Data

- (62) Division of application No. 35/501,033, filed on Jan. 25, 2016 (U.S. filing date under 35 U.S.C. 384), and having an international filing date of Jan. 25, 2016, now Pat. No. Des. 816,811.
- (51) **LOC (12) Cl.** **23-01**
- (52) **U.S. Cl.**
USPC **D23/259**
- (58) **Field of Classification Search**
USPC D23/259, 262–263, 266
CPC F16L 9/02; F16L 9/14
See application file for complete search history.

(57) **CLAIM**

The ornamental design for a coupling for pipes, as shown and described.

DESCRIPTION

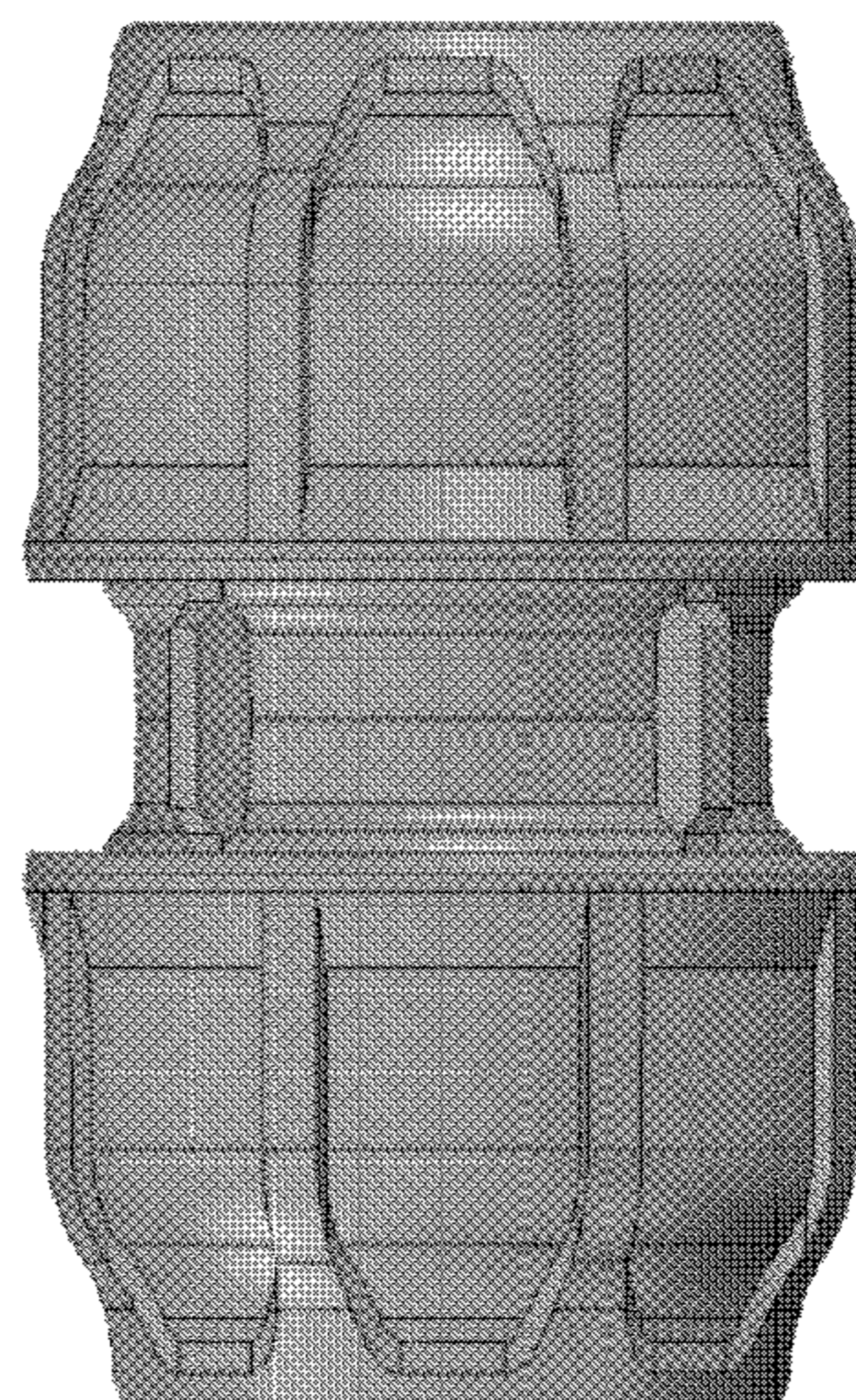
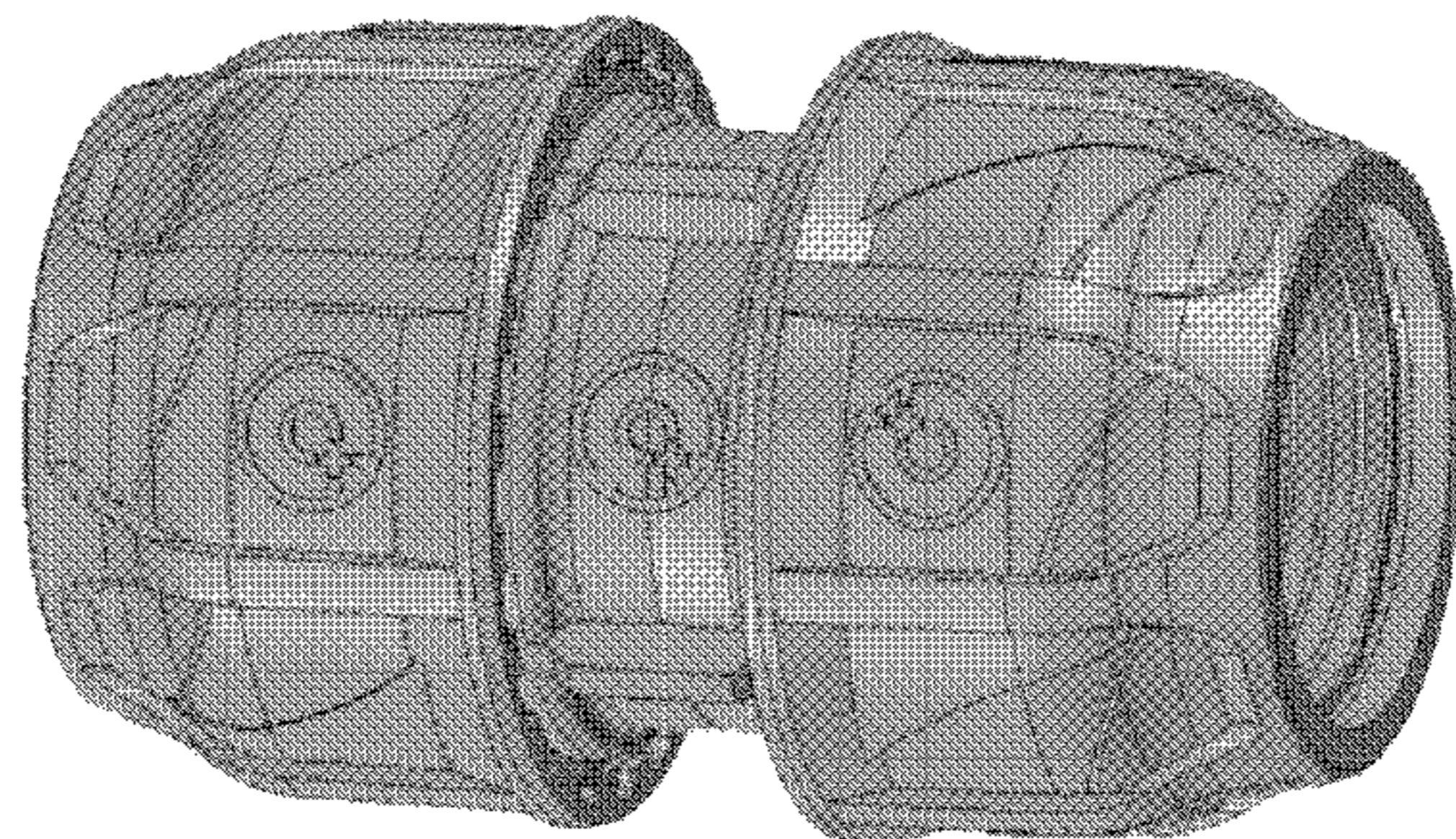
FIG. 1 is a top view of a coupling for pipes, hollow cylindrical structure, showing my new design;
 FIG. 2 is a perspective view thereof;
 FIG. 3 is an front view thereof;
 FIG. 4 is a front view of a coupling for pipes, reducing coupling, showing my new design;
 FIG. 5 is a top view thereof;
 FIG. 6 is a perspective view thereof;
 FIG. 7 is a perspective view of a coupling for pipes, hollow cylindrical structure with both ends identical, showing my new design;
 FIG. 8 is a front view thereof;
 FIG. 9 is a front view of a coupling for pipes, hollow cylindrical structure with both ends identical, showing my new design; and,
 FIG. 10 is a perspective view thereof.

(56) **References Cited**

U.S. PATENT DOCUMENTS

- 6,062,611 A * 5/2000 Percebois F16L 37/092
285/232
- 6,237,964 B1 * 5/2001 Østergaard E21B 33/035
285/310
- 6,390,446 B1 * 5/2002 Wang B01D 35/02
210/429
- D517,666 S * 3/2006 Wilk, Jr. D23/262

1 Claim, 10 Drawing Sheets



(56)

References Cited

U.S. PATENT DOCUMENTS

D743,511 S * 11/2015 Bednarz D23/263
9,182,061 B2 * 11/2015 Hamaguchi F16L 25/0045
D745,116 S * 12/2015 Lehmann D23/262
D746,418 S * 12/2015 Castrigno D23/262
D746,950 S * 1/2016 Castrigno D23/259
D746,951 S * 1/2016 Gledhill D23/259
D746,952 S * 1/2016 Gledhill D23/259
D746,954 S * 1/2016 Gledhill D23/259
D746,958 S * 1/2016 Gledhill D23/262
D748,762 S * 2/2016 Naslund D23/262
9,310,000 B2 * 4/2016 Liang F16L 11/20
9,316,336 B2 * 4/2016 Genoni F16L 47/03
D771,779 S * 11/2016 Scifres D23/263
D771,780 S * 11/2016 Scifres D23/266
D779,315 S * 2/2017 Hinkle D23/262
9,568,127 B2 * 2/2017 Morris F16L 37/091

* cited by examiner



FIG. 1

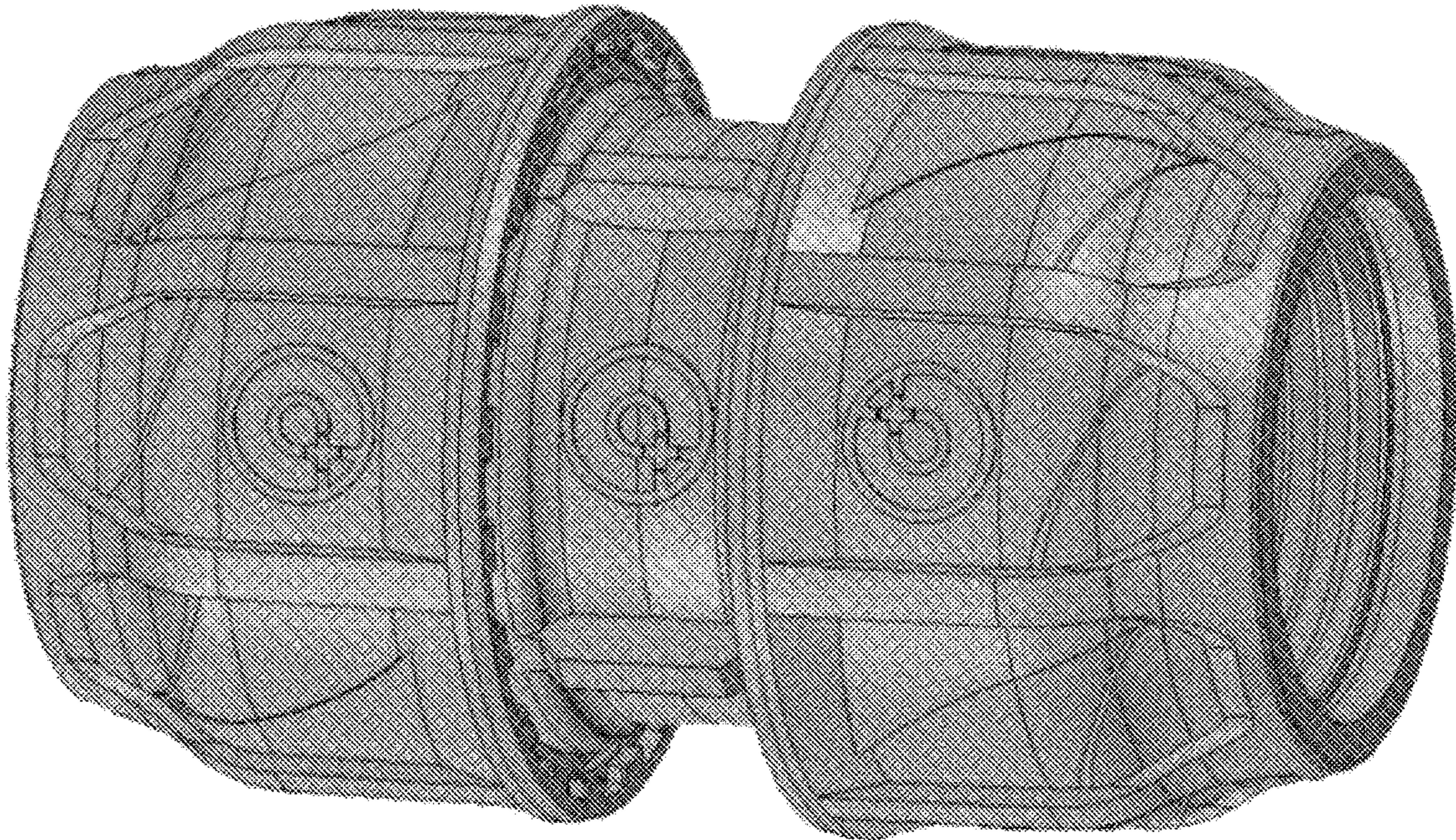


FIG. 2

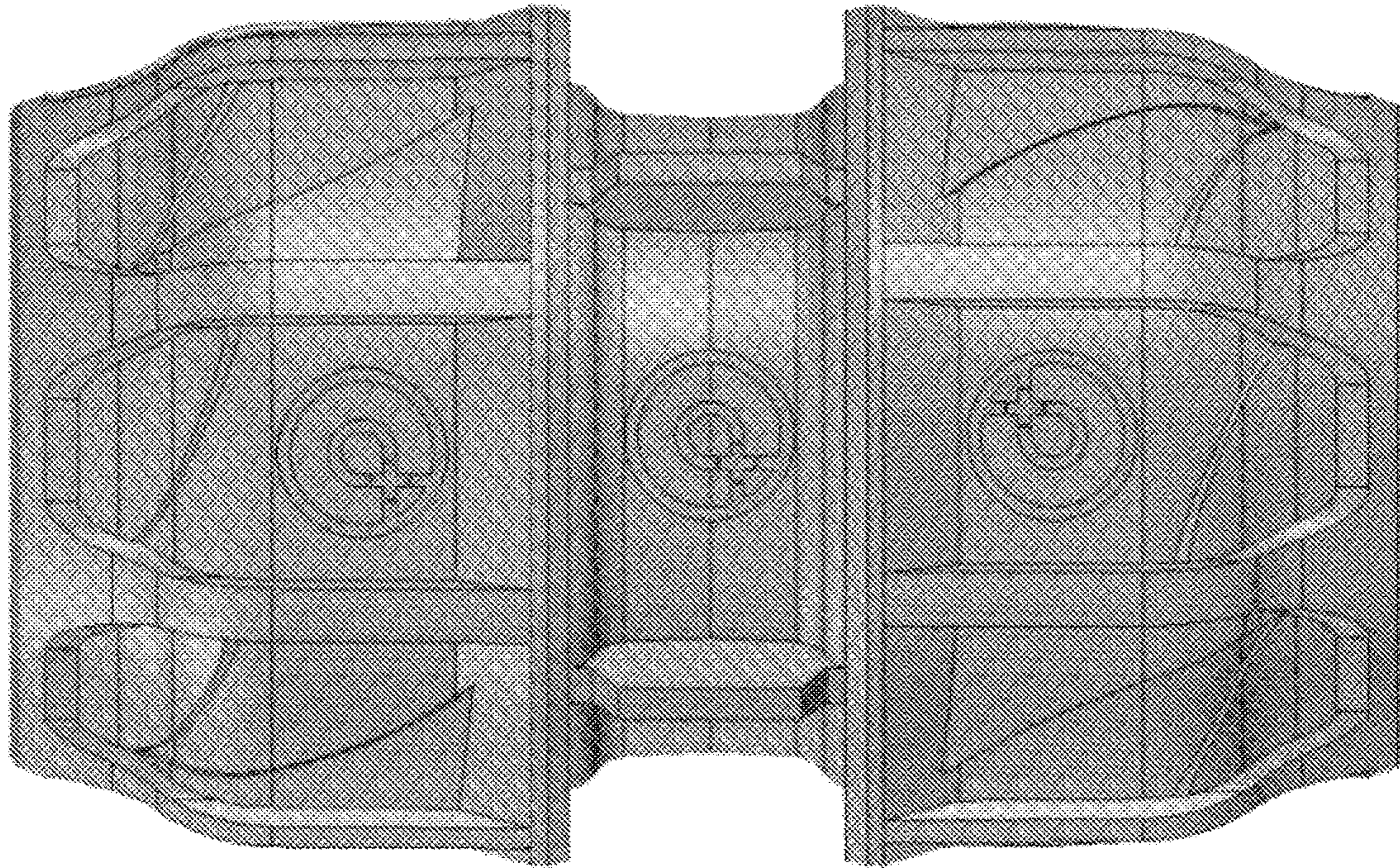


FIG. 3

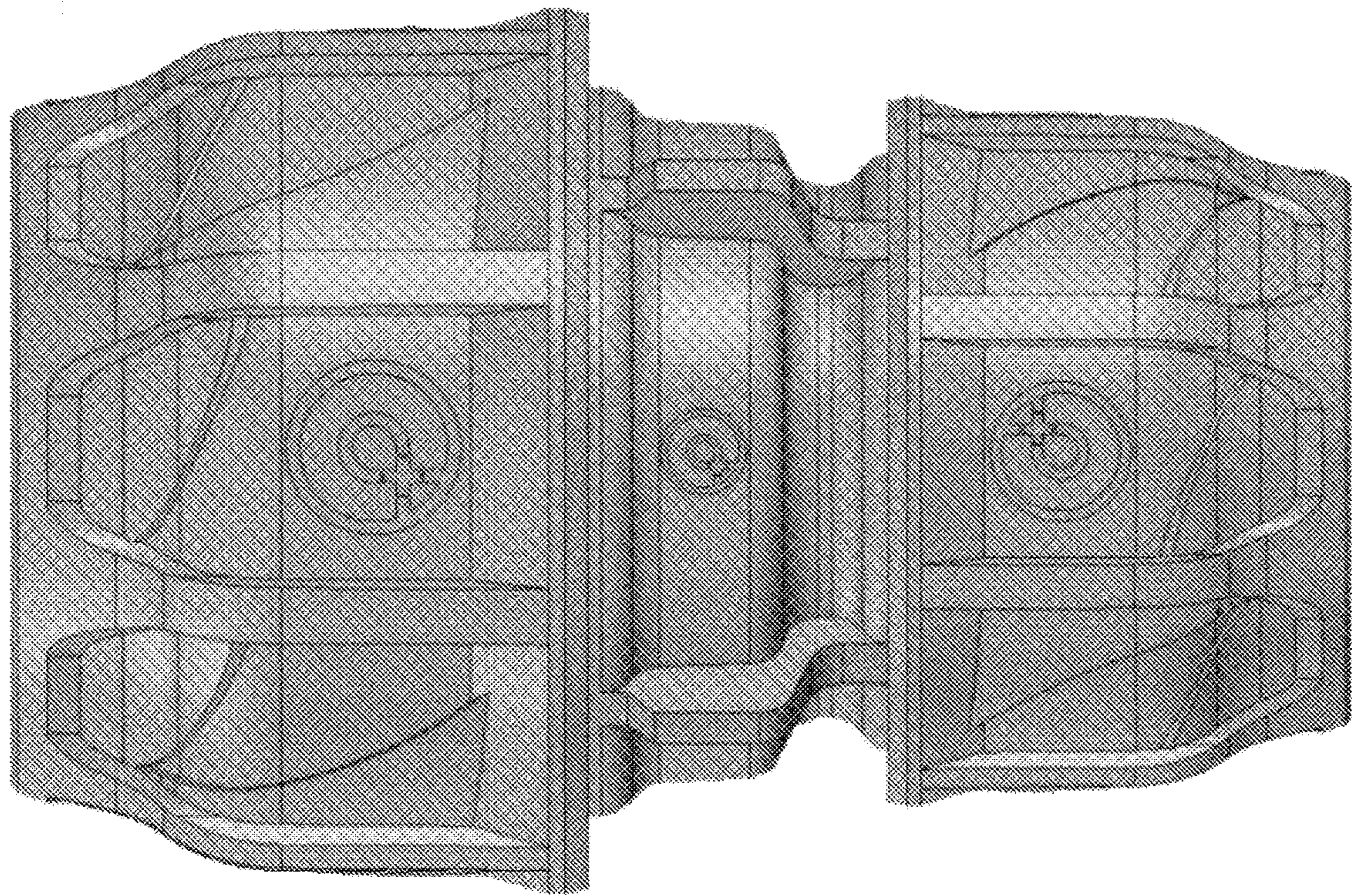


FIG. 4



FIG. 5

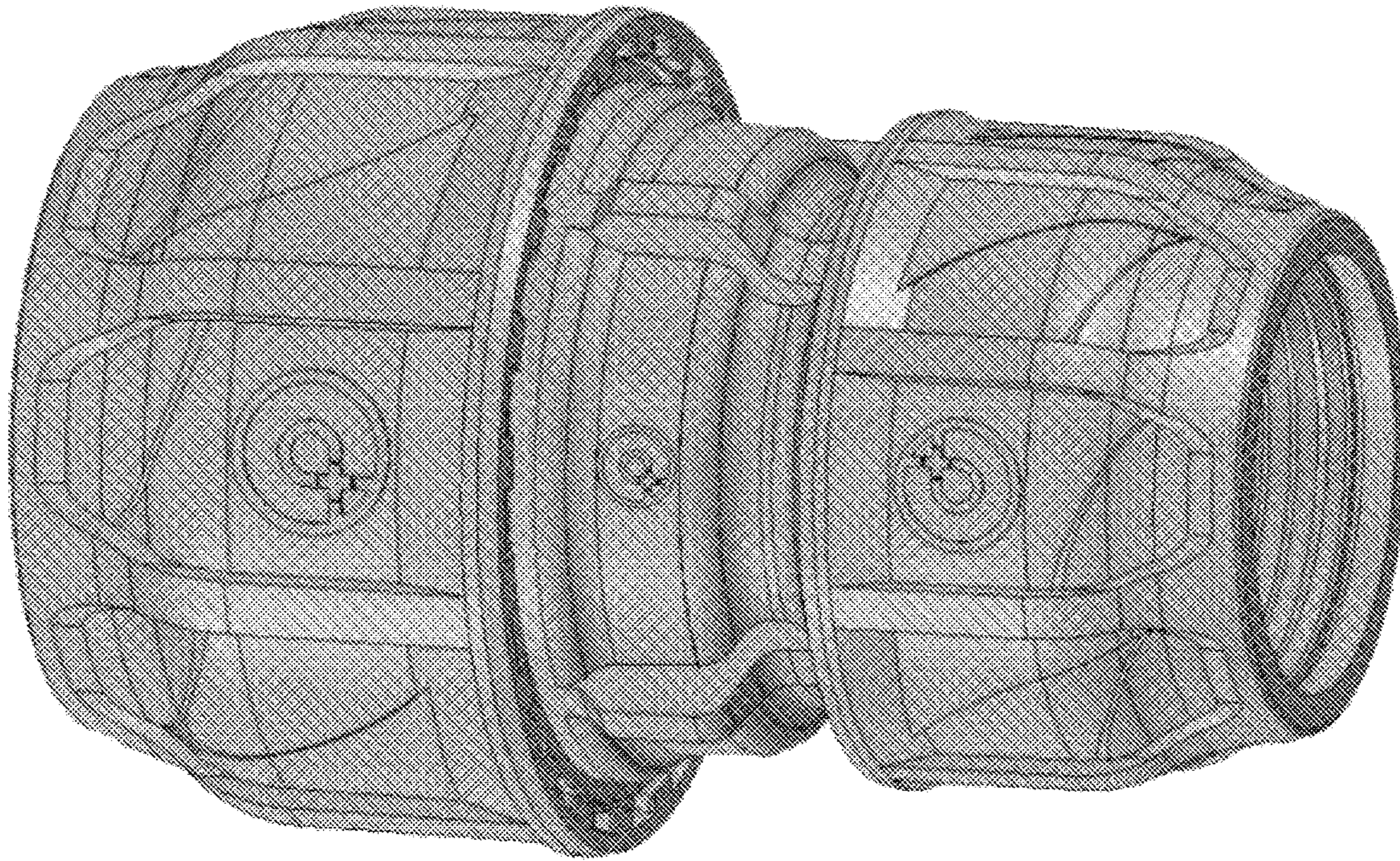


FIG. 6

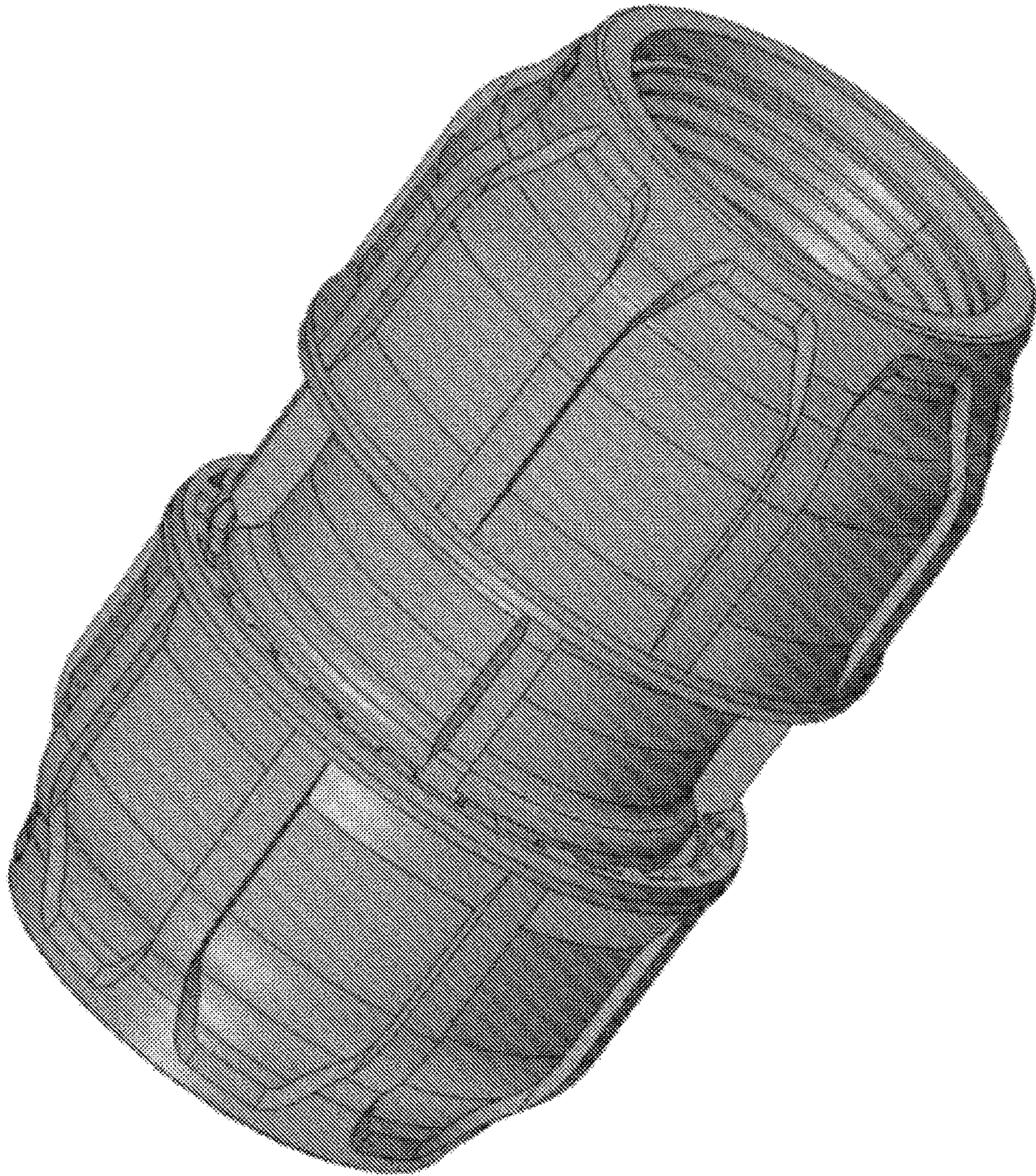


FIG. 7

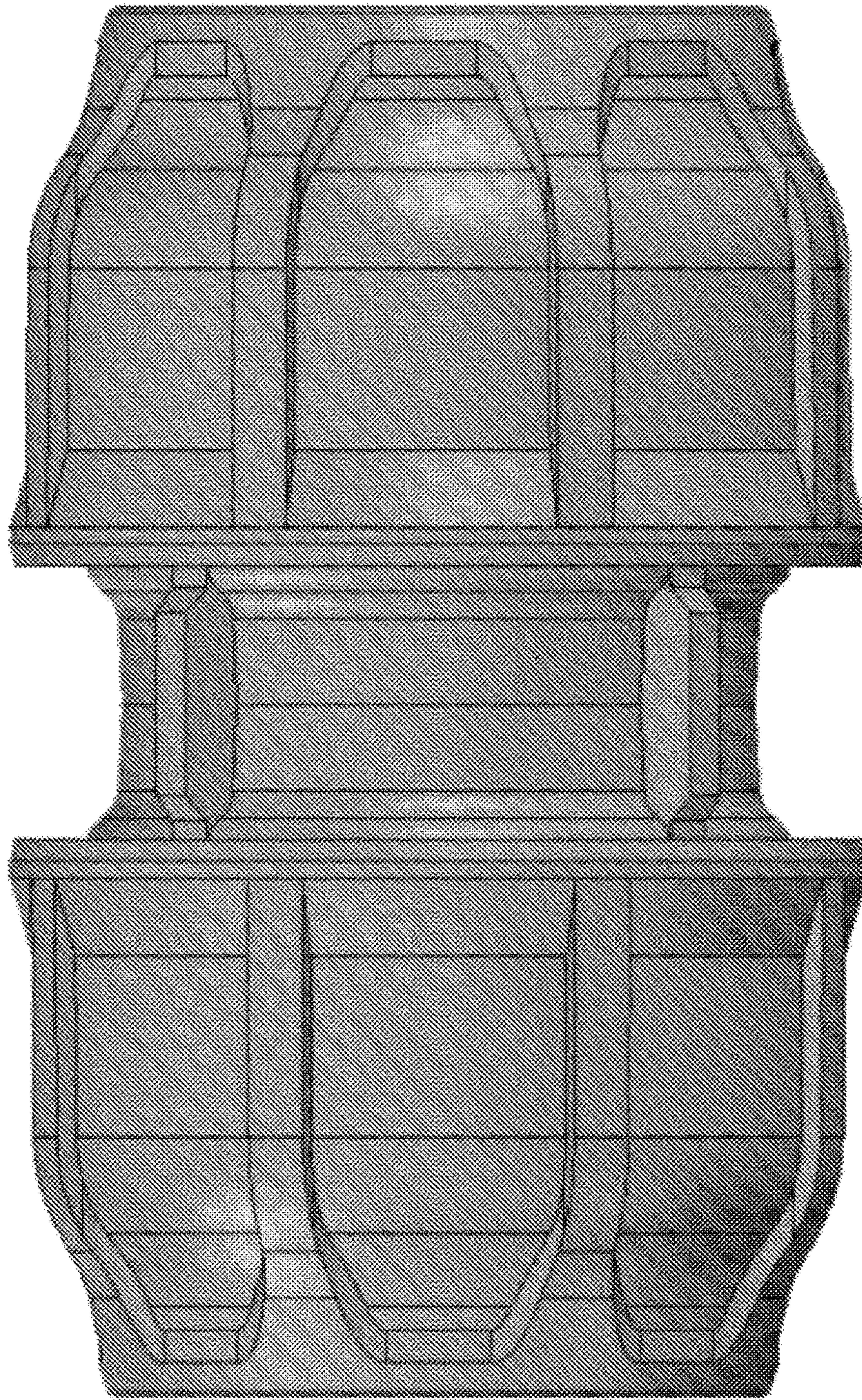


FIG. 8

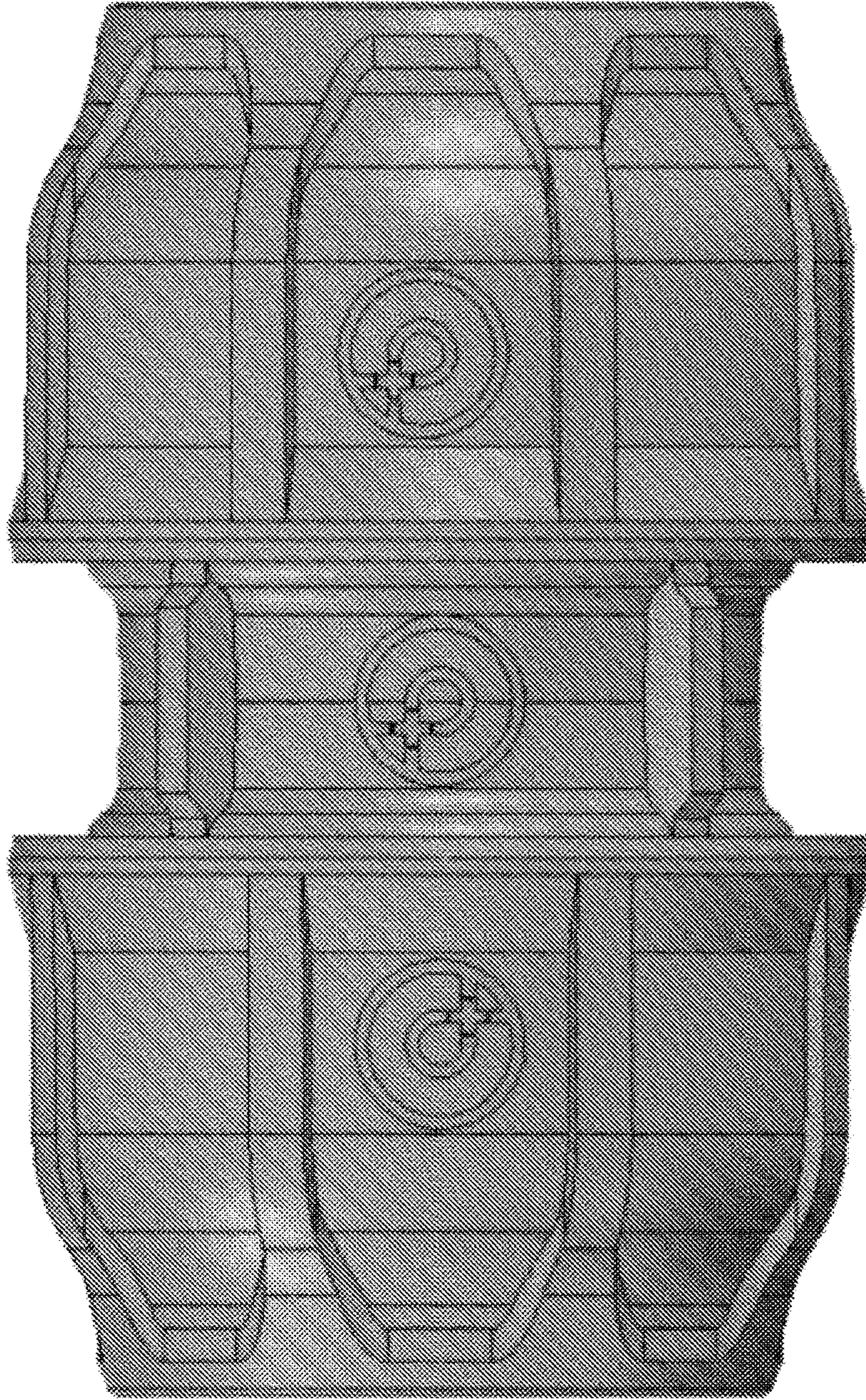


FIG. 9

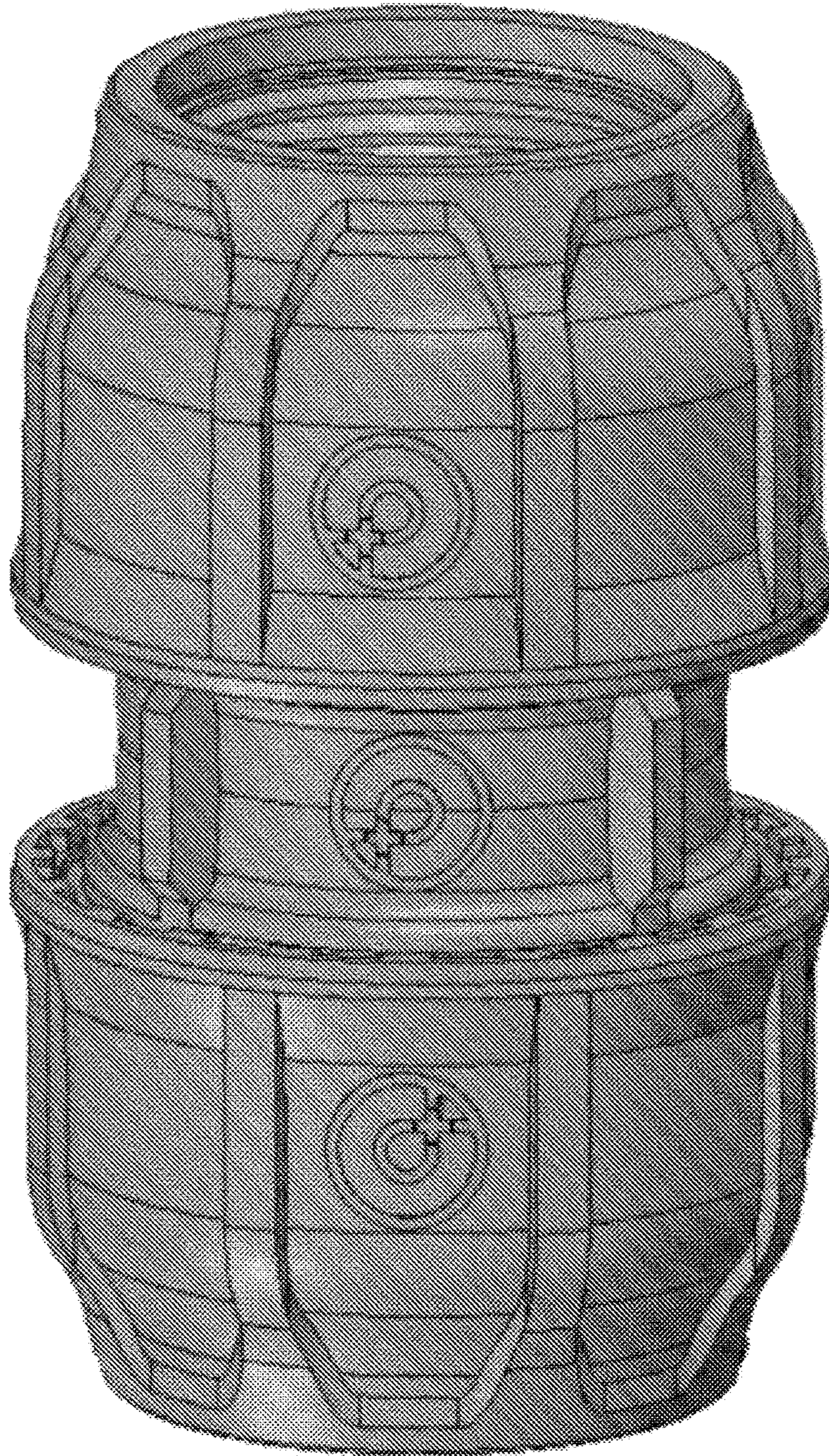


FIG. 10