



US00D856494S

(12) **United States Design Patent**
Bahler

(10) **Patent No.:** **US D856,494 S**

(45) **Date of Patent:** **** Aug. 13, 2019**

(54) **FAUCET**

D718,420 S * 11/2014 Rexach D23/238
D829,867 S * 10/2018 McKeone D23/255
10,184,232 B2 * 1/2019 Veros E03C 1/055

(71) Applicant: **DELTA FAUCET COMPANY,**
Indianapolis, IN (US)

* cited by examiner

(72) Inventor: **Jordan Bahler,** Frankfort, IN (US)

Primary Examiner — Eric L Goodman

(73) Assignee: **DELTA FAUCET COMPANY,**
Indianapolis, IN (US)

Assistant Examiner — Amy C Wierenga

(74) *Attorney, Agent, or Firm* — Edgar A. Zarins; Nirav
D. Parikh

(**) Term: **15 Years**

(21) Appl. No.: **29/646,171**

(57) **CLAIM**

The ornamental design for a faucet, as shown and described.

(22) Filed: **May 2, 2018**

(51) **LOC (12) Cl.** **23-01**

(52) **U.S. Cl.**
USPC **D23/257**

DESCRIPTION

(58) **Field of Classification Search**
USPC D23/238–243, 249–252, 254–255, 257;
D8/307–308
CPC Y10T 137/9464
See application file for complete search history.

FIG. 1 is a perspective view of a faucet showing my new design;
FIG. 2 is a front elevational view thereof;
FIG. 3 is a right side view thereof, the opposite side being a mirror image of the side shown;
FIG. 4 is a rear view thereof;
FIG. 5 is a top plan view thereof; and,
FIG. 6 is a bottom view thereof.

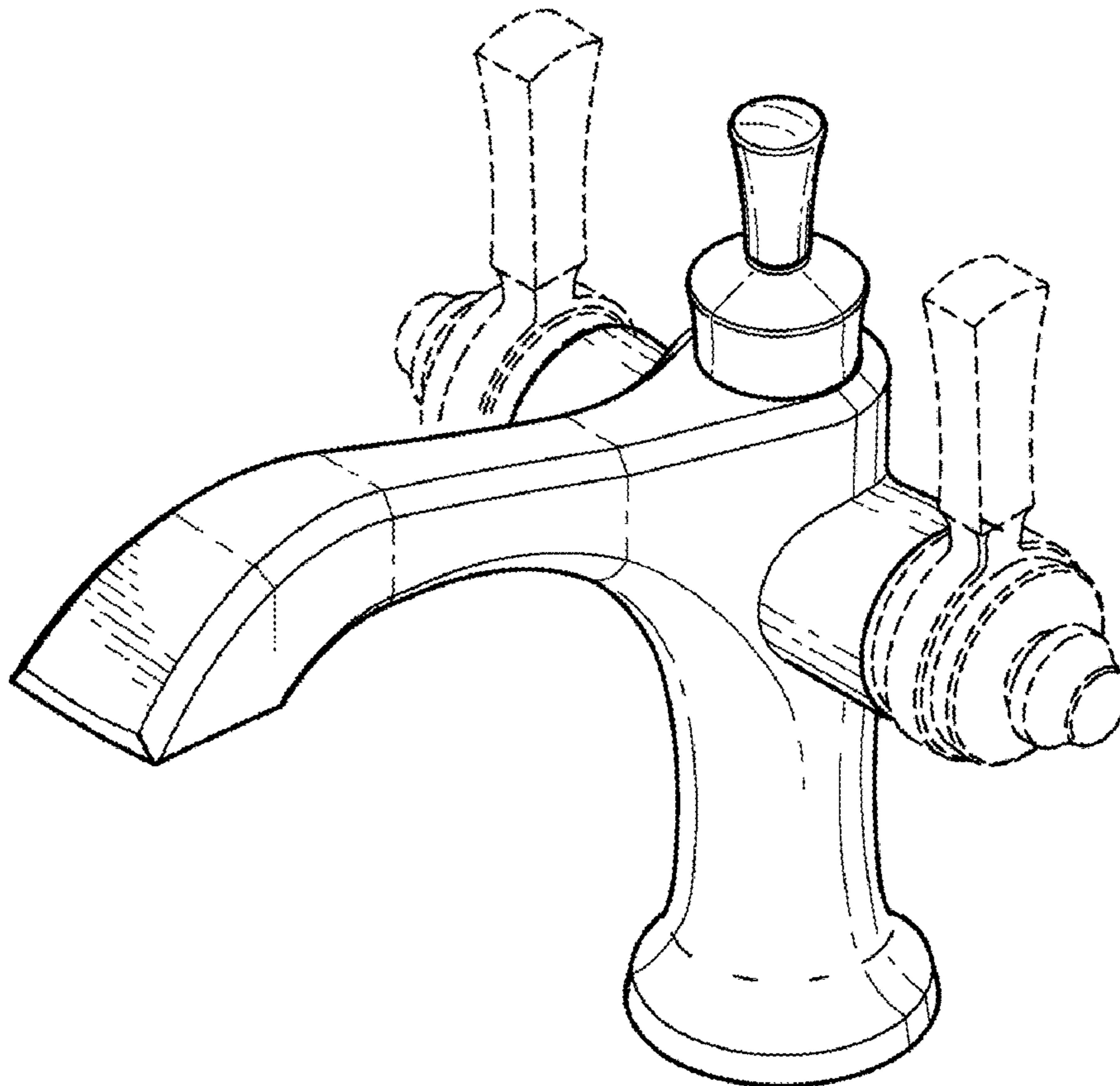
The broken-line disclosure in the view represents a portion of the faucet in which the claimed design is embodied, but which forms no part of the claimed design.

(56) **References Cited**

U.S. PATENT DOCUMENTS

D117,171 S * 10/1939 Fraser D23/257
D693,907 S * 11/2013 Mendoza D23/238

1 Claim, 3 Drawing Sheets



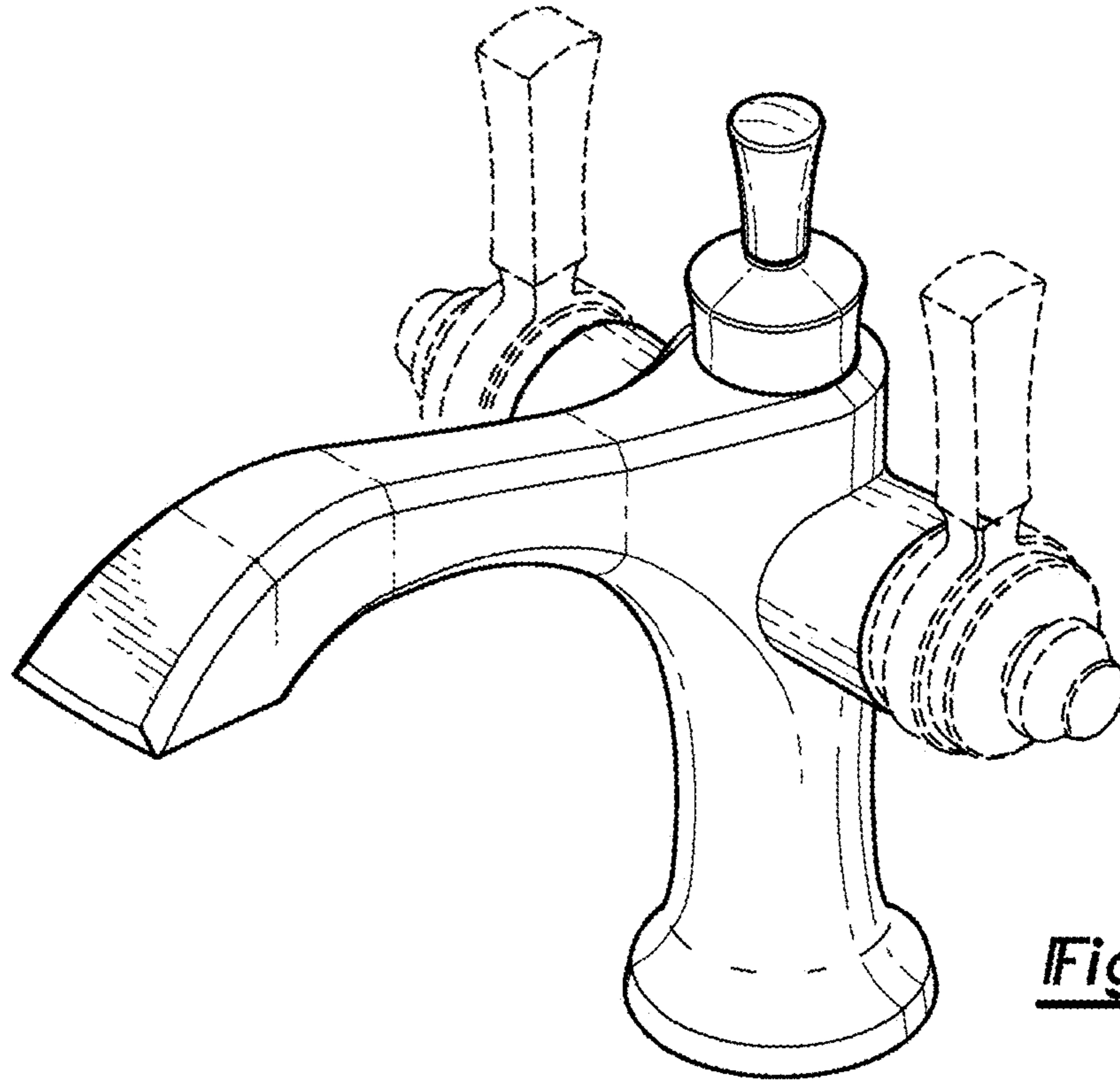


Fig-1

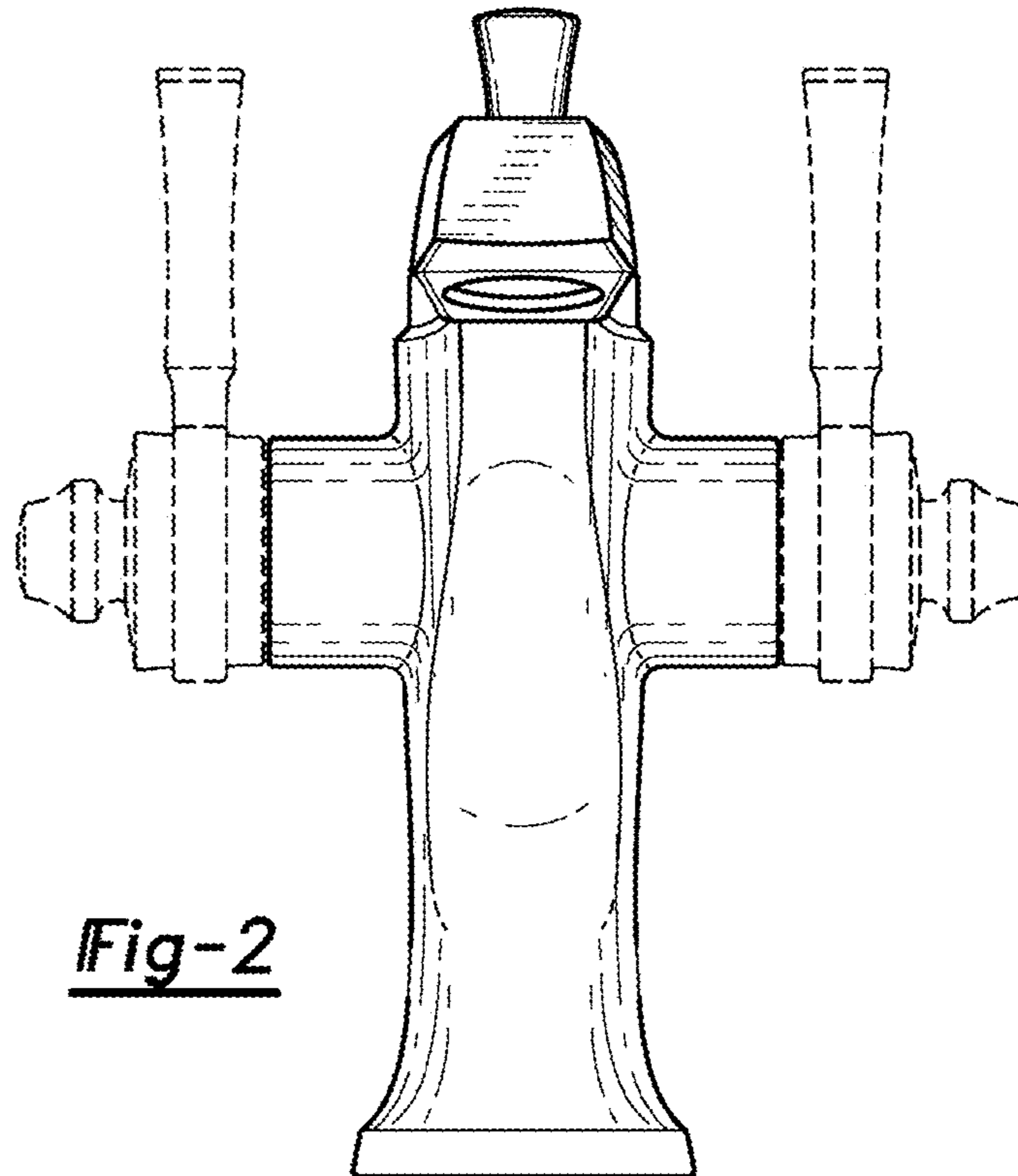


Fig-2

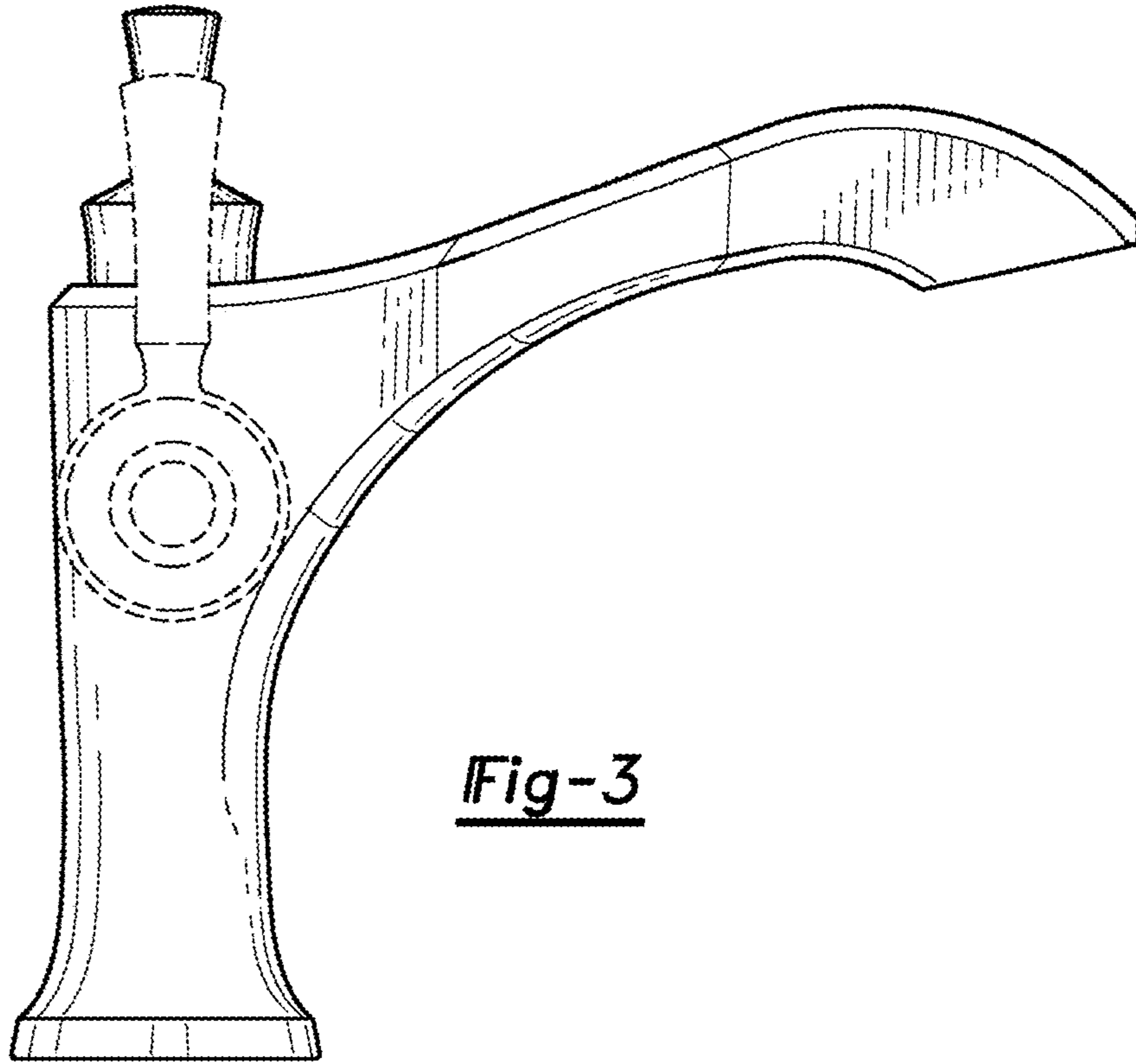


Fig-3

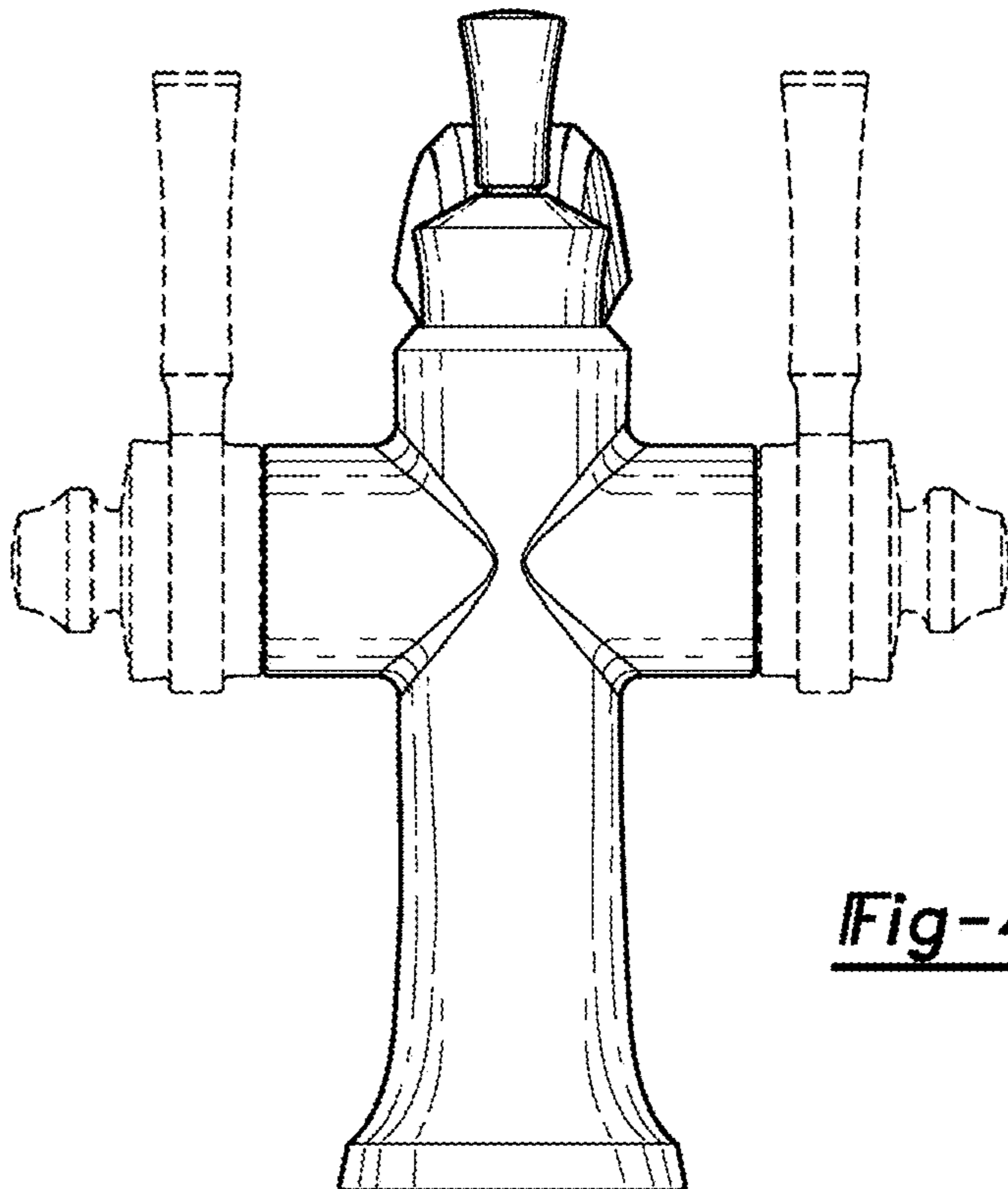


Fig-4

