



US00D856493S

(12) **United States Design Patent**  
**Spangler**

(10) **Patent No.:** **US D856,493 S**

(45) **Date of Patent:** **\*\* Aug. 13, 2019**

(54) **FAUCET BODY**

(71) Applicant: **DELTA FAUCET COMPANY,**  
Indianapolis, IN (US)

(72) Inventor: **Anthony G. Spangler,** Indianapolis, IN  
(US)

(73) Assignee: **DELTA FAUCET COMPANY,**  
Indianapolis, IN (US)

(\*\*) Term: **15 Years**

(21) Appl. No.: **29/632,382**

(22) Filed: **Jan. 8, 2018**

(51) **LOC (12) Cl.** ..... **23-01**

(52) **U.S. Cl.**  
USPC ..... **D23/257**

(58) **Field of Classification Search**  
USPC ..... D23/238-243, 249, 255, 257; D8/350,  
D8/353

See application file for complete search history.

(56) **References Cited**

**U.S. PATENT DOCUMENTS**

D429,316 S \* 8/2000 McKeone ..... D23/238  
D461,230 S \* 8/2002 Ko ..... D23/255

D486,563 S \* 2/2004 Hsieh ..... D23/238  
D488,539 S \* 4/2004 McKeone ..... D23/255  
D713,937 S \* 9/2014 Fritz ..... D23/242  
D810,888 S \* 2/2018 Schoenherr ..... D23/255  
D818,564 S \* 5/2018 Garland ..... D23/255  
D827,781 S \* 9/2018 Slothower ..... D23/242

\* cited by examiner

*Primary Examiner* — Robert A Delehanty

(74) *Attorney, Agent, or Firm* — Edgar A. Zarins; Nirav  
D. Parikh

(57) **CLAIM**

The ornamental design for a faucet body, as shown and  
described.

**DESCRIPTION**

FIG. 1 is a rear perspective view of a faucet body showing  
my new design;

FIG. 2 is a top plan view thereof;

FIG. 3 is a right side view thereof, the opposite side being  
a mirror image of the side shown;

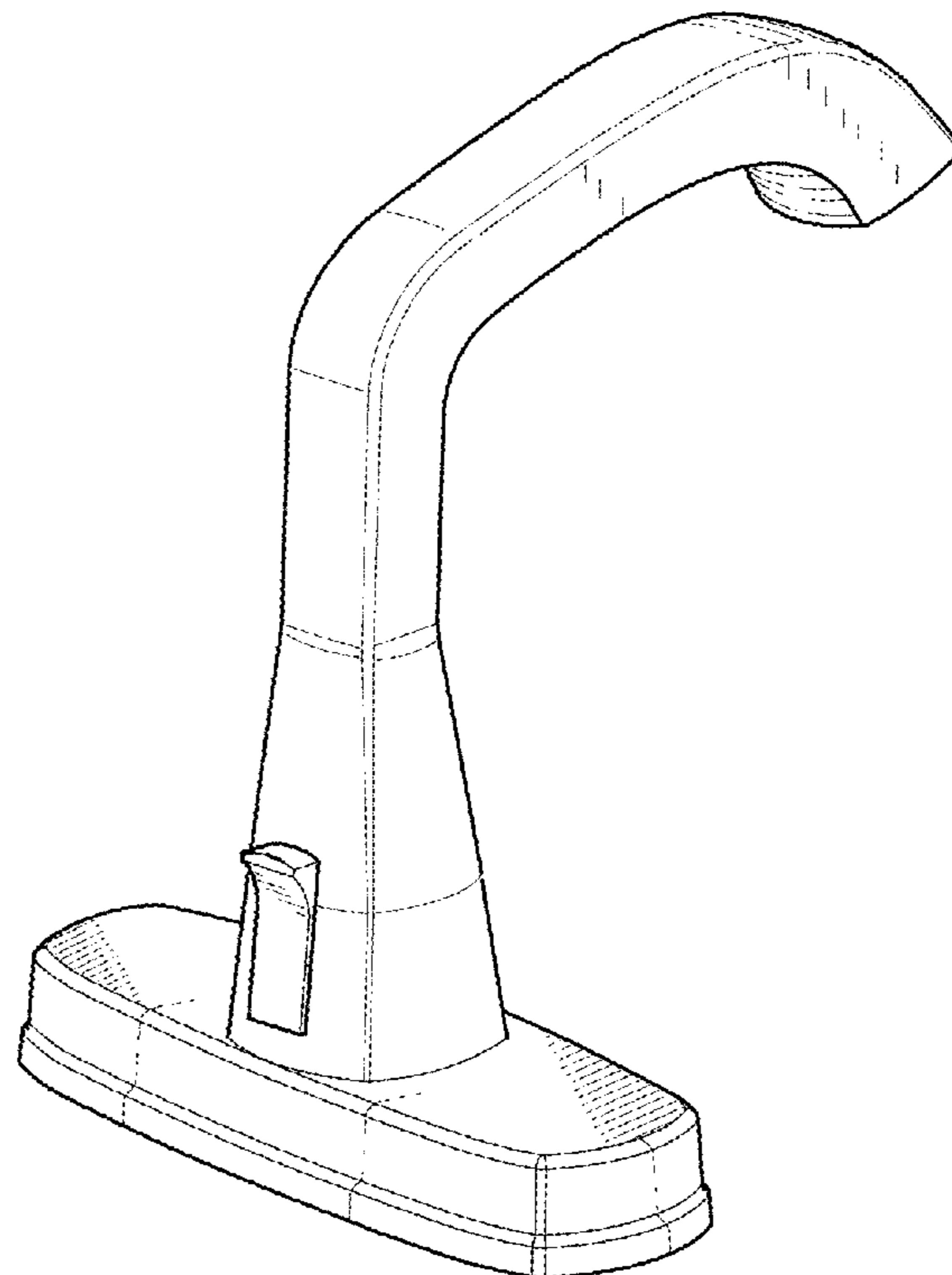
FIG. 4 is a bottom view thereof;

FIG. 5 is a front elevational view thereof; and,

FIG. 6 is a rear view thereof.

The broken-line disclosure in the view represents a portion  
of the faucet body in which the claimed design is embodied,  
but which forms no part of the claimed design.

**1 Claim, 3 Drawing Sheets**



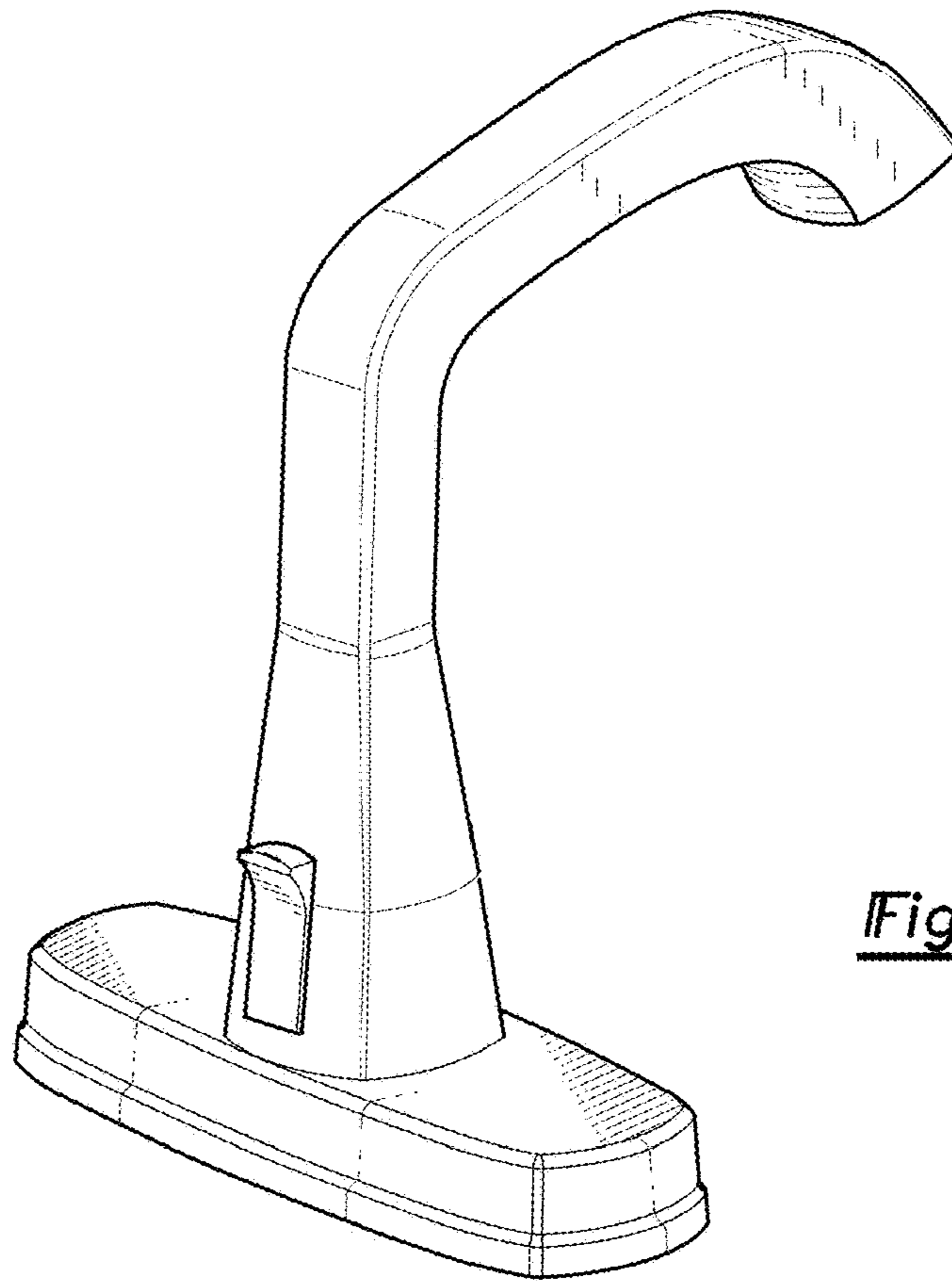


Fig-1

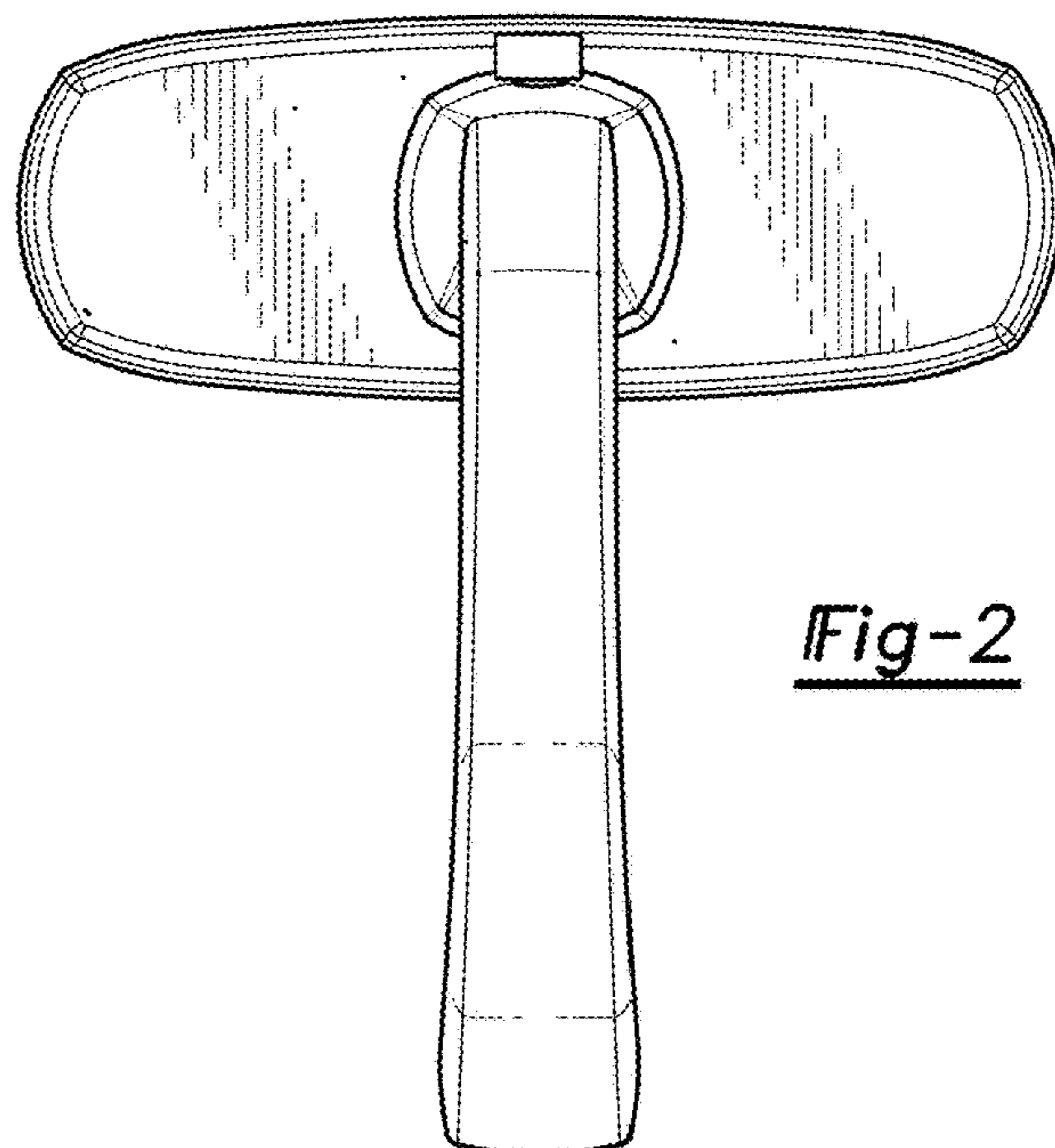


Fig-2

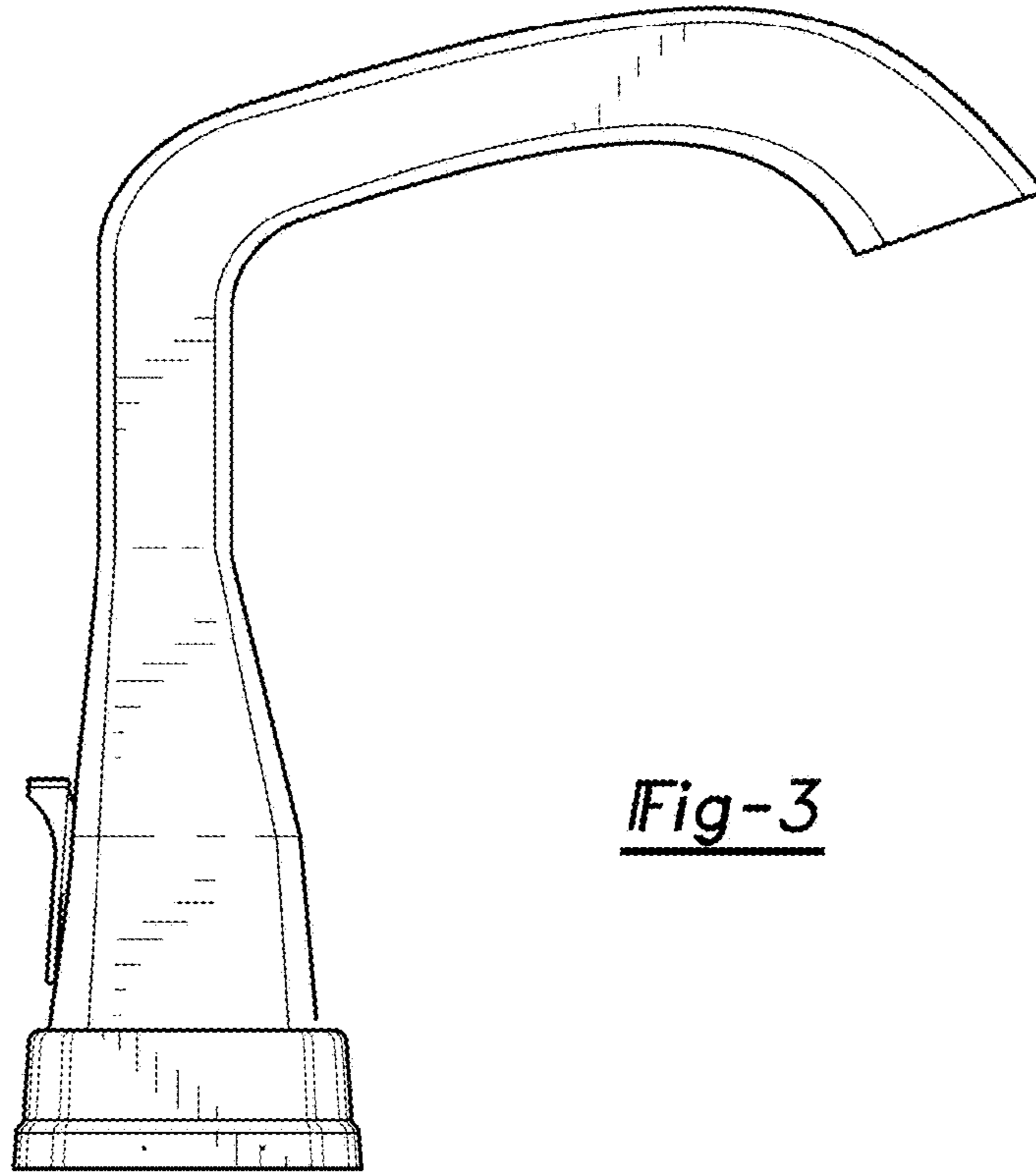


Fig-3

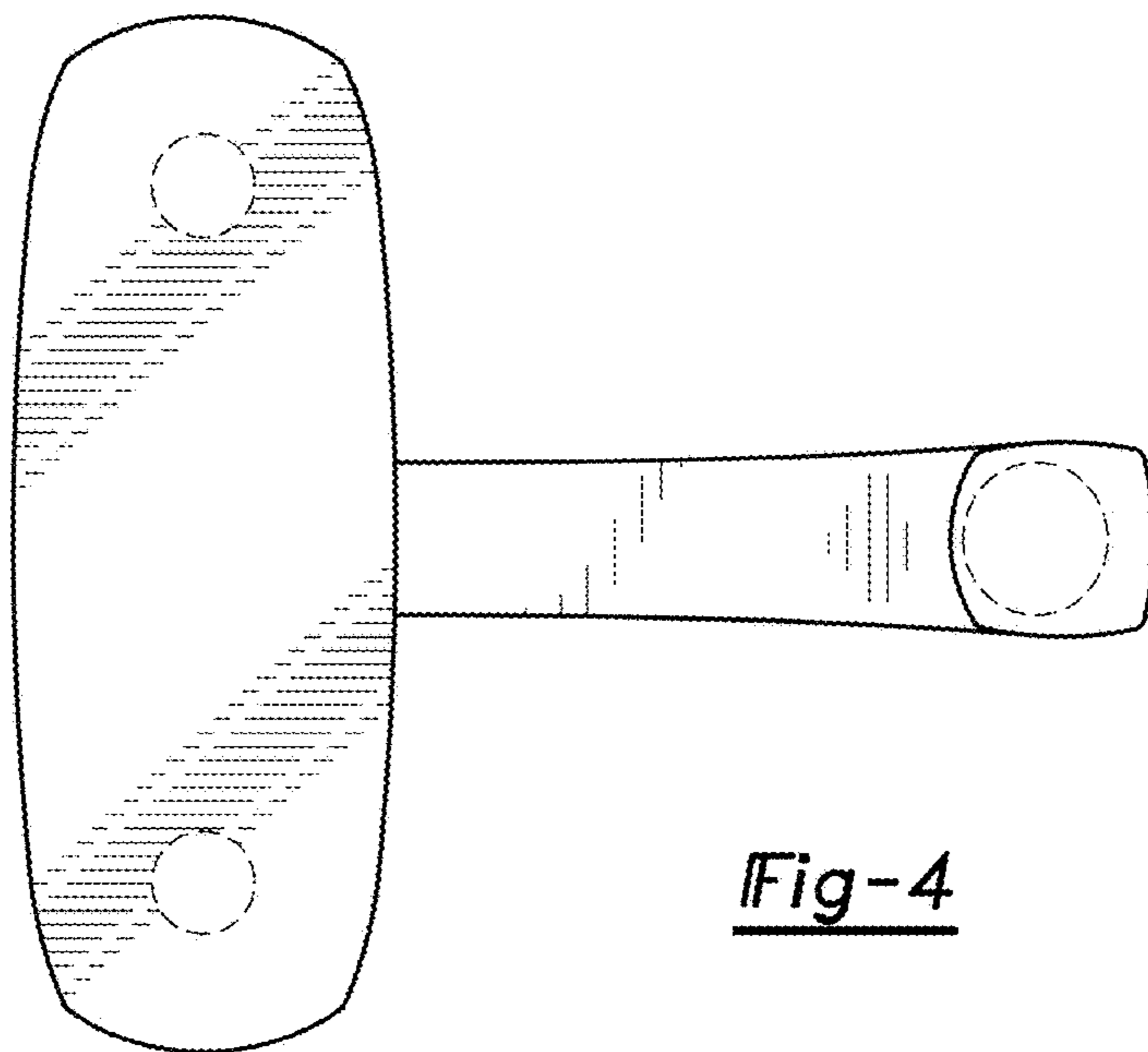


Fig-4

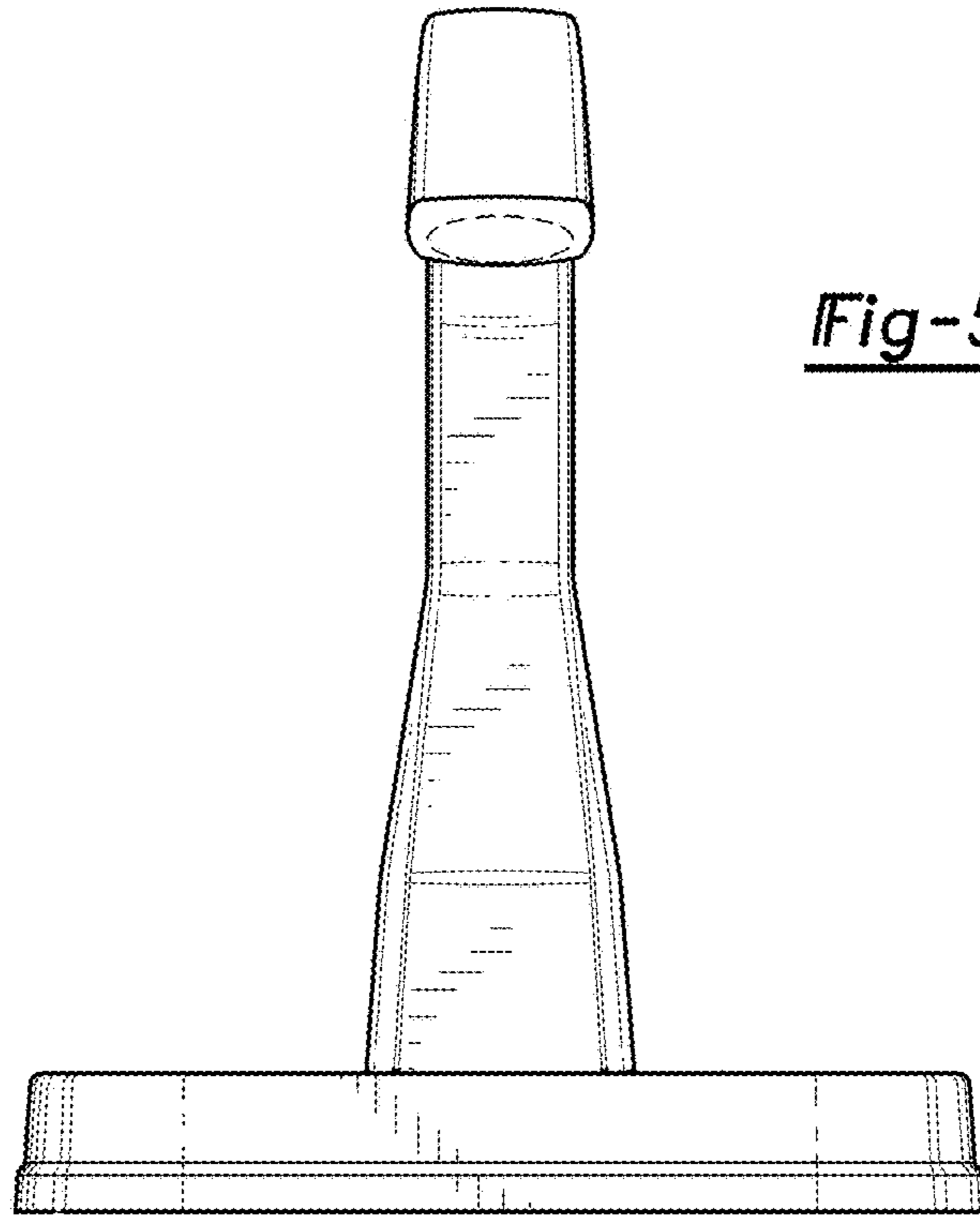


Fig-5

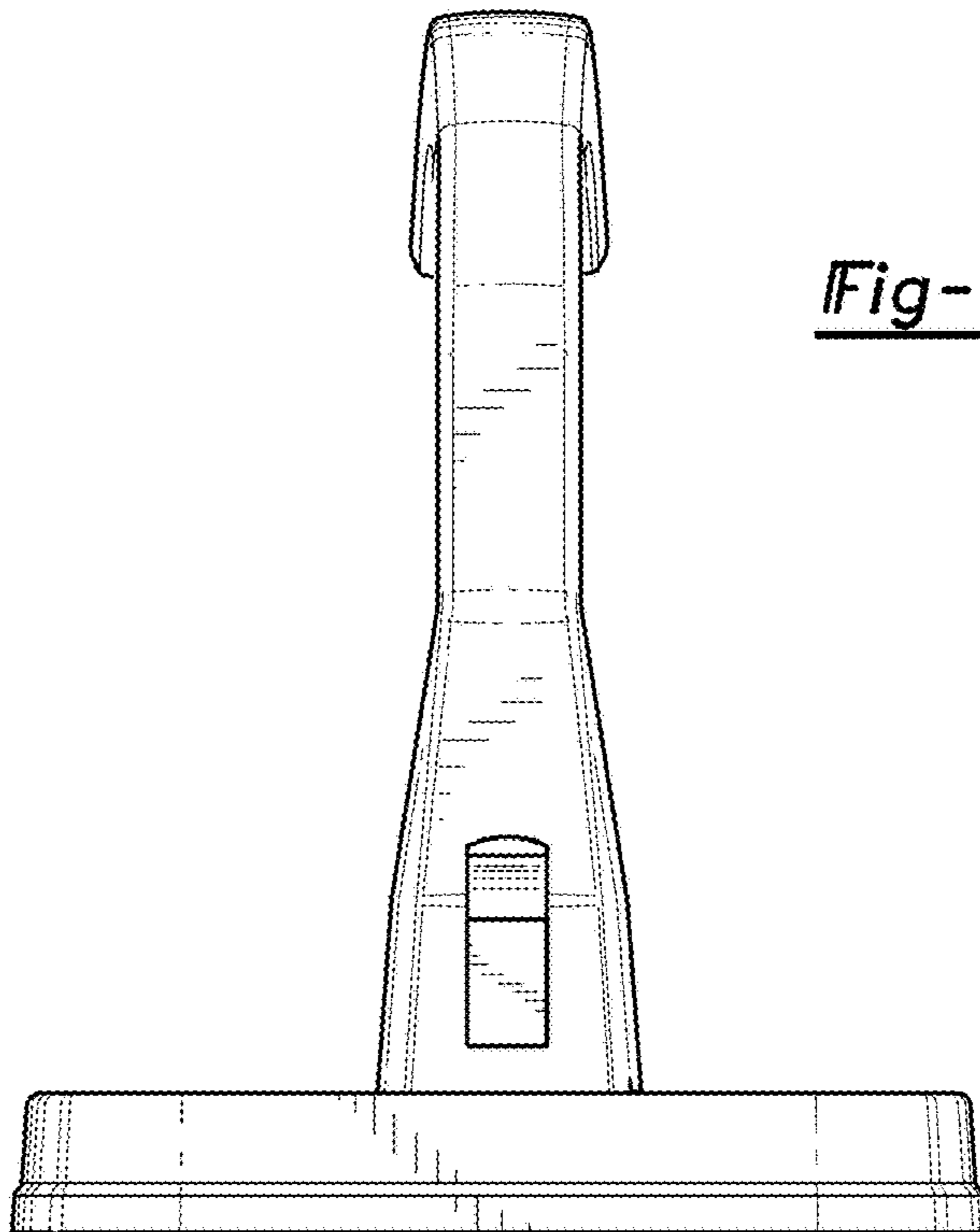


Fig-6