



US00D856491S

(12) **United States Design Patent**
Bahler

(10) **Patent No.:** **US D856,491 S**

(45) **Date of Patent:** **** Aug. 13, 2019**

(54) **FAUCET**

(71) Applicant: **DELTA FAUCET COMPANY,**
Indianapolis, IN (US)

(72) Inventor: **Jordan Bahler,** Frankfort, IN (US)

(73) Assignee: **DELTA FAUCET COMPANY,**
Indianapolis, IN (US)

(**) Term: **15 Years**

(21) Appl. No.: **29/646,076**

(22) Filed: **May 1, 2018**

(51) **LOC (12) Cl.** **23-01**

(52) **U.S. Cl.**
USPC **D23/255**

(58) **Field of Classification Search**
USPC D23/238–243, 249–252, 254–255, 257;
D8/307–308
CPC Y10T 137/9464
See application file for complete search history.

(56) **References Cited**

U.S. PATENT DOCUMENTS

D117,171 S	*	10/1939	Fraser	D23/257
D486,563 S	*	2/2004	Hsieh	D23/238
D517,653 S	*	3/2006	Ito	D23/238
D602,122 S	*	10/2009	Corbett	D23/238
D636,853 S	*	4/2011	Yu	D23/238
D656,585 S	*	3/2012	McKeone	D23/238

D693,907 S	*	11/2013	Mendoza	D23/238
D713,942 S	*	9/2014	Potter	D23/255
D820,957 S	*	6/2018	Schaubach	D23/238
D823,987 S	*	7/2018	Downey	D23/238
D825,032 S	*	8/2018	He	D23/238
D829,867 S	*	10/2018	McKeone	D23/255
10,184,232 B2	*	1/2019	Veros	E03C 1/055
D842,437 S	*	3/2019	McKeone	D23/257

* cited by examiner

Primary Examiner — Eric L Goodman

Assistant Examiner — Amy C Wierenga

(74) *Attorney, Agent, or Firm* — Edgar A. Zarins; Nirav D. Parikh

(57) **CLAIM**

The ornamental design for a faucet, as shown and described.

DESCRIPTION

FIG. 1 is a perspective view of a faucet showing my new design;

FIG. 2 is a top plan view thereof;

FIG. 3 is a bottom view thereof;

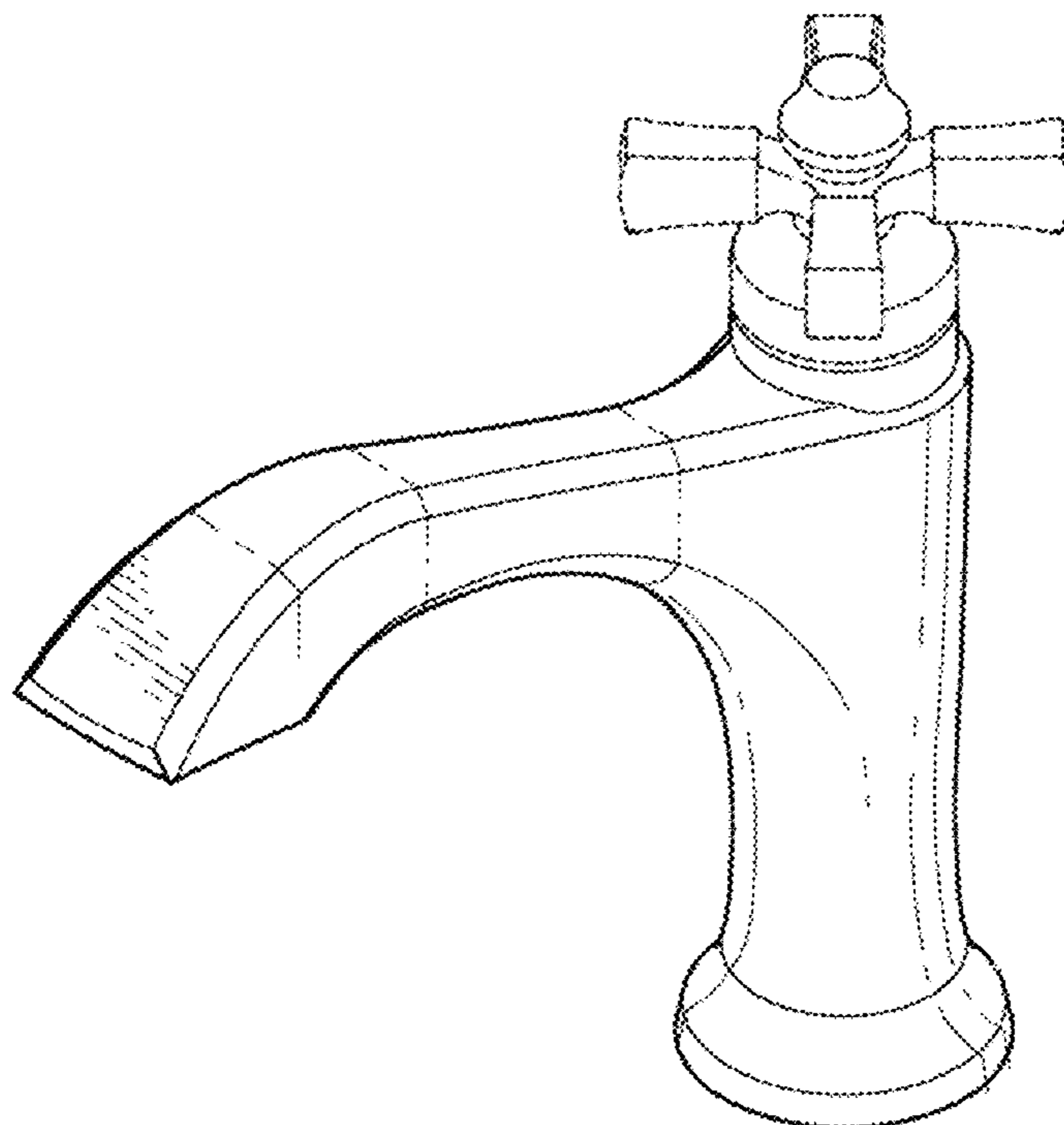
FIG. 4 is a right side view thereof, the opposite side being a mirror image of the side shown;

FIG. 5 is a front elevational view thereof; and,

FIG. 6 is a rear view thereof.

The broken-line disclosure in the view represents a portion of the faucet in which the claimed design is embodied, but which forms no part of the claimed design.

1 Claim, 3 Drawing Sheets



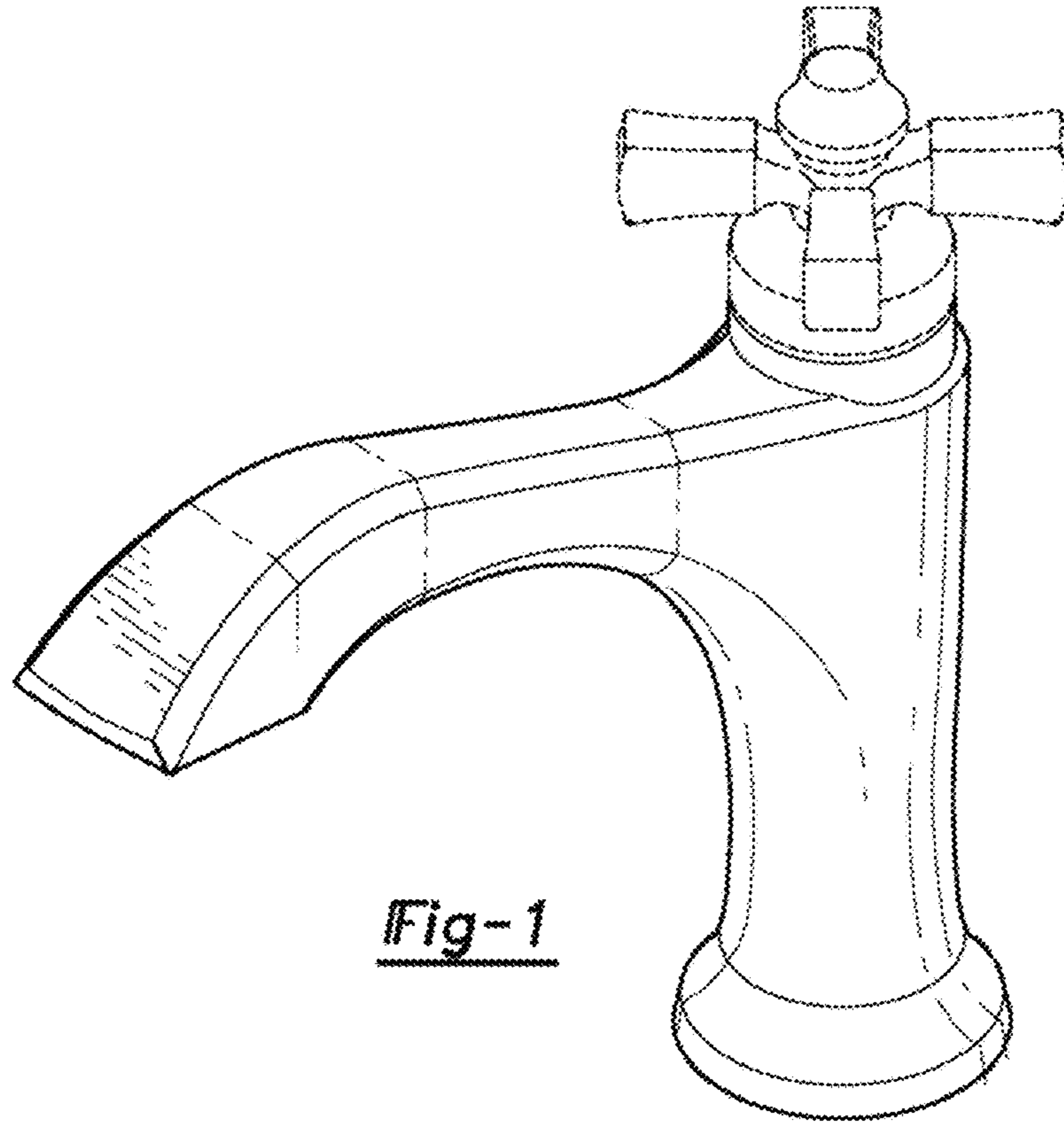


Fig-1

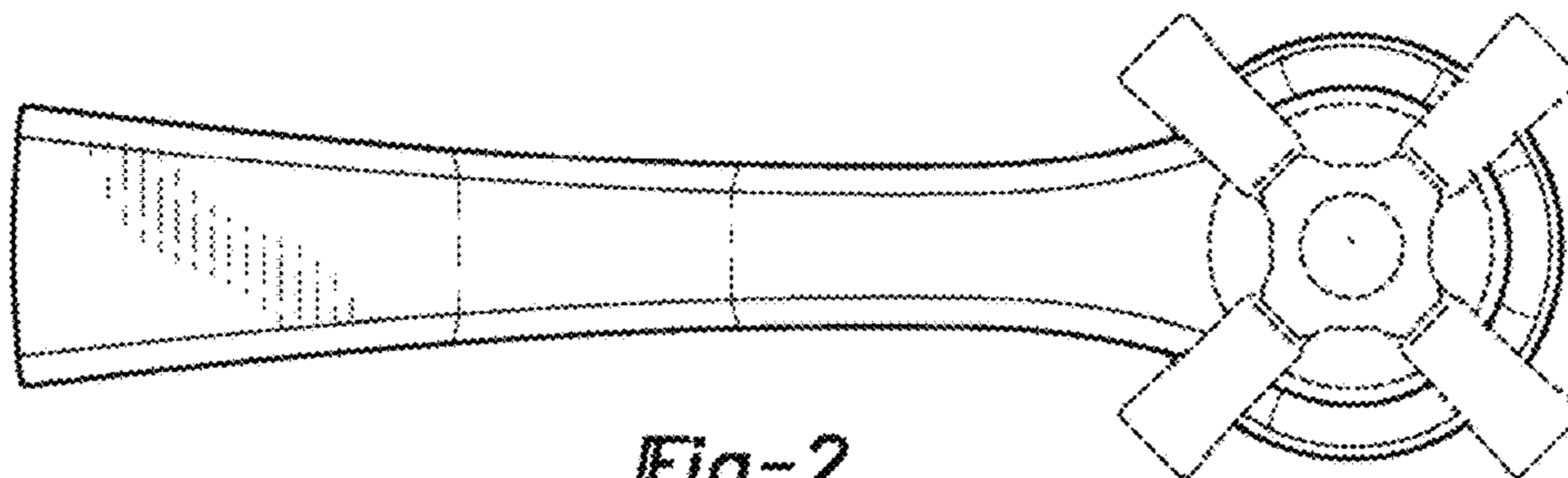


Fig-2

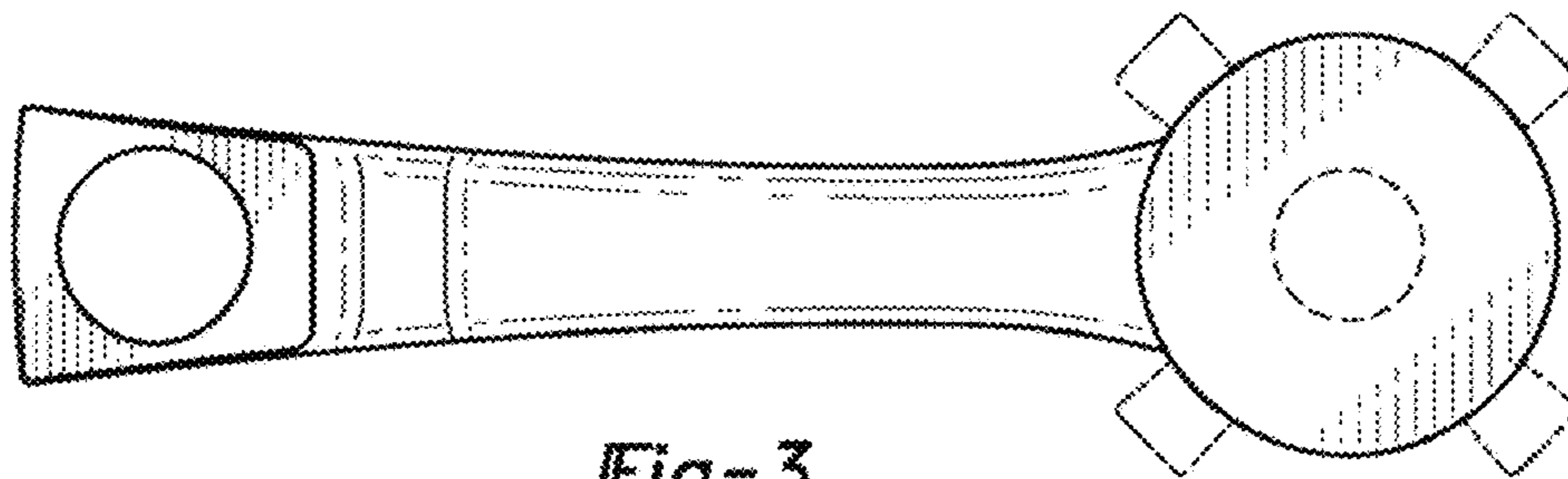


Fig-3

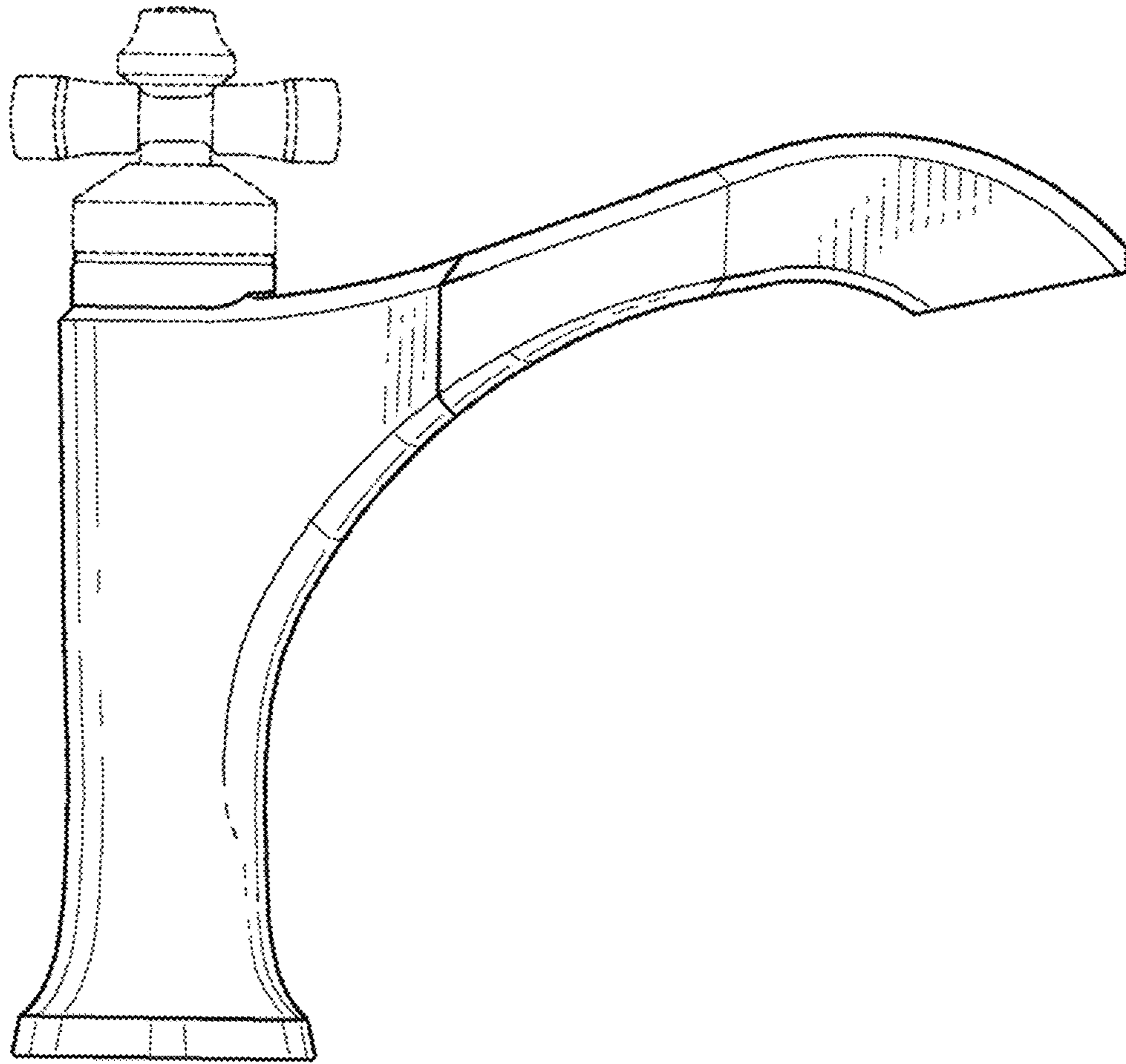


Fig-4

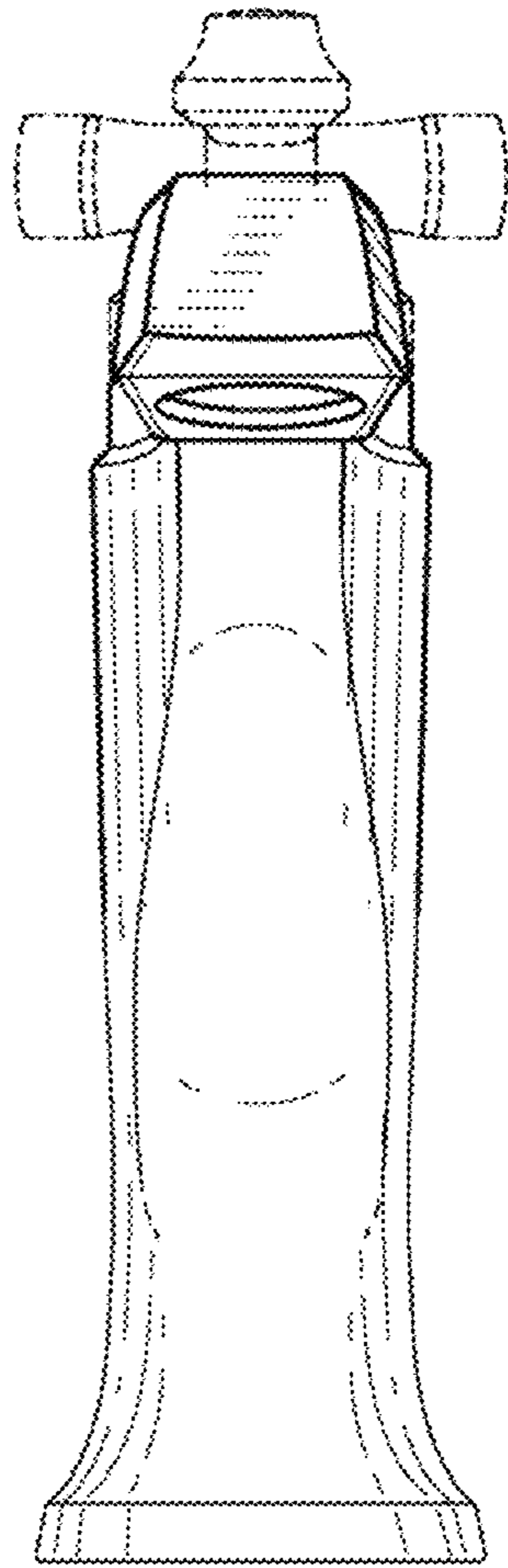


Fig-5

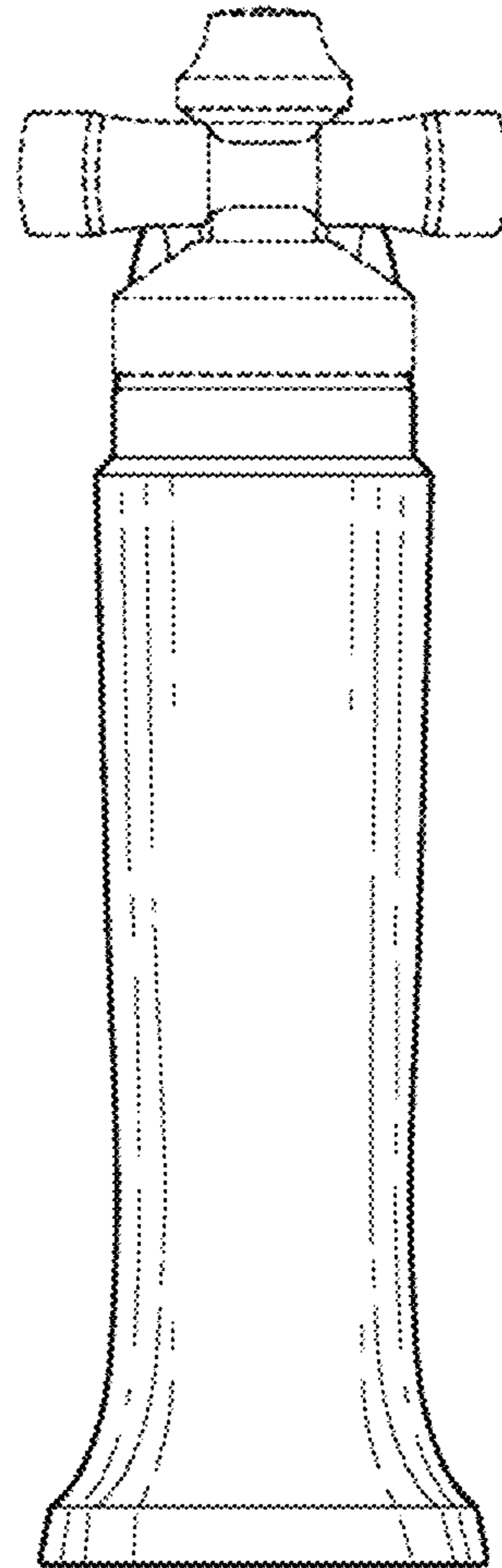


Fig-6