



US00D856486S

(12) **United States Design Patent**
Bryant et al.

(10) **Patent No.:** **US D856,486 S**

(45) **Date of Patent:** **** Aug. 13, 2019**

(54) **WATER FAUCET**

(71) Applicant: **BDR Thermea Group B.V.**, Apeldoorn (NL)

(72) Inventors: **Simon Daniel Bryant**, Norwich (GB);
Matthew Robert Broughton, Norwich (GB); **Paulo Jorge Gomes Gois**, Norwich (GB)

(73) Assignee: **BDR Thermea Group B.V.**, Apeldoorn (NL)

(**) Term: **15 Years**

(21) Appl. No.: **29/643,578**

(22) Filed: **Apr. 10, 2018**

(30) **Foreign Application Priority Data**

Nov. 22, 2017 (GB) 6022578

(51) **LOC (12) Cl.** **23-01**

(52) **U.S. Cl.**
USPC **D23/238**

(58) **Field of Classification Search**
USPC D23/238–243, 249–252, 254–255, 257;
D8/307–308
CPC Y10T 137/9464
See application file for complete search history.

(56) **References Cited**

U.S. PATENT DOCUMENTS

D524,416 S * 7/2006 Haug D23/238
D608,863 S * 1/2010 Pan D23/255
D635,645 S * 4/2011 Rubin D23/238
D639,394 S * 6/2011 Citterio D23/238

D655,784 S * 3/2012 Fukasawa D23/238
D655,786 S * 3/2012 Fukasawa D23/242
D754,300 S * 4/2016 Lord D23/255
D829,305 S * 9/2018 Wang D23/255

* cited by examiner

Primary Examiner — Eric L Goodman

Assistant Examiner — Amy C Wierenga

(74) *Attorney, Agent, or Firm* — Brinks Gilson & Lione

(57) **CLAIM**

The ornamental design for a water faucet, as shown and described.

DESCRIPTION

FIG. 1 is a front perspective view of the water faucet according to the present invention;

FIG. 2 is a front view;

FIG. 3 is a rear view;

FIG. 4 is top view;

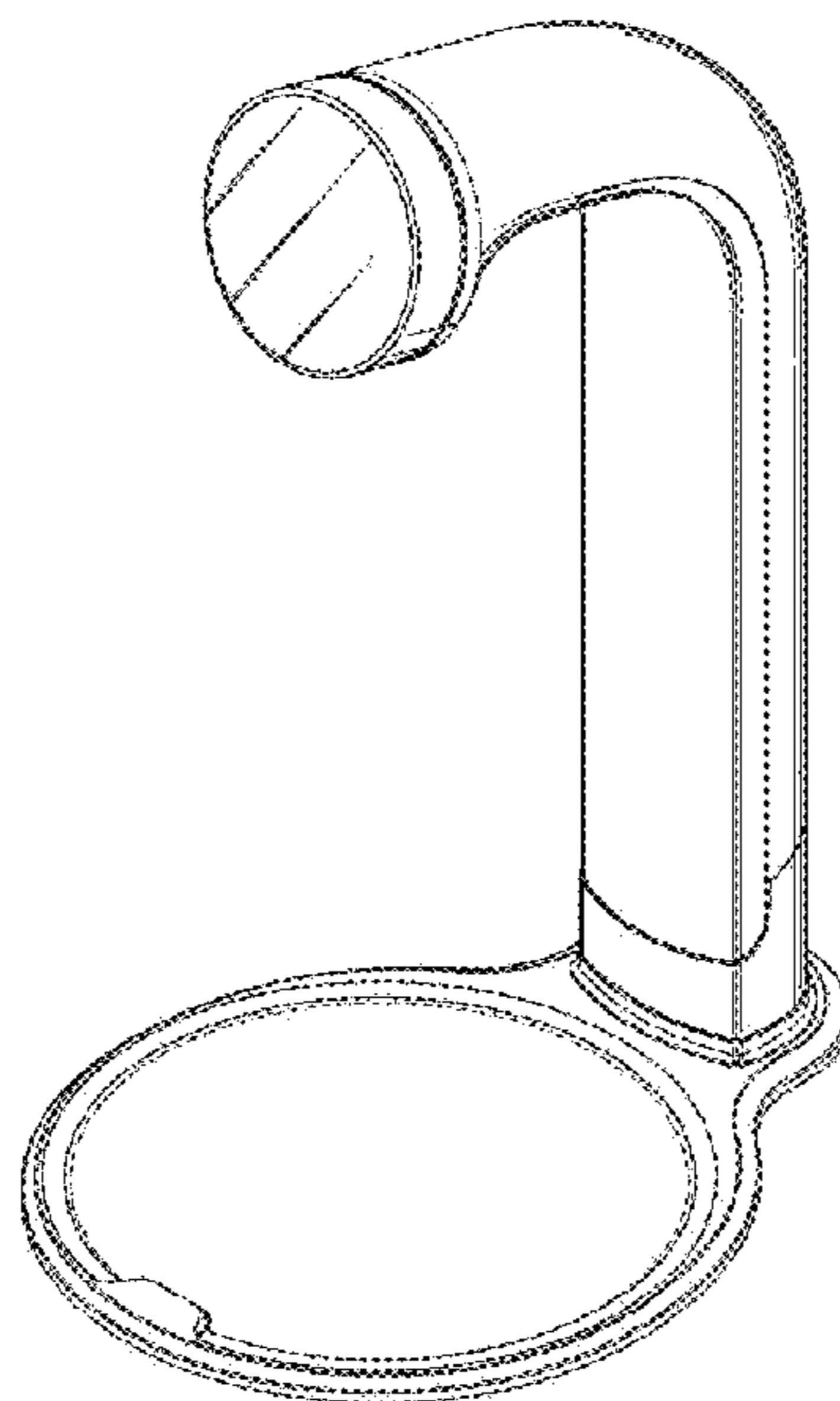
FIG. 5 is a bottom view;

FIG. 6 is a first side view; and,

FIG. 7 is a second side view.

The broken lines shown in the drawings represent unclaimed portions and form no part of the claimed design.

1 Claim, 7 Drawing Sheets



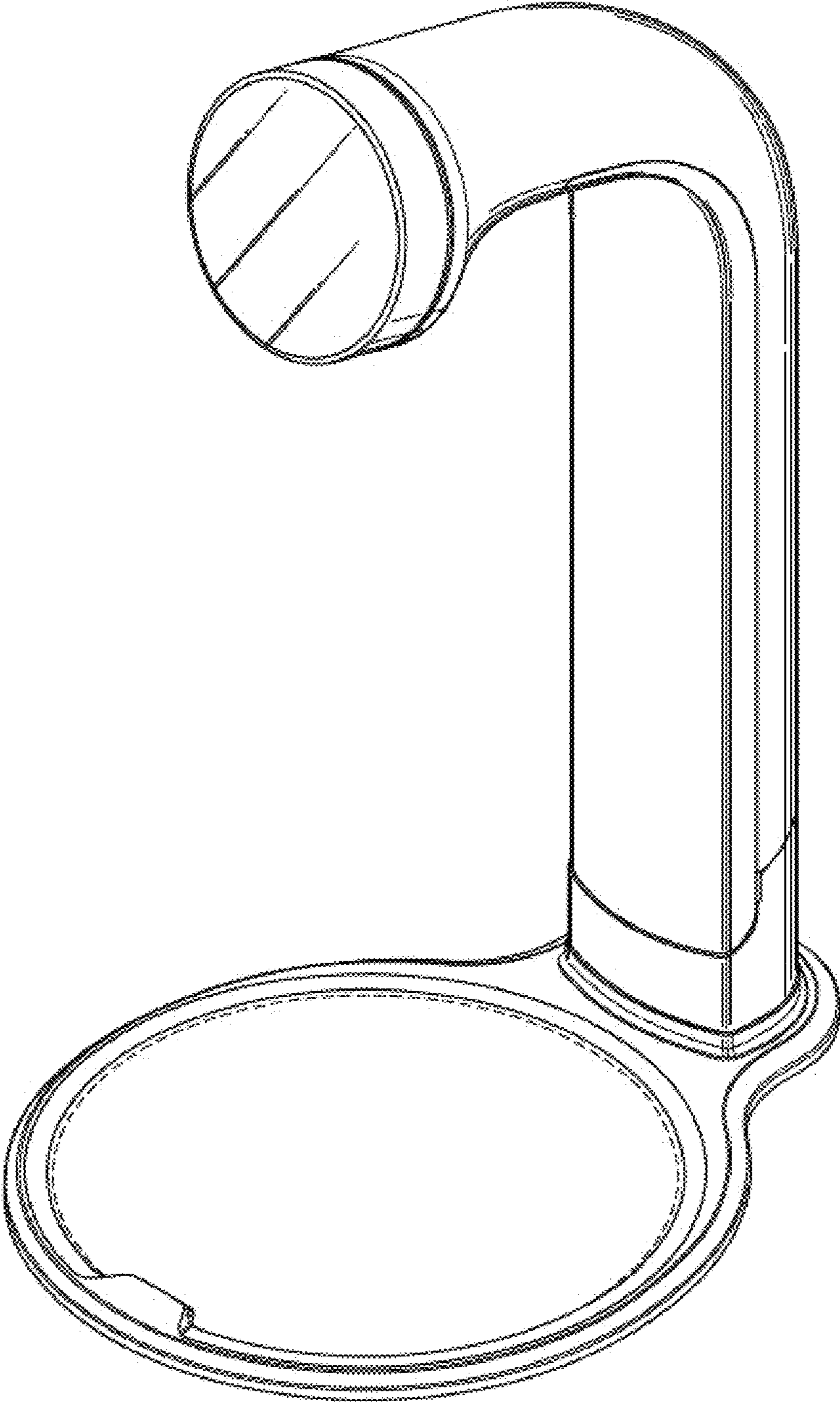


Fig. 1

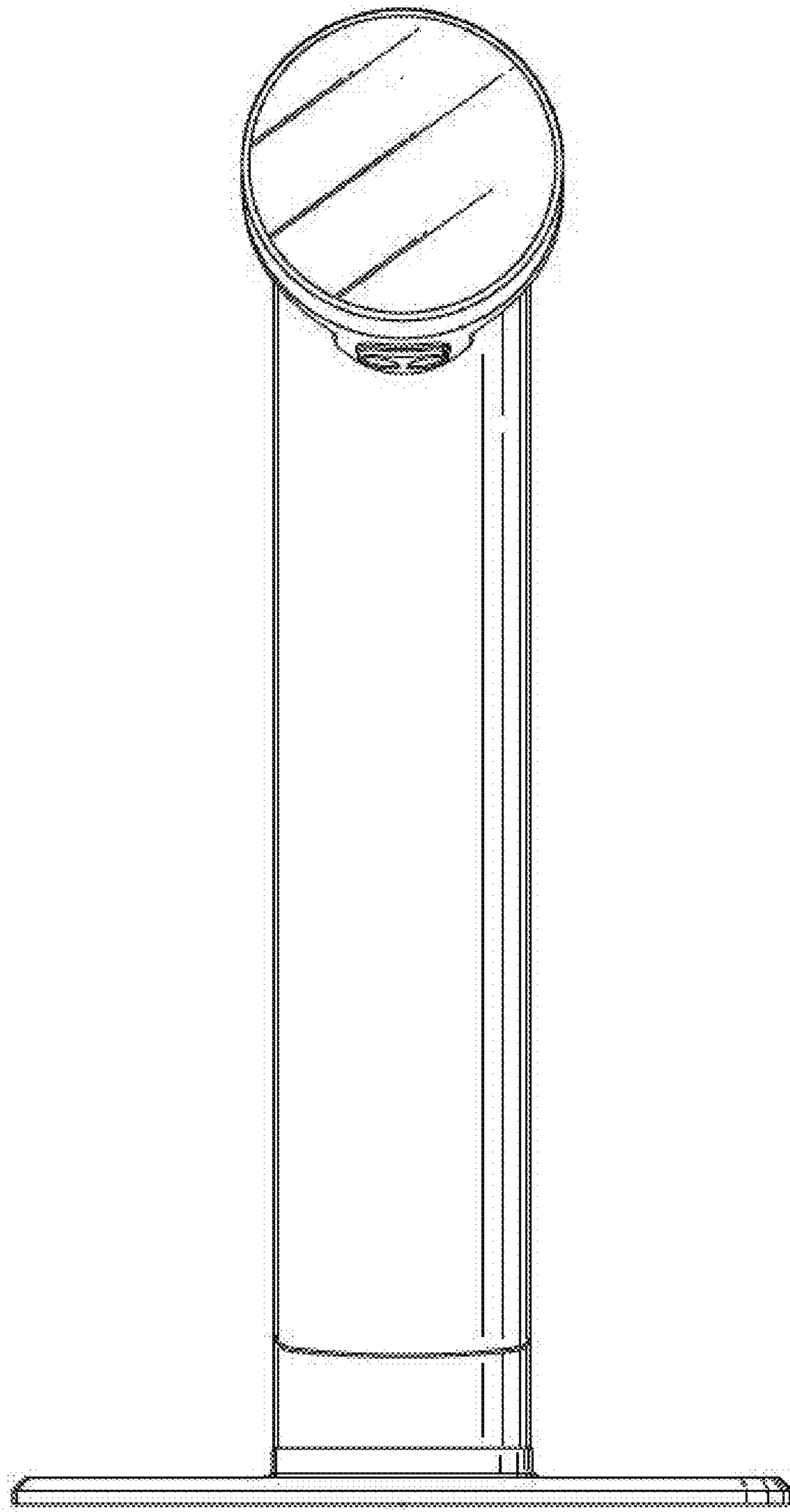


Fig. 2

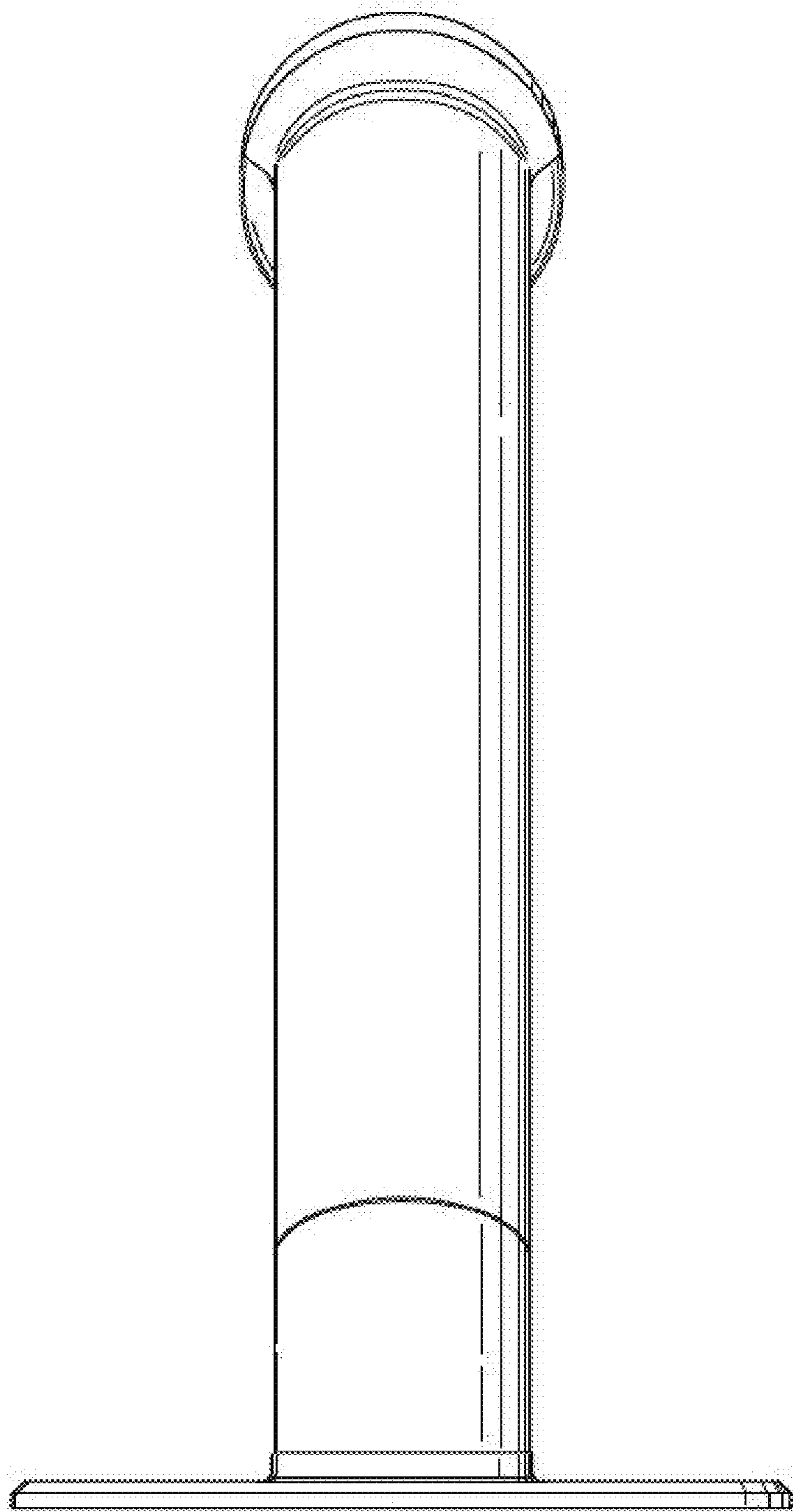


Fig. 3

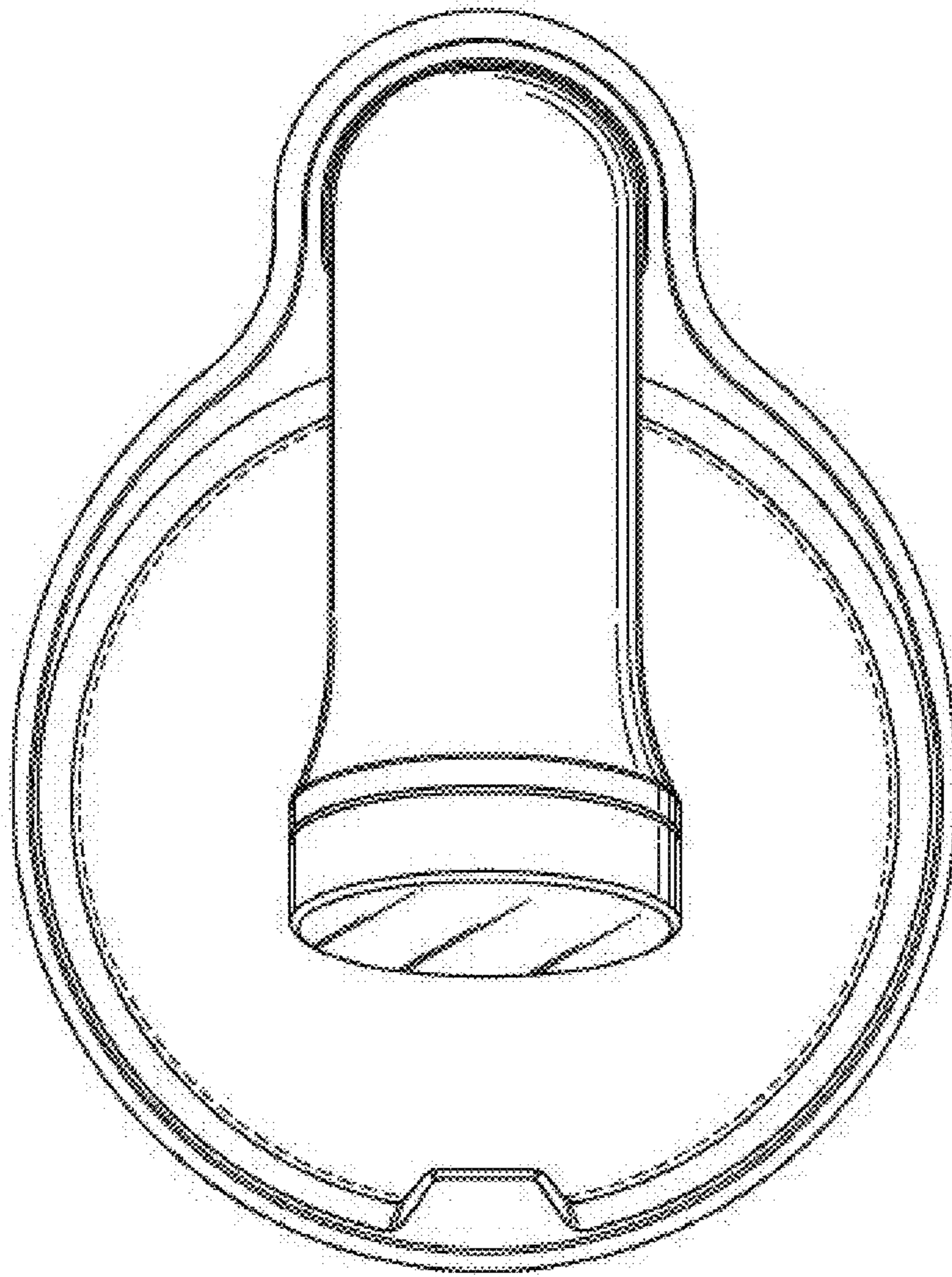


Fig. 4

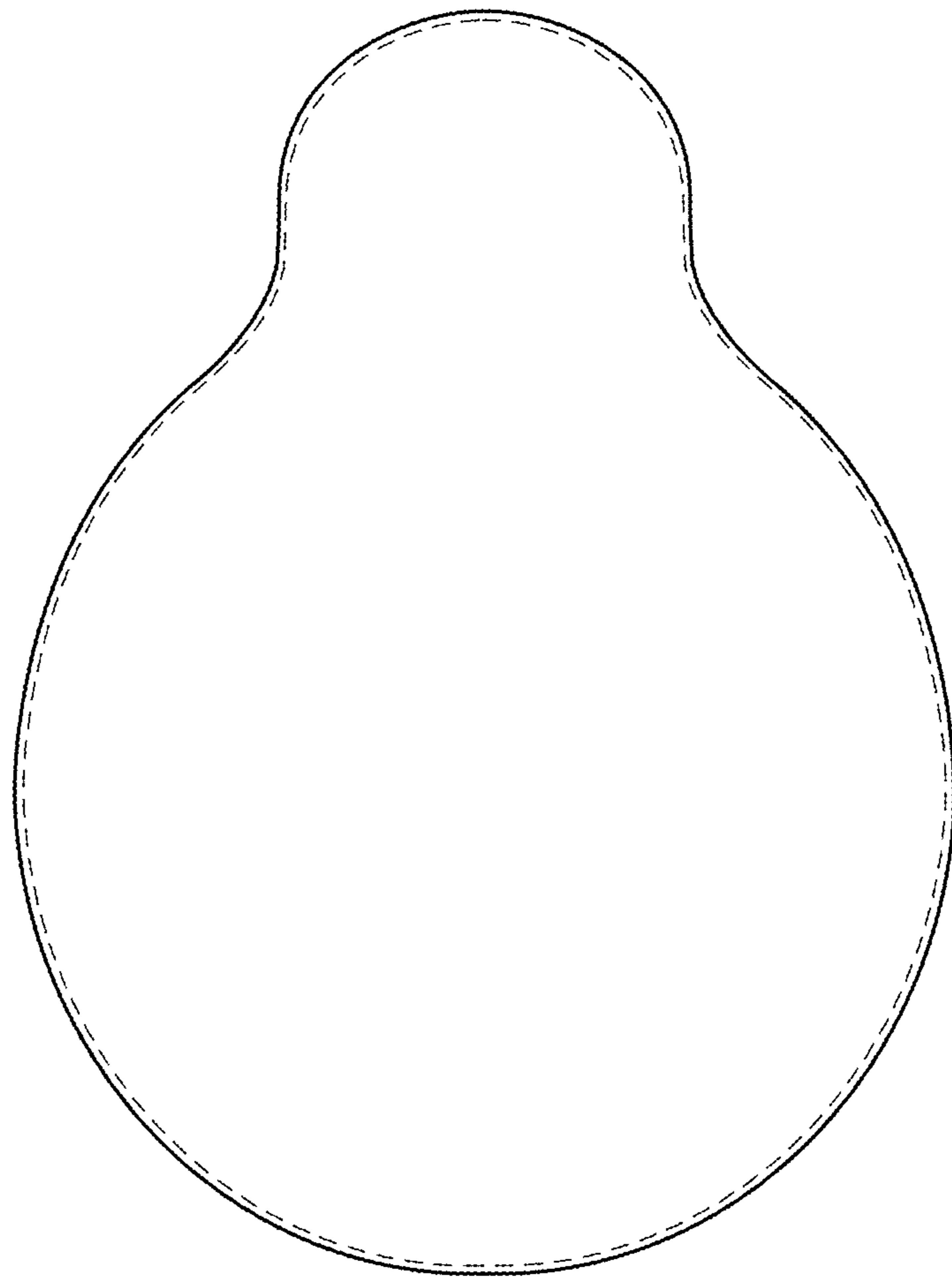


Fig. 5

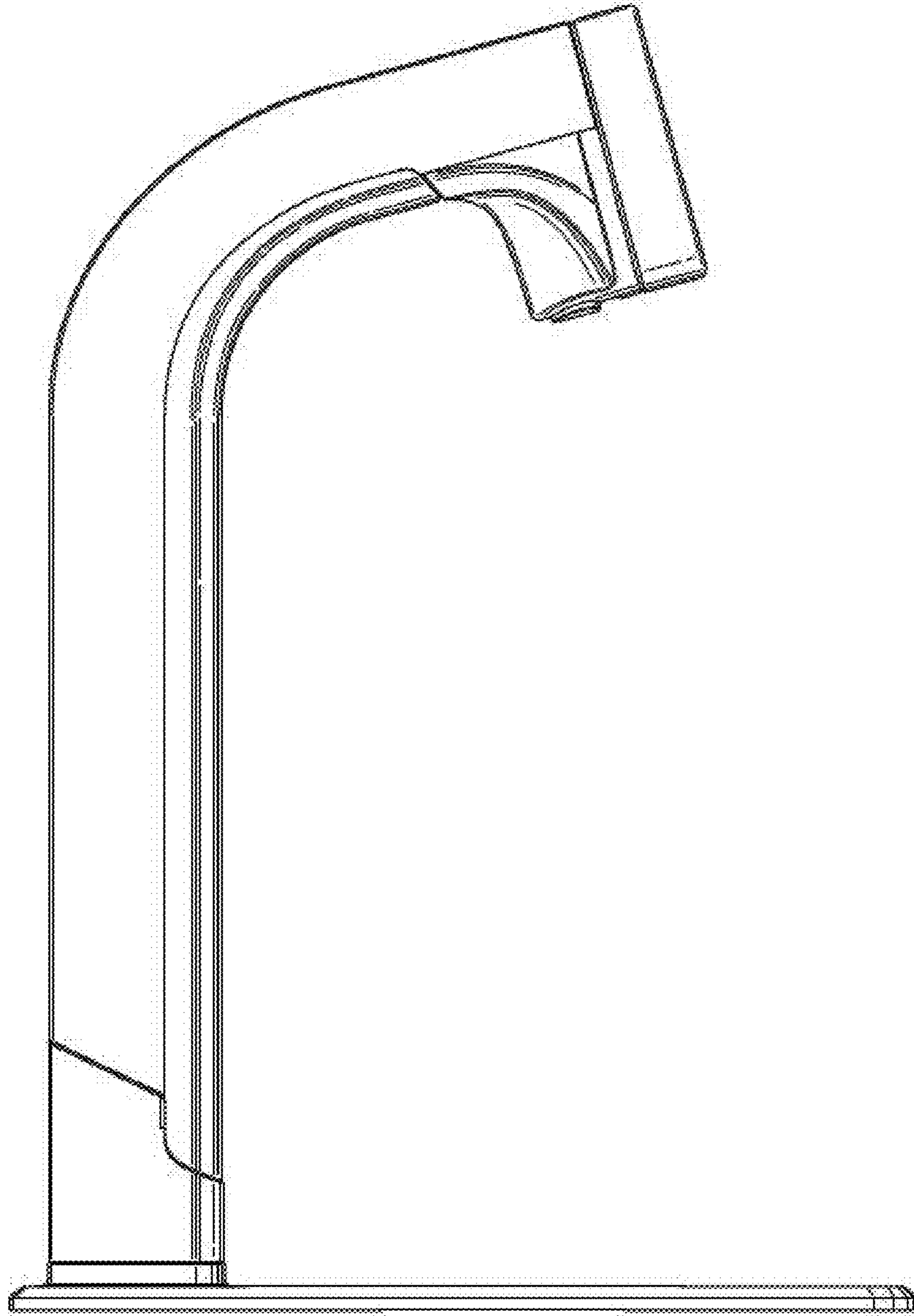


Fig. 6

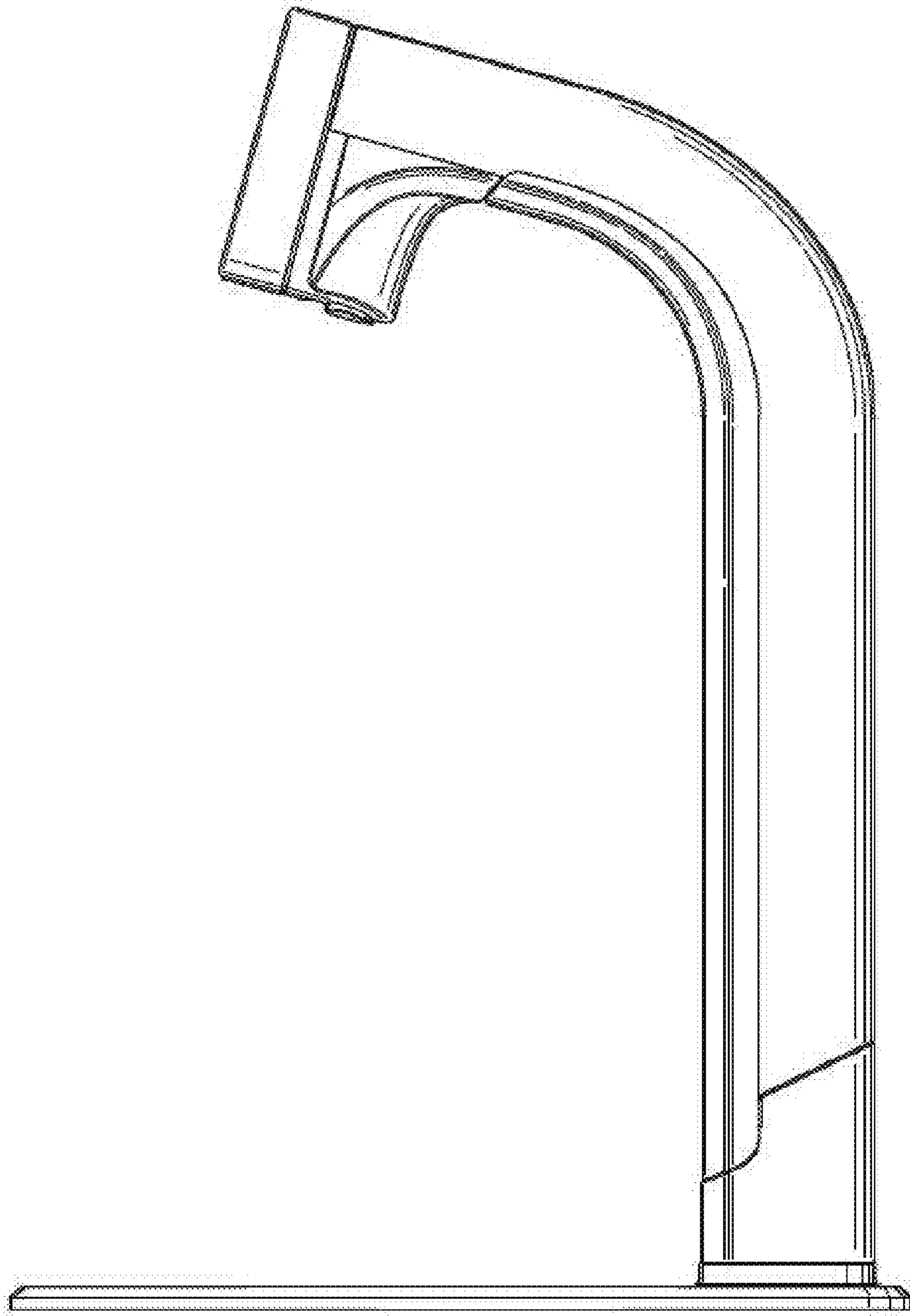


Fig. 7