



US00D856485S

(12) **United States Design Patent**
Gessi

(10) **Patent No.:** **US D856,485 S**

(45) **Date of Patent:** **** Aug. 13, 2019**

(54) **FAUCET**

(71) Applicant: **GESSI S.P.A.**, Serravalle Sesia (VC)
(IT)

(72) Inventor: **Gian Luca Gessi**, Serravalle Sesia (IT)

(73) Assignee: **GESSI S.P.A.**, Serravalle Sesia (VC)
(IT)

(**) Term: **15 Years**

(21) Appl. No.: **29/643,412**

(22) Filed: **Apr. 9, 2018**

(30) **Foreign Application Priority Data**

Oct. 9, 2017 (IT) 402017000113332

(51) **LOC (12) Cl.** **23-01**

(52) **U.S. Cl.**
USPC **D23/238**

(58) **Field of Classification Search**
USPC D23/238–243, 249–252, 254–255, 257;
D8/307–308

CPC Y10T 137/9464
See application file for complete search history.

(56) **References Cited**

U.S. PATENT DOCUMENTS

D466,979 S * 12/2002 Shulz D23/238
D526,389 S * 8/2006 Lammel D23/238

D621,005 S * 8/2010 Bouroullec D23/238
D685,878 S * 7/2013 Fritz D23/238
D685,880 S * 7/2013 Fritz D23/242
D734,834 S * 7/2015 Flowers D23/238
D737,937 S * 9/2015 Flowers D23/238
D741,453 S * 10/2015 Bahler D23/238
D756,487 S * 5/2016 Fritz D23/255
D820,959 S * 6/2018 Bennett D23/255
D832,405 S * 10/2018 Zeisel D23/257

* cited by examiner

Primary Examiner — Eric L Goodman

Assistant Examiner — Amy C Wierenga

(74) *Attorney, Agent, or Firm* — Underwood &
Associates, LLC

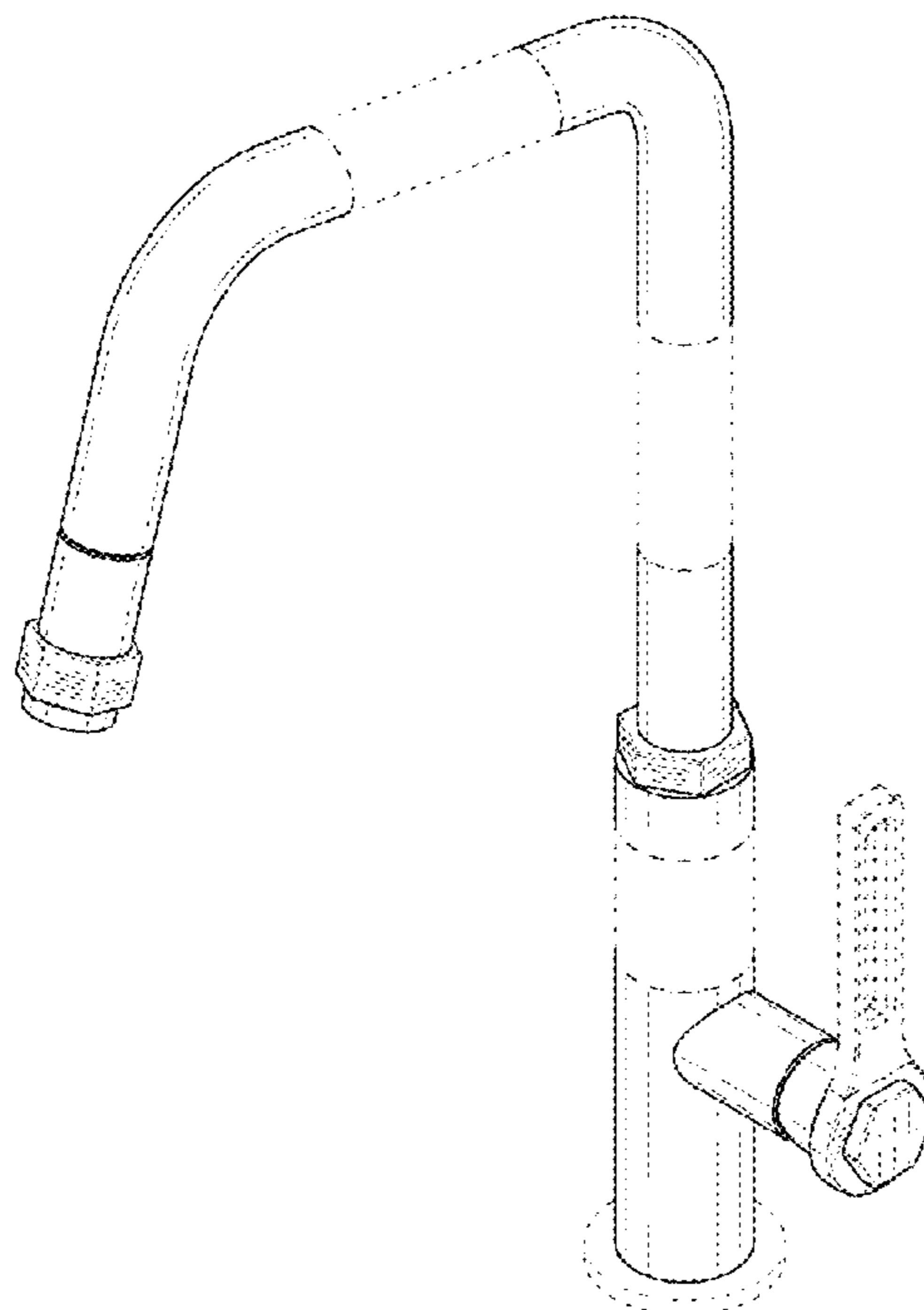
(57) **CLAIM**

The ornamental design for a faucet, as shown and described.

DESCRIPTION

FIG. 1 is a perspective view of a faucet;
FIG. 2 is a top view of the faucet of FIG. 1;
FIG. 3 is a bottom view of the faucet of FIG. 1;
FIG. 4 is a front view of the faucet of FIG. 1;
FIG. 5 is a back view of the faucet of FIG. 1;
FIG. 6 is a left view of the faucet of FIG. 1; and,
FIG. 7 is a right view of the faucet of FIG. 1.
The evenly spaced broken lines shown in the drawings
illustrate portions of the faucet that form no part of the claim.
The dash-dot-dash broken lines represent the boundaries of
the claim and form no part of the claim.

1 Claim, 7 Drawing Sheets



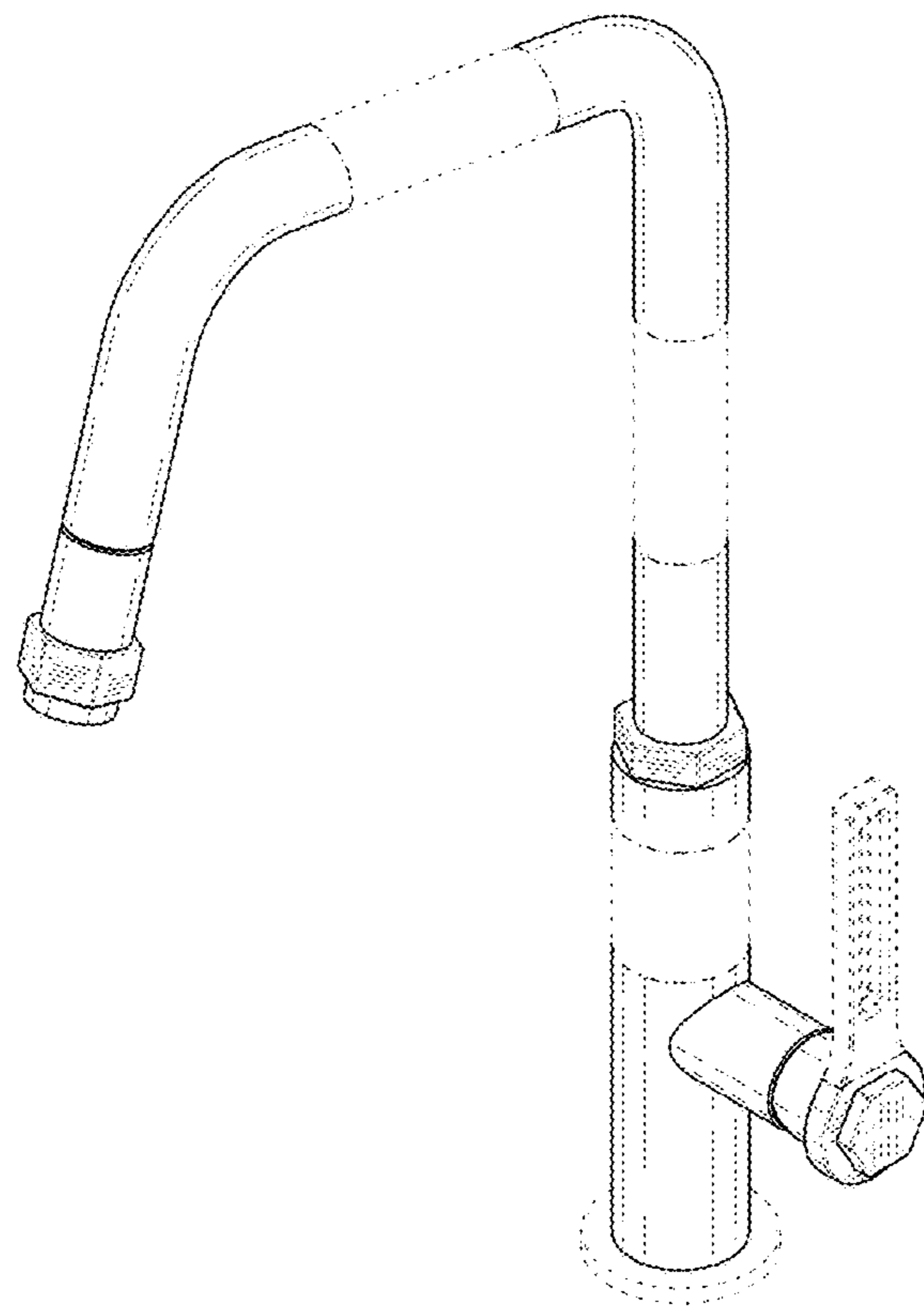


FIG. 1

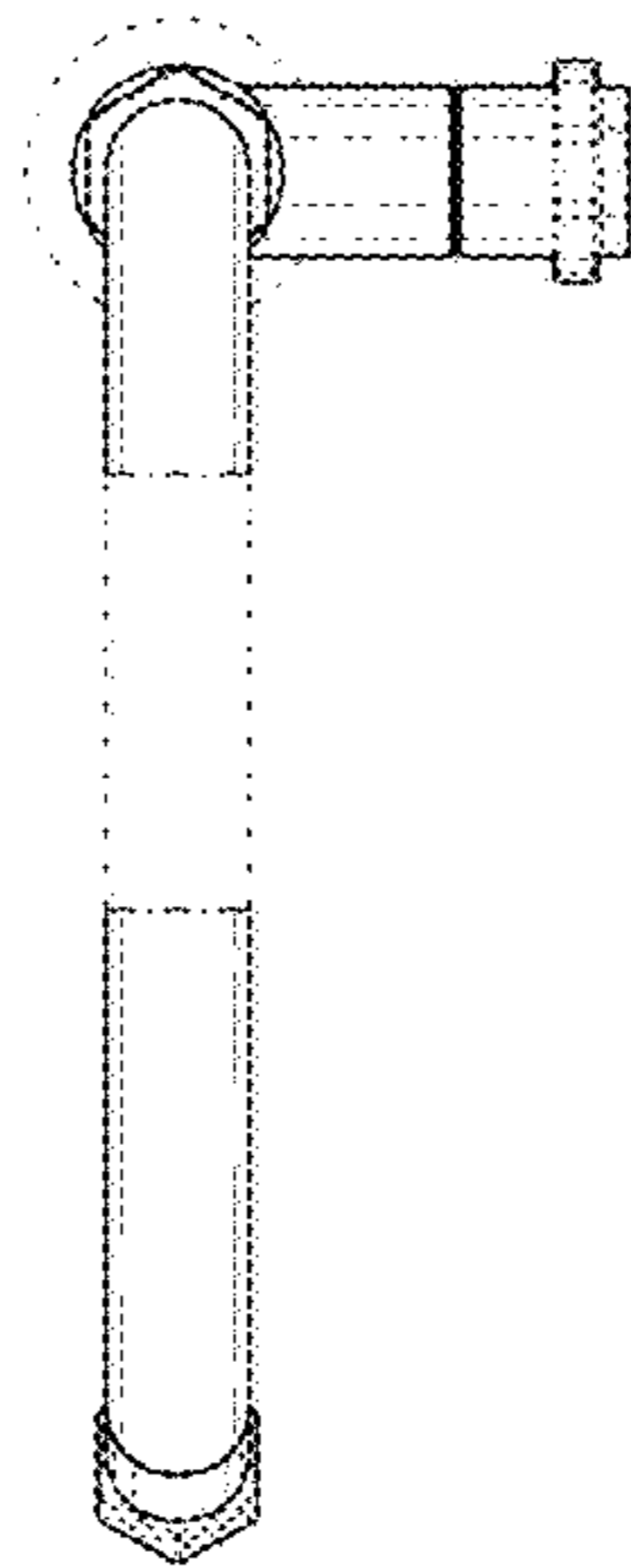


FIG. 2

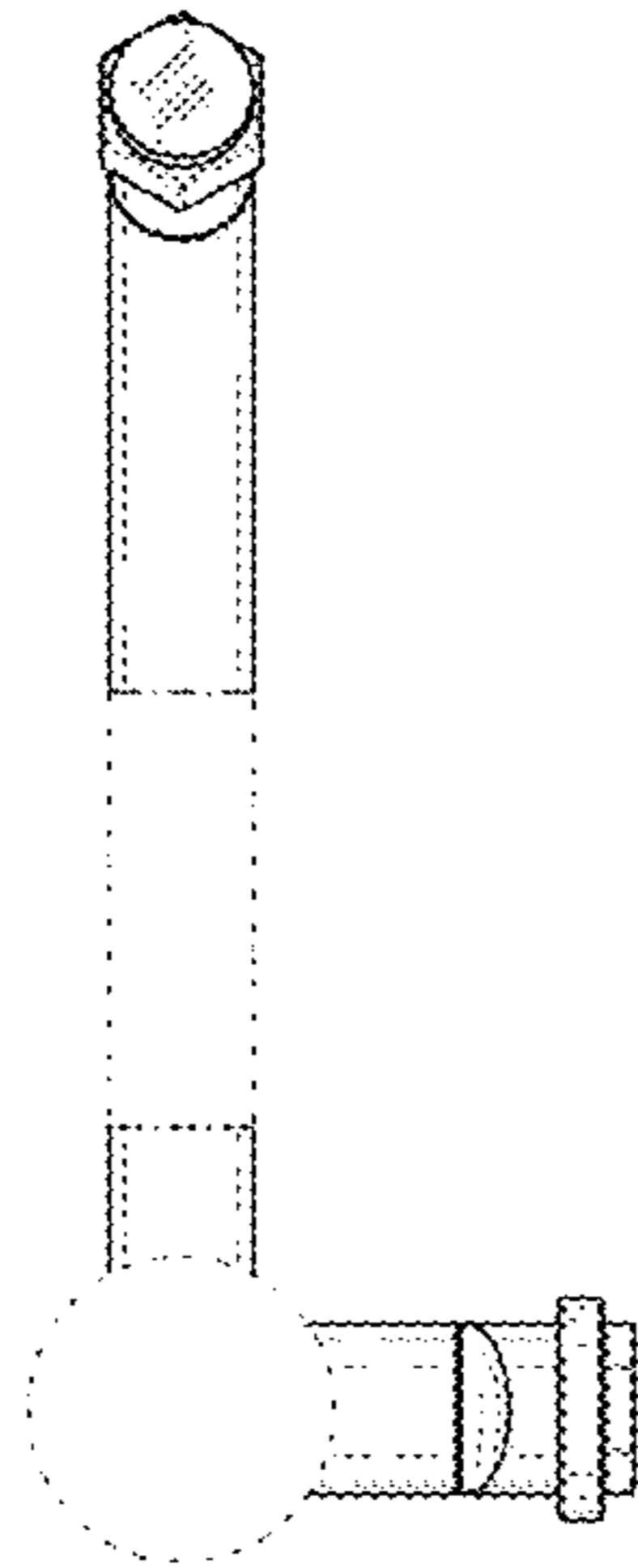


FIG. 3

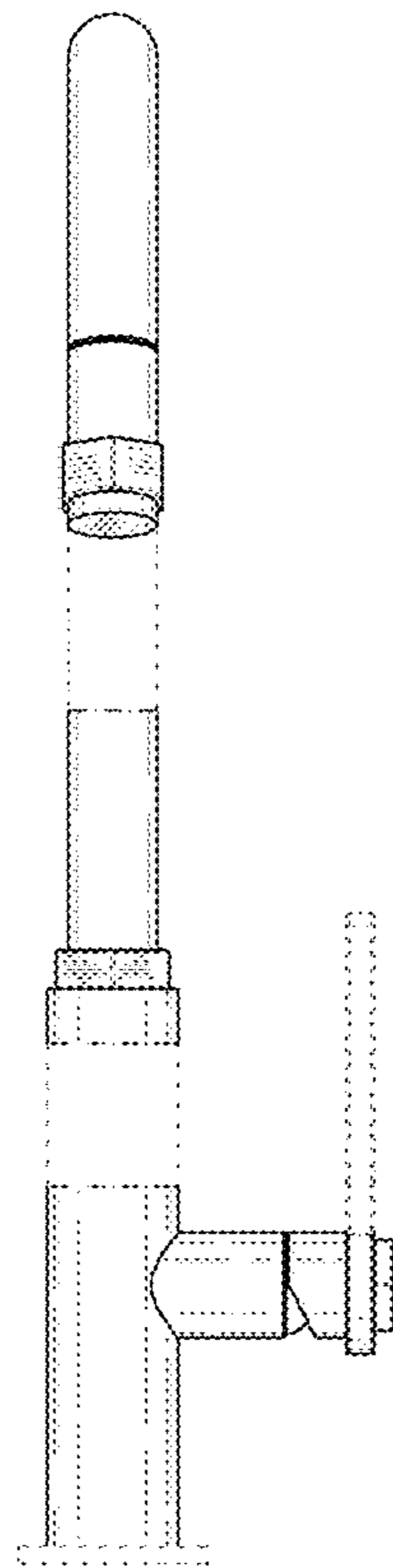


FIG. 4

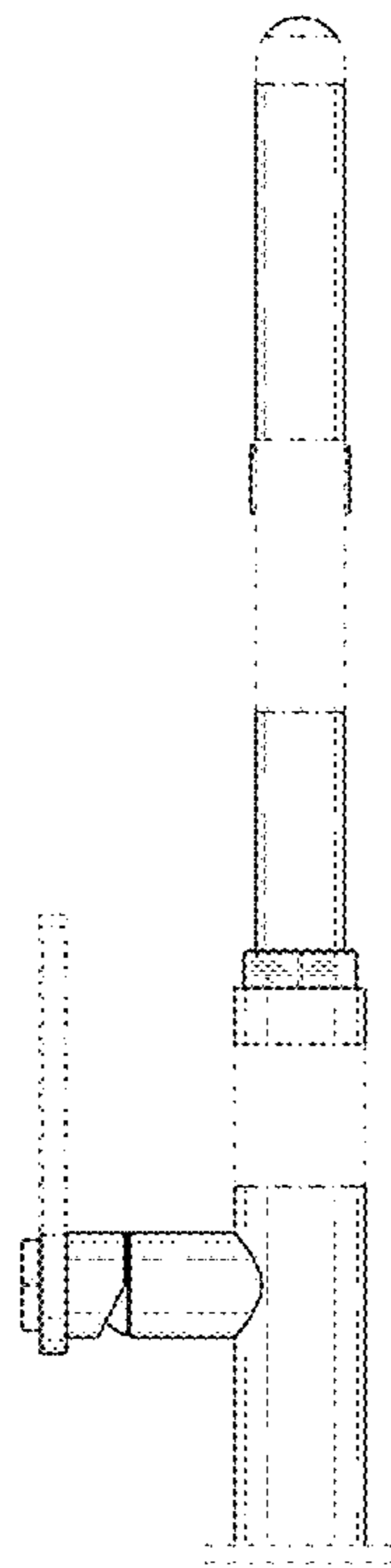


FIG. 5

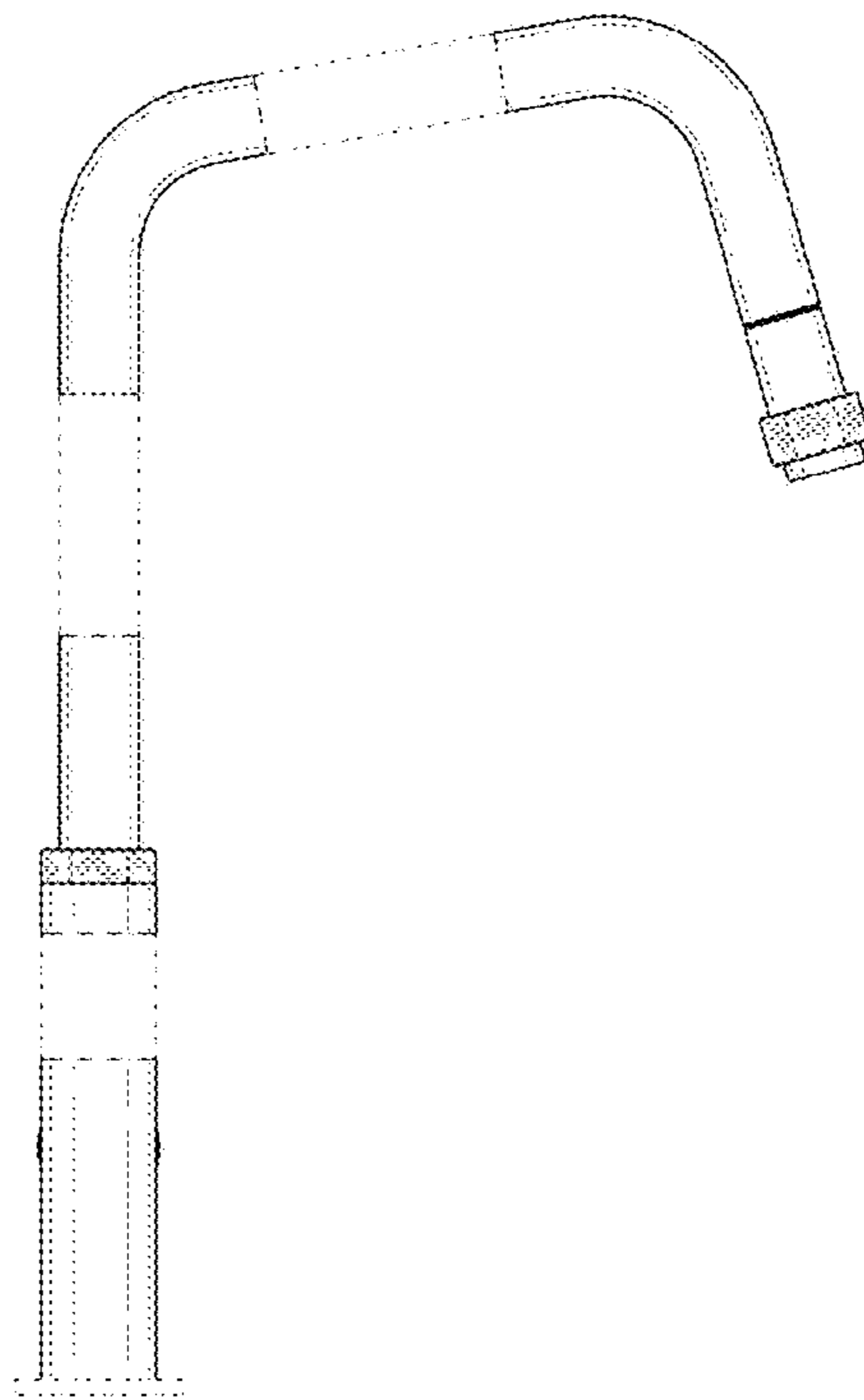


FIG. 6

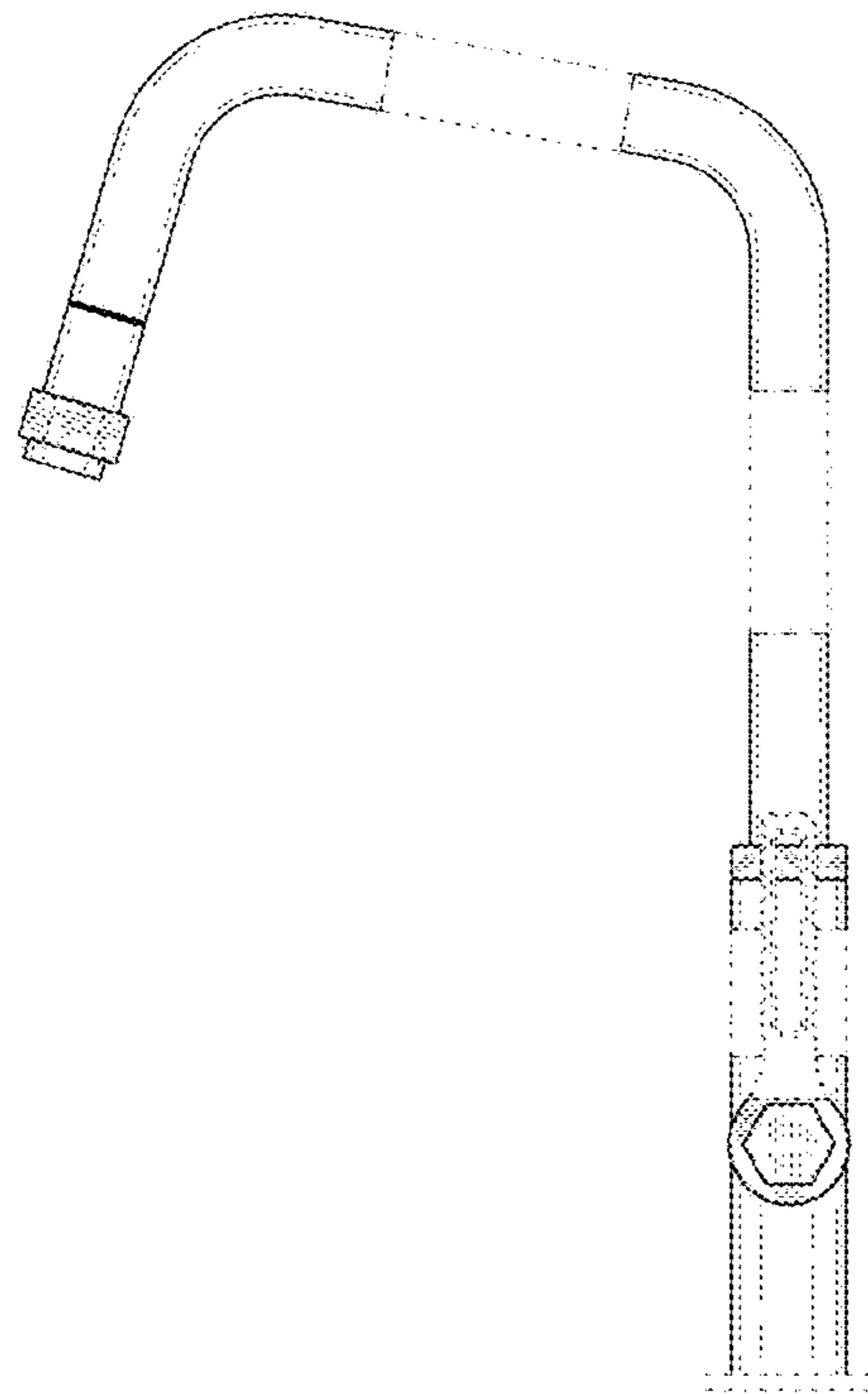


FIG. 7