



US00D856482S

(12) **United States Design Patent** (10) **Patent No.:** **US D856,482 S**
Thiel et al. (45) **Date of Patent:** **** Aug. 13, 2019**

(54) **AIR RELEASE VALVE**
(71) Applicant: **The Gorman-Rupp Company,**
Mansfield, OH (US)
(72) Inventors: **Bryce Thiel,** Lexington, OH (US);
Craig Redmond, Lexington, OH (US)
(73) Assignee: **THE GORMAN-RUPP COMPANY,**
Mansfield, OH (US)
(**) Term: **15 Years**
(21) Appl. No.: **29/608,673**
(22) Filed: **Jun. 23, 2017**
(51) **LOC (12) Cl.** **23-01**
(52) **U.S. Cl.**
USPC **D23/235**
(58) **Field of Classification Search**
USPC D23/233, 235, 237, 244, 249, 248;
137/71, 115.06, 491, 469, 202; 417/395
CPC .. B65D 77/225; B65D 83/70; B65D 2205/00;
B65D 47/32
See application file for complete search history.

D460,526 S * 7/2002 Weingarten D23/244
D479,577 S * 9/2003 Engelbrektsson D23/235
D480,449 S * 10/2003 Kah, Jr. D23/233
D674,467 S * 1/2013 Weingarten D23/233
D682,397 S * 5/2013 Ben-Nun D23/248
D835,240 S * 12/2018 Ben Yaacov D23/248

* cited by examiner

Primary Examiner — Cynthia Ramirez
Assistant Examiner — Gino Colan
(74) *Attorney, Agent, or Firm* — Tarolli, Sundheim,
Covell & Tummino LLP

(57) **CLAIM**

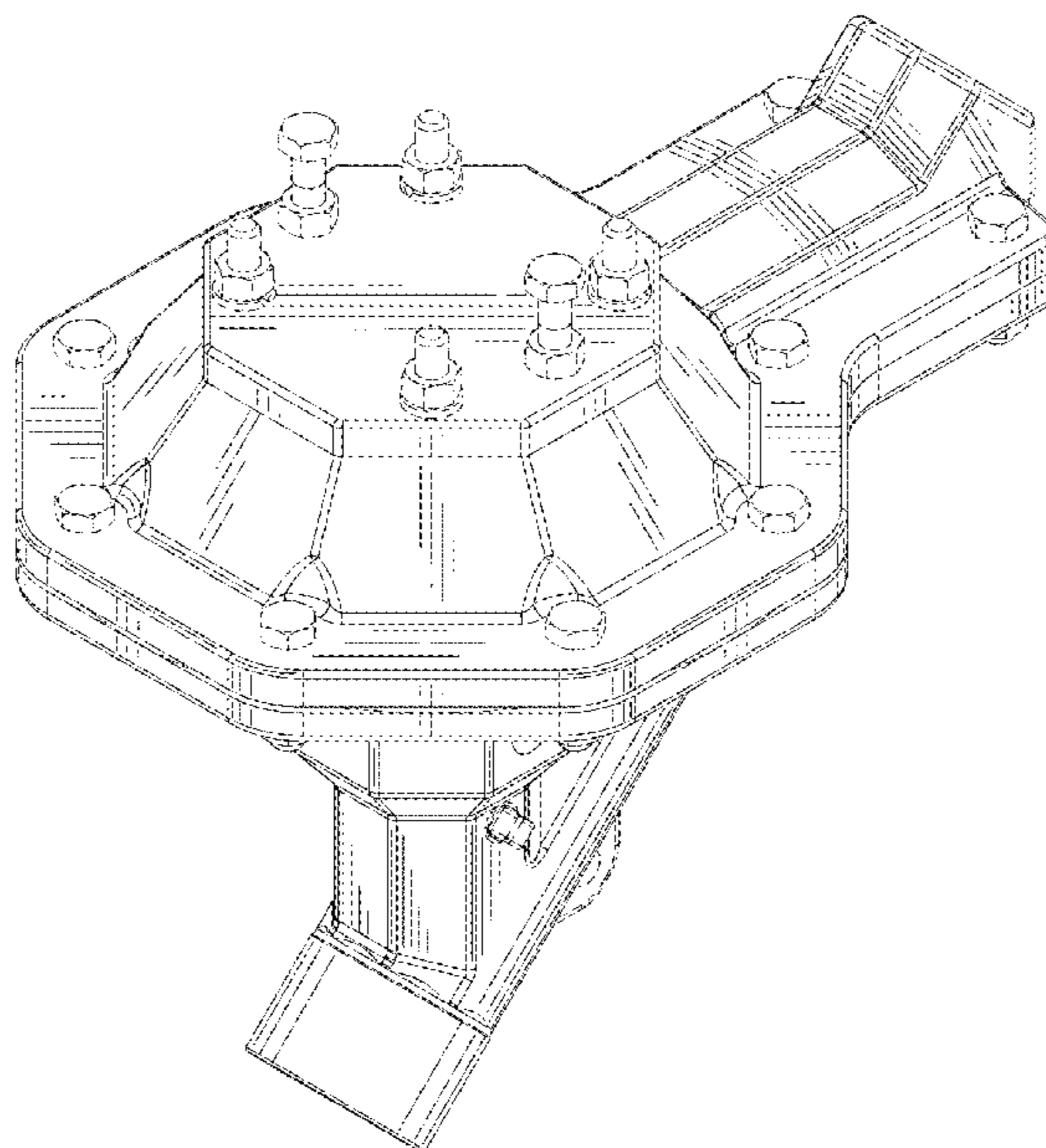
The ornamental design for an air release valve, as shown and described.

DESCRIPTION

FIG. 1 is a perspective view of an air release valve showing our new design;
FIG. 2 is a rear perspective view thereof;
FIG. 3 is a side elevational view of the control valve as seen from the plane indicated by the line 3-3 in FIG. 5;
FIG. 4 is a left side elevational view thereof, as seen from the plane indicated by the line 4-4 in FIG. 5;
FIG. 5 is a front elevational view thereof;
FIG. 6 is a rear elevational view thereof;
FIG. 7 is a top plan view thereof; and,
FIG. 8 is bottom plan view thereof.
The broken lines shown in the figures are for the purposes of illustrating portions of the air release valve and form no part of the claimed design.

1 Claim, 8 Drawing Sheets

(56) **References Cited**
U.S. PATENT DOCUMENTS
D98,061 S * 1/1936 Flodin D23/248
D99,226 S * 4/1936 Vogt D23/248
D213,104 S * 1/1969 Griswold D23/233
4,621,990 A * 11/1986 Forsythe F04B 43/067
417/395
D437,917 S * 2/2001 Weingarten D23/244



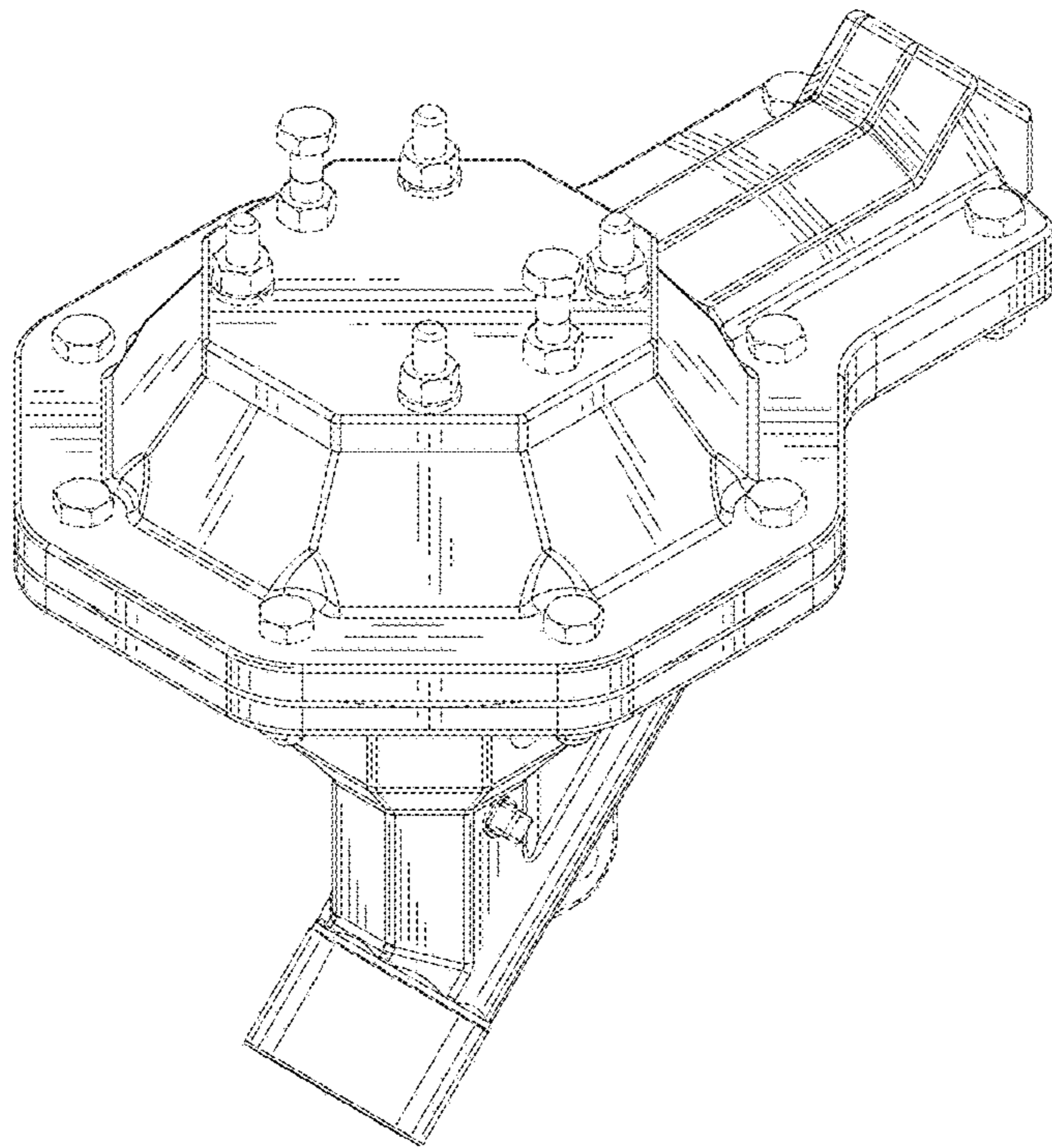


FIG. 1

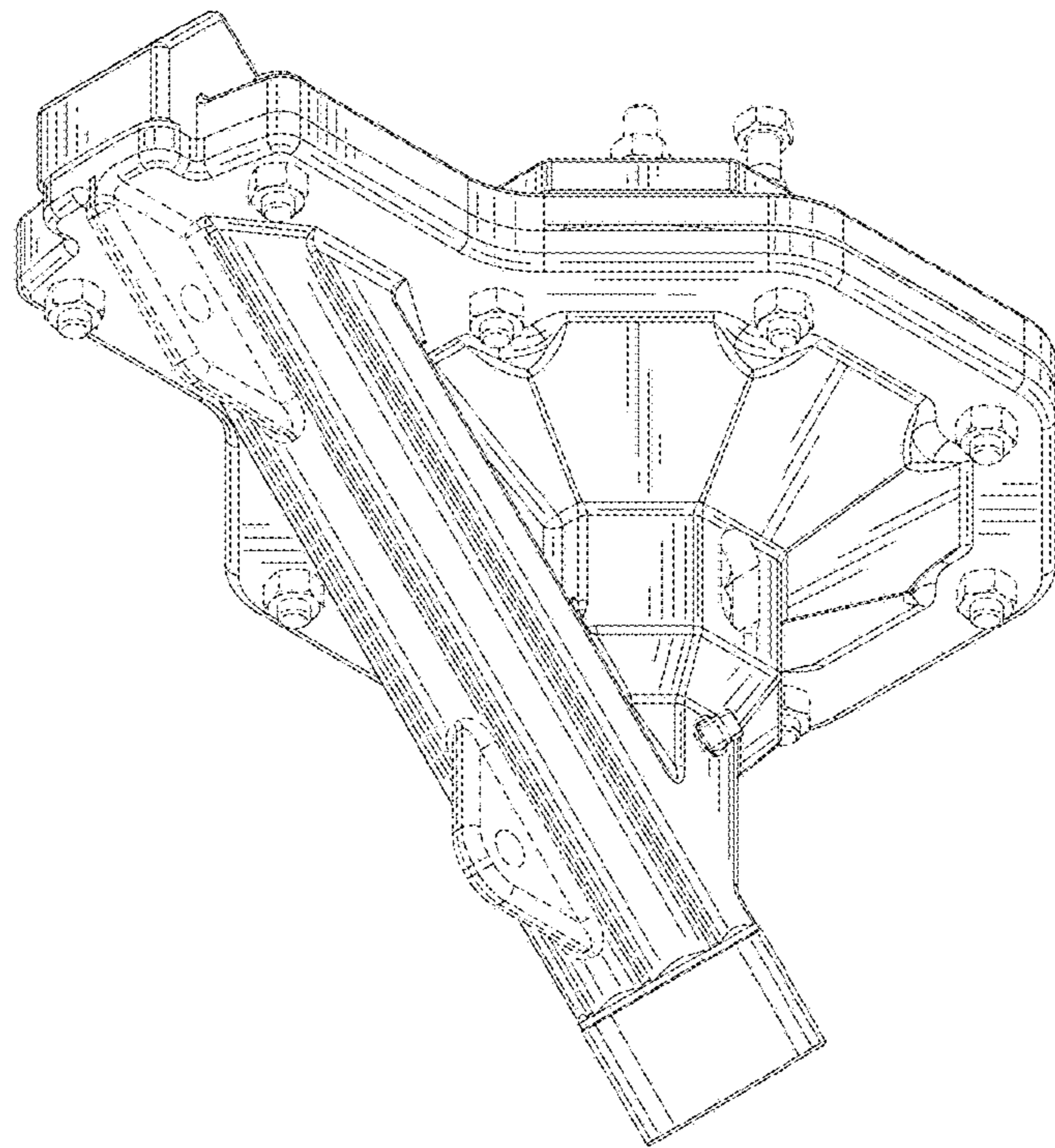


FIG. 2

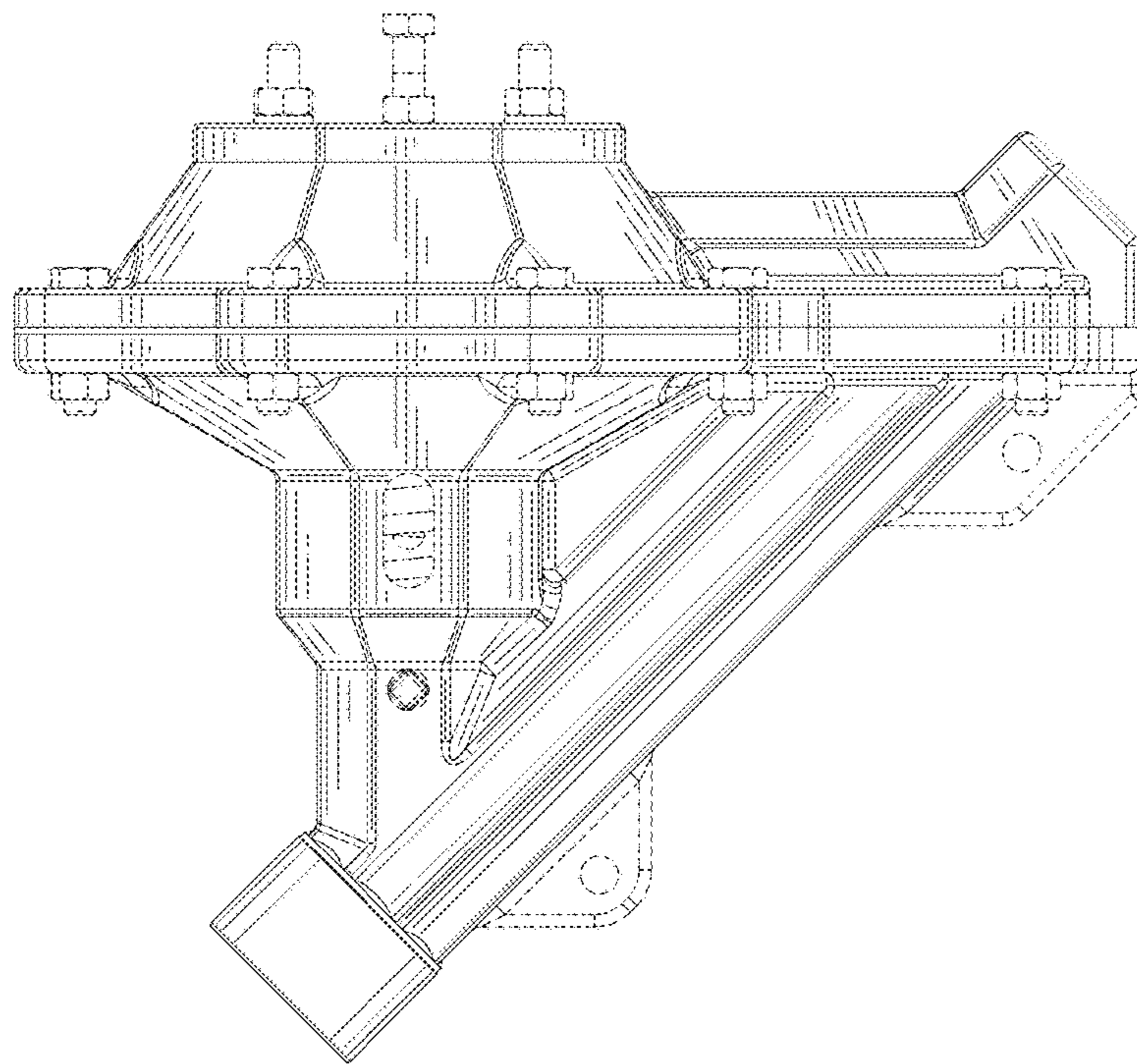


FIG. 3

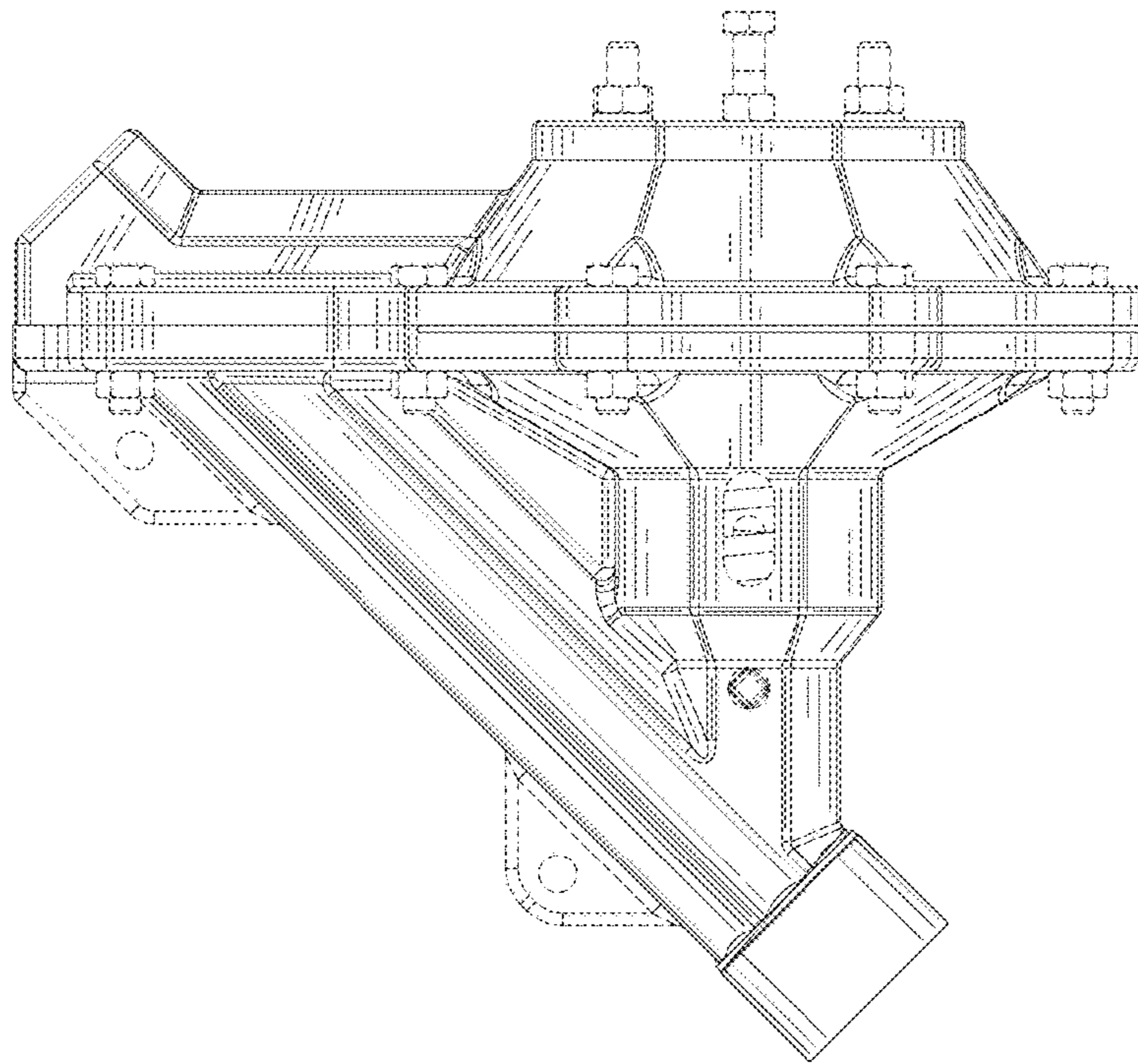


FIG. 4

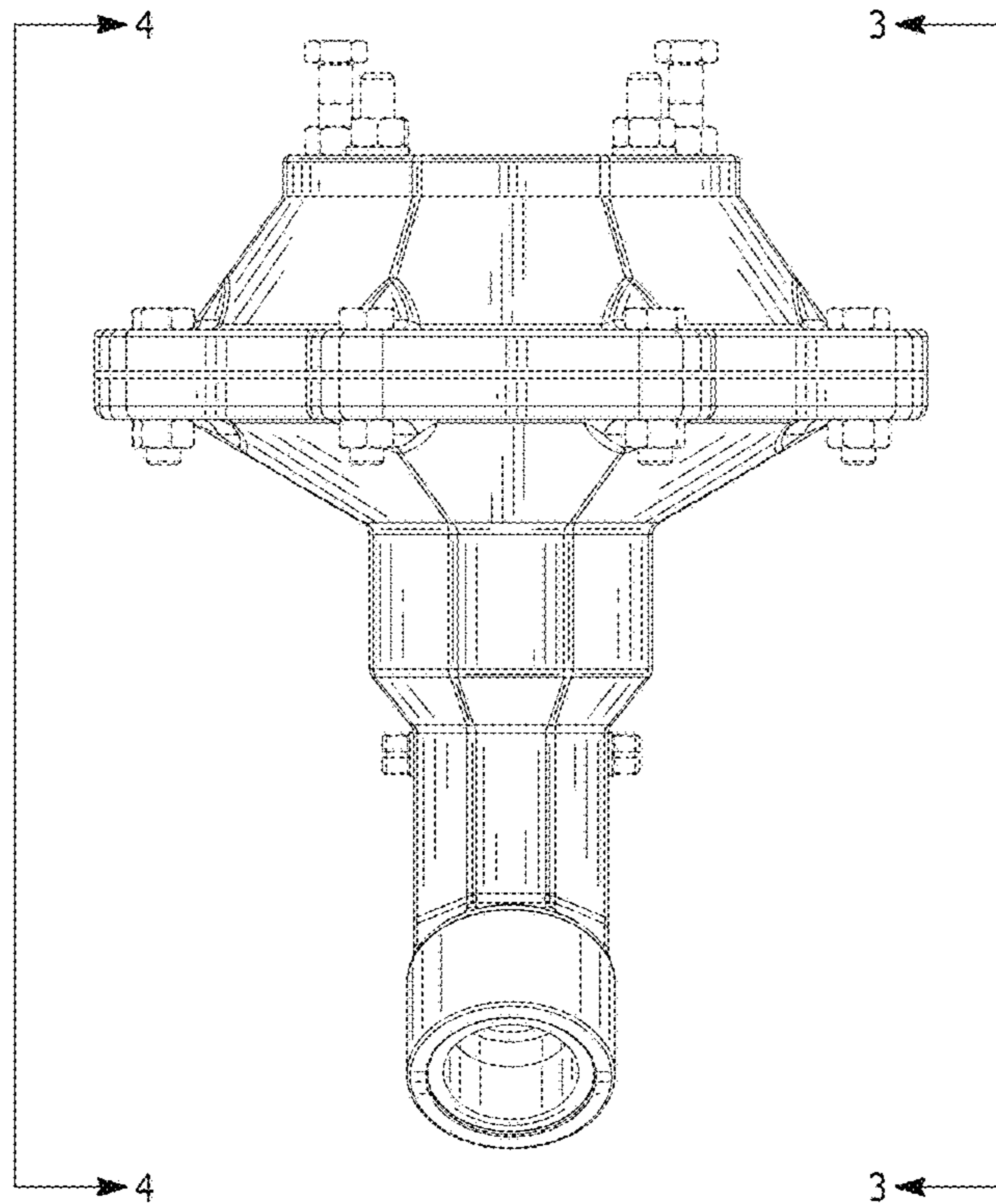


FIG. 5

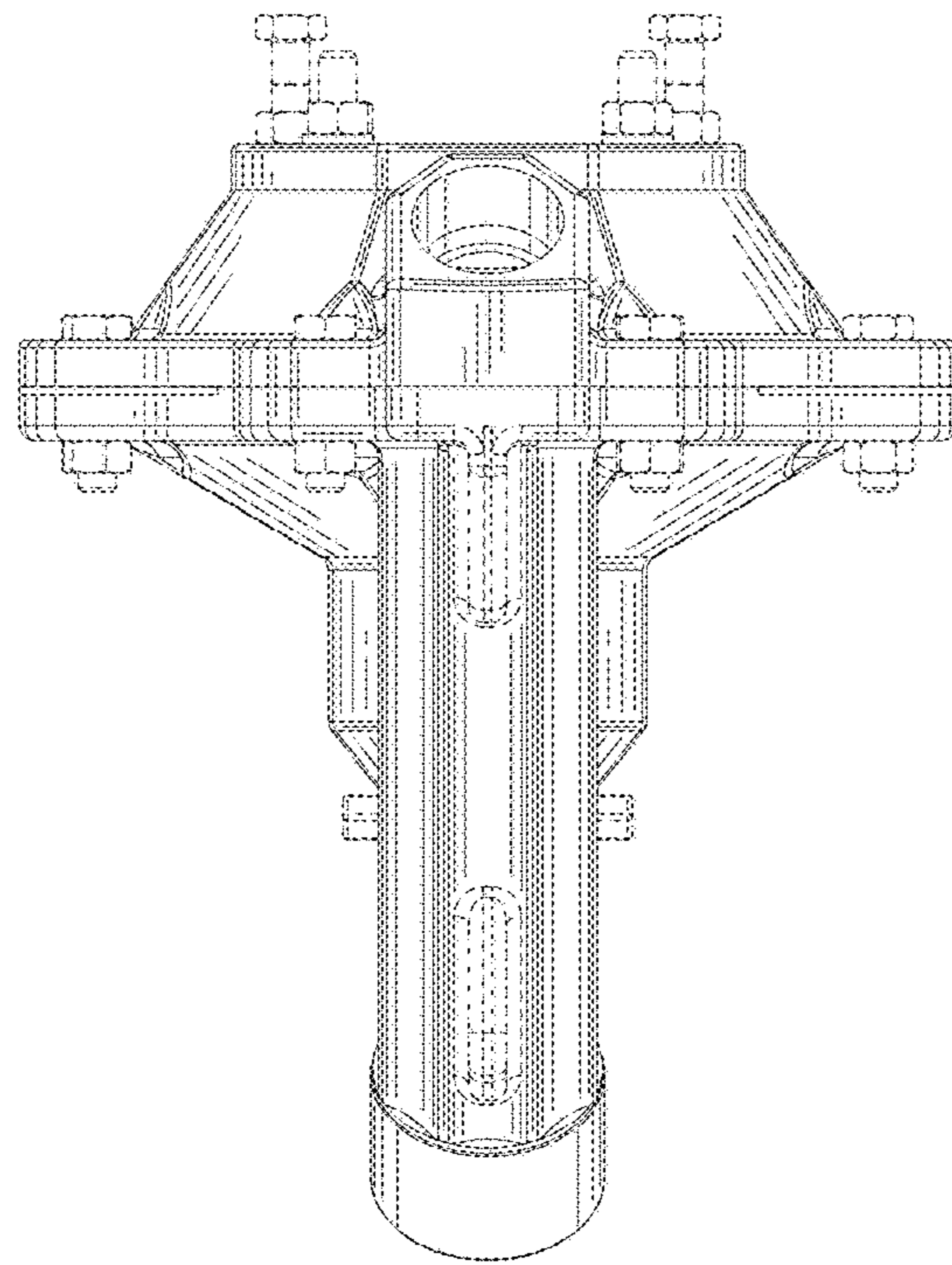


FIG. 6

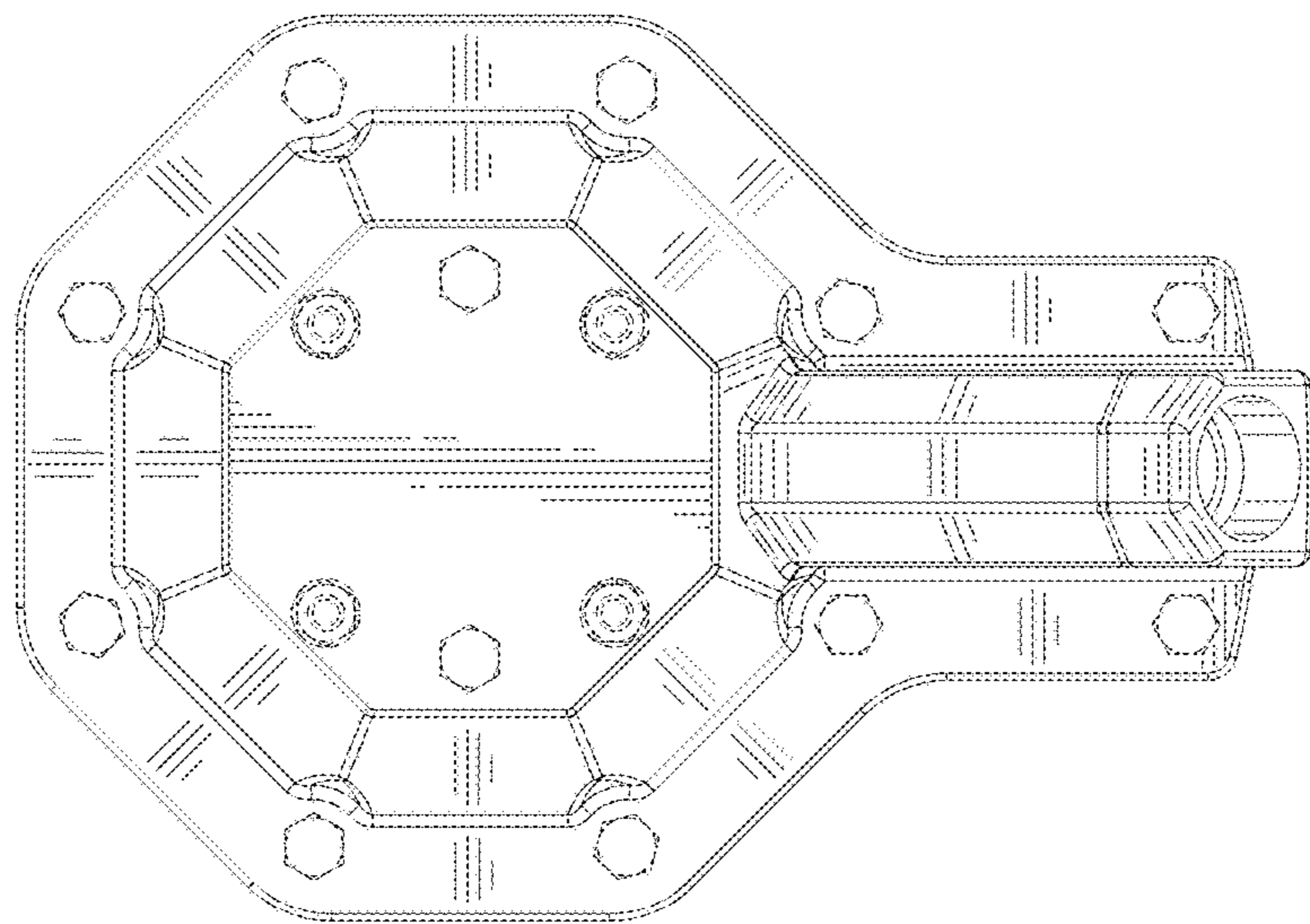


FIG. 7

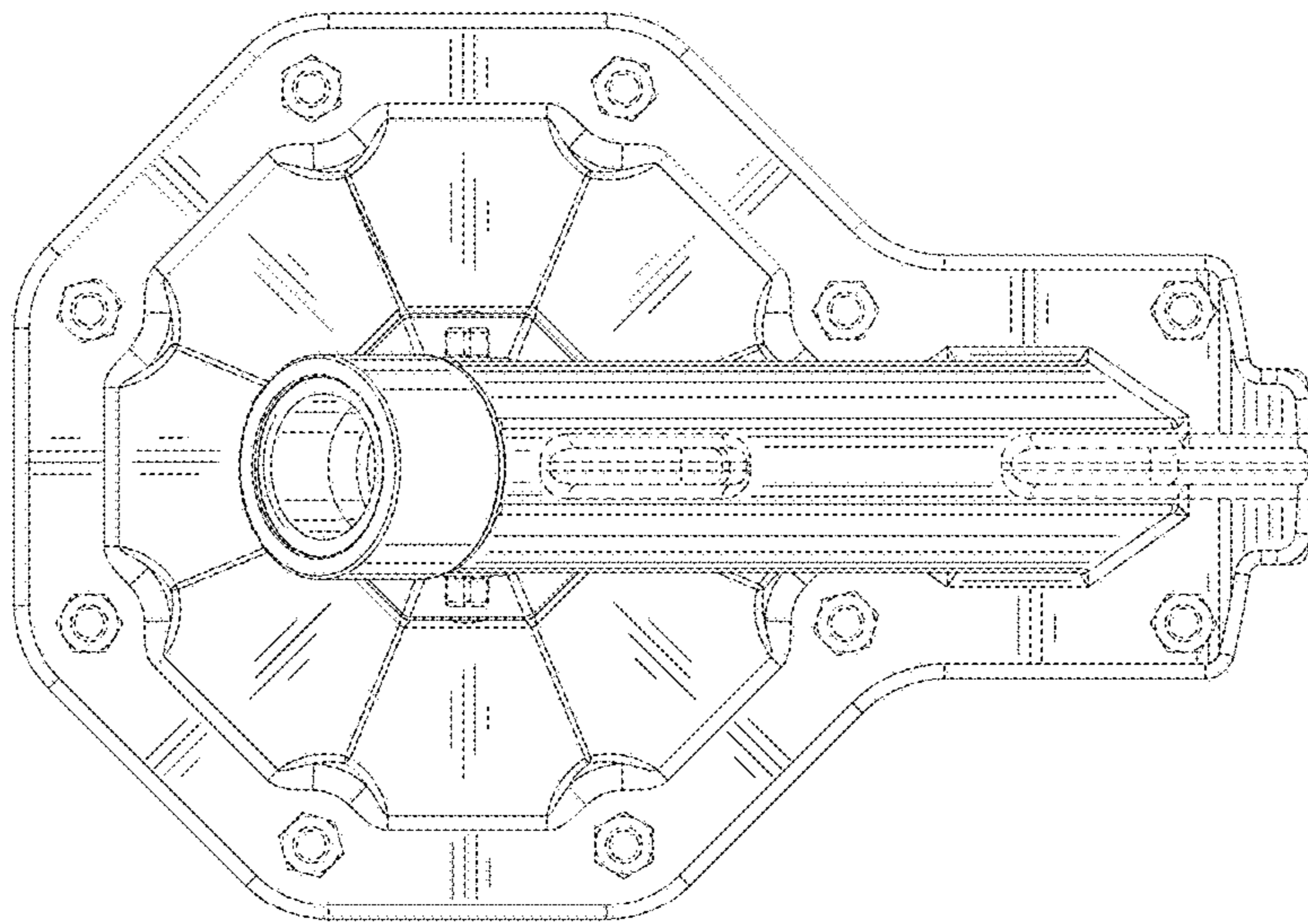


FIG. 8