



US00D856480S

(12) **United States Design Patent** (10) **Patent No.:** **US D856,480 S**  
**Andrews** (45) **Date of Patent:** **\*\* Aug. 13, 2019**

(54) **FLUID CONDUIT**  
(71) Applicant: **Eaton Intelligent Power Limited,**  
Dublin (IE)  
(72) Inventor: **Ian Andrews,** Portsmouth (GB)  
(73) Assignee: **Eaton Intelligent Power Limited,**  
Dublin (IE)  
(\*\*) Term: **15 Years**  
(21) Appl. No.: **29/645,853**  
(22) Filed: **Apr. 30, 2018**  
(51) **LOC (12) Cl.** ..... **23-01**  
(52) **U.S. Cl.**  
USPC ..... **D23/233; D23/213**  
(58) **Field of Classification Search**  
USPC ..... D23/206, 207, 209, 213, 225, 231, 232,  
D23/233  
CPC ..... A61L 2/10; B01D 35/30; B01D 19/0031;  
C02F 1/003; C02F 1/283; F16K 31/0675;  
F16K 27/029; F16K 27/048  
See application file for complete search history.

D753,795 S \* 4/2016 Rahms ..... D23/233  
D755,347 S \* 5/2016 Jenne ..... D23/233  
D755,928 S \* 5/2016 Jenne ..... D23/233  
D796,001 S \* 8/2017 Carroll ..... D23/213  
D813,351 S \* 3/2018 Harck ..... D23/233

**OTHER PUBLICATIONS**

Jet Pump—Fuel Scavenge—Part No. 38-0001; Eaton Power Busi-  
ness Worldwide; 2 pages.  
Jet Pump—Fuel Transfer—Part No. 38-0013; Eaton Power Busi-  
ness Worldwide; 2 pages.  
Aerospace Capabilities—Flying Safely and Efficiently with Eaton;  
Eaton Powering Business Worldwide; 20 pages.

\* cited by examiner

*Primary Examiner* — Robin V Webster  
*Assistant Examiner* — Keith J Wilson  
(74) *Attorney, Agent, or Firm* — Fishman Stewart PLLC

(57) **CLAIM**

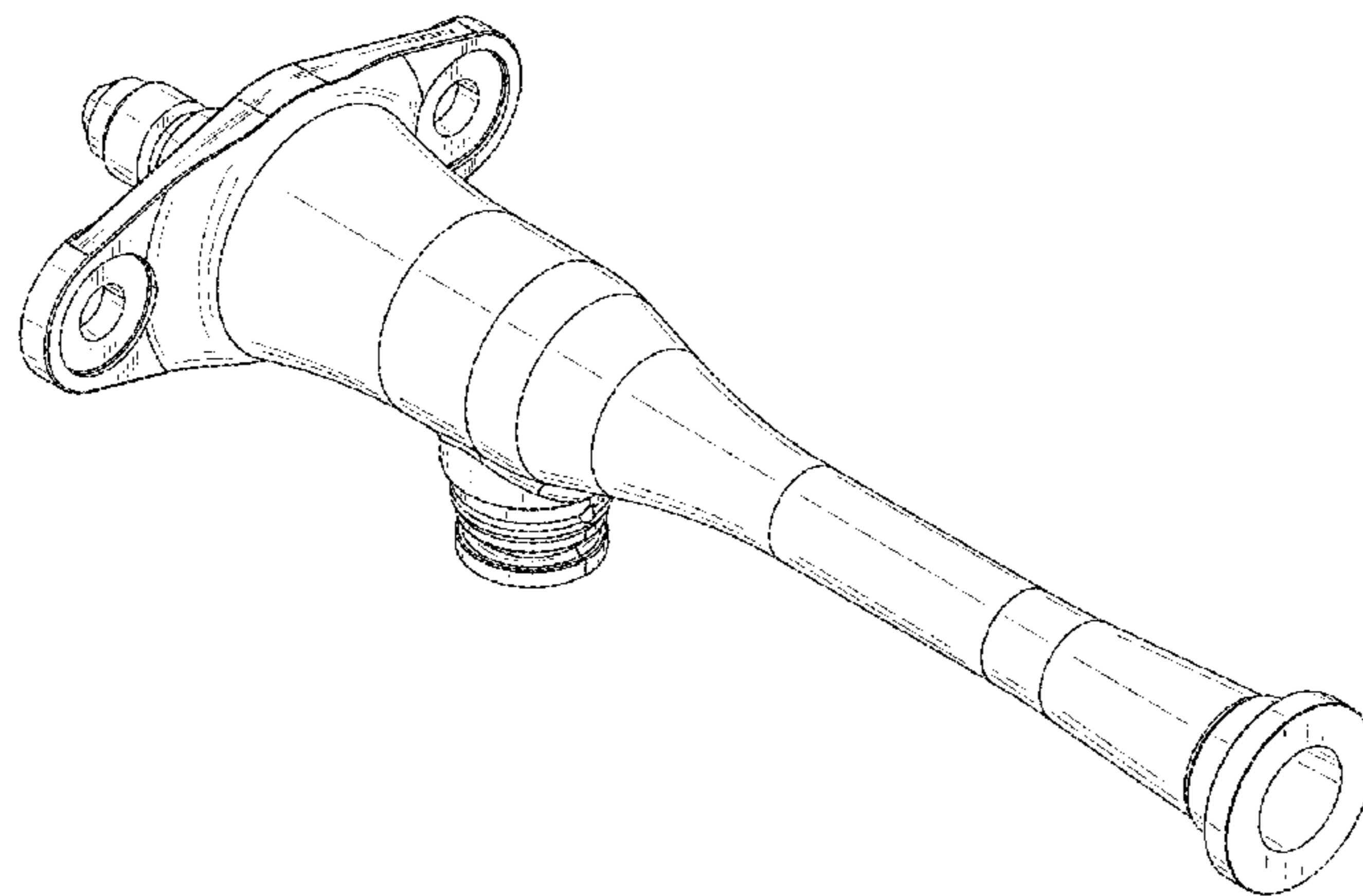
The ornamental design for a fluid conduit, as shown and  
described.

**DESCRIPTION**

FIG. 1 is a front, top, left side perspective view of a fluid  
conduit;  
FIG. 2 is a rear, top, right side perspective view thereof  
FIG. 3 is a front elevational view thereof;  
FIG. 4 is a rear elevational view thereof;  
FIG. 5 is a left side view thereof;  
FIG. 6 is a right side view thereof;  
FIG. 7 is a top plan view thereof; and,  
FIG. 8 is a bottom plan view thereof.

**1 Claim, 8 Drawing Sheets**

(56) **References Cited**  
U.S. PATENT DOCUMENTS  
6,158,195 A \* 12/2000 Andersson ..... B65B 3/326  
141/100  
D459,785 S \* 7/2002 Chih ..... D23/213  
D540,908 S \* 4/2007 Py ..... D23/213  
D667,530 S \* 9/2012 Wyne ..... D23/213  
D670,356 S \* 11/2012 Sanwald ..... D23/213  
D699,320 S \* 2/2014 Wyne ..... D23/213  
D705,395 S \* 5/2014 Hoff ..... D23/233



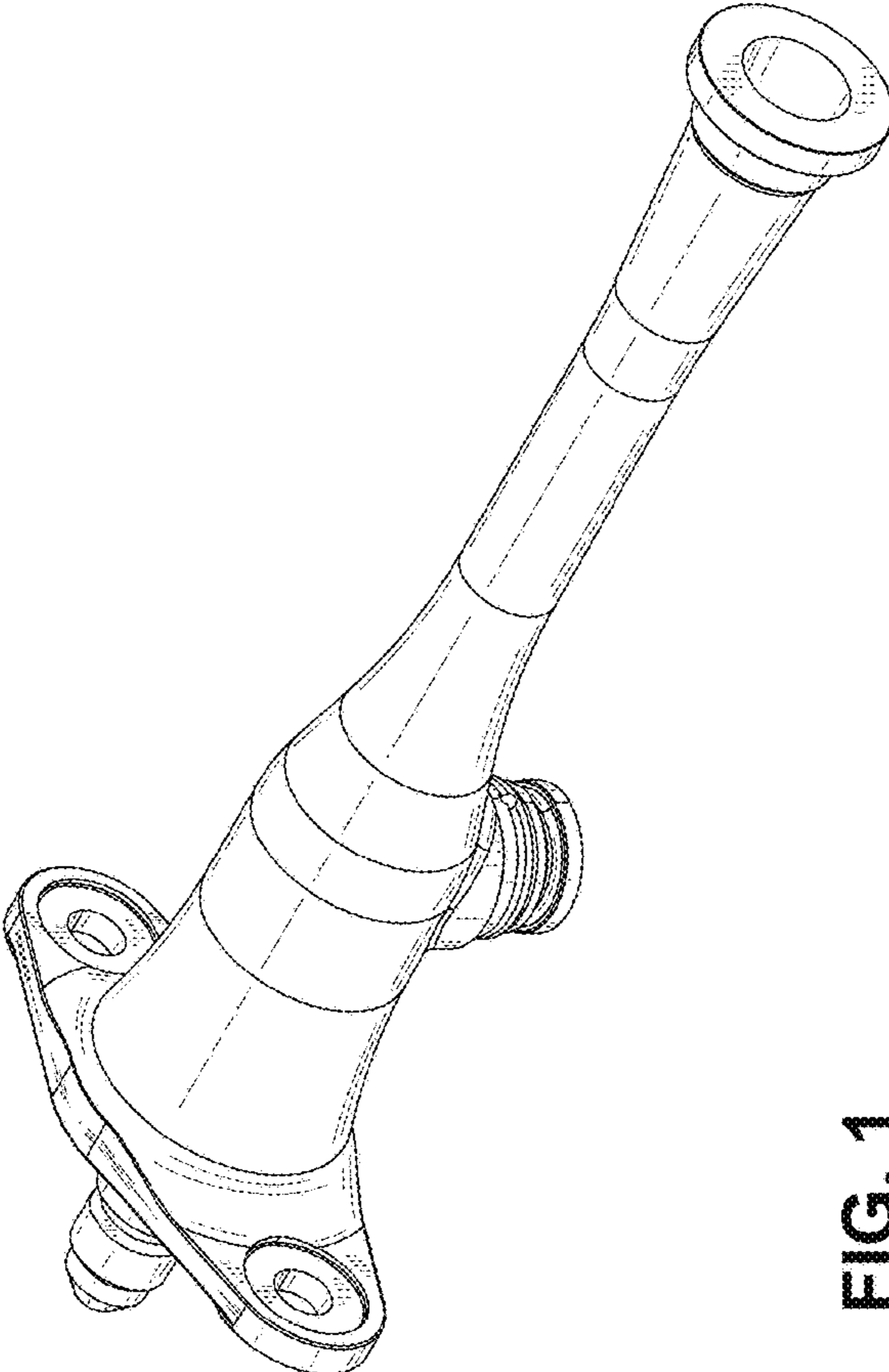


FIG. 1

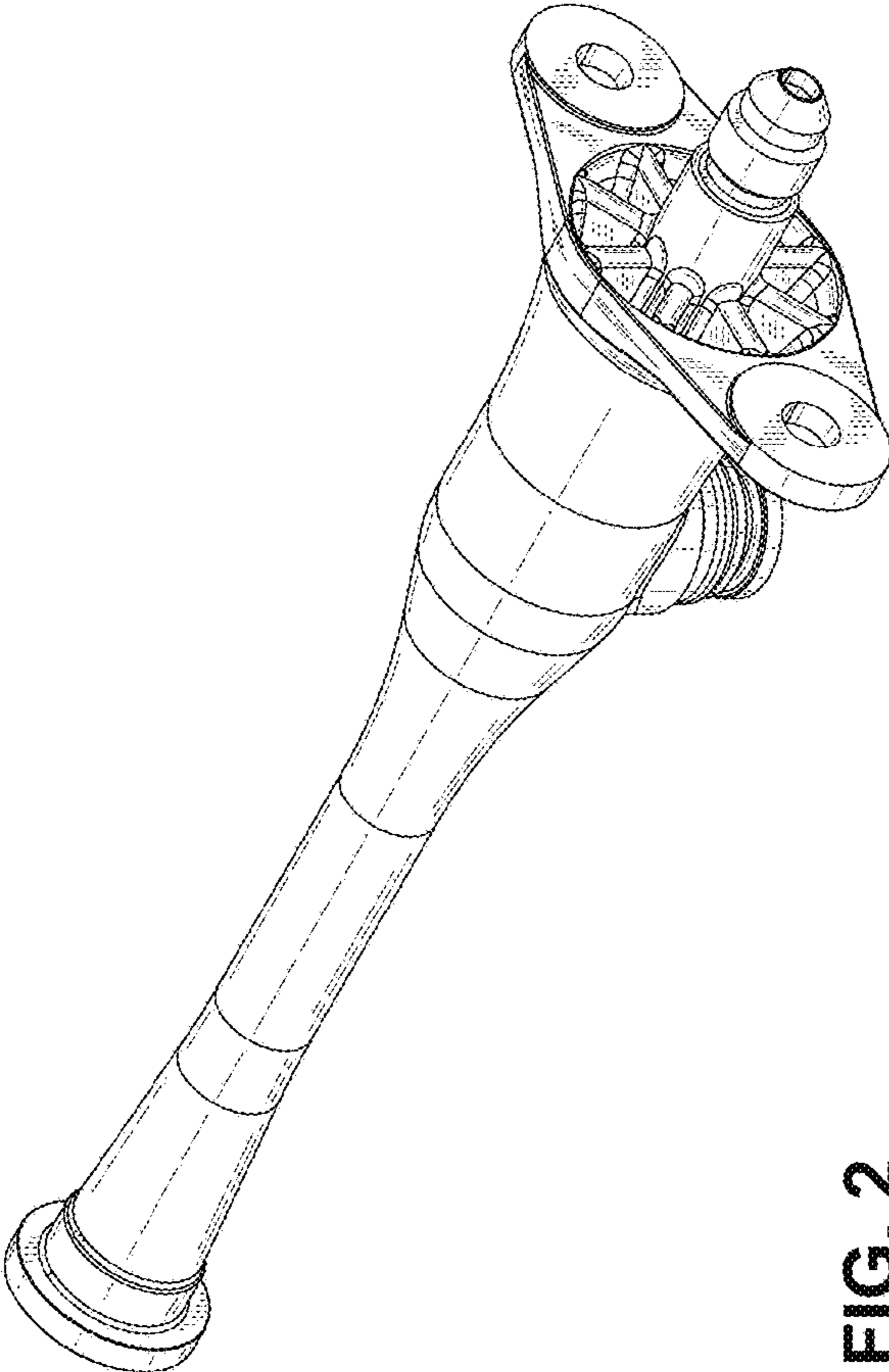


FIG. 2

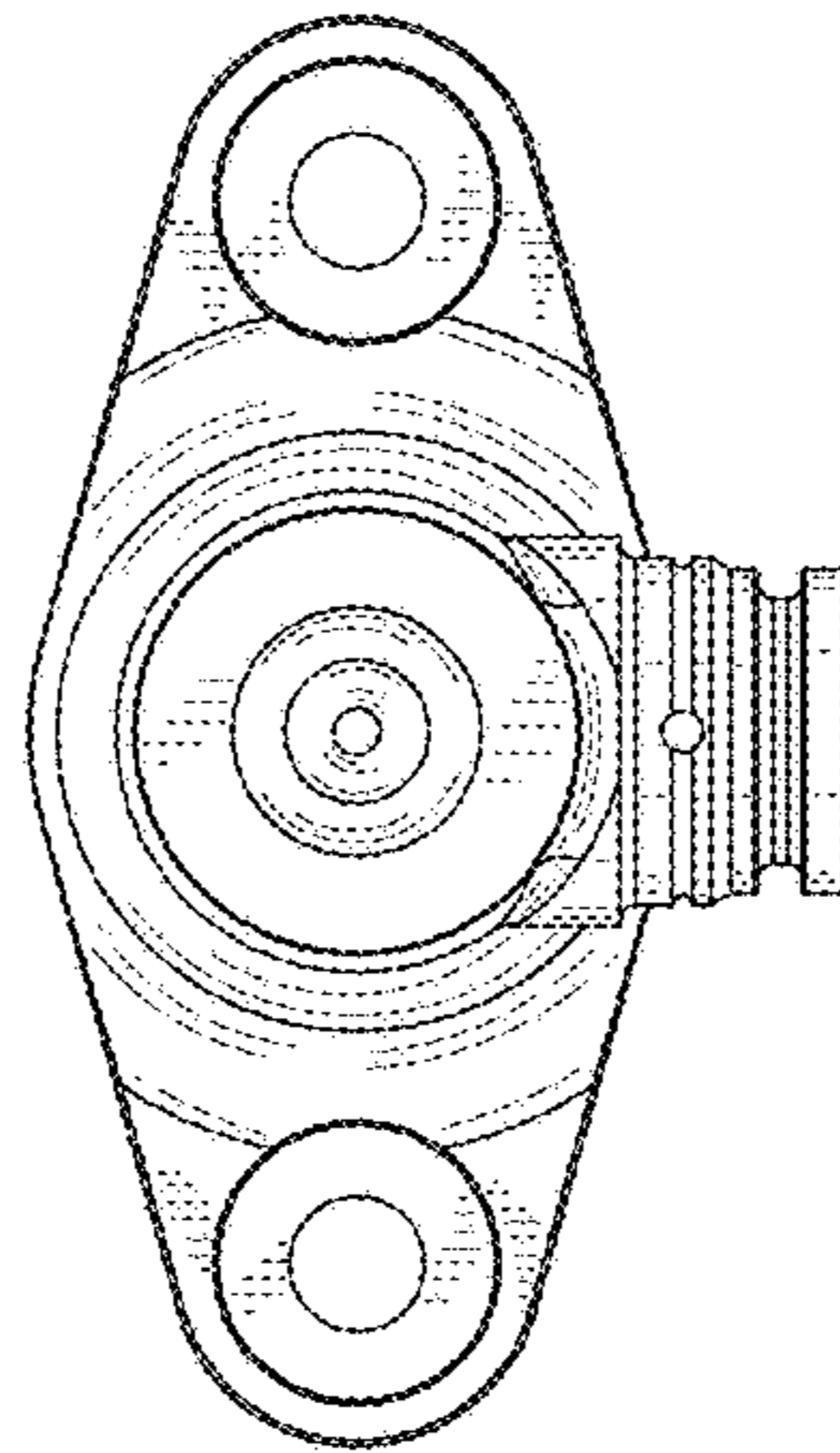


FIG. 3

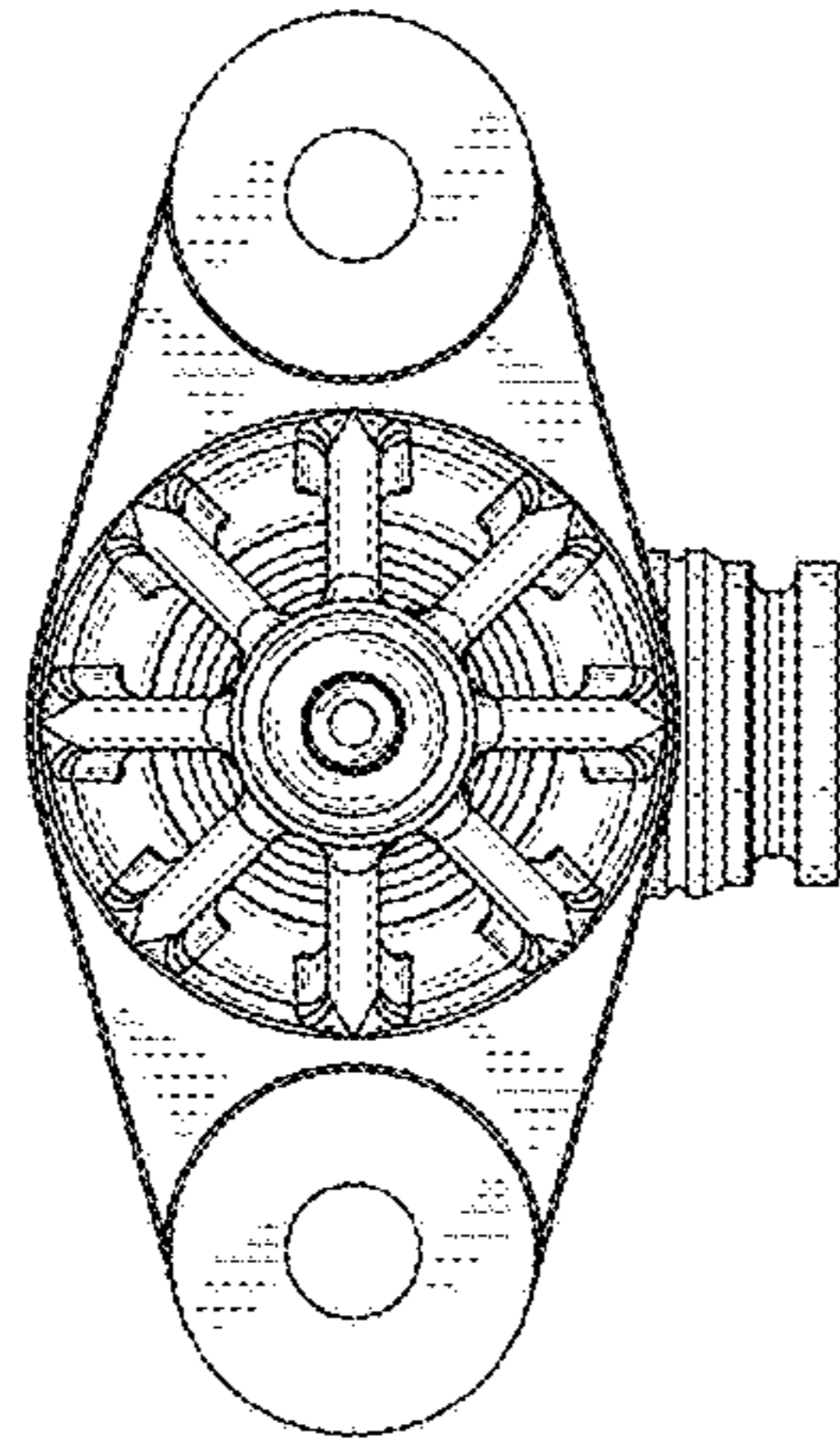


FIG. 4

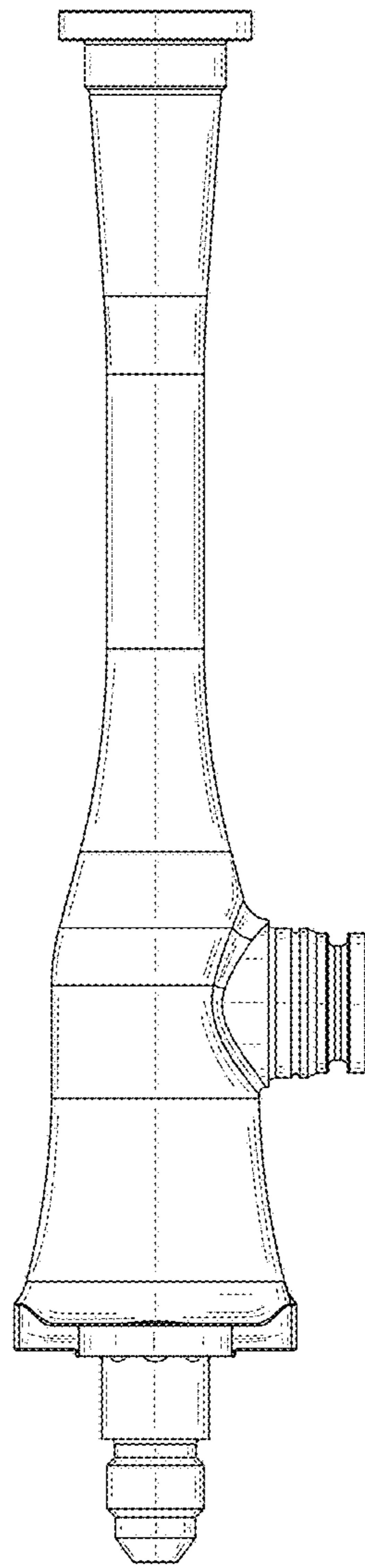


FIG. 5

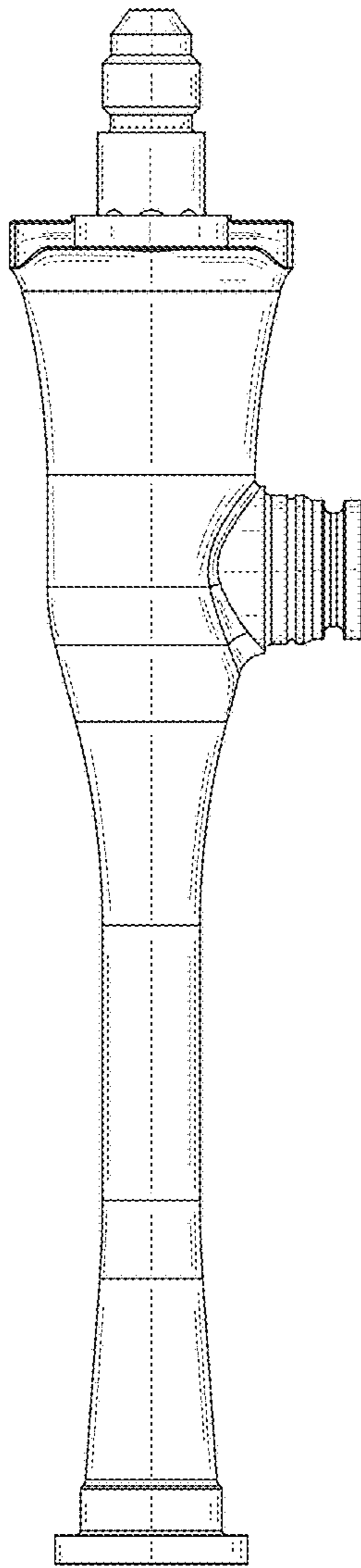


FIG. 6

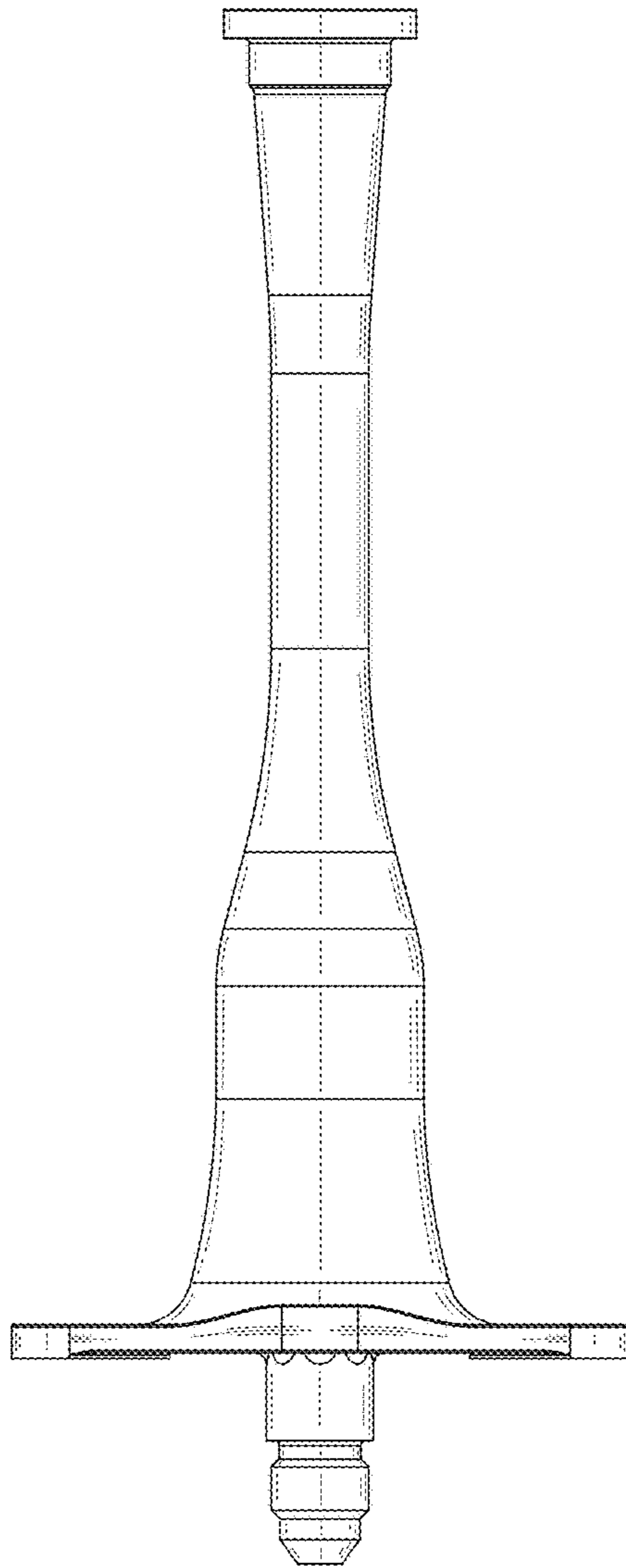


FIG. 7



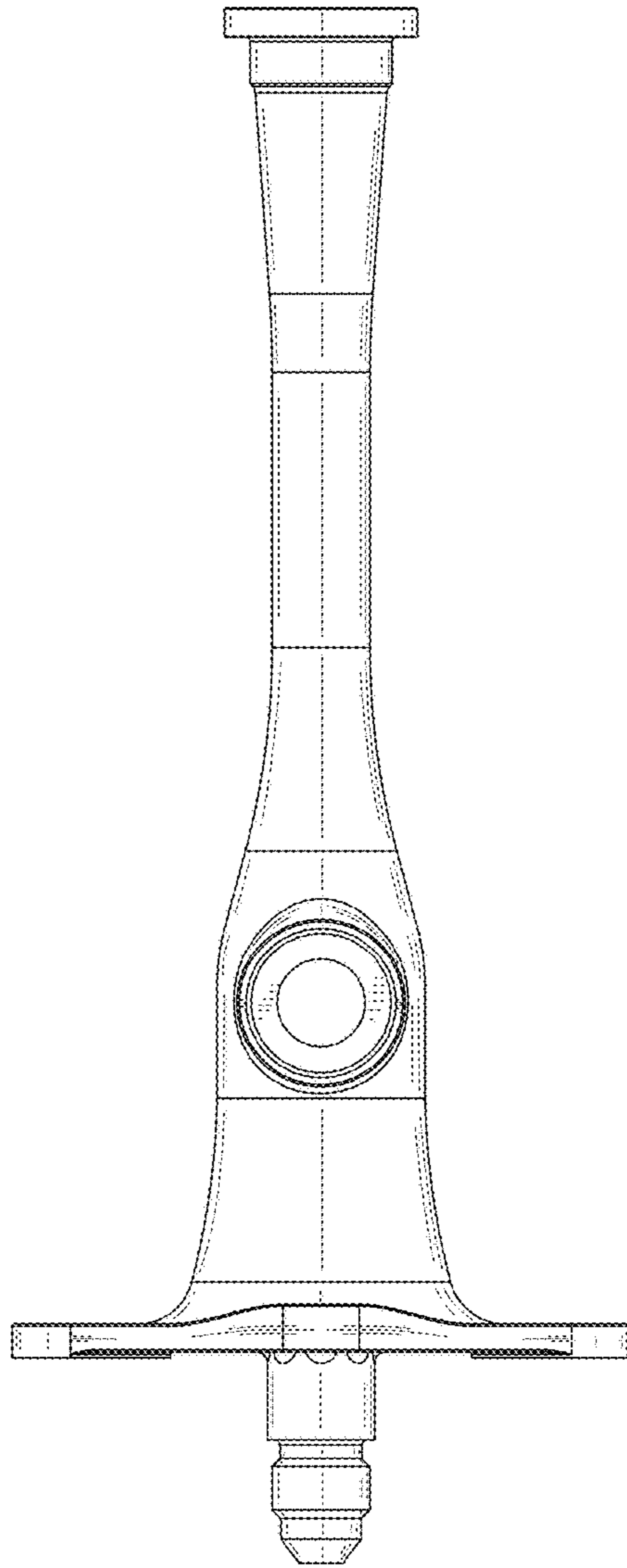


FIG. 8