



US00D856479S

(12) **United States Design Patent** (10) **Patent No.:** **US D856,479 S**
Andrews (45) **Date of Patent:** **** Aug. 13, 2019**

- (54) **FLUID CONDUIT**
- (71) Applicant: **Eaton Intelligent Power Limited,**
Dublin 4 (IE)
- (72) Inventor: **Ian Andrews,** Portsmouth (GB)
- (73) Assignee: **Eaton Intelligent Power Limited,**
Dublin 4 (IE)
- (**) Term: **15 Years**
- (21) Appl. No.: **29/645,841**
- (22) Filed: **Apr. 30, 2018**
- (51) **LOC (12) Cl.** **23-01**
- (52) **U.S. Cl.**
USPC **D23/233; D21/213**
- (58) **Field of Classification Search**
USPC D23/206, 207, 209, 213, 225, 231, 232,
D23/233
CPC A61L 2/10; B01D 35/30; B01D 19/0031;
C02F 1/003; C02F 1/283; F16K 31/0675;
F16K 27/029; F16K 27/048
See application file for complete search history.

D753,795 S *	4/2016	Rahms	D23/233
D755,347 S *	5/2016	Jenne	D23/233
D755,928 S *	5/2016	Jenne	D23/233
D796,001 S *	8/2017	Carroll	D23/213
D813,351 S *	3/2018	Harck	D23/233

OTHER PUBLICATIONS

Jet Pump—Fuel Scavenge—Part No. 38-0001; Eaton Power Business Worldwide; 2 pages.
 Jet Pump—Fuel Transfer—Part No. 38-0013; Eaton Power Business Worldwide; 2 pages.
 Aerospace Capabilities—Flying Safely and Efficiently with Eaton; Eaton Powering Business Worldwide; 20 pages.

* cited by examiner

Primary Examiner — Robin V Webster
Assistant Examiner — Keith J Wilson
 (74) *Attorney, Agent, or Firm* — Fishman Stewart PLLC

(57) **CLAIM**

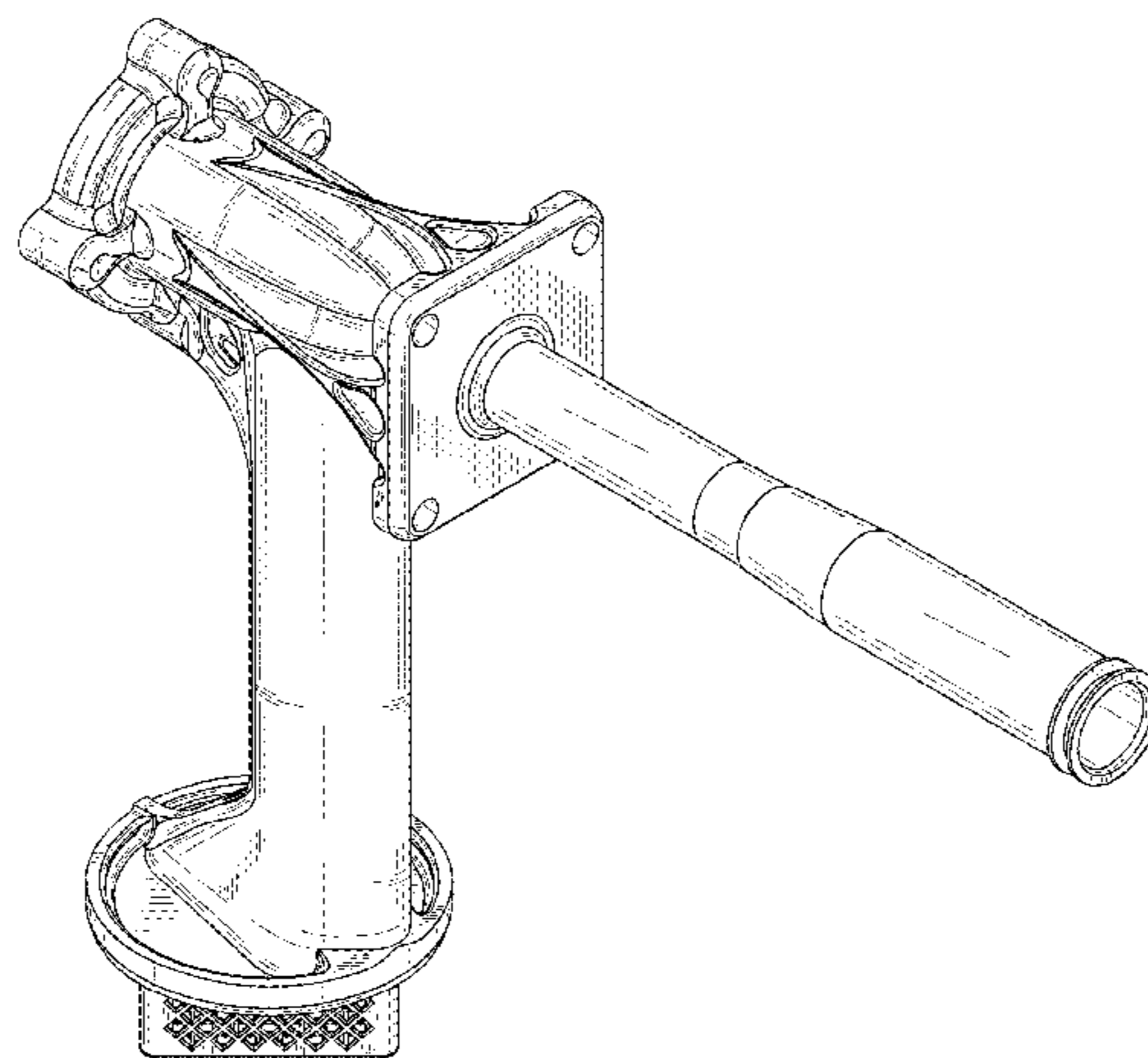
The ornamental design for a fluid conduit, as shown and described.

DESCRIPTION

FIG. 1 is a front, top, left side perspective view of a fluid conduit;
 FIG. 2 is a rear, top, right side perspective view thereof
 FIG. 3 is a front elevational view thereof;
 FIG. 4 is a rear elevational view thereof;
 FIG. 5 is a left side view thereof;
 FIG. 6 is a right side view thereof;
 FIG. 7 is a top plan view thereof; and,
 FIG. 8 is a bottom plan view thereof.

1 Claim, 6 Drawing Sheets

- (56) **References Cited**
U.S. PATENT DOCUMENTS
- | | | | | |
|---------------|---------|-----------|-------|------------|
| 6,158,195 A * | 12/2000 | Andersson | | B65B 3/326 |
| | | | | 141/100 |
| D459,785 S * | 7/2002 | Chih | | D23/213 |
| D540,908 S * | 4/2007 | Py | | D23/213 |
| D667,530 S * | 9/2012 | Wyne | | D23/213 |
| D670,356 S * | 11/2012 | Sanwald | | D23/213 |
| D699,320 S * | 2/2014 | Wyne | | D23/213 |
| D705,395 S * | 5/2014 | Hoff | | D23/233 |



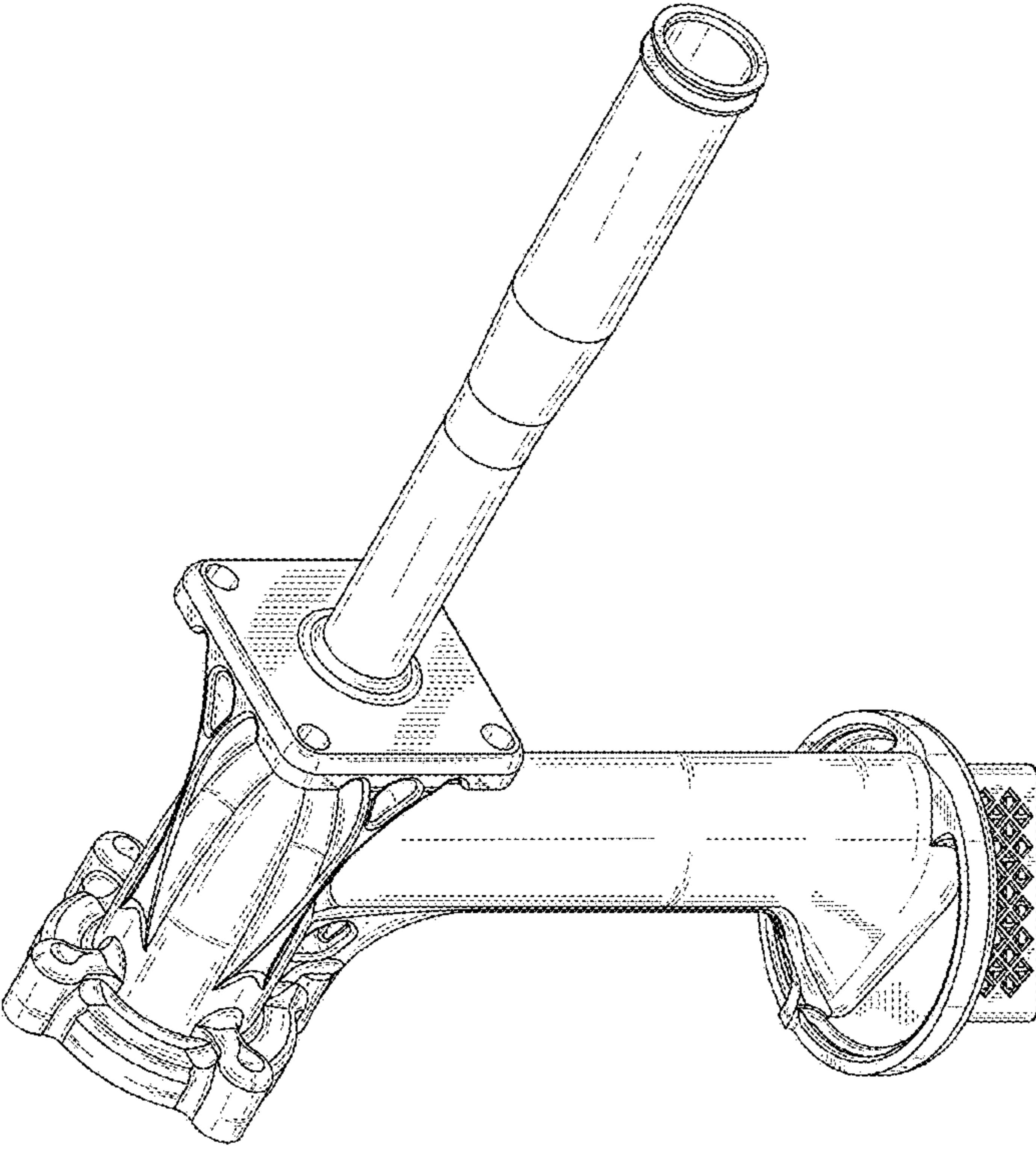


FIG. 1

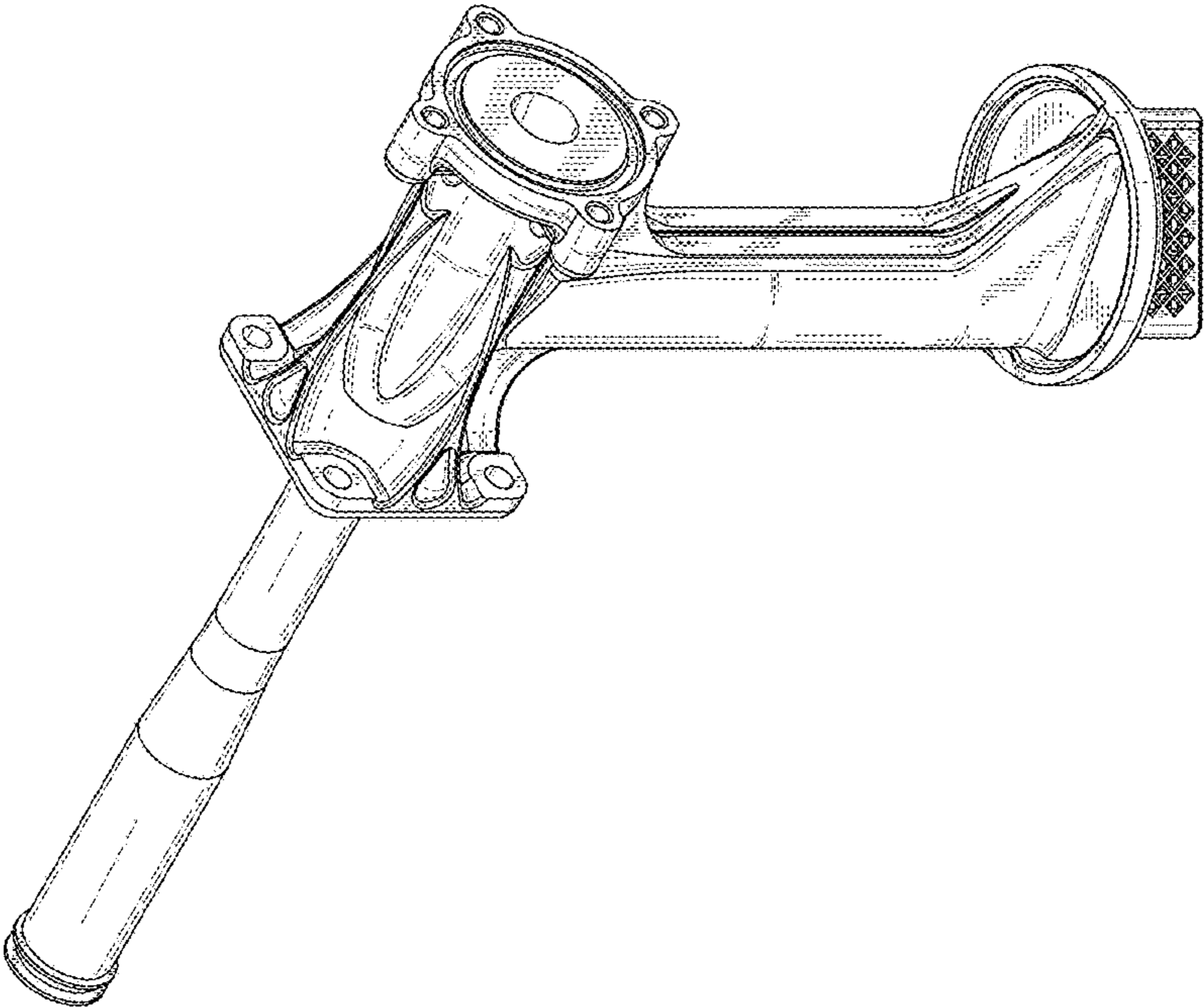


FIG. 2

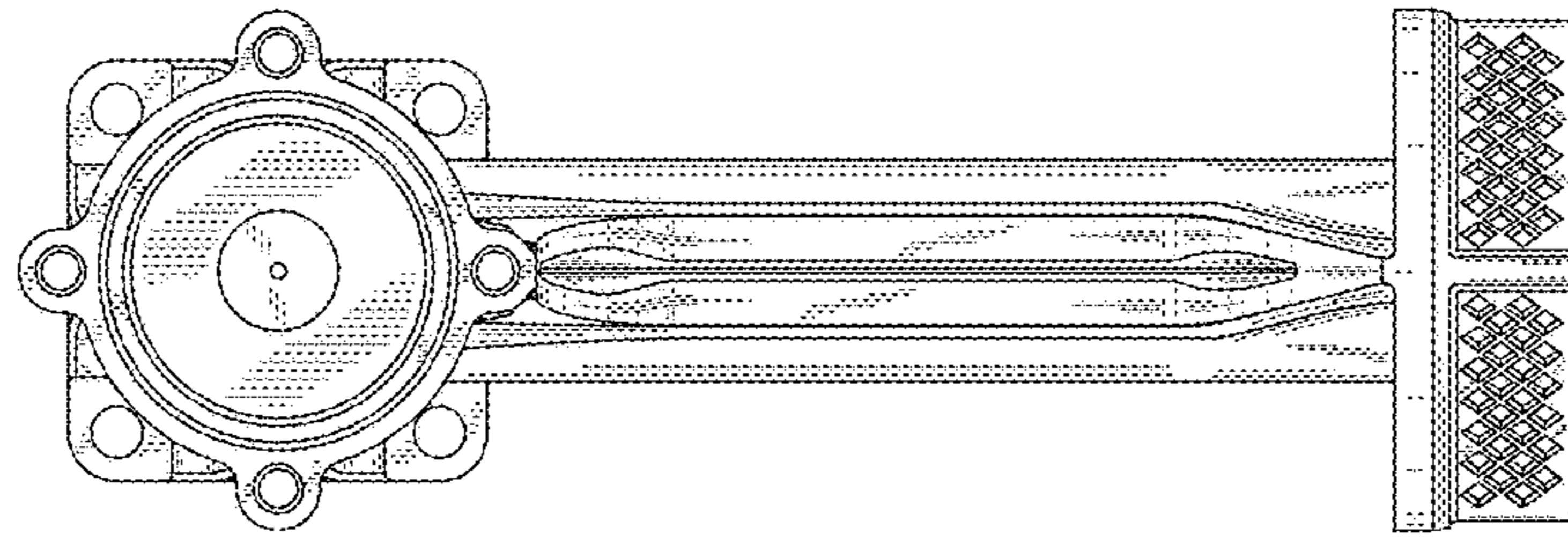


FIG. 4

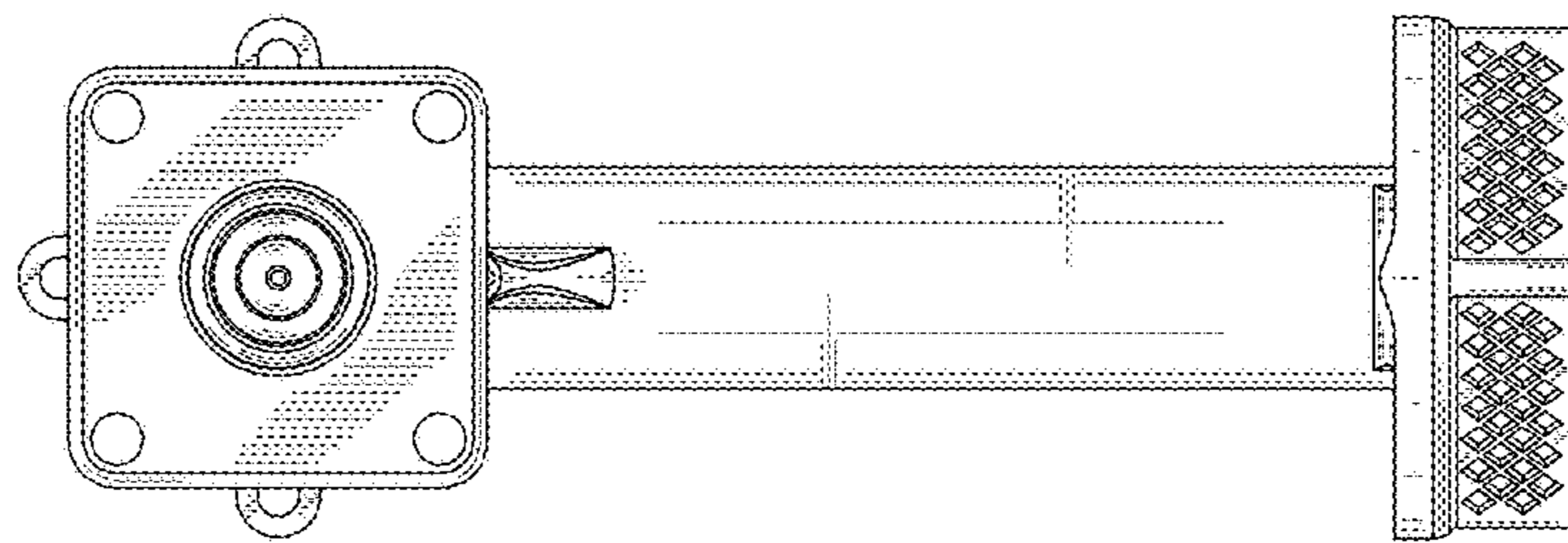


FIG. 3

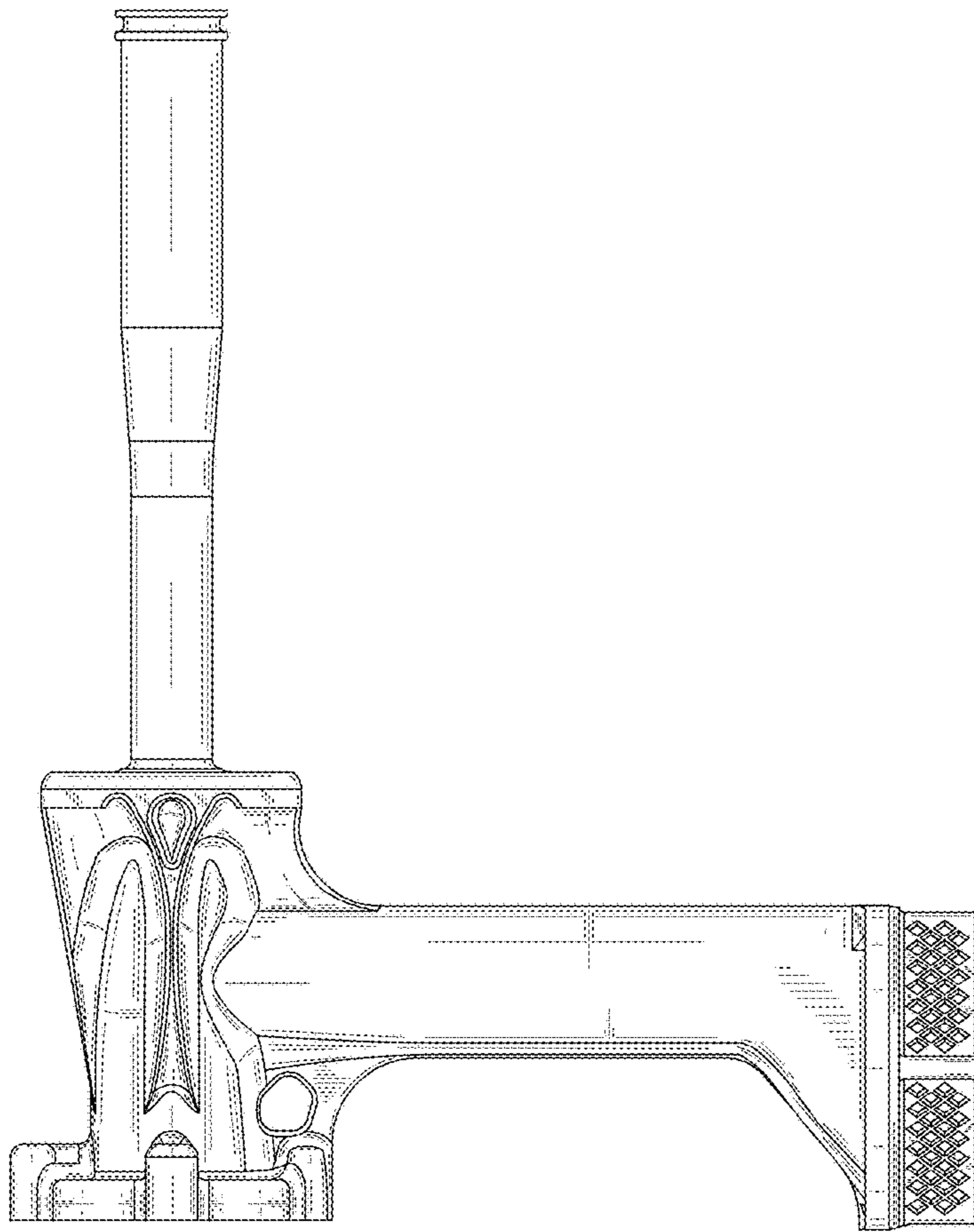


FIG. 5

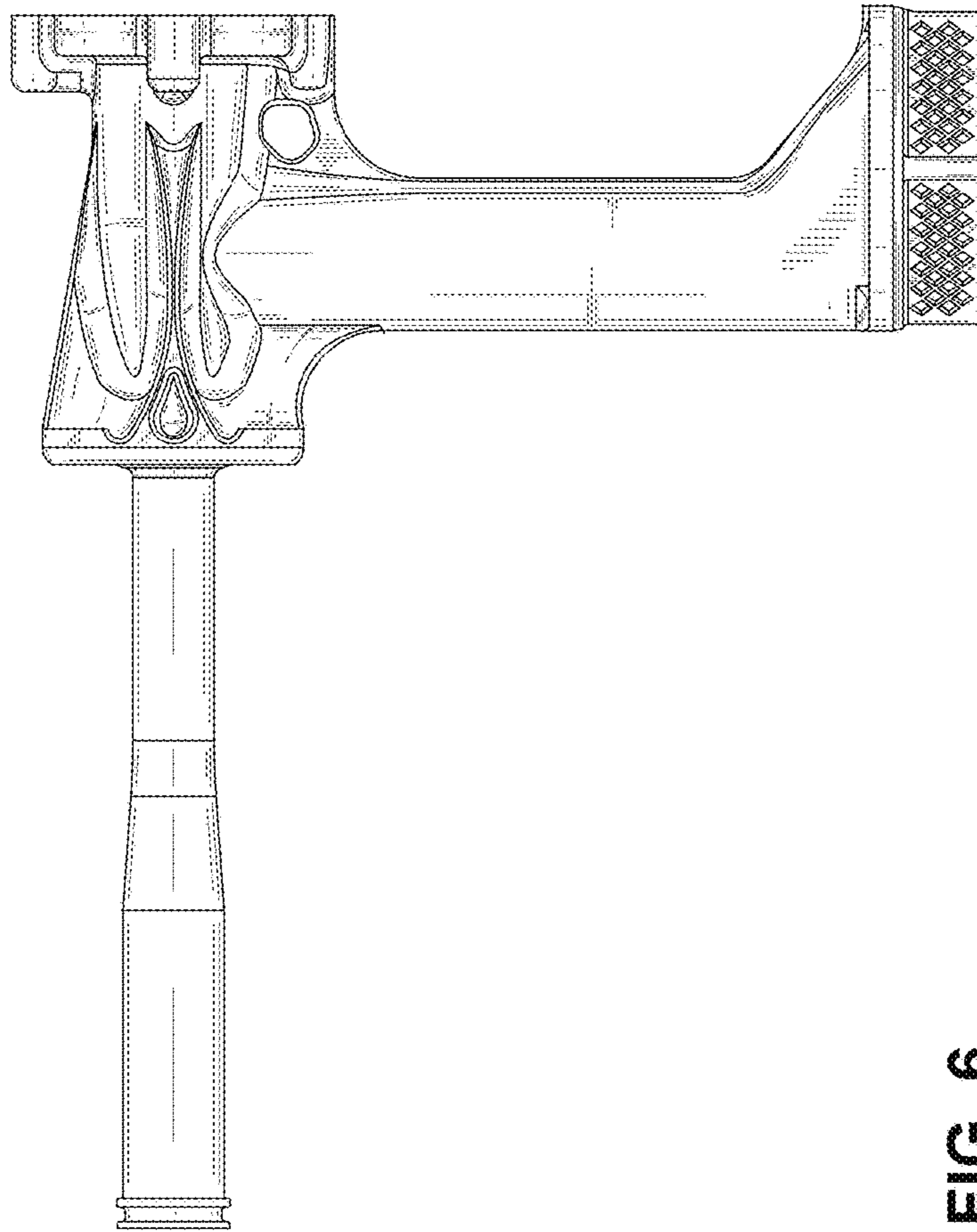


FIG. 6

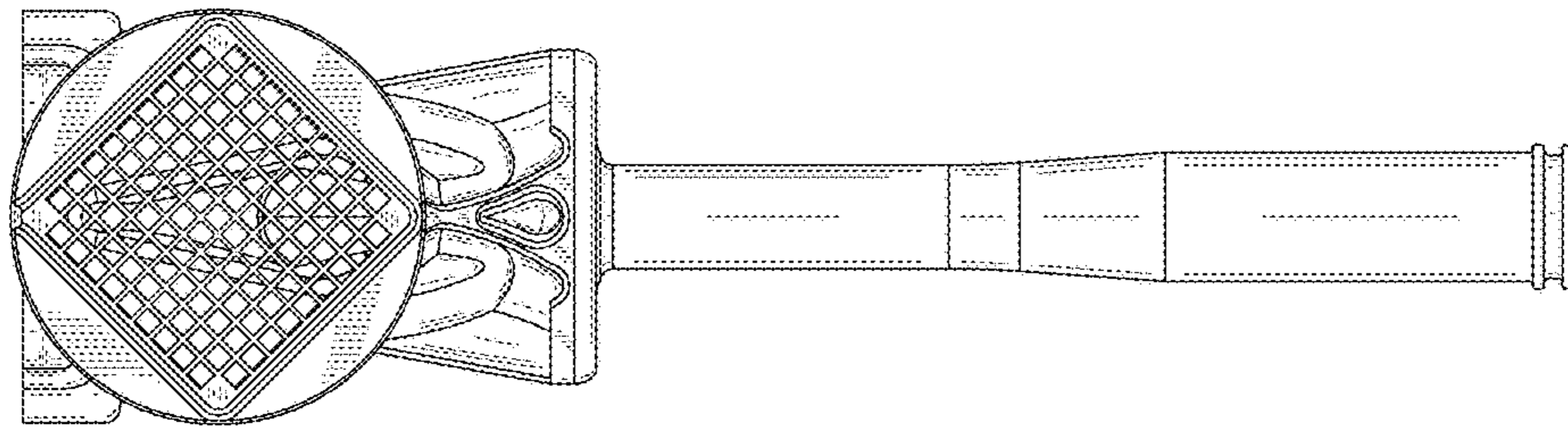


FIG. 8

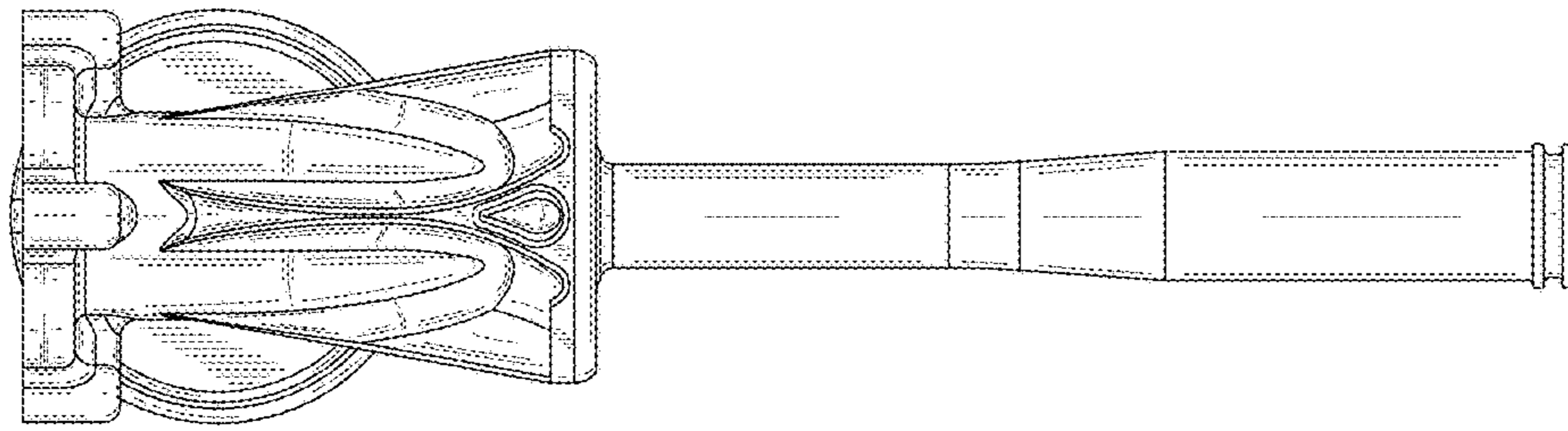


FIG. 7