



US00D856478S

(12) **United States Design Patent** (10) **Patent No.:** **US D856,478 S**
Yung (45) **Date of Patent:** **** Aug. 13, 2019**

(54) **BALL VALVE WITH INTEGRAL ELBOW**

(71) Applicant: **Eastern Foundry & Fittings Inc.,**
Richmond Hill (CA)

(72) Inventor: **Jacky Chi Pang Yung,** Richmond Hill
(CA)

(73) Assignee: **Eastern Foundry & Fittings Inc.,**
Richmond Hill (CA)

(**) Term: **15 Years**

(21) Appl. No.: **29/622,686**

(22) Filed: **Oct. 18, 2017**

D455,818 S *	4/2002	Naoyuki	D23/245
D481,106 S *	10/2003	Pelletz	D23/245
D517,646 S *	3/2006	Rodriguez	D23/233
D518,148 S *	3/2006	Rodriguez	D23/233
D519,605 S *	4/2006	Rodriguez	D23/233
D538,889 S *	3/2007	Marstorp	D23/233
D757,217 S *	5/2016	Park	D23/236
D776,243 S *	1/2017	Park	D23/245
D790,663 S *	6/2017	Petersen	D23/234
D794,165 S *	8/2017	Adey	B03C 1/286
				D23/233
D803,985 S *	11/2017	Yung	D23/233
D818,562 S *	5/2018	Yung	D23/233
D834,149 S *	11/2018	Yung	D23/245
D834,150 S *	11/2018	Yung	D23/245
2008/0156121 A1 *	7/2008	Radomsky	F16K 37/0083
				137/554

* cited by examiner

Related U.S. Application Data

(62) Division of application No. 29/556,943, filed on Mar. 4, 2016, now Pat. No. Des. 803,985.

(51) **LOC (12) Cl.** **23-01**

(52) **U.S. Cl.**
USPC **D23/233**

(58) **Field of Classification Search**
USPC D23/233, 234, 235, 236, 237, 238, 239,
D23/240, 241, 242, 243, 244, 245, 246,
D23/247, 248, 249, 250, 259, 255;
4/255.03, 420, 440, 661; 137/14, 50, 57,
137/596.14, 487.5, 625.64, 557, 558, 554,
137/217; D10/85; 141/64, 198, 294;
251/332, 333, 282
CPC F16K 1/36; F16K 15/02; F16K 15/023
See application file for complete search history.

(56) **References Cited**

U.S. PATENT DOCUMENTS

D321,928 S *	11/1991	Milo	D23/245
D448,454 S *	9/2001	Lai	D23/245

Primary Examiner — Cynthia Ramirez

Assistant Examiner — Michael A Maharajh

(74) *Attorney, Agent, or Firm* — Elan IP Inc.

(57) **CLAIM**

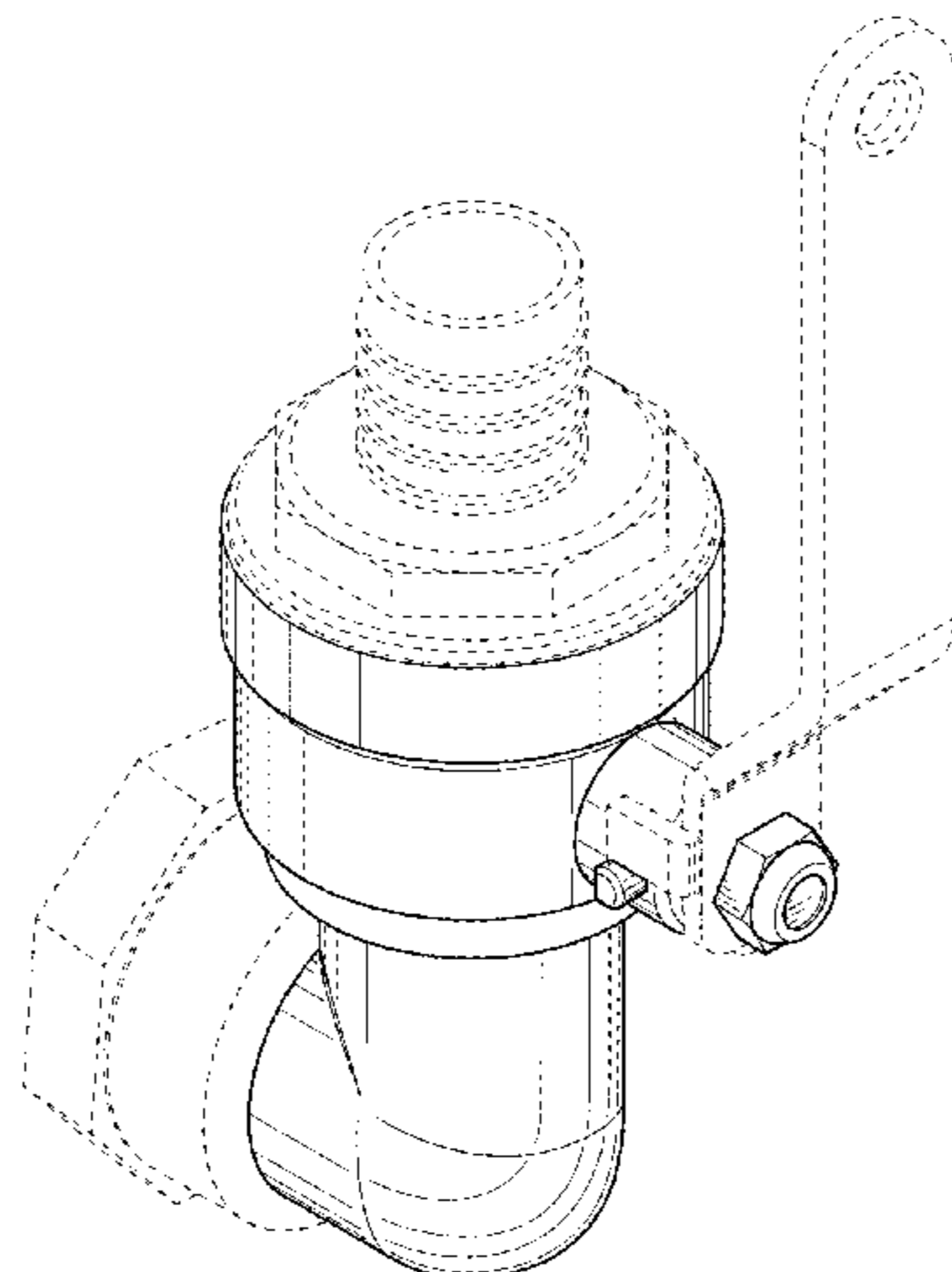
The ornamental design for a ball valve with integral elbow, as shown and described.

DESCRIPTION

FIG. 1 is a perspective view of a ball valve with integral elbow embodying the present invention;
FIG. 2 is a bottom view thereof;
FIG. 3 is a top view thereof;
FIG. 4 is a first side view thereof;
FIG. 5 is a second side view thereof
FIG. 6 is a rear view thereof; and,
FIG. 7 is a front view thereof.

The broken lines shown in the figures are for the purpose of illustrating portions of the ball valve with integral elbow and form no part of the claimed design.

1 Claim, 7 Drawing Sheets



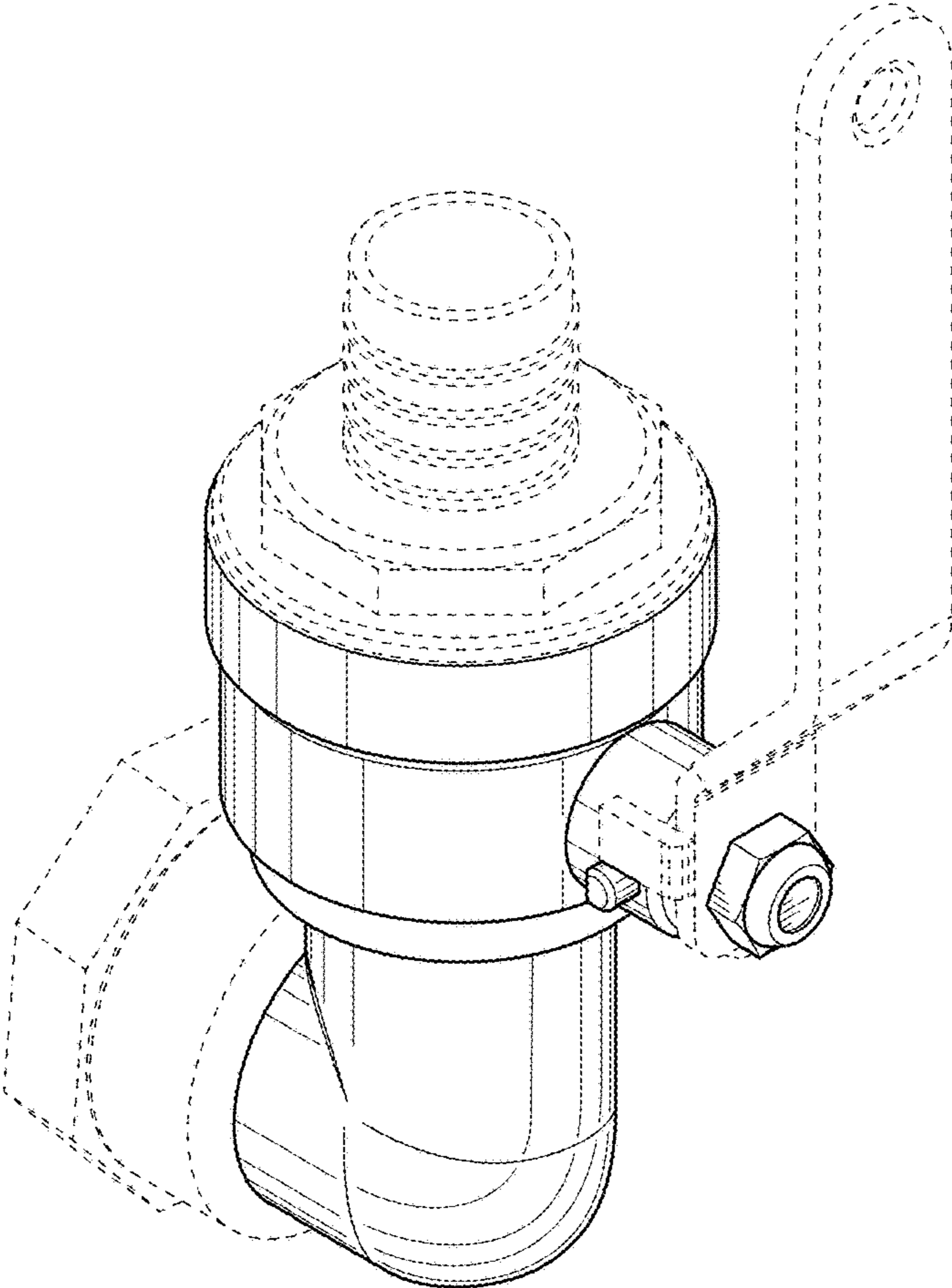


Fig. 1

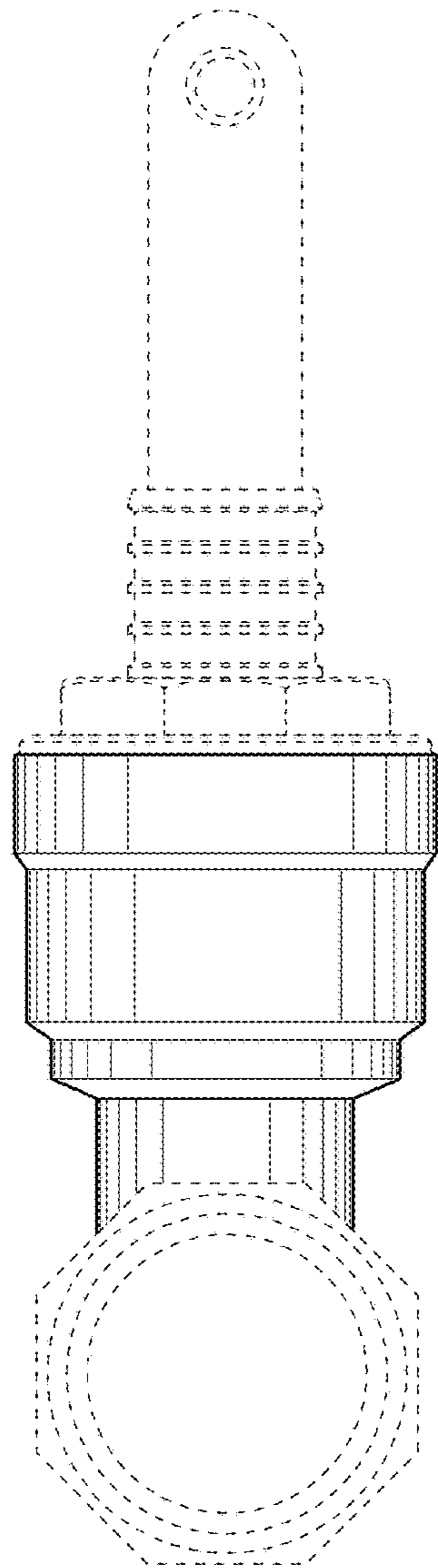


Fig. 2

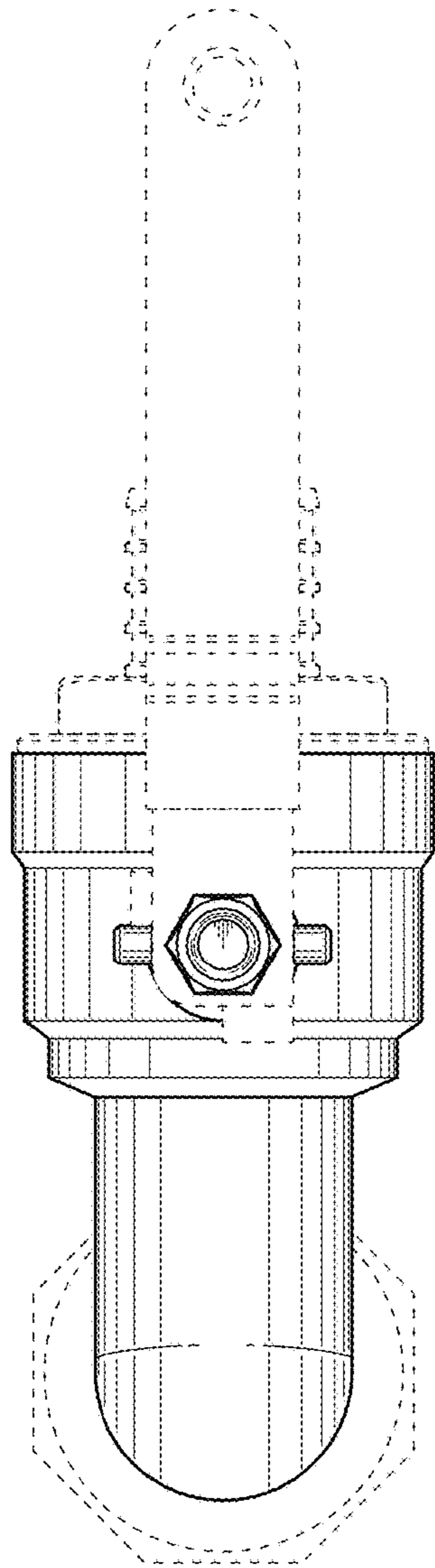


Fig. 3

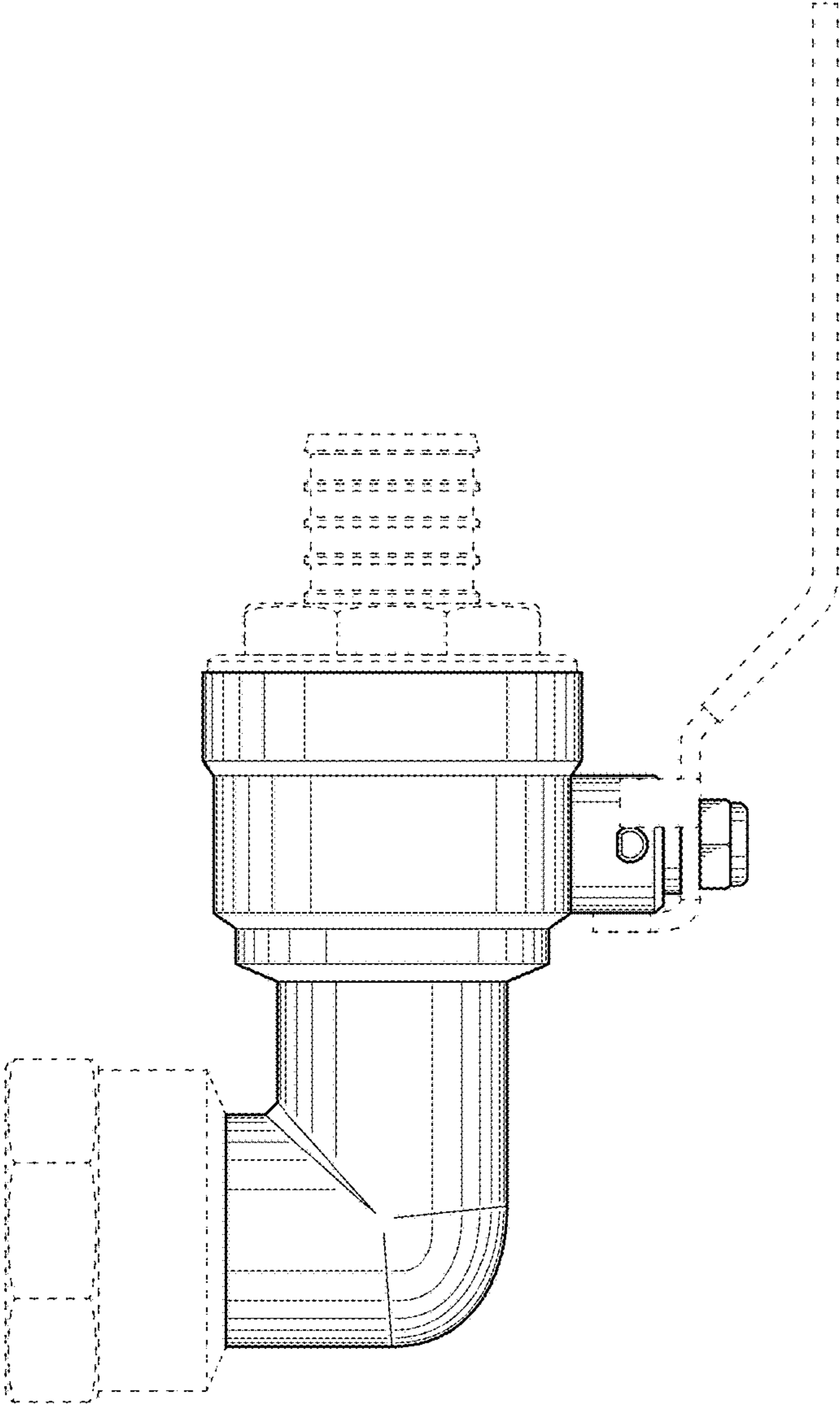


Fig. 4

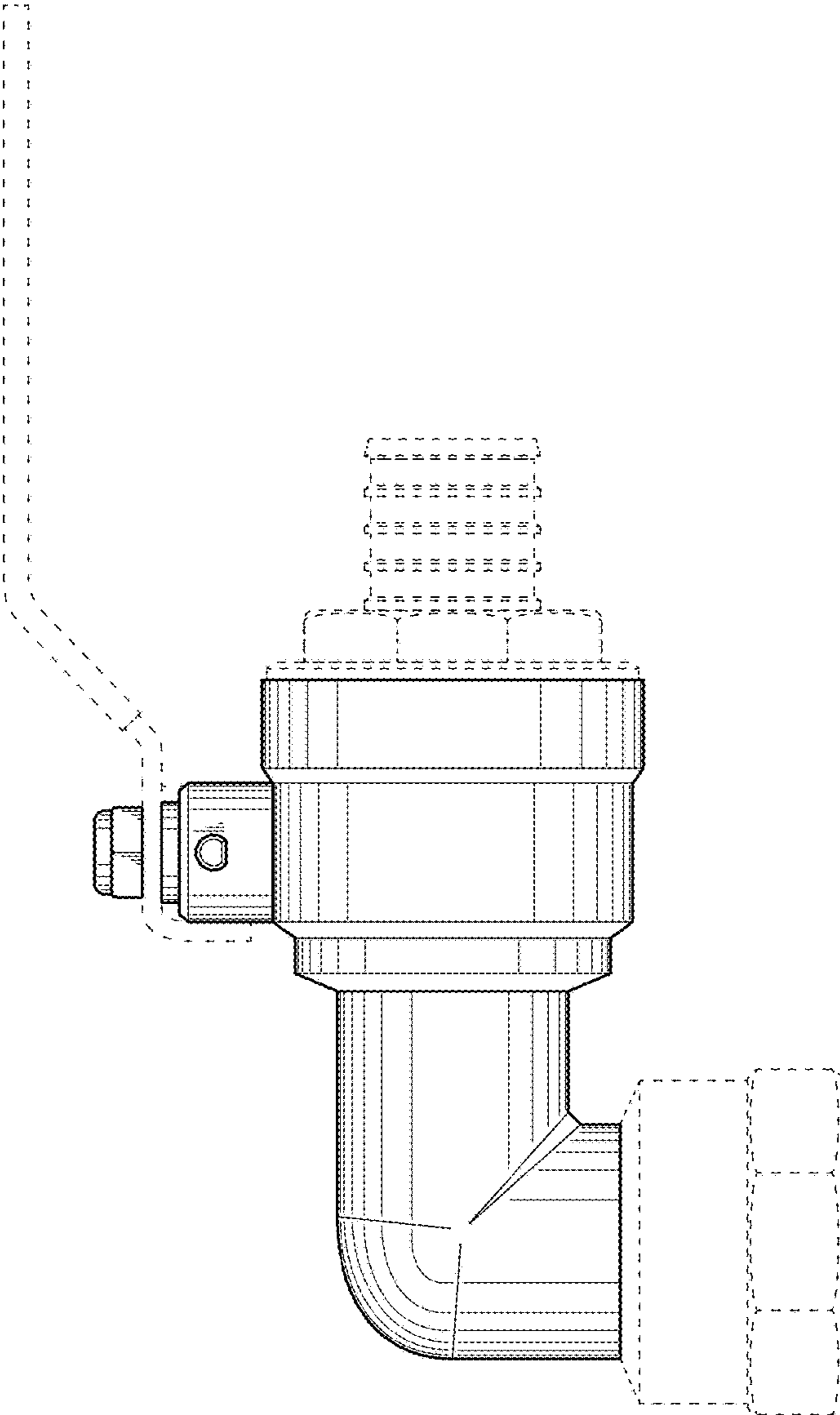


Fig. 5

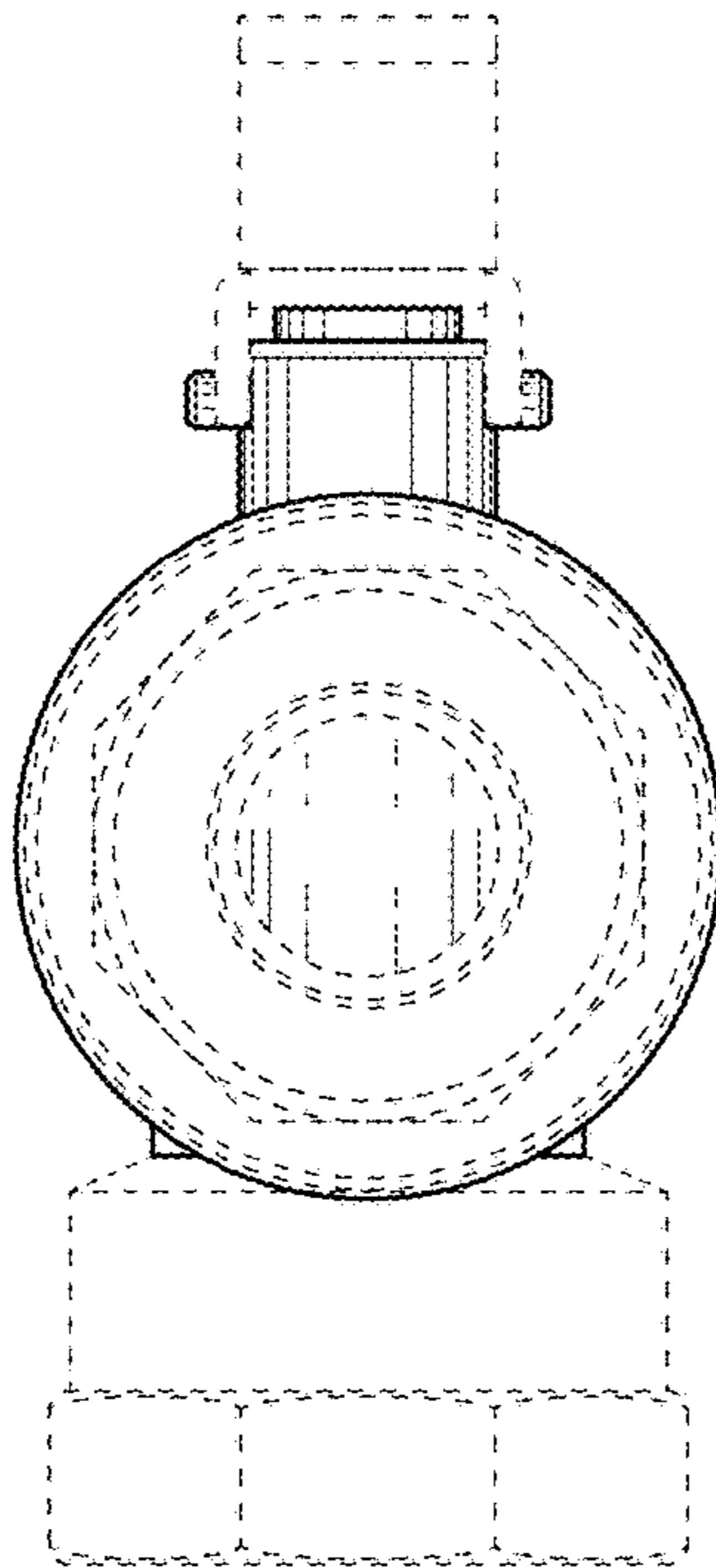


Fig. 6

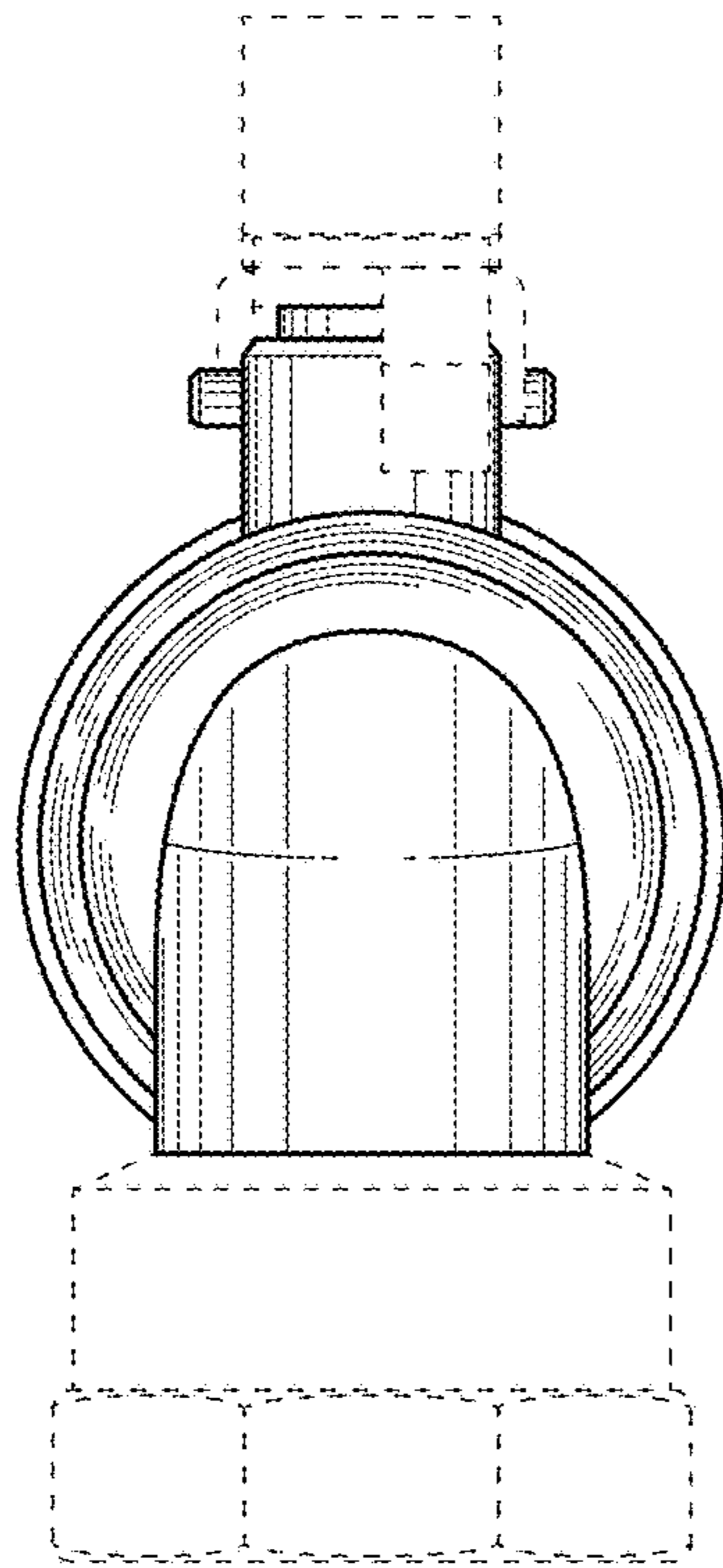


Fig. 7