



US00D856477S

(12) **United States Design Patent**
Campbell

(10) **Patent No.:** **US D856,477 S**

(45) **Date of Patent:** **** Aug. 13, 2019**

(54) **DEVICE FOR PREVENTING SEWER BACKFLOW**

3,768,505 A 10/1973 Benke
3,809,411 A 5/1974 Emberson
3,903,918 A * 9/1975 Carnarius F16K 15/04
137/433

(71) Applicant: **Robert Campbell**, Brampton (CA)

4,088,149 A 5/1978 Logsdon
4,160,293 A * 7/1979 Niemann E03C 1/262
4/291

(72) Inventor: **Robert Campbell**, Brampton (CA)

4,239,240 A 12/1980 Wilkinson

(**) Term: **15 Years**

(Continued)

(21) Appl. No.: **29/574,121**

Primary Examiner — Cynthia Ramirez

Assistant Examiner — Gino Colan

(22) Filed: **Aug. 12, 2016**

(74) *Attorney, Agent, or Firm* — Riches, McKenzie & Herbert LLP

(30) **Foreign Application Priority Data**

Mar. 18, 2016 (CA) 167599

(51) **LOC (12) Cl.** **23-01**

(52) **U.S. Cl.**
USPC **D23/233**

(58) **Field of Classification Search**
USPC D23/233–250; 137/433, 430, 362, 410;
251/144
CPC F16K 33/00; F16K 7/10; F16K 27/067;
F16K 15/144; F16K 31/22; E03F 7/04
See application file for complete search history.

(57) **CLAIM**

I claim the ornamental design for a device for preventing sewer backflow, as shown and described.

DESCRIPTION

FIG. 1 is a perspective front, top and right side view of a device for preventing sewer backflow;
FIG. 2 is a perspective front, bottom and right side view of the device for preventing sewer backflow of FIG. 1;
FIG. 3 is a top plan view of the device for preventing sewer backflow of FIG. 1;
FIG. 4 is a bottom plan view of the device for preventing sewer backflow of FIG. 1;
FIG. 5 is a right side elevational view of the device for preventing sewer backflow of FIG. 1;
FIG. 6 is a front elevational view of the device for preventing sewer backflow of FIG. 1;
FIG. 7 is a left side elevational view of the device for preventing sewer backflow of FIG. 1; and,
FIG. 8 is a rear elevational view of the device for preventing sewer backflow of FIG. 1.

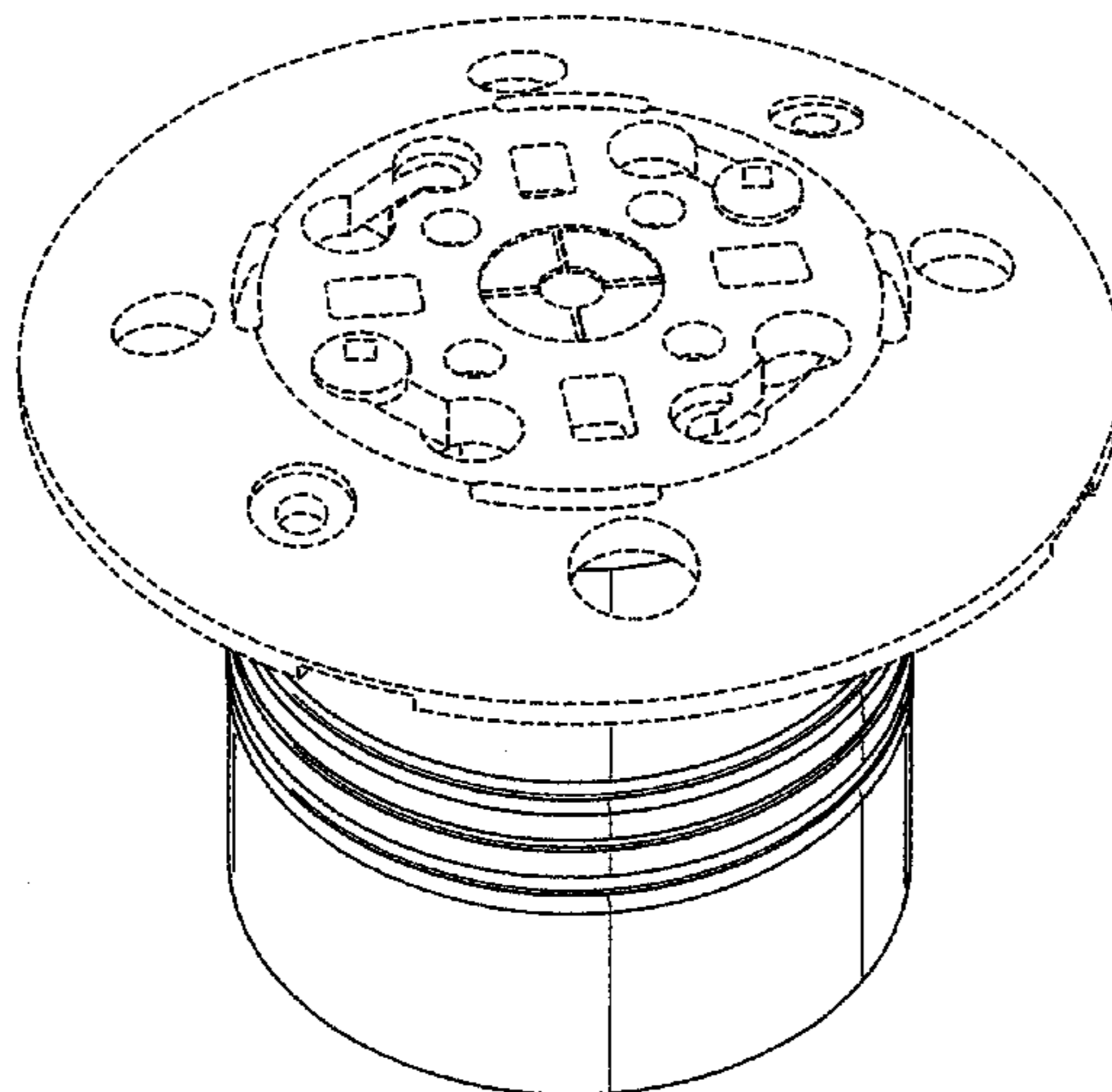
The broken lines shown in the drawings are for the purpose of illustrating portions of the device for preventing sewer backflow and form no part of the claimed design.

(56) **References Cited**

U.S. PATENT DOCUMENTS

783,493 A * 2/1905 Wood 137/433
1,034,965 A 8/1912 Bradley
1,753,724 A 4/1930 Shaw
2,003,770 A * 6/1935 Goodhart E03F 5/042
137/433
2,476,434 A * 7/1949 Spang E21B 21/10
137/433
2,843,146 A 7/1958 Kirschner
2,871,875 A 2/1959 Dale
3,007,484 A 11/1961 Hallinan
3,107,687 A 10/1963 Howe
3,322,430 A 5/1967 Voitik
3,610,275 A 10/1971 Determan et al.

1 Claim, 8 Drawing Sheets



(56)

References Cited

U.S. PATENT DOCUMENTS

D363,532 S * 10/1995 Van Gorp D23/233
6,273,124 B1 * 8/2001 Huber E03F 5/0407
137/362
7,410,146 B2 * 8/2008 Huang F16K 3/265
251/144
9,010,363 B2 * 4/2015 Huber E03F 5/0407
137/512.1
9,790,678 B2 * 10/2017 Character E03F 5/0407
9,945,110 B2 * 4/2018 Chen E03D 1/35
10,082,213 B1 * 9/2018 Character F16K 15/04

* cited by examiner

Fig. 1

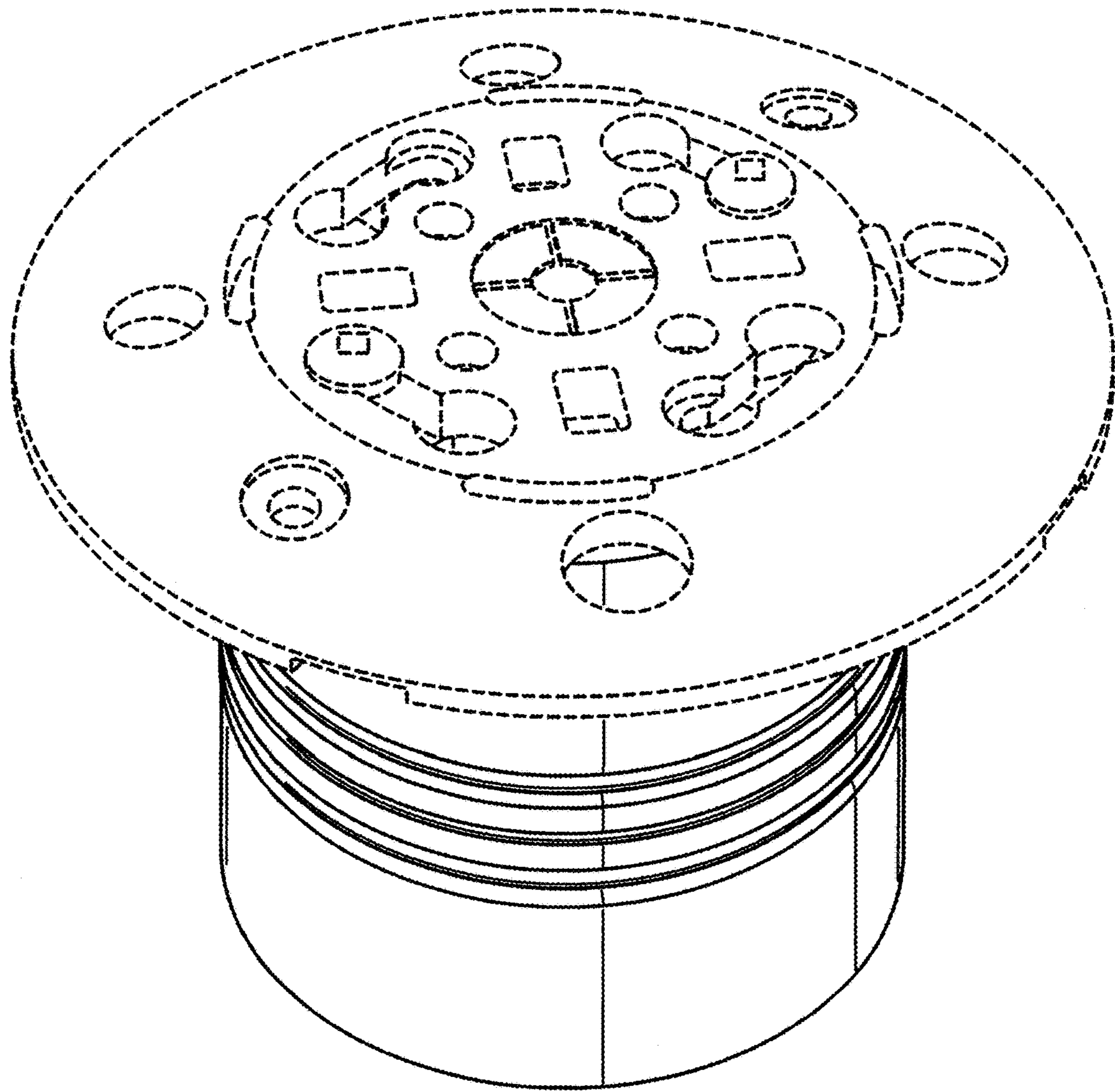


Fig. 2

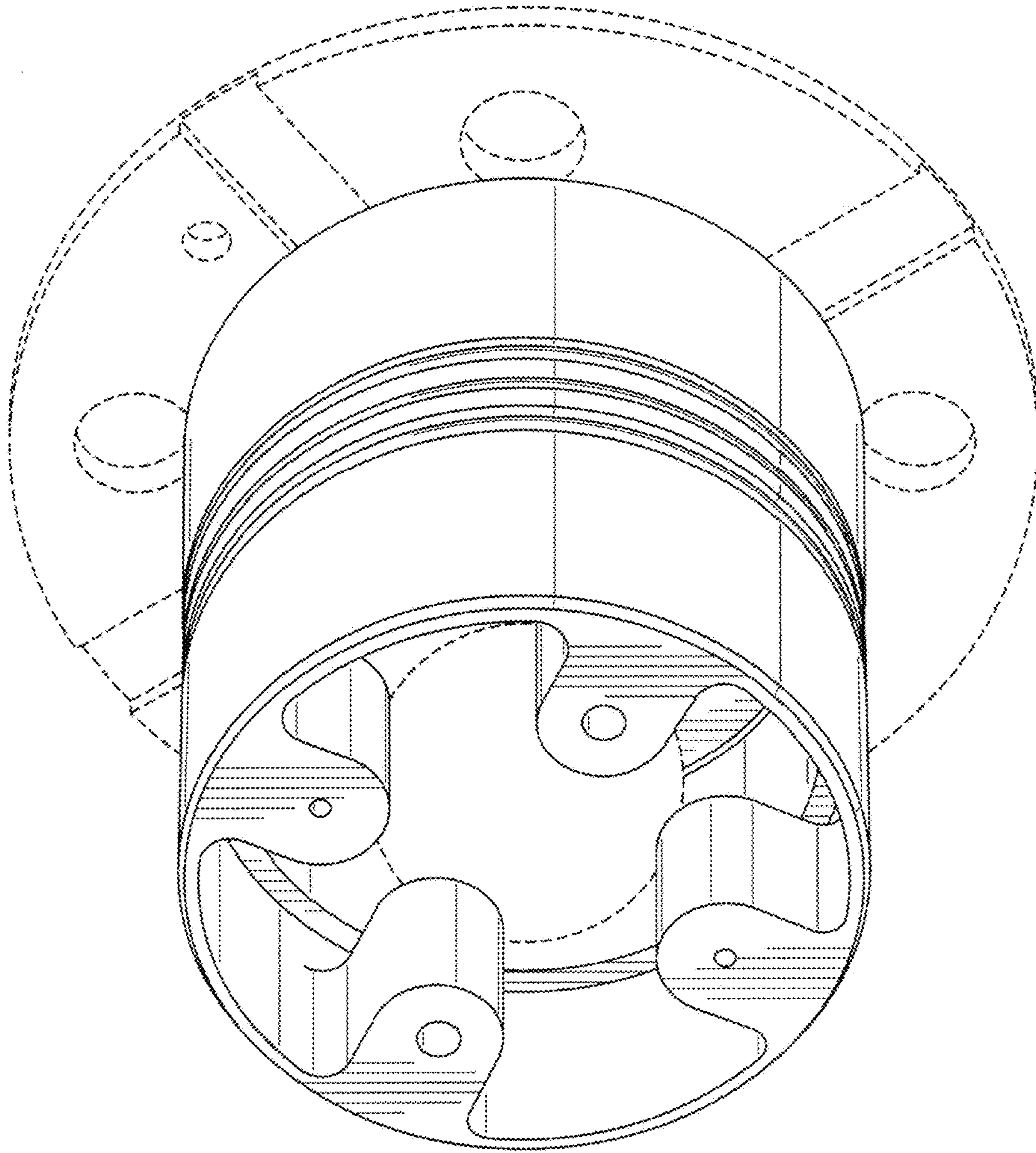


Fig. 3

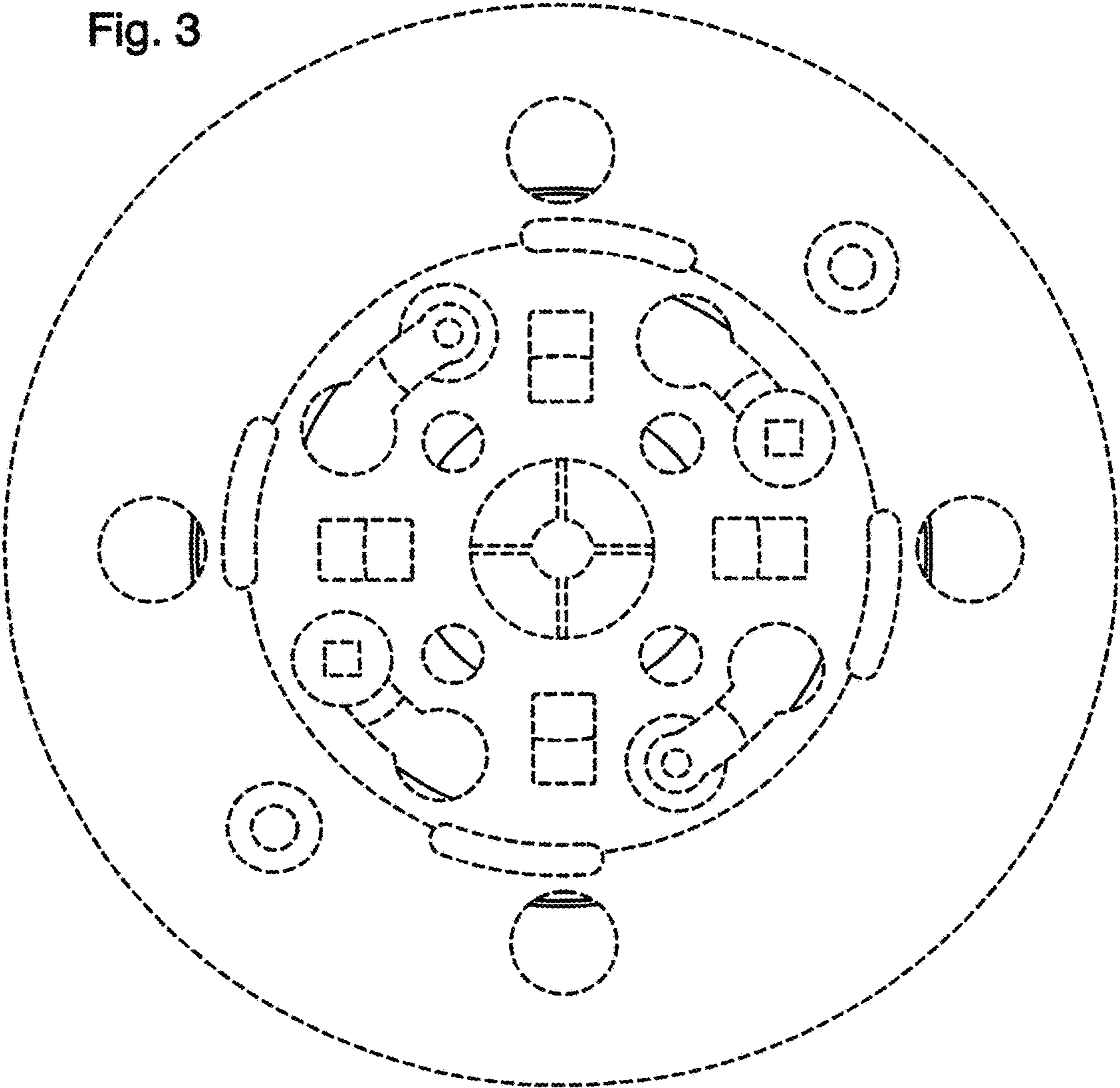


Fig. 4

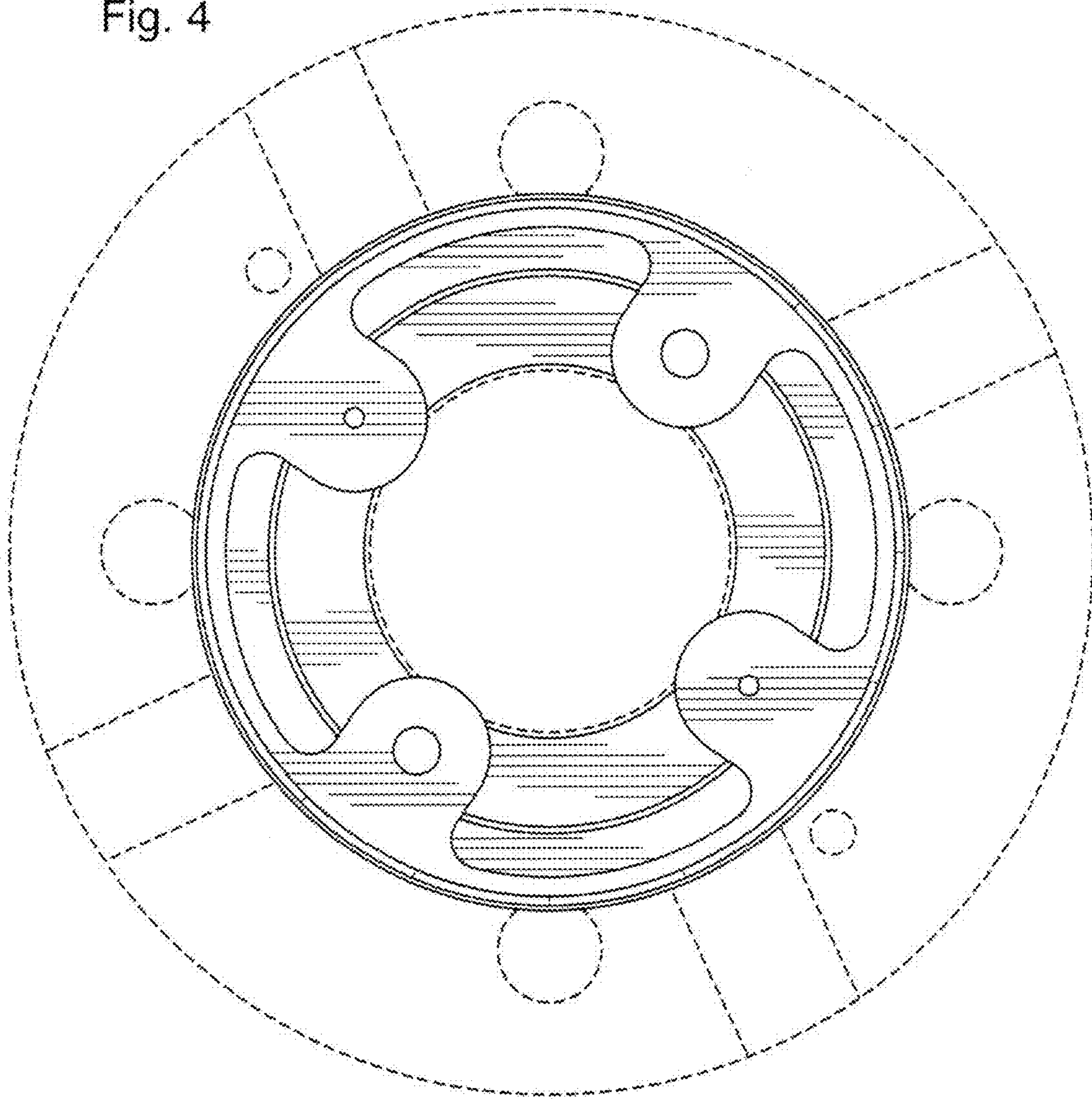


Fig. 5

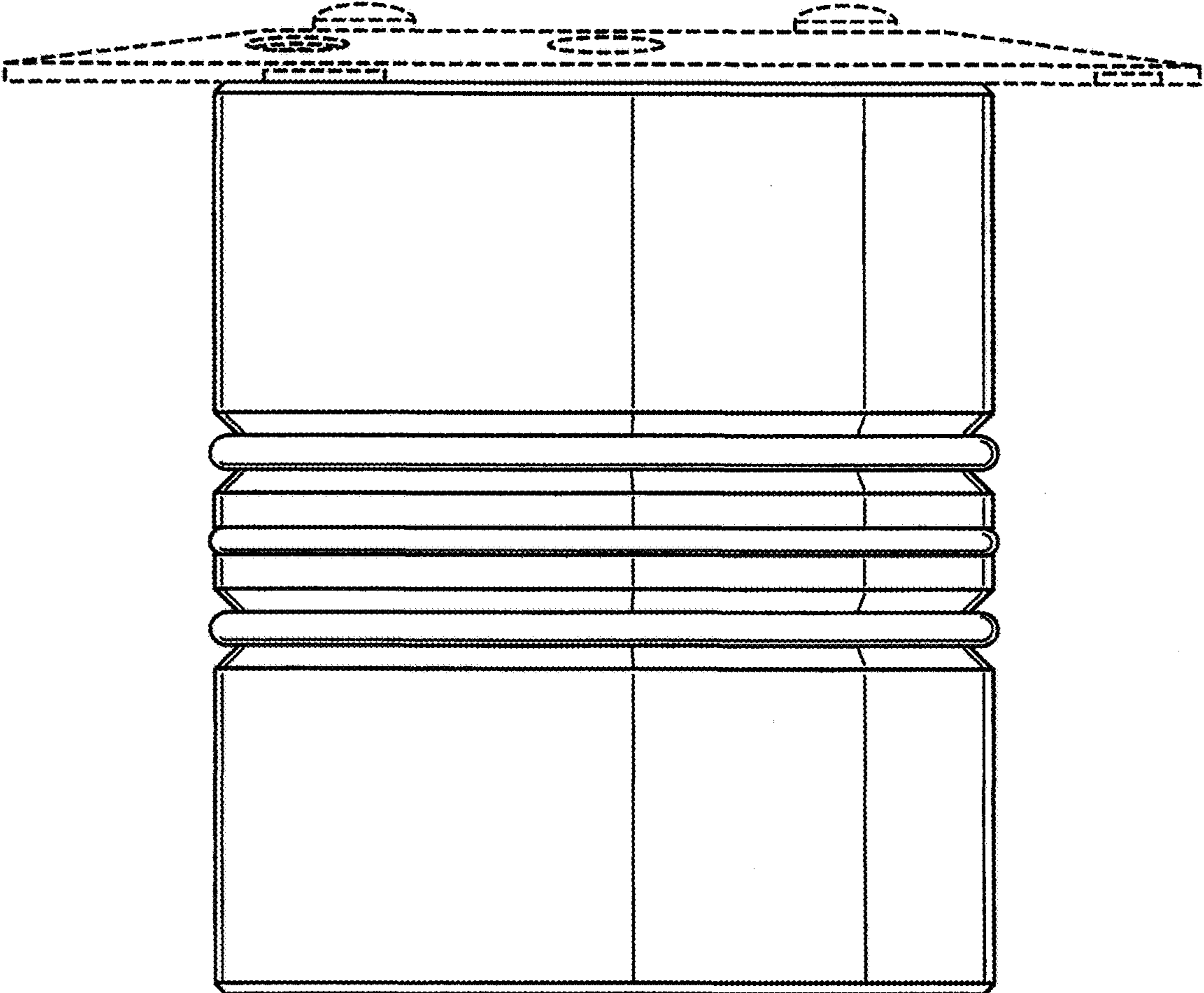


Fig. 6

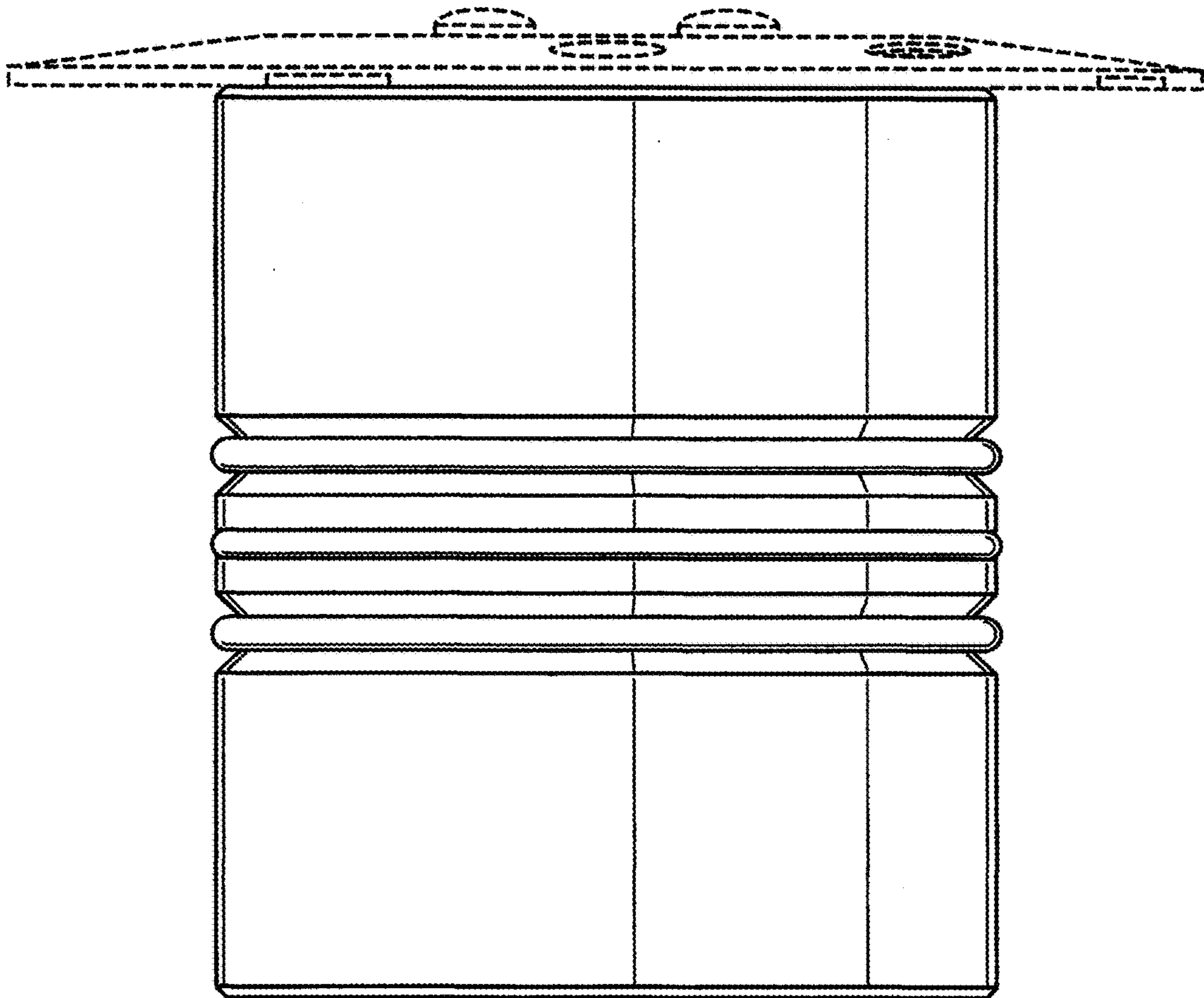


Fig. 7

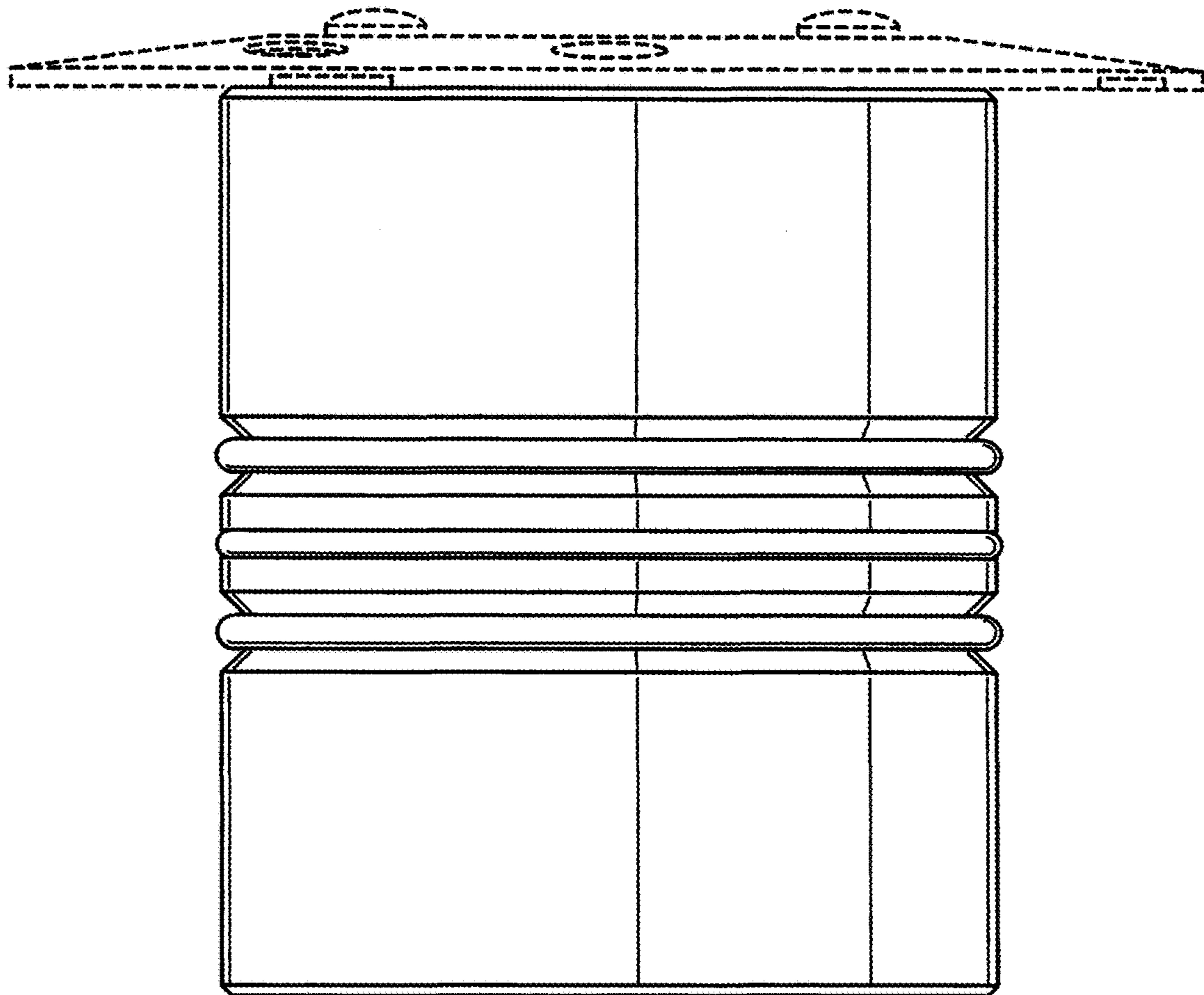


Fig. 8

