



US00D856476S

(12) **United States Design Patent**
Park

(10) **Patent No.:** **US D856,476 S**

(45) **Date of Patent:** **** Aug. 13, 2019**

(54) **NOZZLE FOR FLUID PUMP**

(71) Applicant: **Dukshin Corp., Ltd.**, Incheon (KR)

(72) Inventor: **Kyung Suh Park**, Suwon-si (KR)

(73) Assignee: **DUKSHIN CORP., LTD.**, Incheon (KR)

(**) Term: **15 Years**

(21) Appl. No.: **29/631,097**

(22) Filed: **Dec. 27, 2017**

(51) **LOC (12) Cl.** **23-01**

(52) **U.S. Cl.**
USPC **D23/226**

(58) **Field of Classification Search**
USPC D23/213, 223, 226; D15/7
CPC A01M 7/0046; B05B 9/01; B05B 1/30;
B05B 7/08; B05B 5/1691; B05B 5/043;
B05B 5/025; B05B 1/005; B05B 7/083
See application file for complete search history.

(56) **References Cited**

U.S. PATENT DOCUMENTS

D559,350 S * 1/2008 Huang D23/213
D733,255 S * 6/2015 Blum D23/213

D755,925 S * 5/2016 Park D15/7
D760,351 S * 6/2016 Weidmann D23/226
D780,891 S * 3/2017 Endo D23/226
D800,867 S * 10/2017 Blum D23/213

* cited by examiner

Primary Examiner — Robin V Webster

(74) *Attorney, Agent, or Firm* — Kirton McConkie; Evan R. Witt

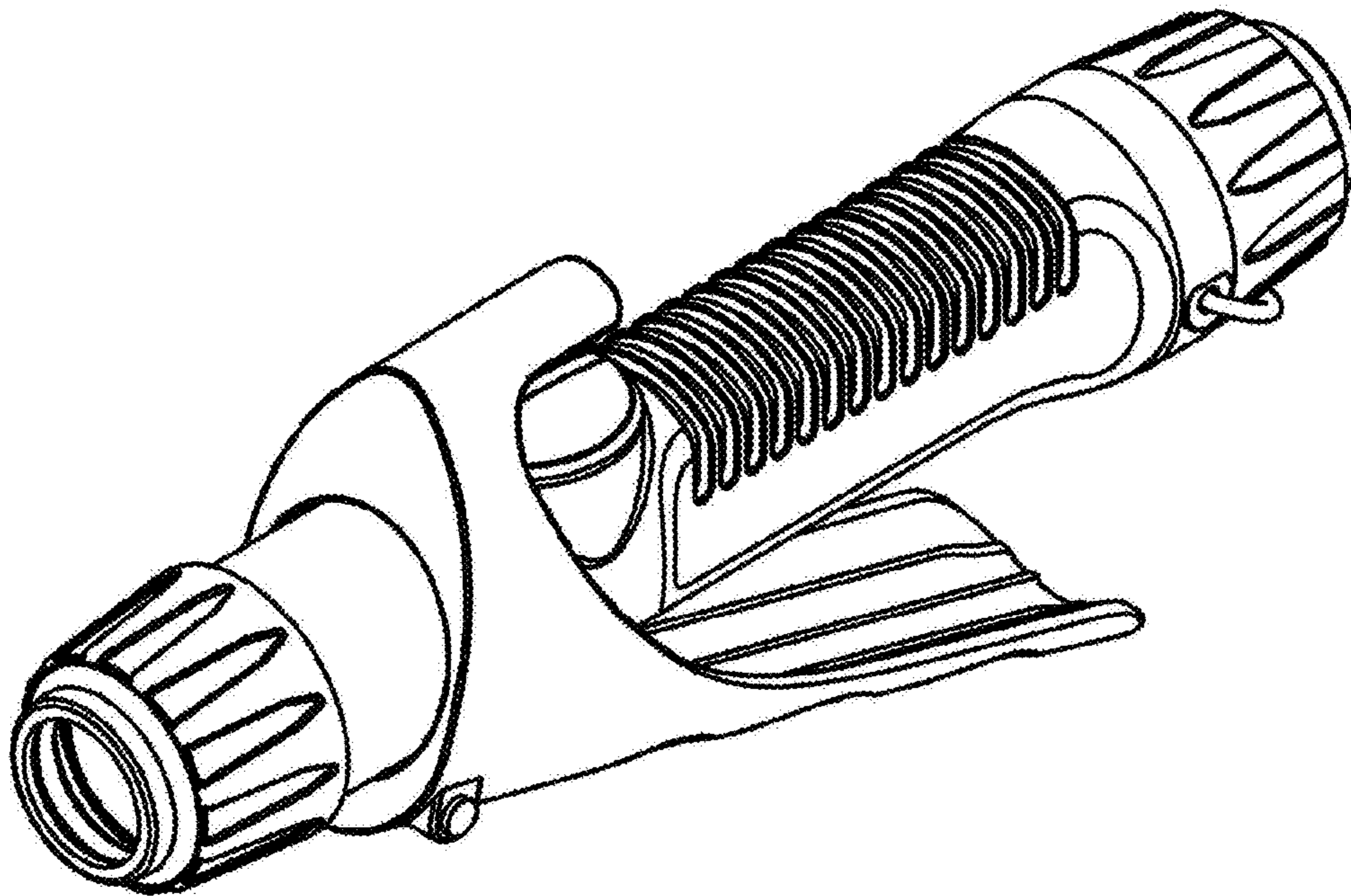
(57) **CLAIM**

The ornamental design for a nozzle for fluid pump, as shown.

DESCRIPTION

FIG. 1 is a perspective view of a nozzle for fluid pump showing my new design;
FIG. 2 is a right side elevational view thereof;
FIG. 3 is a left side elevational view thereof;
FIG. 4 is a front elevational view thereof;
FIG. 5 is a rear elevational view thereof;
FIG. 6 is a top plan view thereof;
FIG. 7 is a bottom plan view thereof; and,
FIG. 8 is another perspective view thereof.

1 Claim, 5 Drawing Sheets



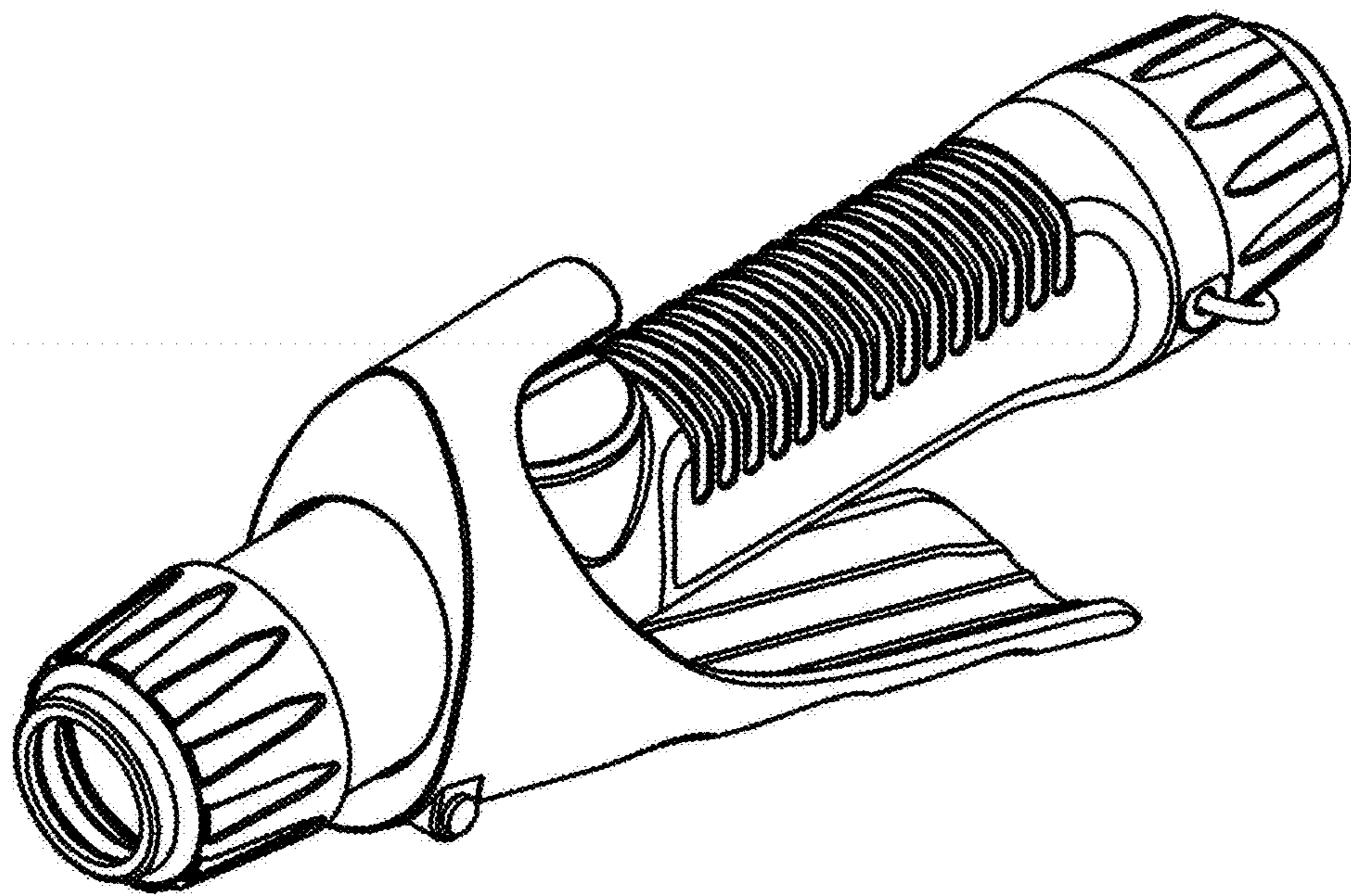


Fig. 1

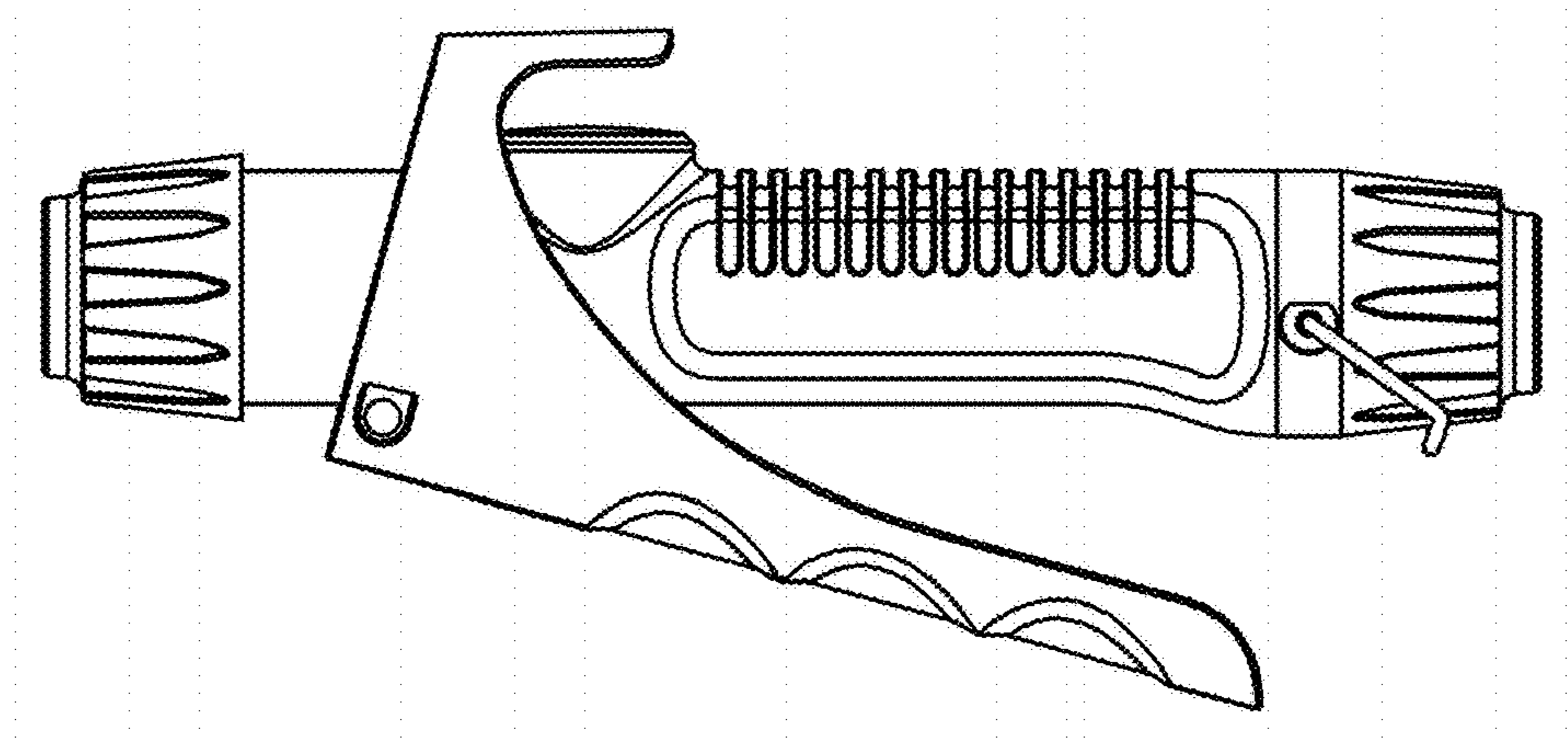


Fig. 2

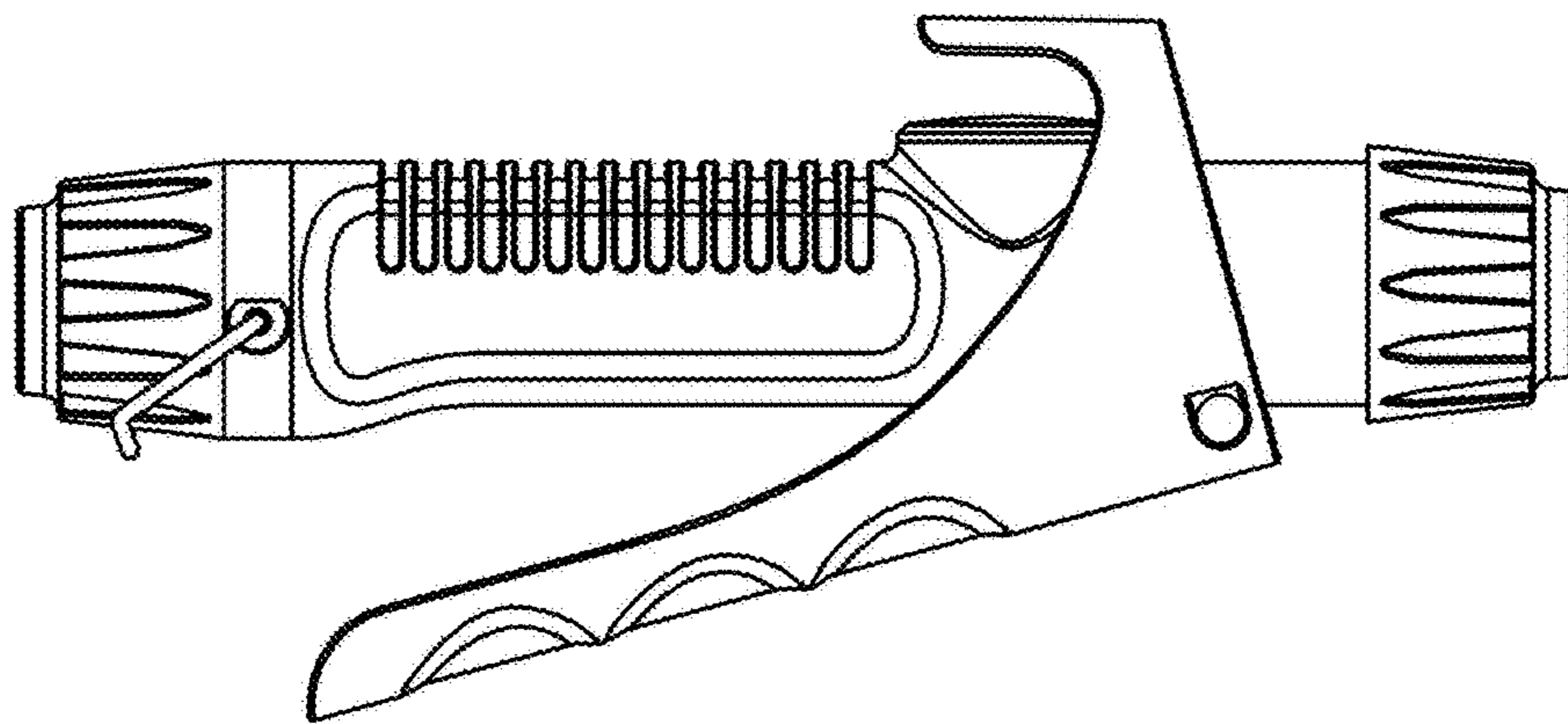


Fig. 3

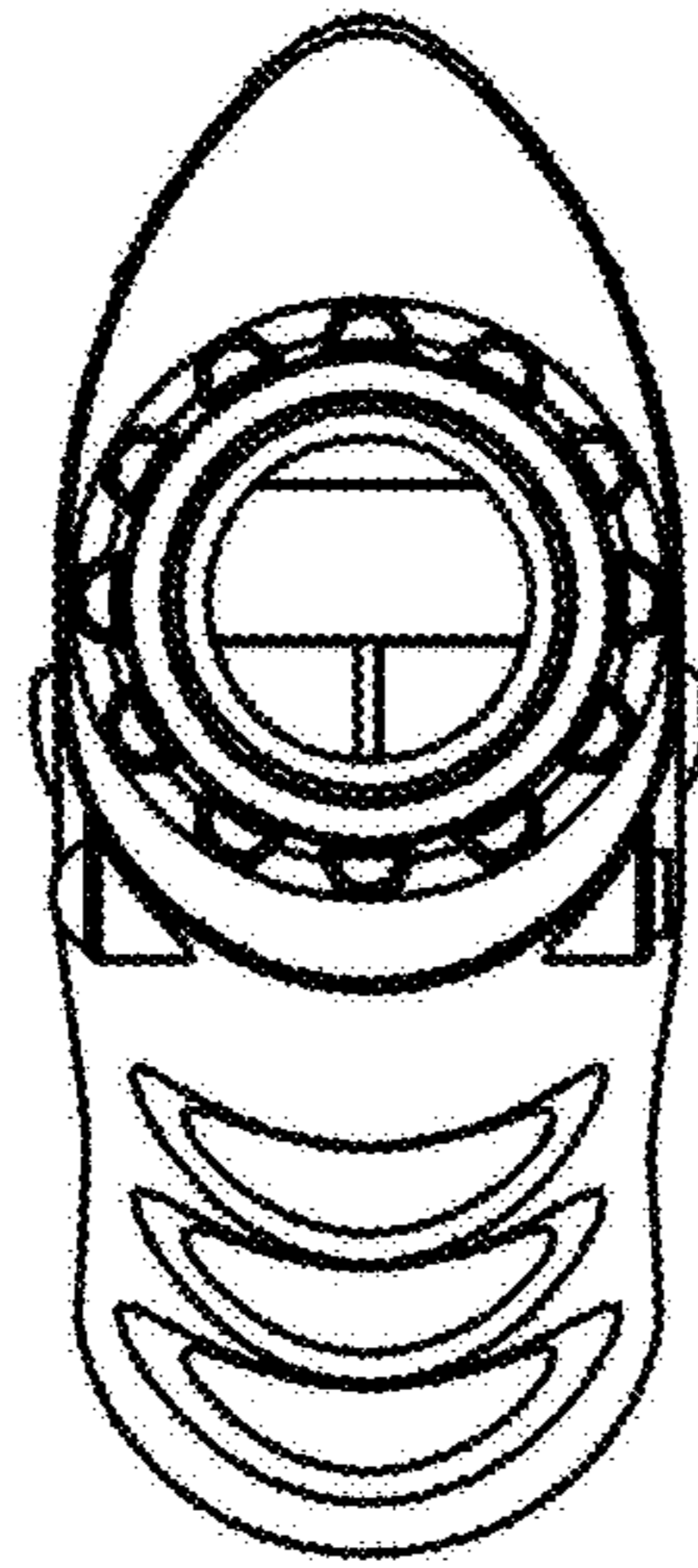


Fig. 4

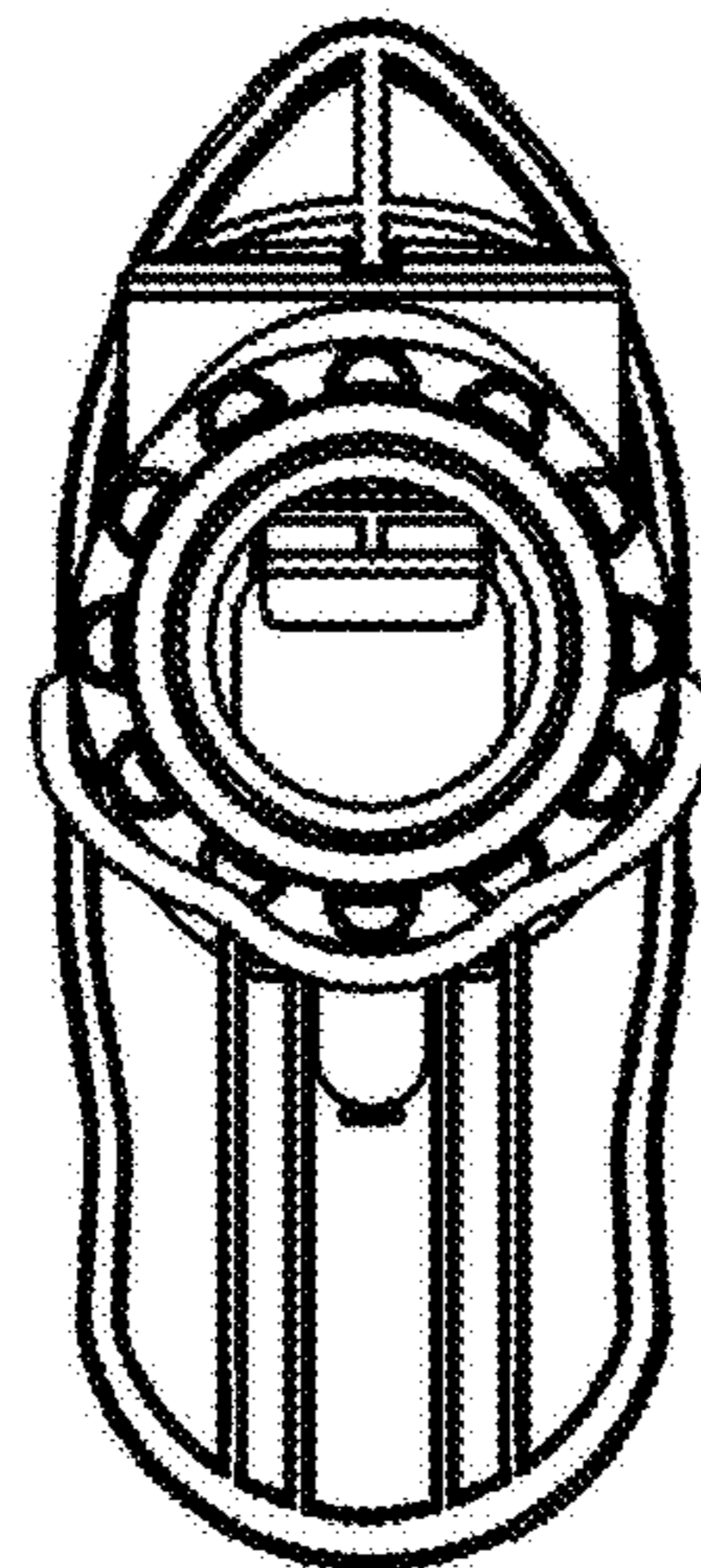


Fig. 5

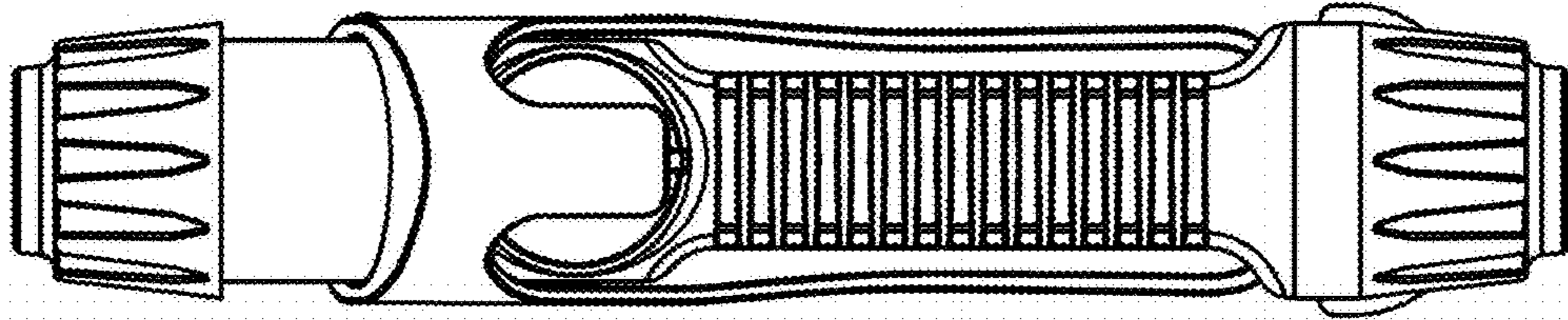


Fig. 6

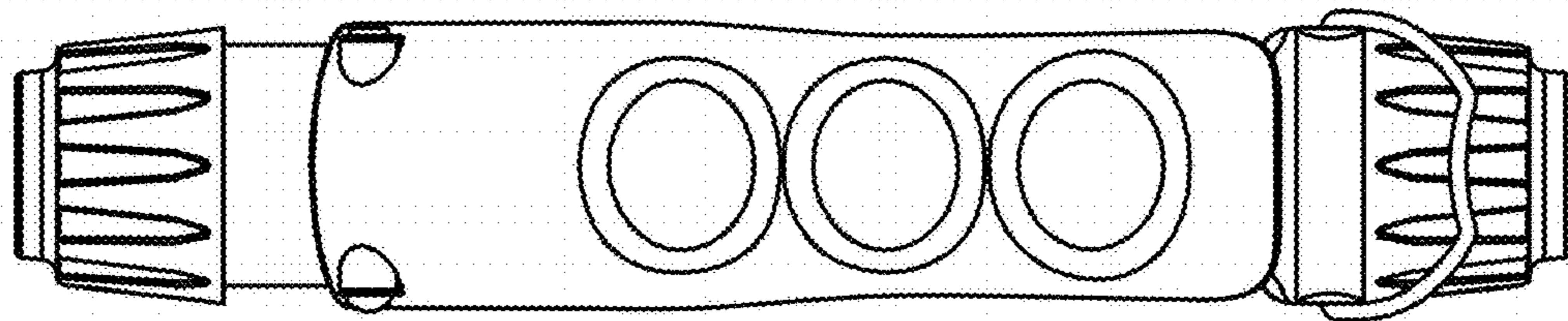


Fig. 7

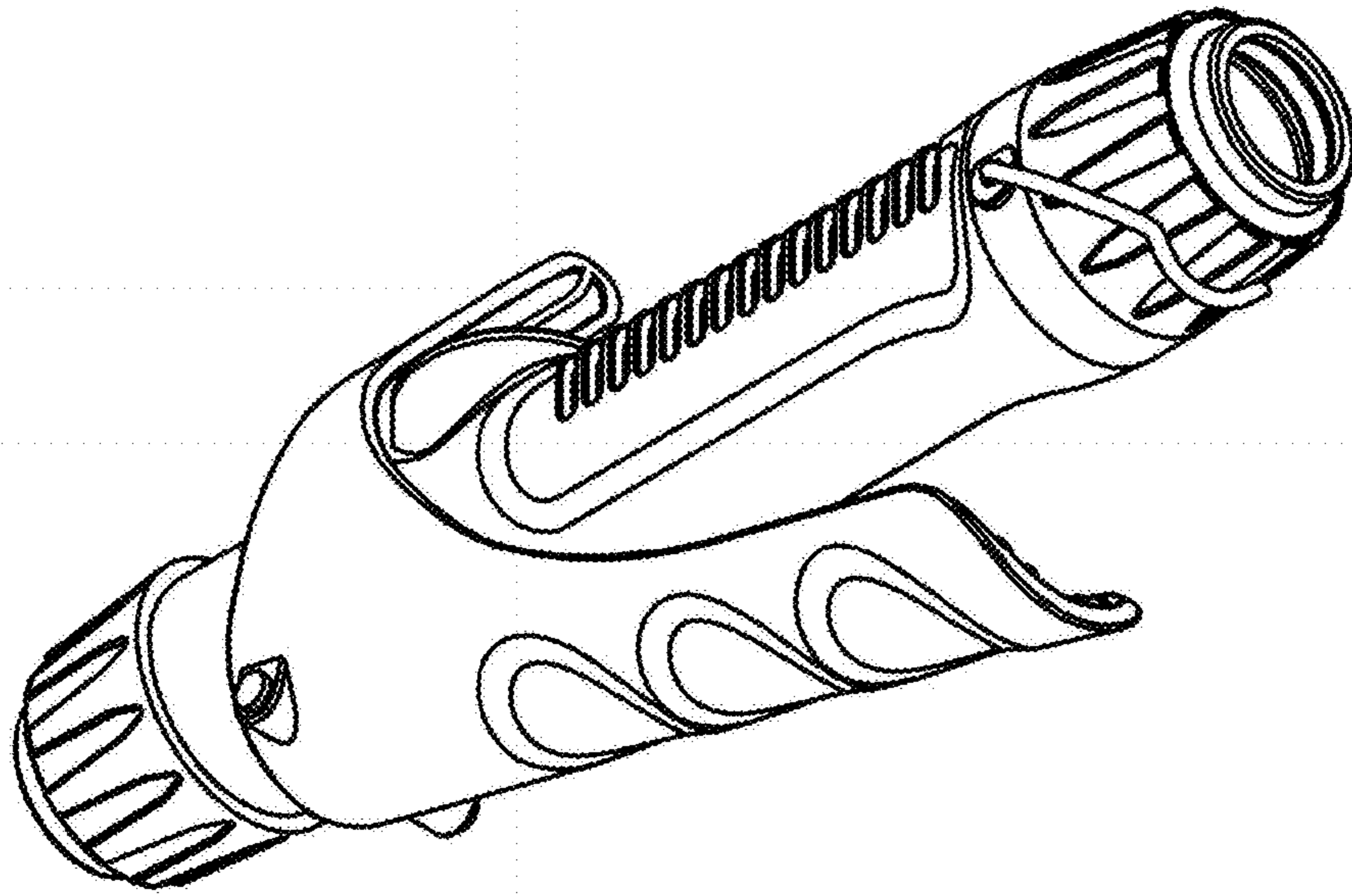


Fig. 8