



US00D856469S

(12) **United States Design Patent**
Nagashima

(10) **Patent No.:** **US D856,469 S**

(45) **Date of Patent:** **** Aug. 13, 2019**

(54) **WATER CHILLING UNIT**

(71) Applicant: **Toshihiro Nagashima**, Osaka (JP)

(72) Inventor: **Toshihiro Nagashima**, Osaka (JP)

(73) Assignee: **DAIKIN INDUSTRIES LTD.**,
Osaka-Shi, Osaka-Fu (JP)

(**) Term: **15 Years**

(21) Appl. No.: **29/598,309**

(22) Filed: **Mar. 24, 2017**

(30) **Foreign Application Priority Data**

Sep. 30, 2016 (JP) 2016-021135

(51) **LOC (12) Cl.** **23-01**

(52) **U.S. Cl.**
USPC **D23/200; D7/397**

(58) **Field of Classification Search**
USPC D7/387, 397, 213, 412, 415; D23/200,
D23/314, 324, 325, 328, 332, 333, 336,
D23/351, 353, 355, 357
CPC F24F 1/00; F24F 3/00; F25D 17/00; F25D
17/02; F25D 17/06; F25D 31/00; F25D
1/00

See application file for complete search history.

(56) **References Cited**

U.S. PATENT DOCUMENTS

D540,452 S * 4/2007 Narayanamurthy D23/351
D605,271 S * 12/2009 Sata D23/351
D607,981 S * 1/2010 Yamaguchi D23/351
D617,886 S * 6/2010 Sata D23/351

D629,092 S * 12/2010 Tanno D23/351
D653,740 S * 2/2012 Satou D23/351
D681,181 S * 4/2013 Iovanel D23/351
D777,893 S * 1/2017 Kato D23/351
9,795,895 B2 * 10/2017 Dorfman B01D 5/0051
D804,000 S * 11/2017 Nomura D23/351
D814,002 S * 3/2018 Morikawa D23/351
D822,150 S * 7/2018 Tieleman D23/200
D822,788 S * 7/2018 Tieleman D23/200
D822,790 S * 7/2018 Tieleman D23/200
10,077,933 B2 * 9/2018 Nelson F25D 21/08

* cited by examiner

Primary Examiner — Derrick E Holland

Assistant Examiner — Andrew Kerr

(74) *Attorney, Agent, or Firm* — Manabu Kanesaka

(57) **CLAIM**

The ornamental design for a water chilling unit, as shown and described.

DESCRIPTION

FIG. 1 is a front, top and left side perspective view of a water chilling unit showing my new design;
FIG. 2 a front, top and right side perspective view thereof;
FIG. 3 is a front elevation view thereof;
FIG. 4 is a rear elevation view thereof;
FIG. 5 is a top plan view thereof;
FIG. 6 is a bottom plan view thereof;
FIG. 7 is a left side elevation view thereof; and,
FIG. 8 is a right side elevation view thereof.
The broken lines showing portions of the water chilling unit are for purpose of illustrating environmental structure only and forms no part of claimed design.

1 Claim, 6 Drawing Sheets

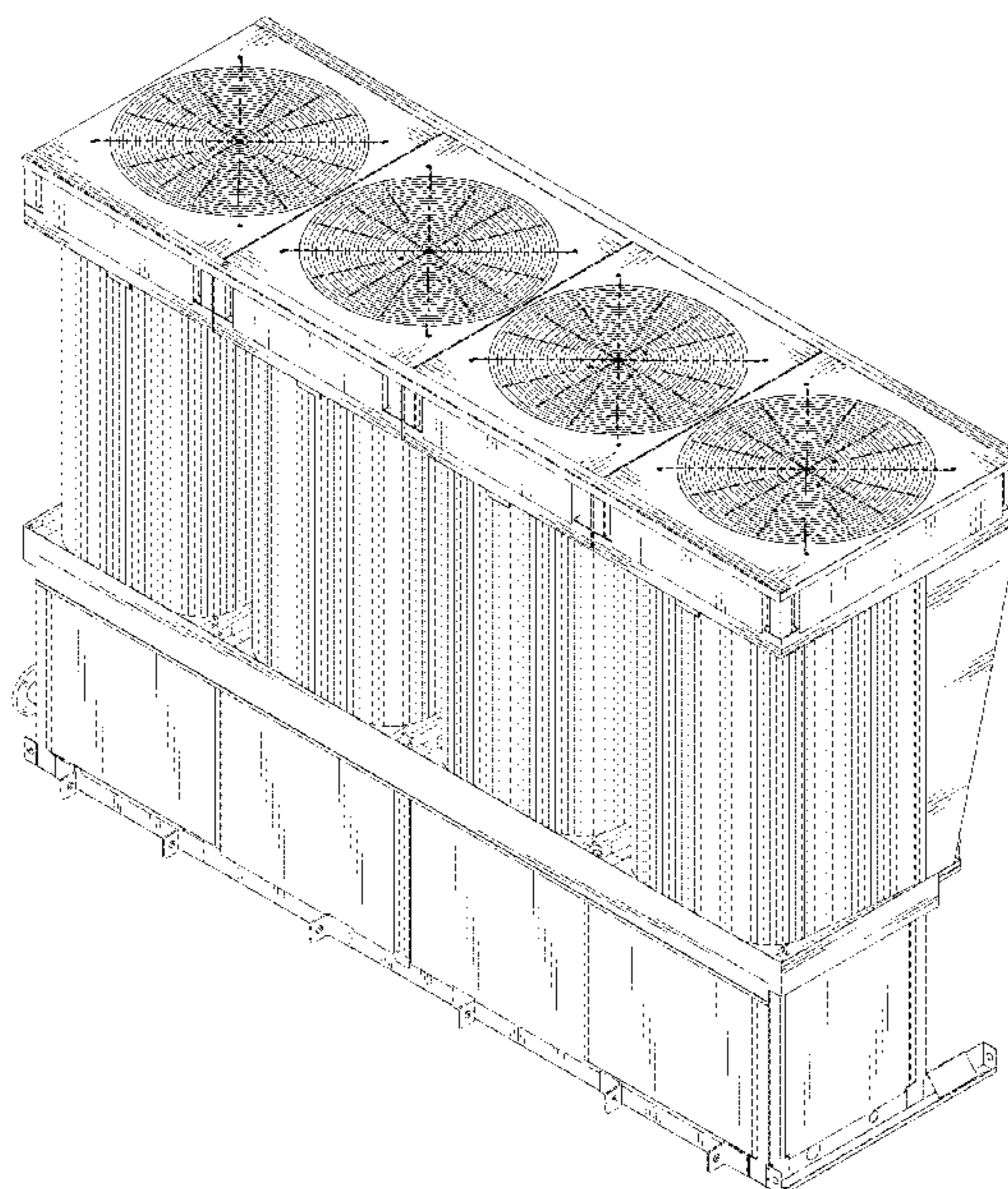
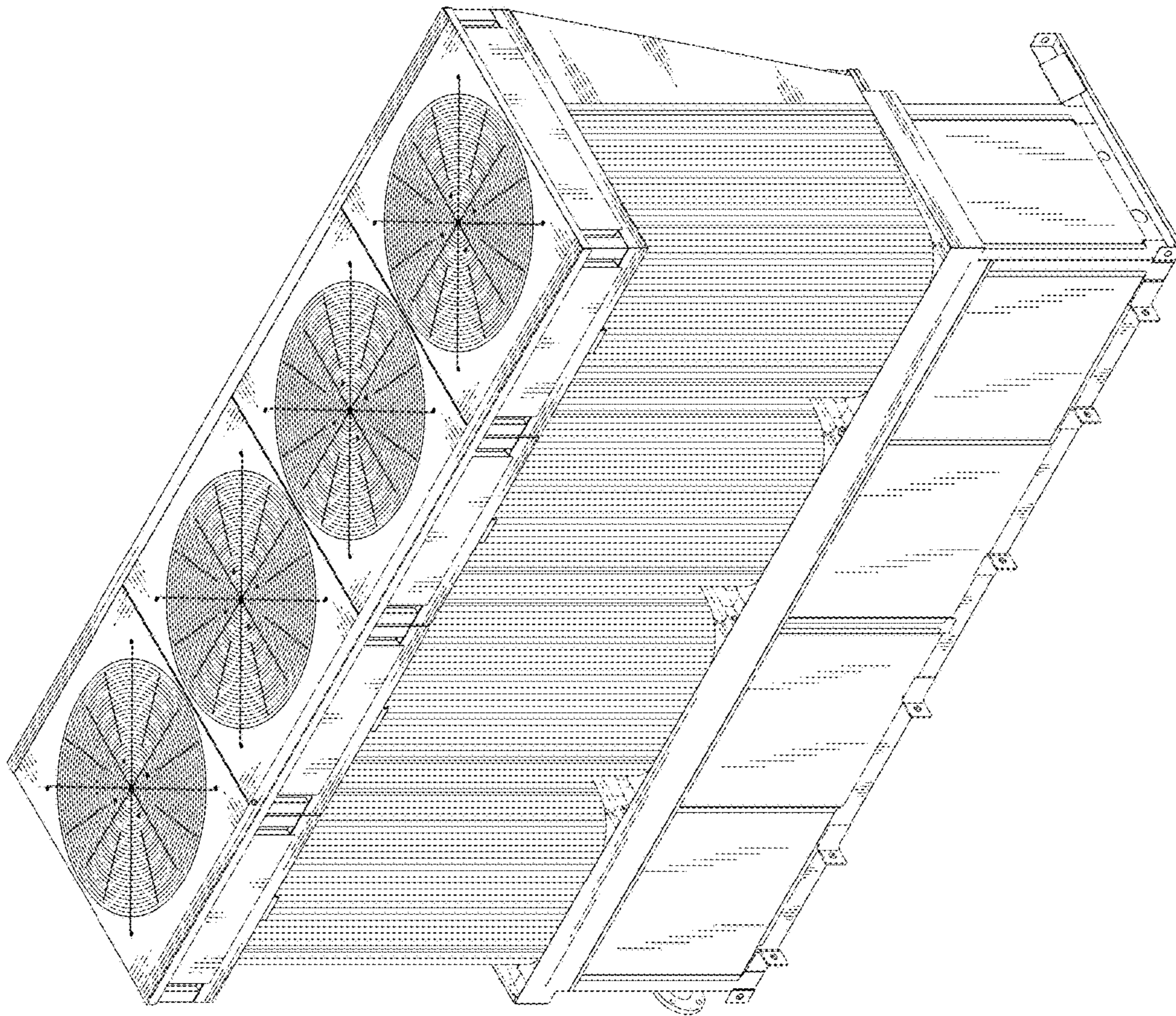


Fig. 1



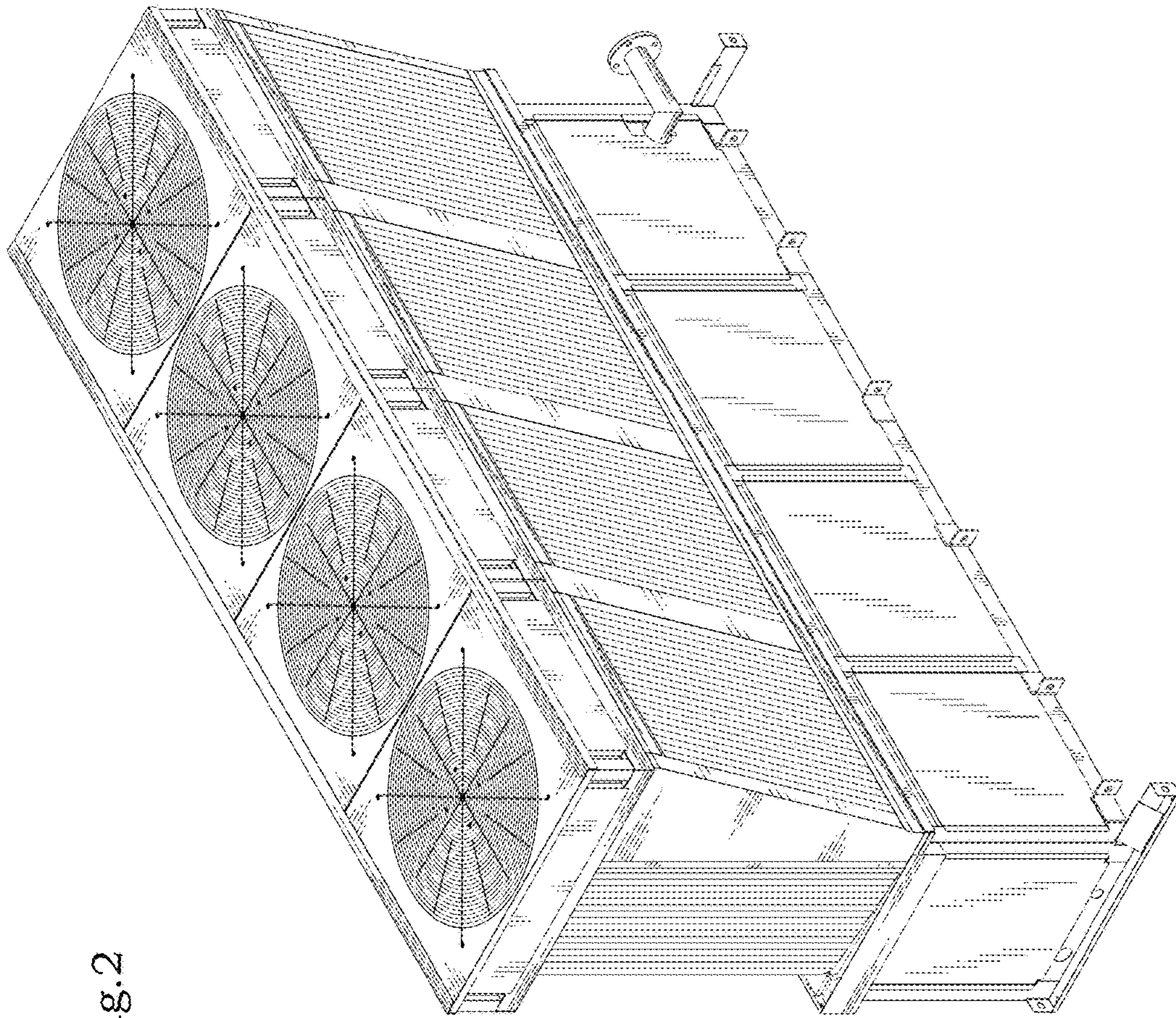


Fig. 2

Fig.4

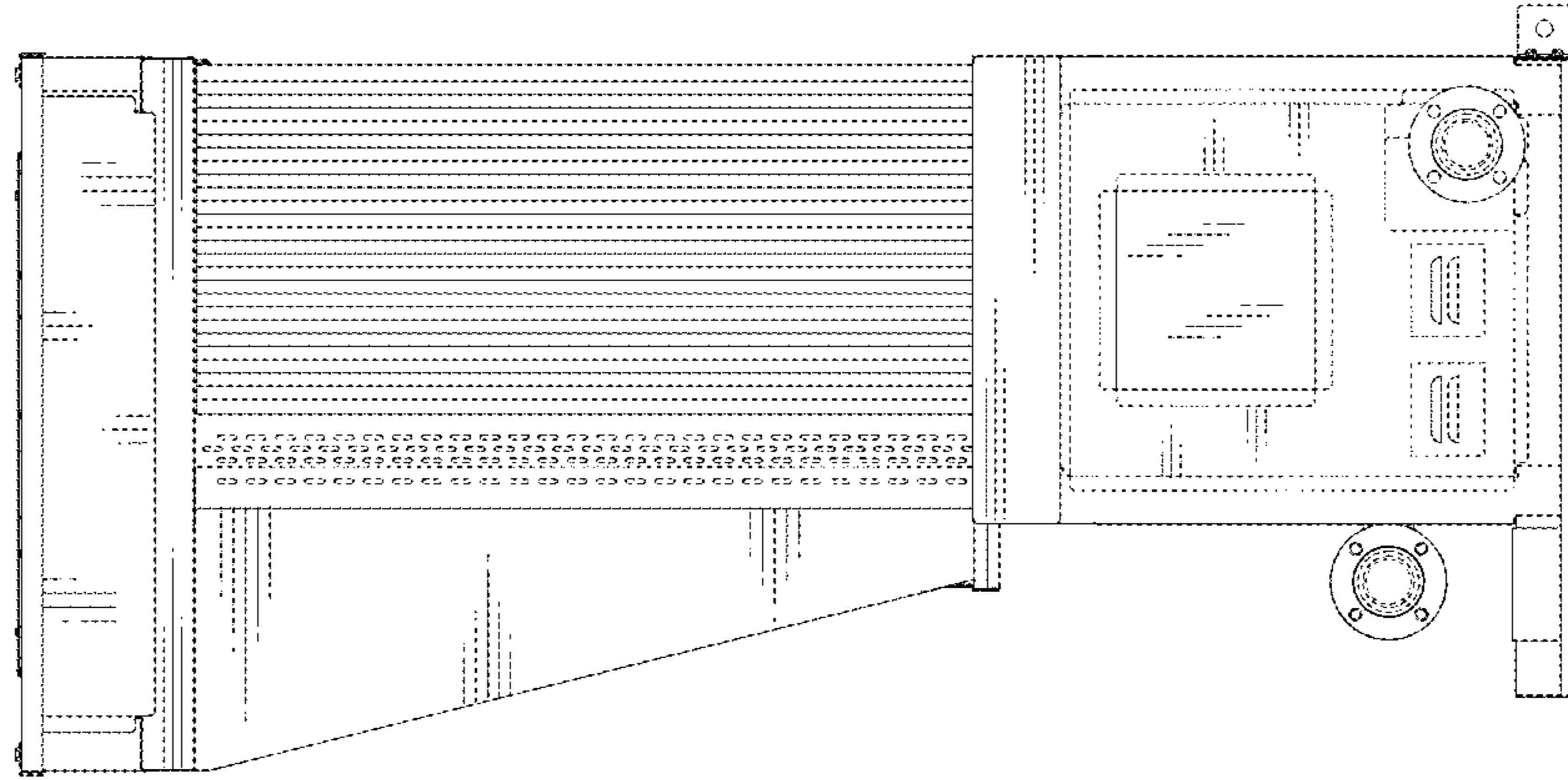


Fig.3

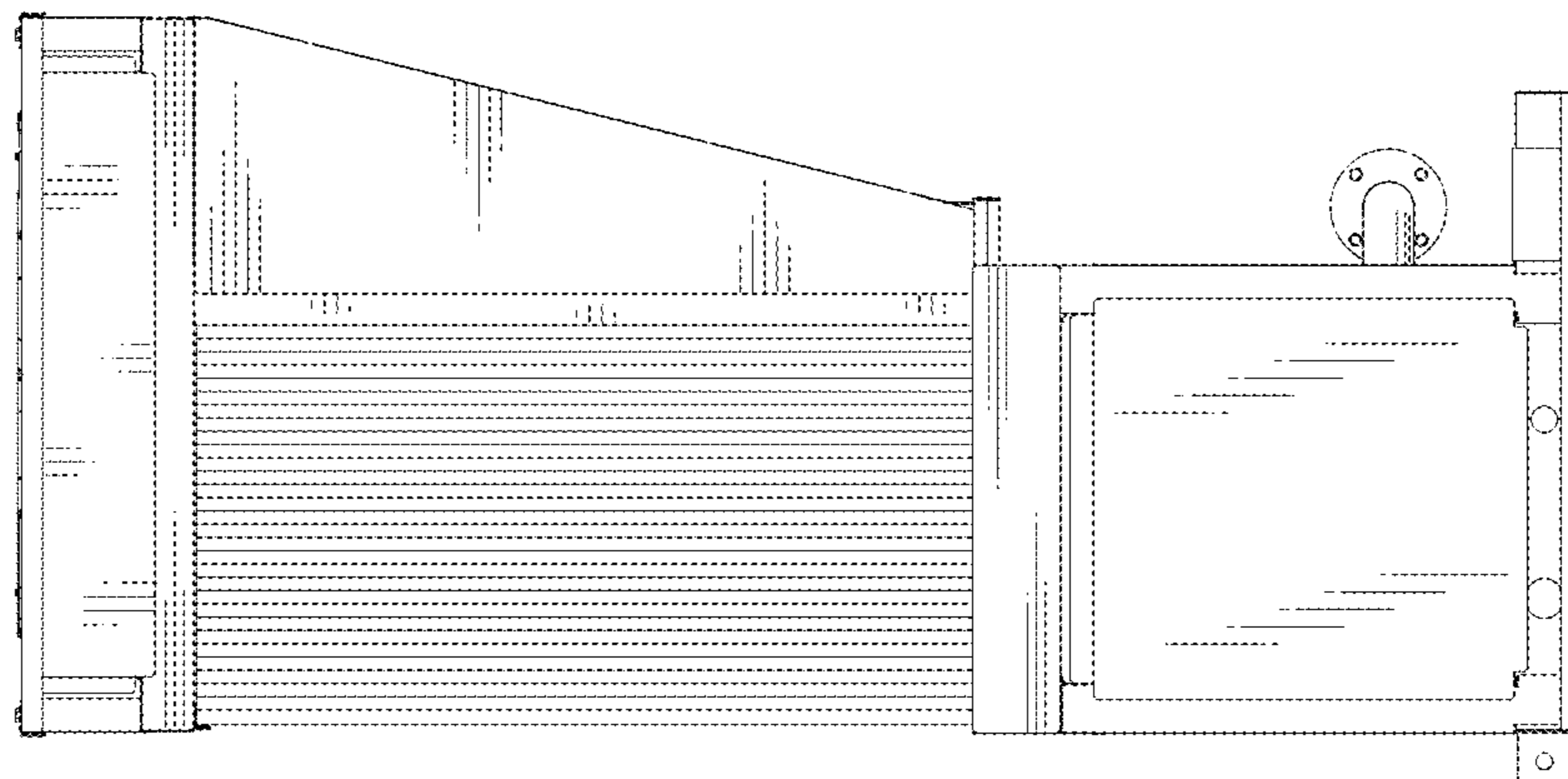


Fig.6

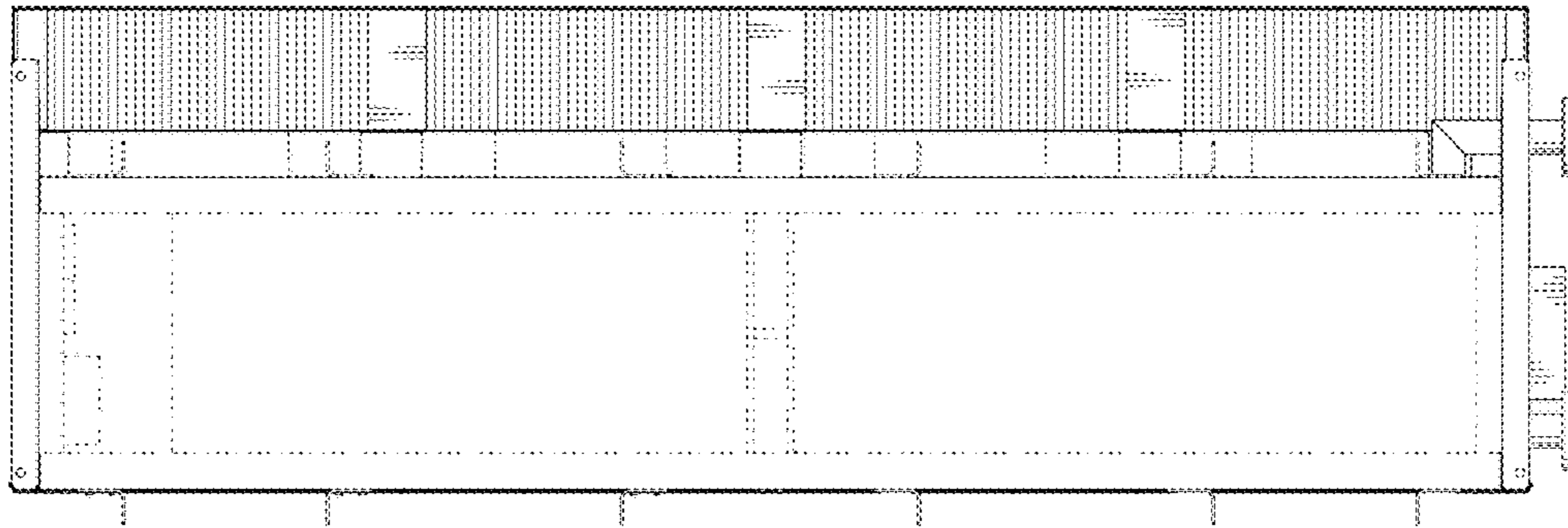


Fig.5

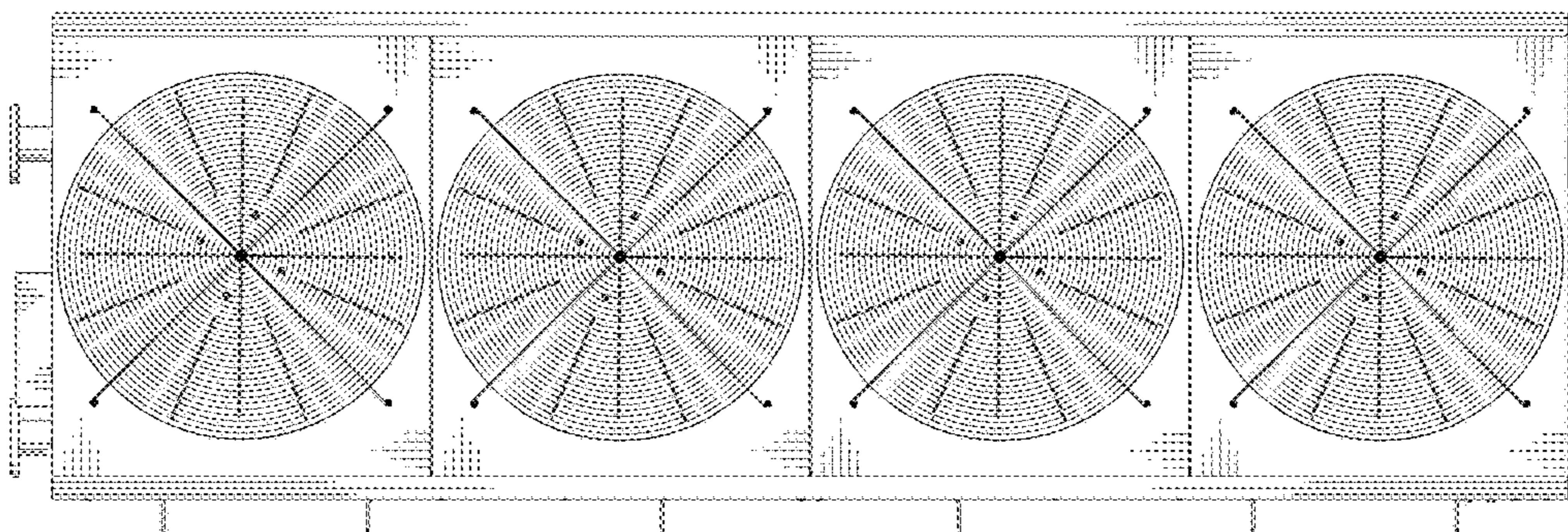


Fig. 7

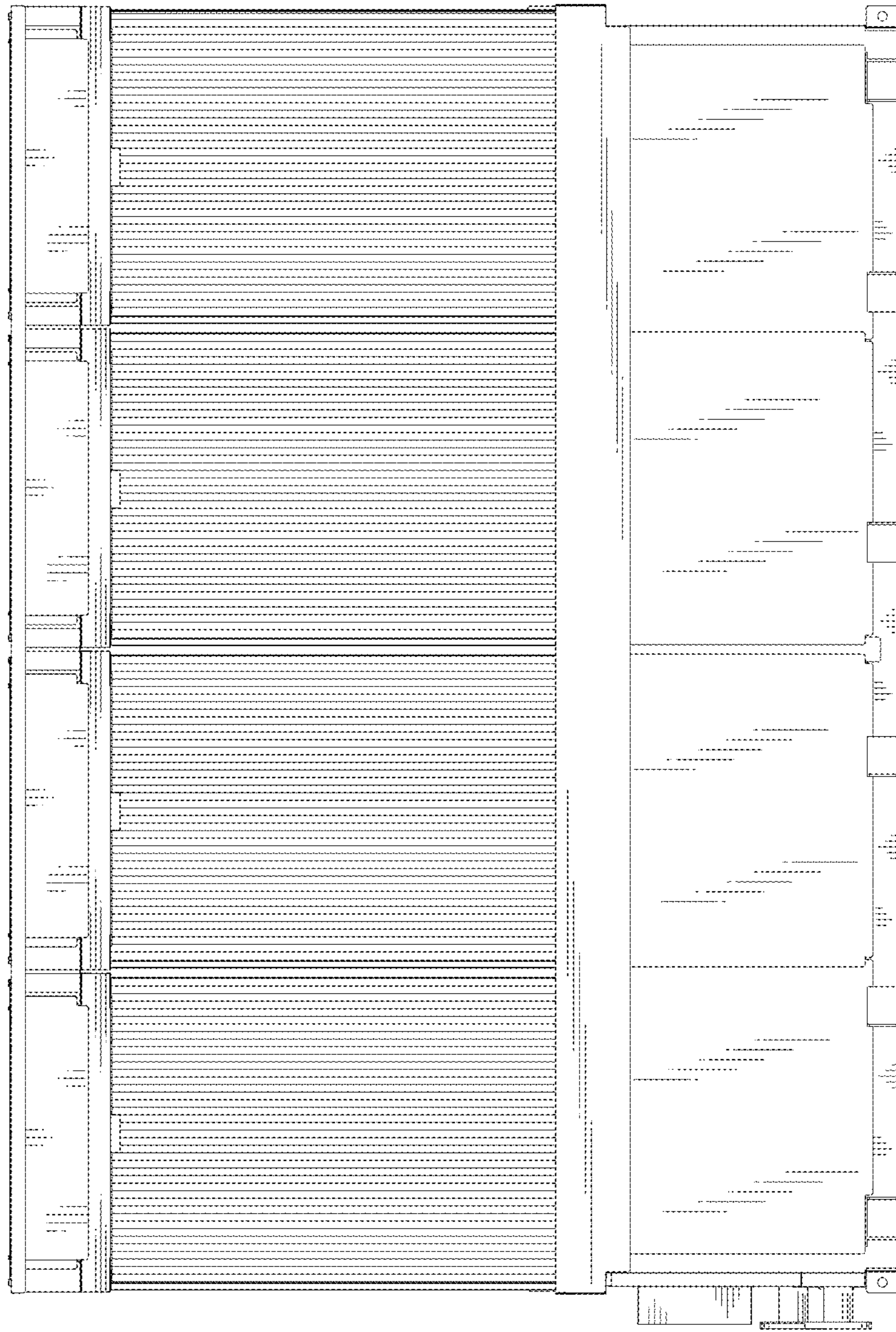


Fig. 8

