



US00D856467S

(12) **United States Design Patent** (10) **Patent No.:** **US D856,467 S**
Bishop (45) **Date of Patent:** **** Aug. 13, 2019**

(54) **INSECT TRAP**
(71) Applicant: **Casey J. Bishop**, Redding, CA (US)
(72) Inventor: **Casey J. Bishop**, Redding, CA (US)
(**) Term: **15 Years**
(21) Appl. No.: **29/645,670**
(22) Filed: **Apr. 27, 2018**
(51) **LOC (12) Cl.** **22-06**
(52) **U.S. Cl.**
USPC **D22/122**
(58) **Field of Classification Search**
USPC D22/119-124; 43/107, 112-114, 122,
43/128, 131, 132.1, 133; 362/147;
D26/1-4; D32/53.1, 54
CPC A01M 1/145; A01M 1/04; A01M 1/223;
A01M 1/2016; A01M 2200/01; A01M
2200/011; A01M 2200/012
See application file for complete search history.

(56) **References Cited**

U.S. PATENT DOCUMENTS

4,876,822 A * 10/1989 White A01M 1/145
43/113
D325,954 S * 5/1992 Lazzeroni, Sr. D22/123
D335,912 S * 5/1993 Brown D22/119
5,365,690 A * 11/1994 Nelson A01M 1/145
43/113
D357,762 S * 4/1995 Douglas D26/85
5,651,211 A * 7/1997 Regan A01M 1/145
43/113
D498,286 S * 11/2004 Loerakker D22/122
D589,585 S * 3/2009 Greening D22/122

8,572,890 B1 * 11/2013 Lark A01M 1/145
43/113
D818,559 S * 5/2018 Freudenberg D22/123
D825,024 S * 8/2018 Wingett D22/123
D845,572 S * 4/2019 Pollard D32/54
2002/0032980 A1 * 3/2002 Nelson A01M 1/145
43/113
2002/0078620 A1 * 6/2002 Nelson A01M 1/04
43/113
2003/0089024 A1 * 5/2003 Nelson A01M 1/145
43/113
2009/0288333 A1 * 11/2009 Johnston A01M 1/145
43/113

* cited by examiner

Primary Examiner — Catherine R Oliver-Garcia
(74) *Attorney, Agent, or Firm* — Douglas L. Weller

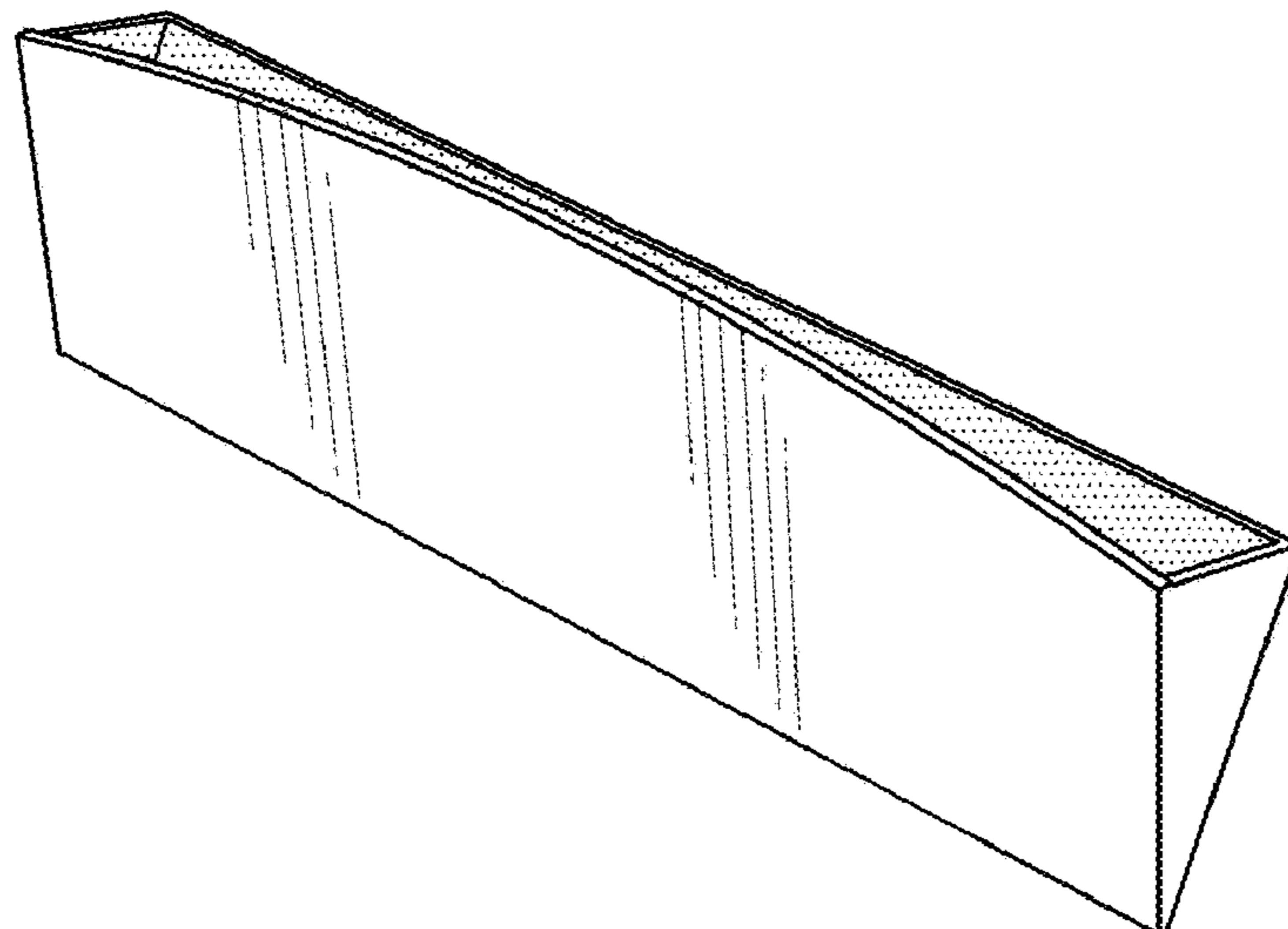
(57) **CLAIM**

The ornamental design for an insect trap, as shown and described.

DESCRIPTION

FIG. 1 is a front right top perspective view of the insect trap.
FIG. 2 is a rear right top perspective view thereof.
FIG. 3 is a rear right top perspective view thereof.
FIG. 4 is a front elevational view thereof.
FIG. 5 is a rear elevational view thereof.
FIG. 6 is a right side elevational view thereof.
FIG. 7 is a left side elevational view thereof.
FIG. 8 is a top plan view thereof; and,
FIG. 9 is a bottom plan view thereof.
In the drawings, the broken lines are included only for the purpose of illustrating environment and form no part of the claimed design.

1 Claim, 4 Drawing Sheets



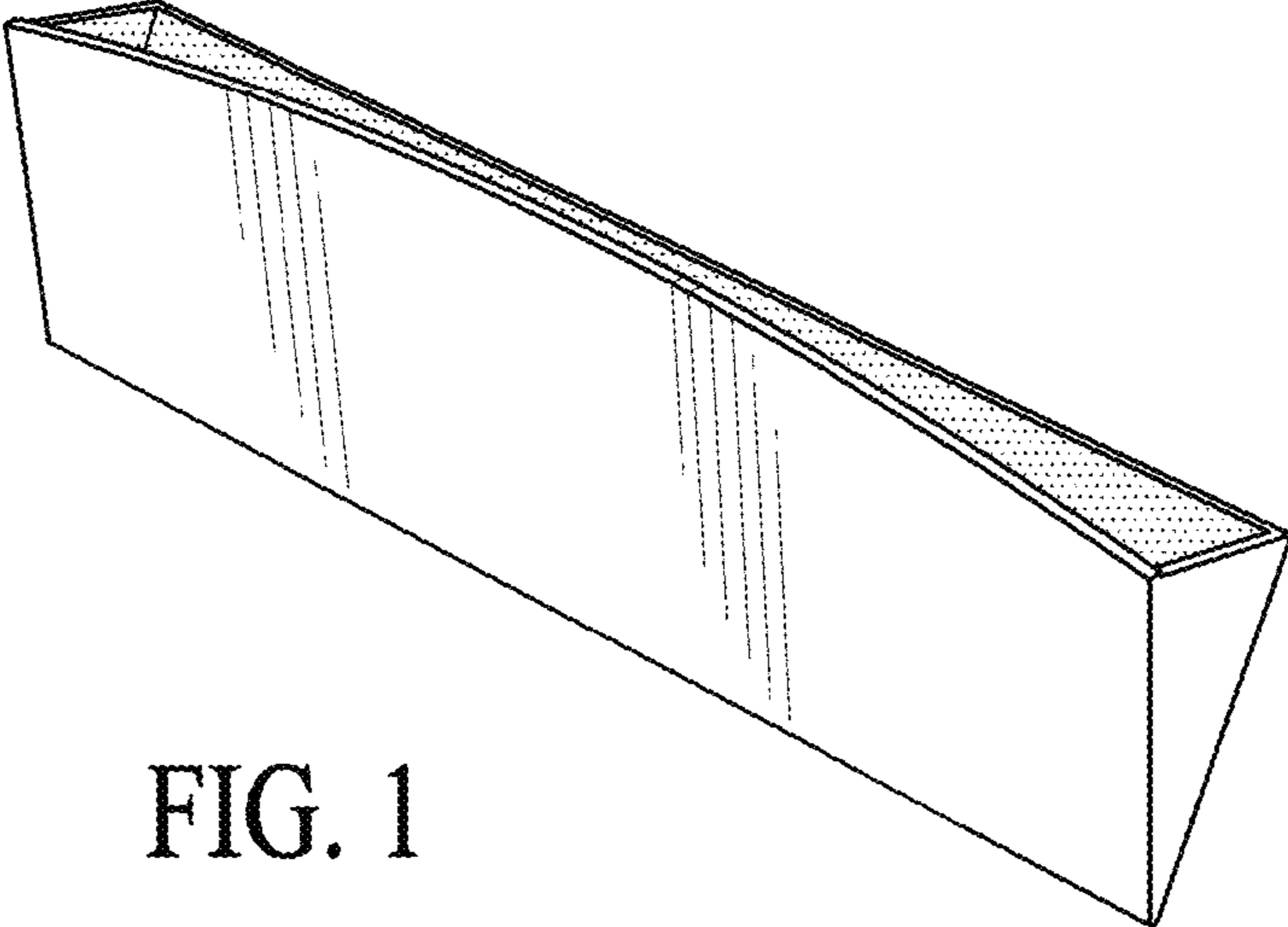


FIG. 1

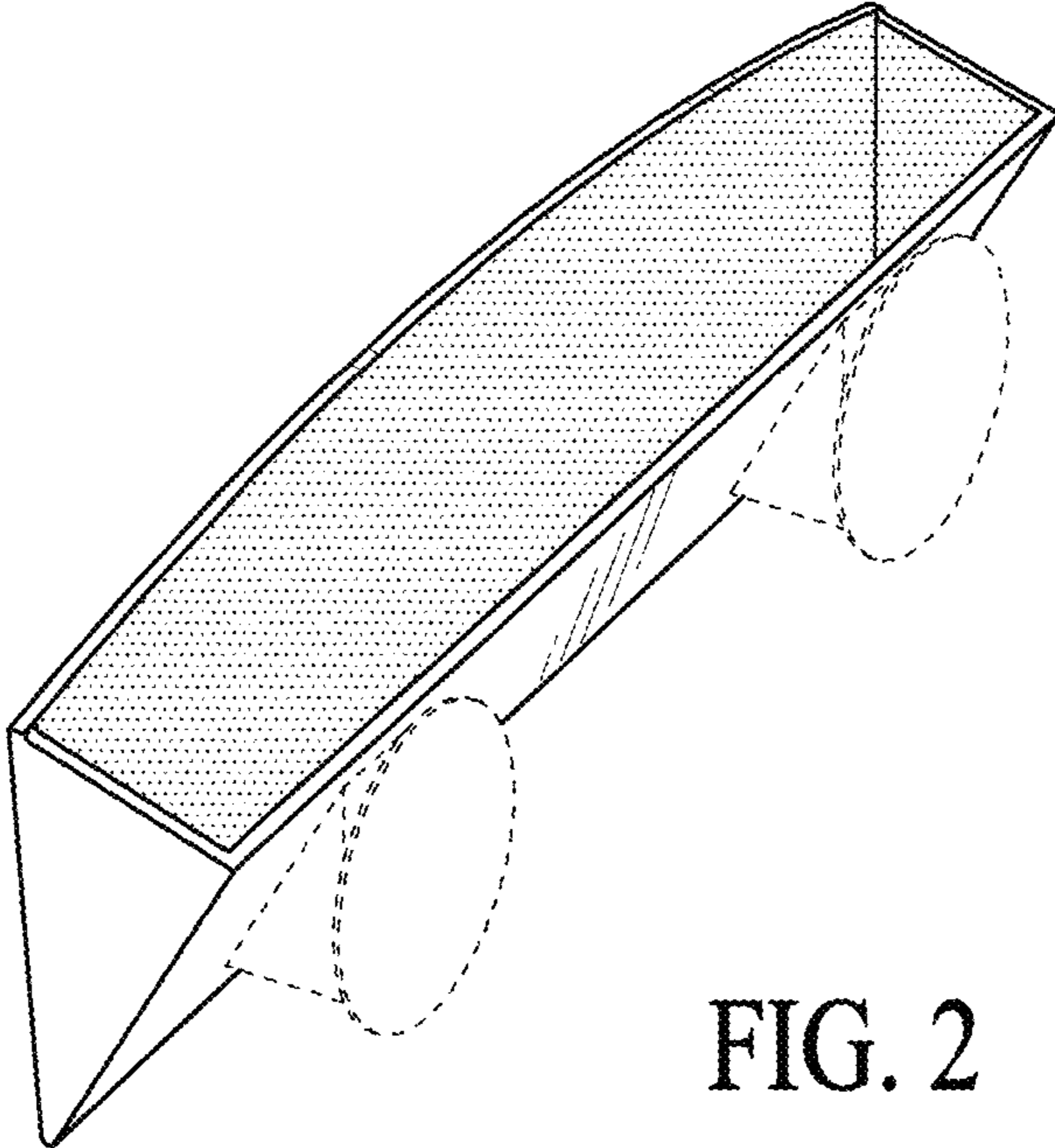


FIG. 2

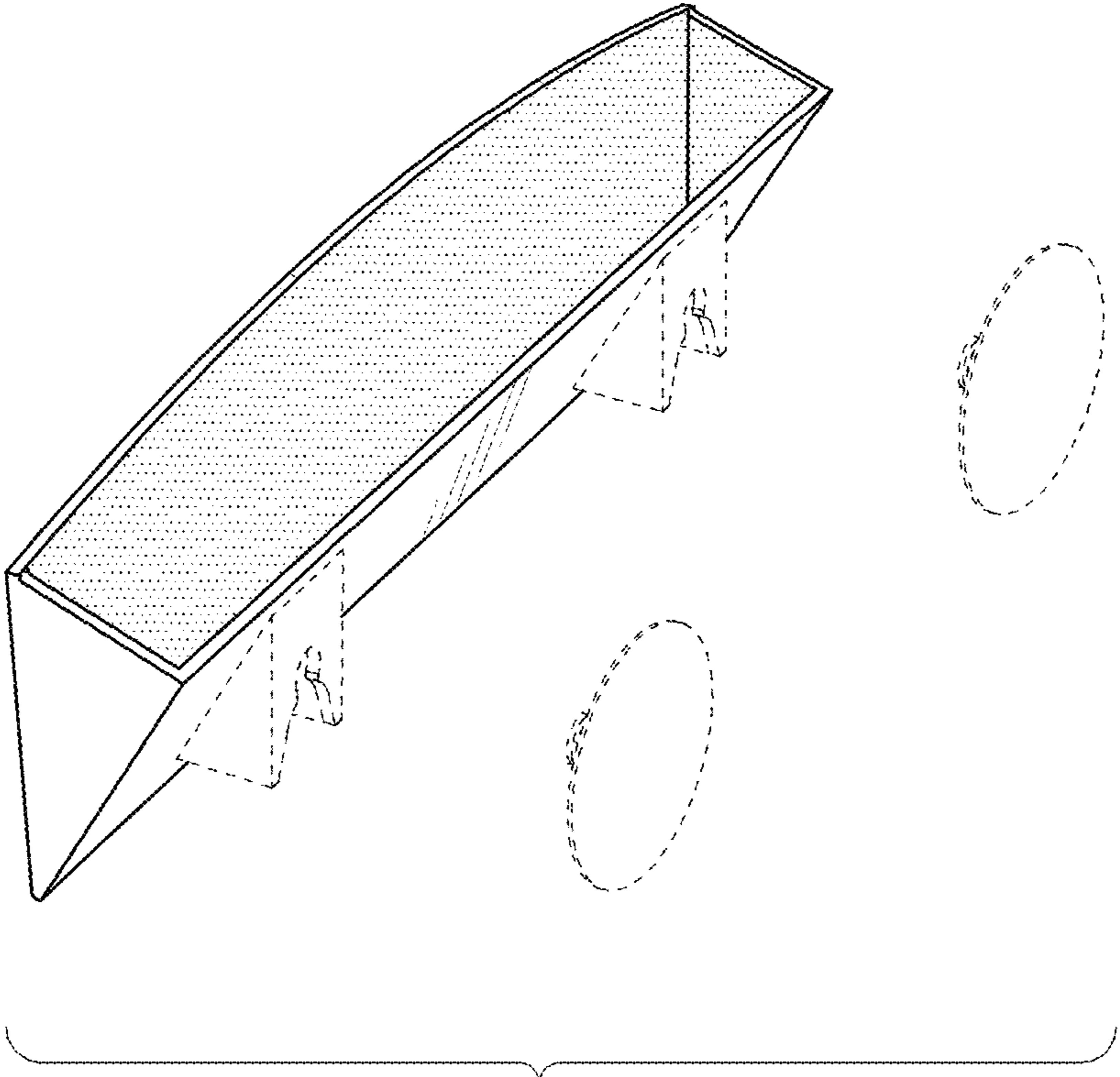


FIG. 3

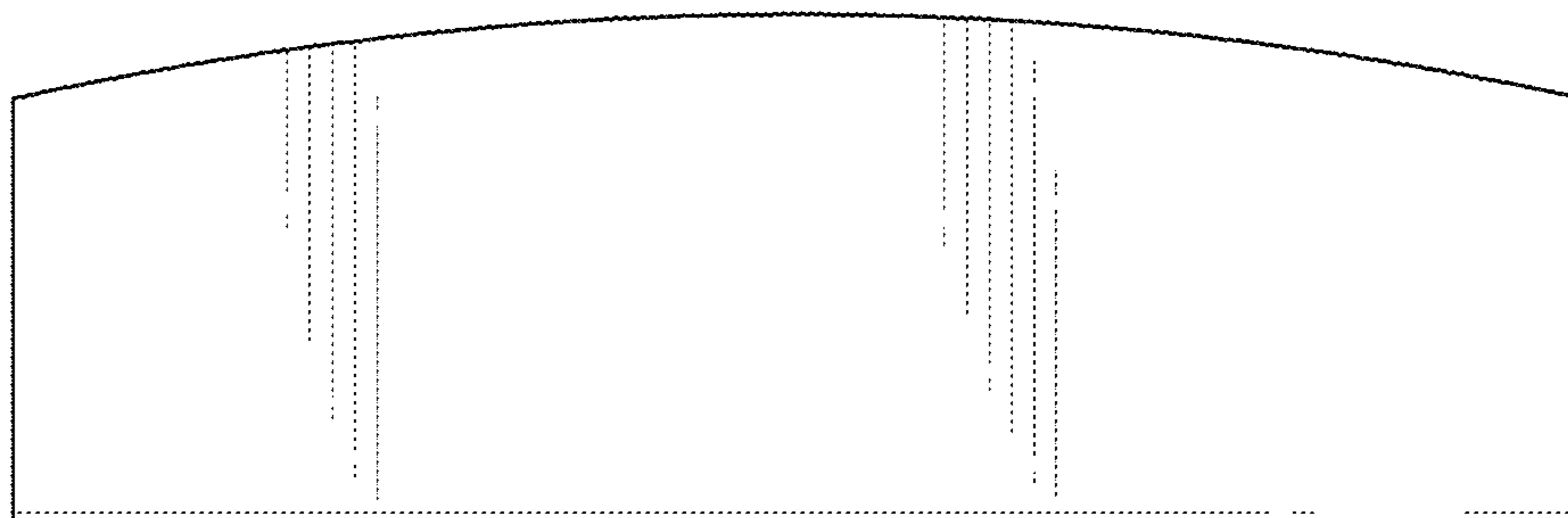


FIG. 4

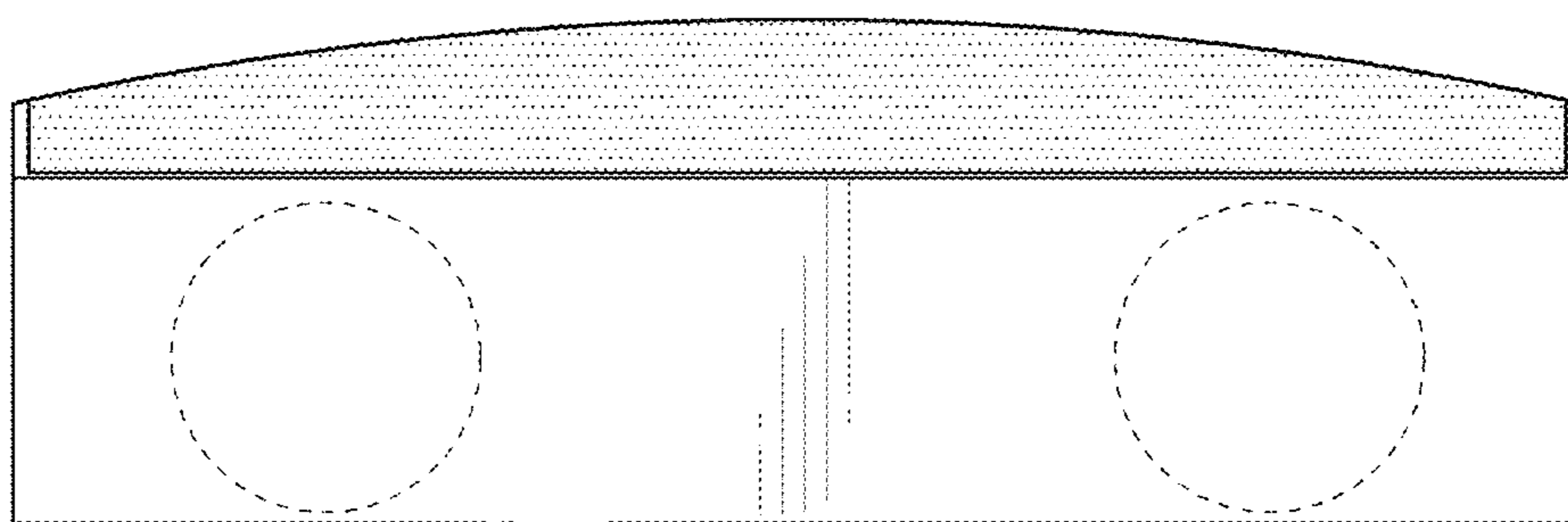


FIG. 5

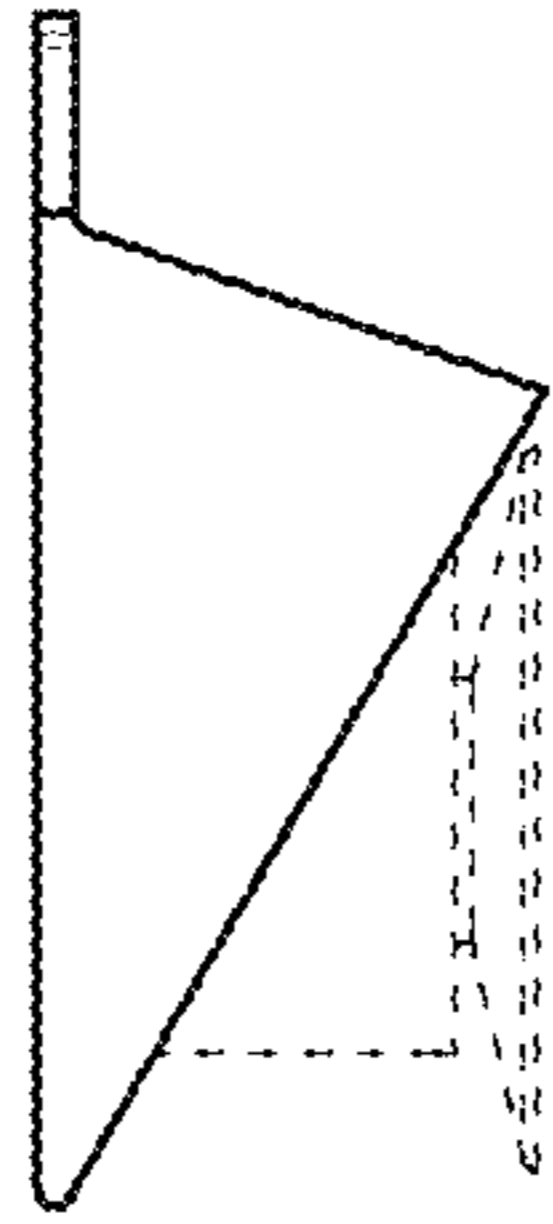


FIG. 6

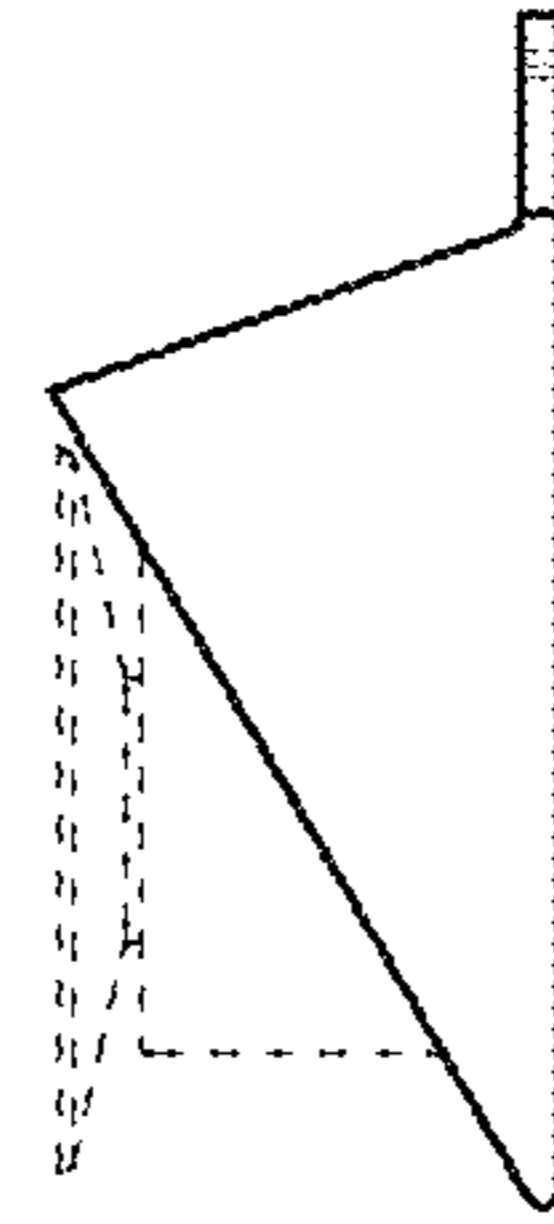


FIG. 7

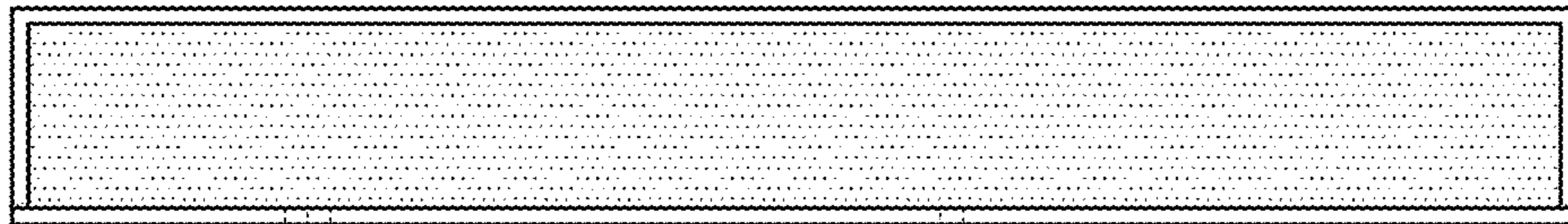


FIG. 8

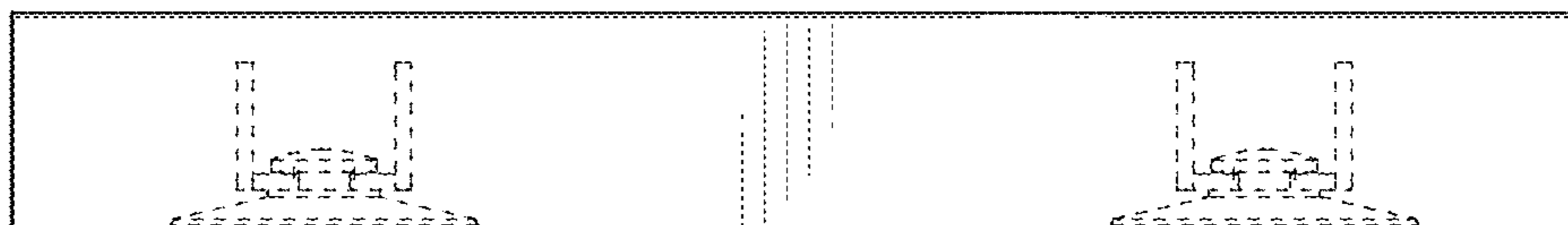


FIG. 9