



US00D856463S

(12) **United States Design Patent** (10) **Patent No.:** **US D856,463 S**
Robinson et al. (45) **Date of Patent:** **** Aug. 13, 2019**

- (54) **SHEATH** 5,001,834 A 3/1991 Collins
- (71) Applicant: **WHG Properties, LLC**, North Wales, PA (US) D317,037 S 5/1991 Koshiishi
- (72) Inventors: **Frank E. Robinson**, Schwenksville, PA (US); **William H. Geissele**, Lower Gwynedd, PA (US) D321,548 S * 11/1991 Collins D22/118
- (73) Assignee: **WHG Properties, LLC**, North Wales, PA (US) 5,086,561 A 2/1992 Nathan
- (**) Term: **15 Years** 5,255,436 A 4/1993 Collins
- (21) Appl. No.: **29/671,613** 5,379,520 A * 1/1995 Collins B26B 29/025 224/232
- (22) Filed: **Nov. 28, 2018** D369,673 S * 5/1996 Morton D3/220

Related U.S. Application Data

- (62) Division of application No. 29/589,089, filed on Dec. 28, 2016.
- (51) **LOC (12) Cl.** **22-02**
- (52) **U.S. Cl.**
USPC **D22/118**
- (58) **Field of Classification Search**
USPC D22/118, 117; D3/220; 30/151, 162; D8/98, 99
CPC A45F 5/14; A45F 5/021; A45F 2200/0591; B26B 29/025; Y10S 224/904
See application file for complete search history.

References Cited

U.S. PATENT DOCUMENTS

- 2,999,268 A 9/1961 Strandengen
- 3,191,825 A 6/1965 Beckwith
- 4,835,863 A * 6/1989 Salandre B26B 29/025 224/232
- 4,964,554 A 10/1990 Collins
- 4,998,350 A 3/1991 Thompson

(Continued)

Primary Examiner — David G Muller
(74) *Attorney, Agent, or Firm* — Fox Rothschild LLP

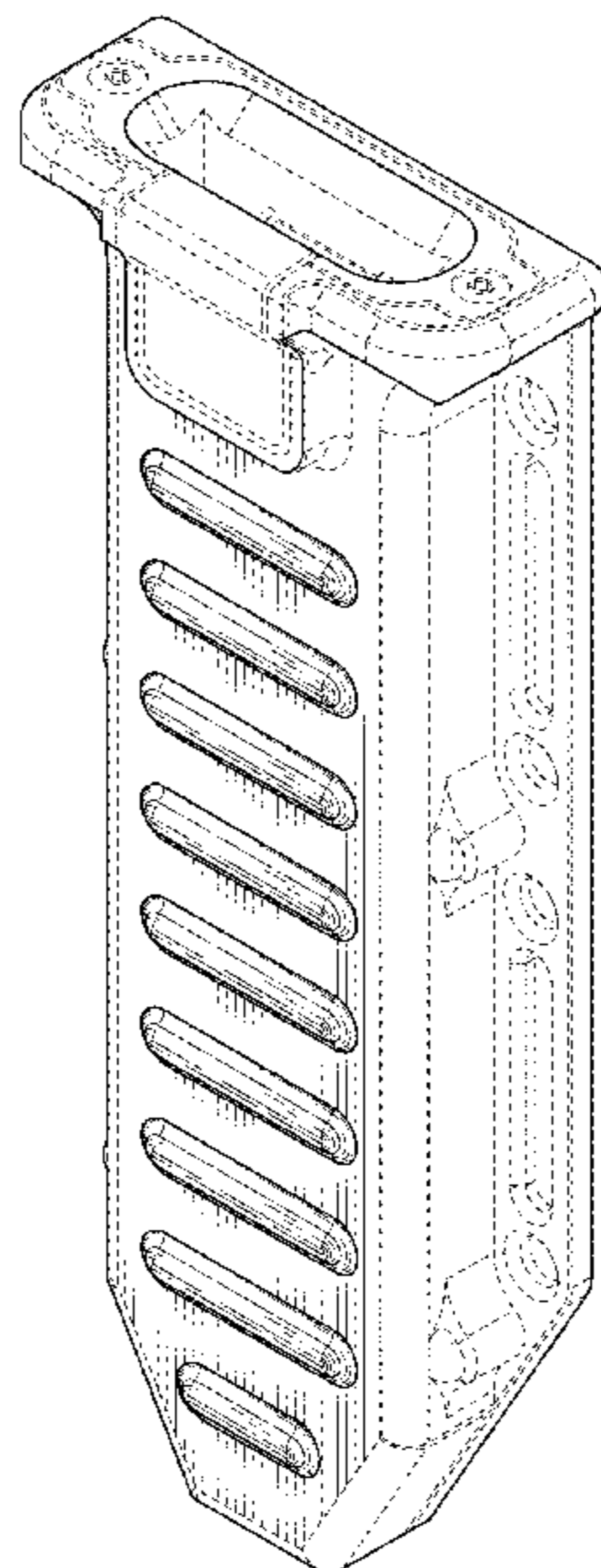
(57) **CLAIM**

The ornamental design for a sheath, as shown and described.

DESCRIPTION

FIG. 1 is a top, front, right side perspective view of a sheath according to the present disclosure.
 FIG. 2 is a front view of the sheath of FIG. 1.
 FIG. 3 is a rear view of the sheath of FIG. 1.
 FIG. 4 is a left side view of the sheath of FIG. 1.
 FIG. 5 is a right side view of the sheath of FIG. 1.
 FIG. 6 is a top view of the sheath of FIG. 1.
 FIG. 7 is a bottom view of the sheath of FIG. 1; and,
 FIG. 8 is a top, rear, right side perspective view of the sheath of FIG. 1.
 The broken lines in the Figures illustrate portions of the article that form no part of the claimed design.

1 Claim, 6 Drawing Sheets



(56)

References Cited

U.S. PATENT DOCUMENTS

D610,646 S	2/2010	Harsey, Jr. et al.	
D704,793 S	5/2014	Dahan	
D709,982 S	7/2014	Freeman et al.	
D714,047 S *	9/2014	Ko	D3/220
D724,312 S *	3/2015	Wikstrom	D3/220
D746,585 S *	1/2016	Burge	D3/220
D809,786 S	2/2018	Dingel	
D813,341 S	3/2018	Jaramus et al.	
D816,431 S *	5/2018	Yeh	D7/638
D831,953 S *	10/2018	Dobbs	D3/220
2003/0085244 A1	5/2003	Parsons	
2013/0026054 A1	1/2013	Adams	

* cited by examiner

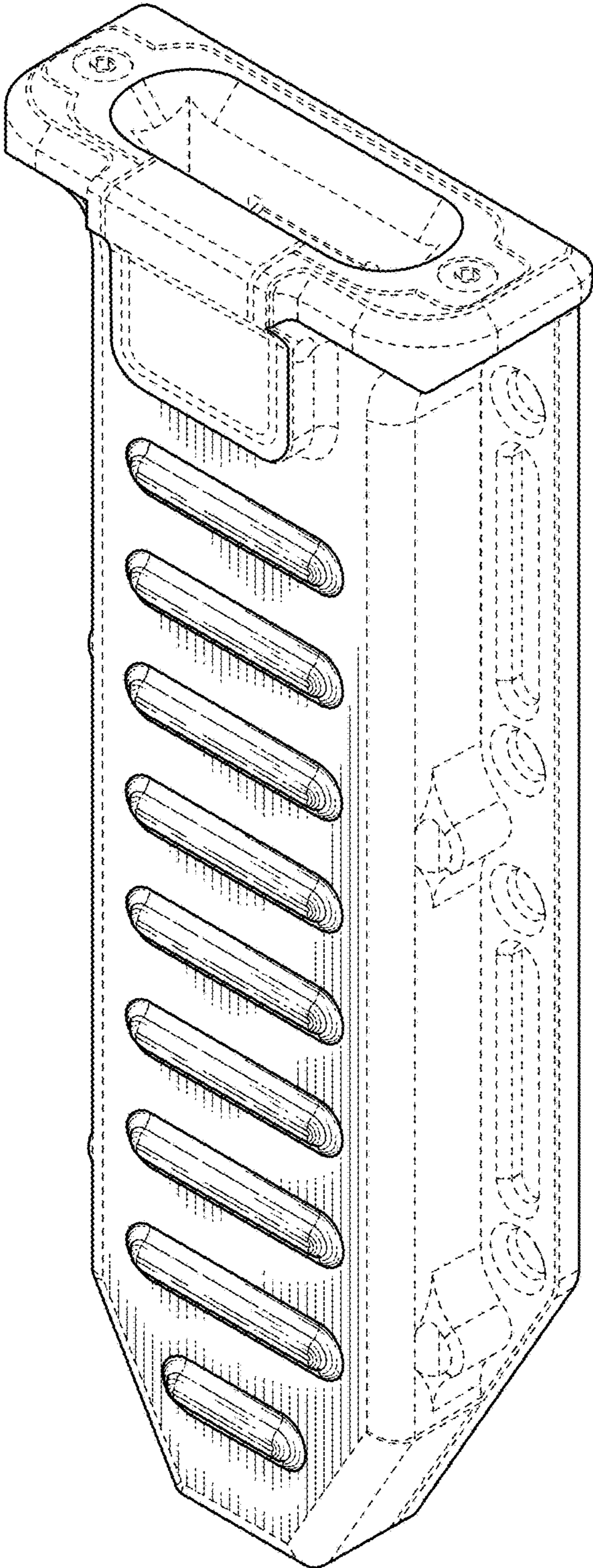


FIG. 1

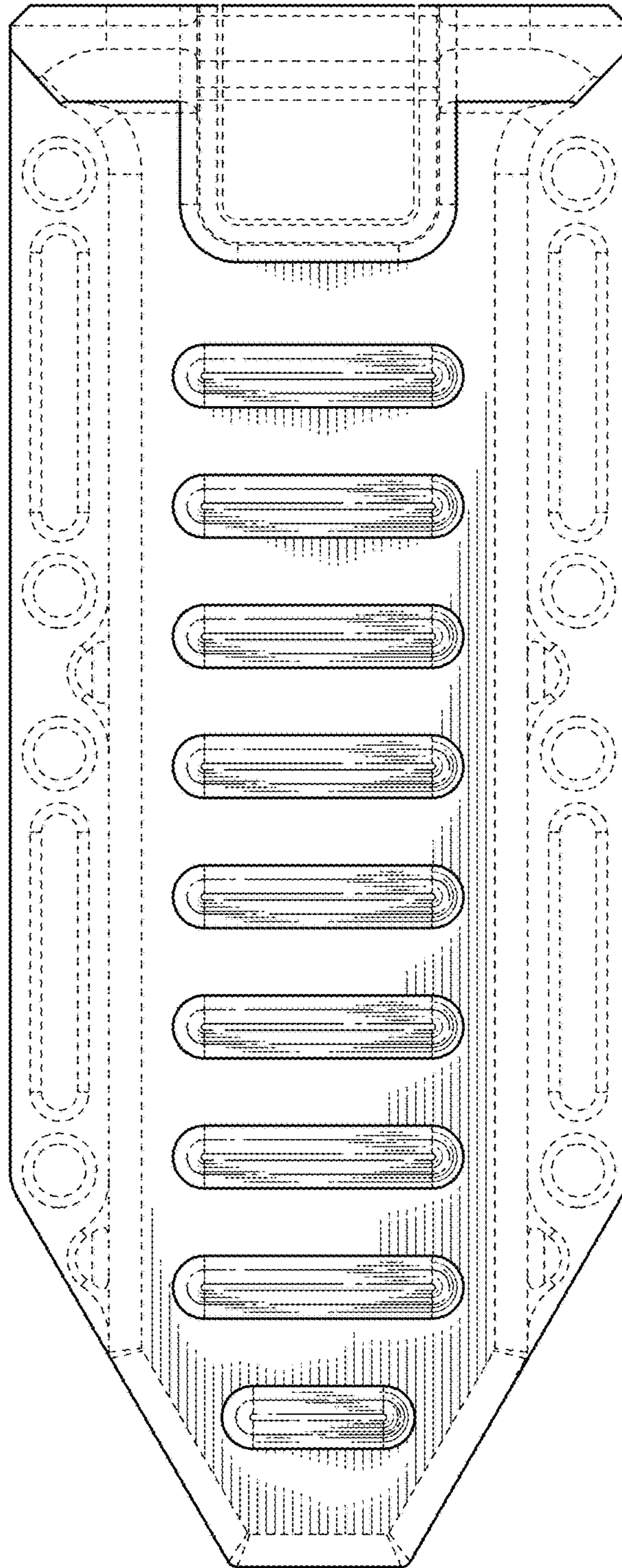


FIG. 2

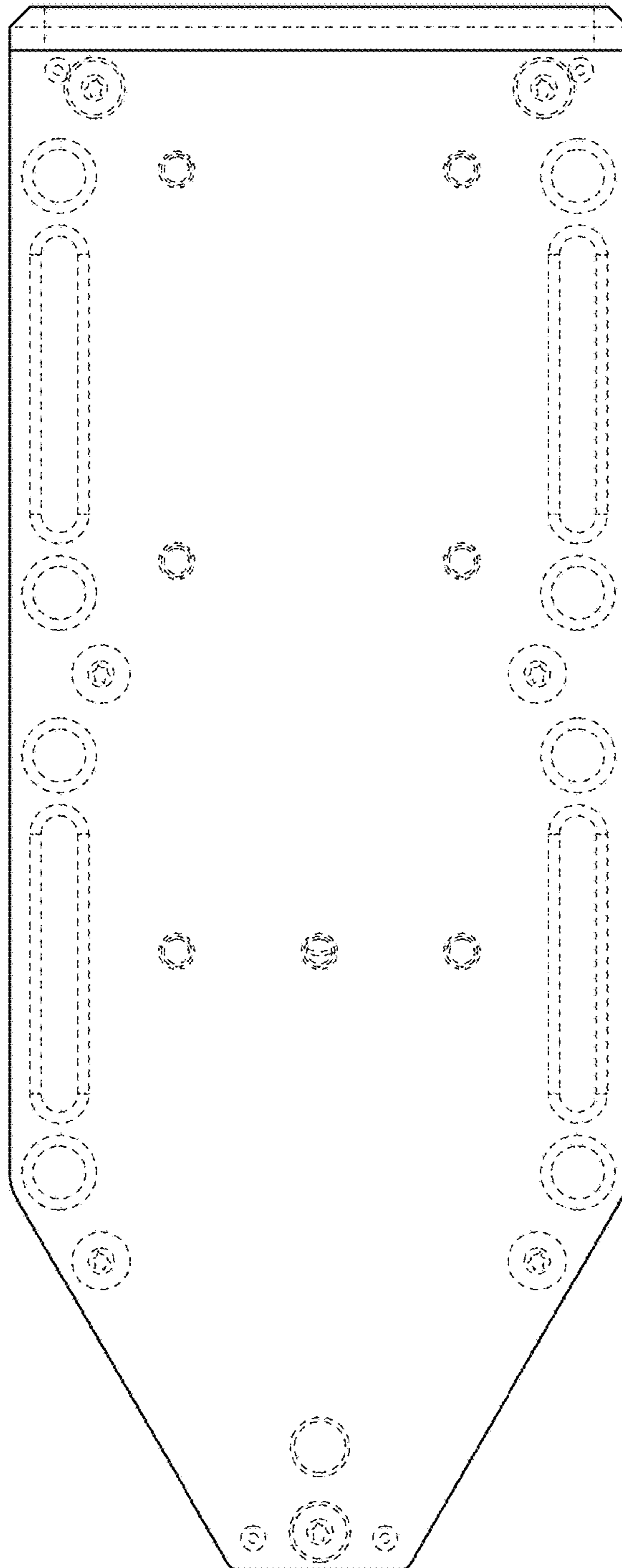


FIG. 3

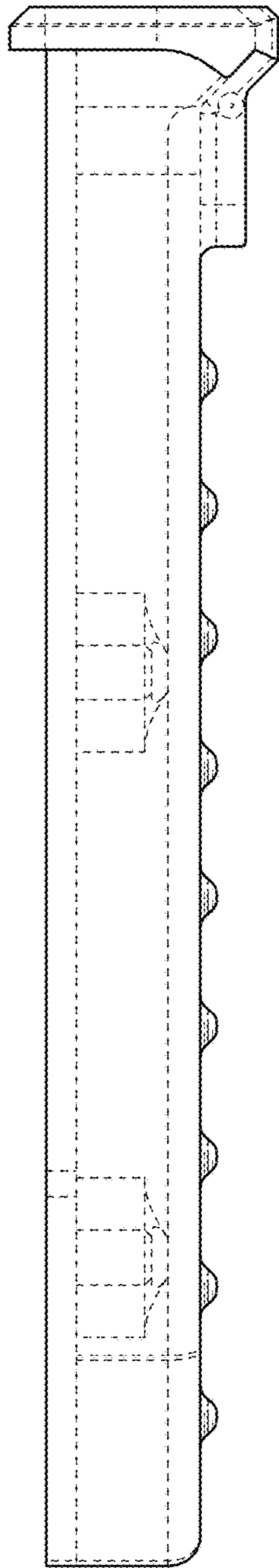


FIG. 4

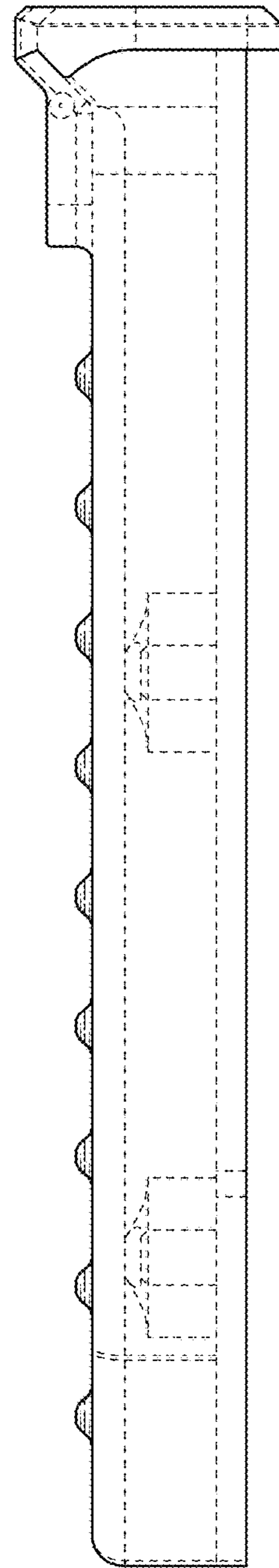


FIG. 5

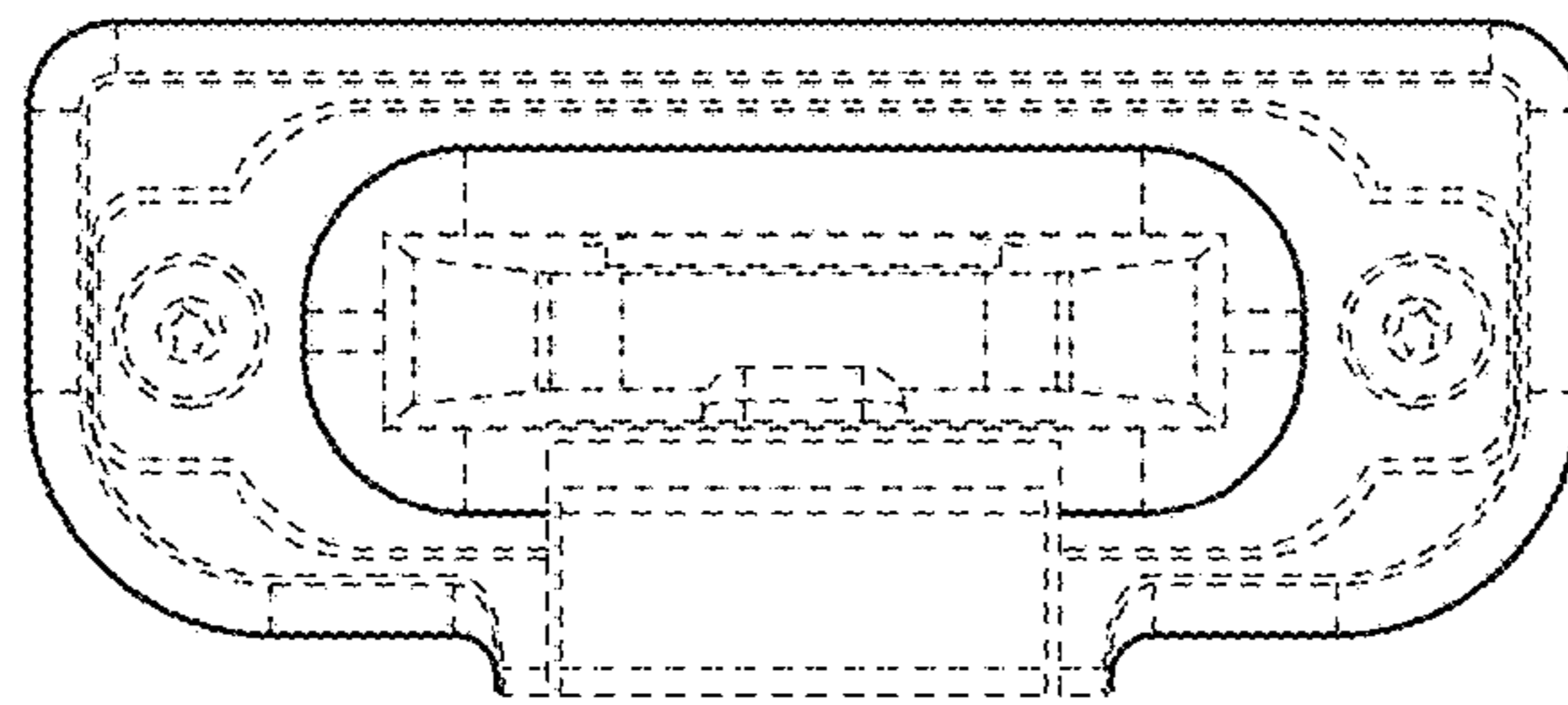


FIG. 6

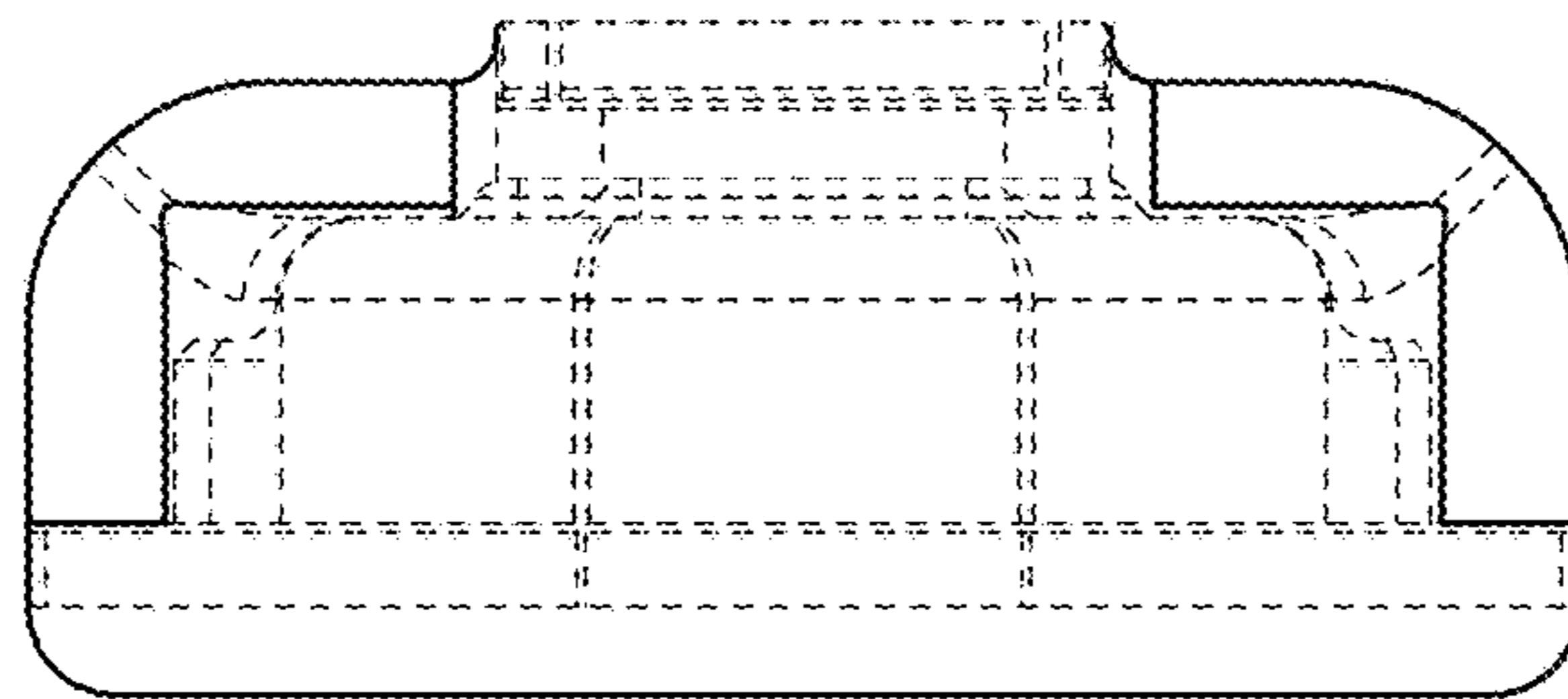


FIG. 7

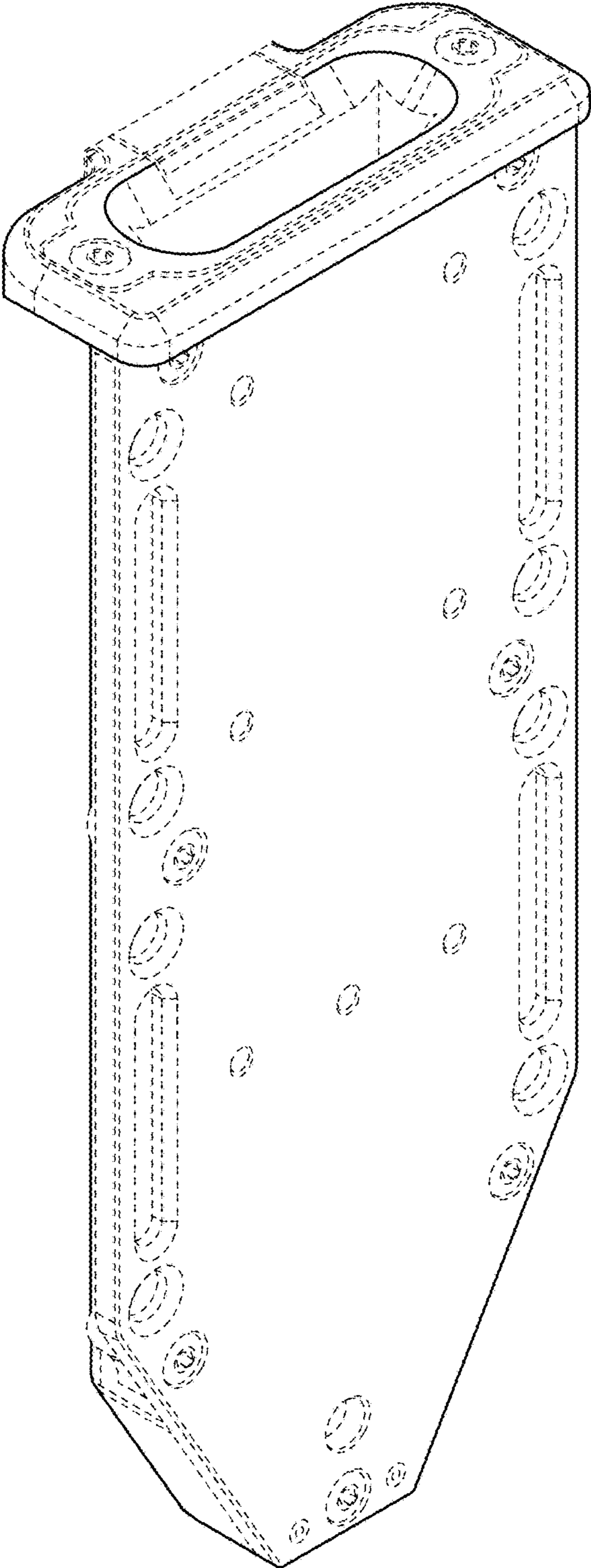


FIG. 8