



US00D856462S

(12) **United States Design Patent** (10) **Patent No.:** **US D856,462 S**
Wilson (45) **Date of Patent:** **** Aug. 13, 2019**

(54) **TARGET**
(71) Applicant: **Wilson's Gun Shop, Inc**, Berryville, AR (US)
(72) Inventor: **Billy James Wilson**, Berryville, AR (US)
(73) Assignee: **Wilson's Gun Shop, Inc**, Berryville, AR (US)
(**) Term: **15 Years**
(21) Appl. No.: **29/604,043**
(22) Filed: **May 15, 2017**
(51) **LOC (12) Cl.** **22-04**
(52) **U.S. Cl.**
USPC **D22/113**
(58) **Field of Classification Search**
USPC D22/108-110, 113-114, 199; D21/302, D21/306, 307, 570, 573-575; D20/31, 41
CPC . F41J 1/00; F41J 1/02; F41J 5/00; F41J 5/12; F41J 5/14; F41J 5/16; F41J 7/02
See application file for complete search history.

5,676,378 A * 10/1997 West F41J 1/10 273/390
D500,788 S * 1/2005 Kaplan D19/1
D523,485 S * 6/2006 Massengale D20/31
D625,759 S * 10/2010 Miller D20/31
7,815,192 B1 * 10/2010 Kreiman F41J 9/02 273/390
D629,862 S * 12/2010 Kreiman D22/113
D650,444 S * 12/2011 Farver D20/31

(Continued)

OTHER PUBLICATIONS

AR500 Shooting Targets, posted at Spartan Armor Systems, review posted Feb. 13, 2017. Site visited Mar. 11, 2019. URL: <https://www.spartanarmorsystems.com/diy-triple-tap/> (Year: 2017).*
Miles, Plinker Dual Strike Pneumatic Targets, posted at The Firearm Blog, posting date Feb. 22, 2017. Site visited Mar. 11, 2019. URL: <https://www.thefirearmblog.com/blog/2017/02/22/plinker-dual-strike-pneumatic-targets/> (Year: 2017).*

(Continued)

Primary Examiner — Kevin K Rudzinski
Assistant Examiner — Kathleen L Jones

(57) **CLAIM**

I claim ornamental design for a target, as shown and described.

DESCRIPTION

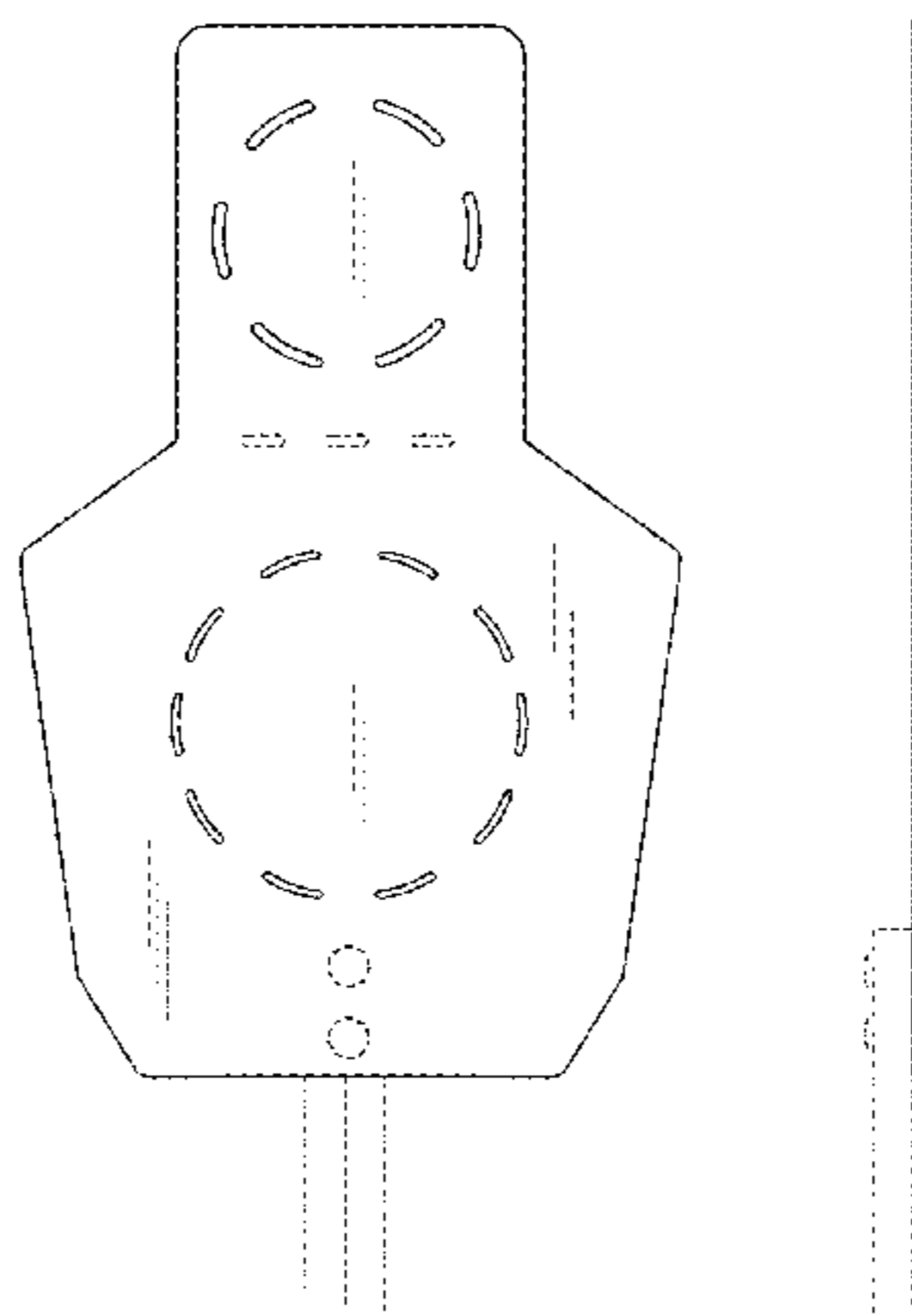
FIG. 1 is a perspective view of a target according to the present invention;
FIG. 2 is a front view of the target of FIG. 1;
FIG. 3 is a rear view of the target of FIG. 1;
FIG. 4 is a right-side view of the target of FIG. 1;
FIG. 5 is a left-side view of the target of FIG. 1;
FIG. 6 is a top view of the target of FIG. 1; and,
FIG. 7 is a bottom view of the target of FIG. 1.
The broken line showing is included for the purpose of illustrating portions of the target that form no part of the claimed design.

1 Claim, 5 Drawing Sheets

(56) **References Cited**

U.S. PATENT DOCUMENTS

D127,809 S * 6/1941 Meehan D20/31
2,587,042 A * 2/1952 Haiselup A63F 9/0204 273/127 R
D214,896 S * 8/1969 D'Agostino 273/348
4,052,058 A * 10/1977 Hintz A63F 9/0204 273/446
D283,148 S * 3/1986 Coyne D20/31
D316,571 S * 4/1991 Romero-Comas D20/29
D329,665 S * 9/1992 Carroll D21/306
D343,585 S * 1/1994 Strong D10/109.1
5,277,432 A * 1/1994 Bateman F41J 1/10 273/407
5,527,032 A * 6/1996 Coleman A63B 63/00 273/410
5,669,610 A * 9/1997 Salyers F41J 1/00 273/403



(56)

References Cited

U.S. PATENT DOCUMENTS

D686,668	S *	7/2013	Hodges	D20/31
8,534,672	B2 *	9/2013	Brune	F41J 7/04
					273/369
D712,003	S *	8/2014	Bailey	D22/113
D817,407	S *	5/2018	Melo	D21/302
2013/0106059	A1 *	5/2013	Larue	F41J 1/10
					273/407
2015/0362289	A1 *	12/2015	Spear	F41J 5/12
					434/23
2016/0076859	A1 *	3/2016	Chester	F41J 5/14
					273/386
2018/0321018	A1 *	11/2018	Wilson	F41J 1/01
2019/0041172	A1 *	2/2019	Kerley	F41J 5/14
2019/0063884	A1 *	2/2019	McBride	F41J 5/10

OTHER PUBLICATIONS

TFB Staffer, New Tactical Steel Target From Custom Metal Targets, posting date Aug. 11, 2015. Site visited Mar. 11, 2019. URL: <<https://www.thefirearmblog.com/blog/2015/08/11/new-tactical-steel-target-custom-metal-targets/>> (Year: 2015).*

White, Phil, Renaissance Steel Research (RSR) Ready Ship Target (RST), posted at The Firearm Blog, posting date Mar. 7, 2016. URL: <<https://www.thefirearmblog.com/blog/2016/03/07/rsr-co-ready-ship-target-rst/>> (Year: 2016).*

Scepaniak, Adam, Champion Expands their “Visicolor” Splatter Targets, posted at The Firearm Blog, posting date May 12, 2017. Site visited Mar. 11, 2019. URL: <<https://www.thefirearmblog.com/blog/2017/05/12/champion-expands-splatter-targets-hunting-training-options/>> (Year: 2017).*

* cited by examiner

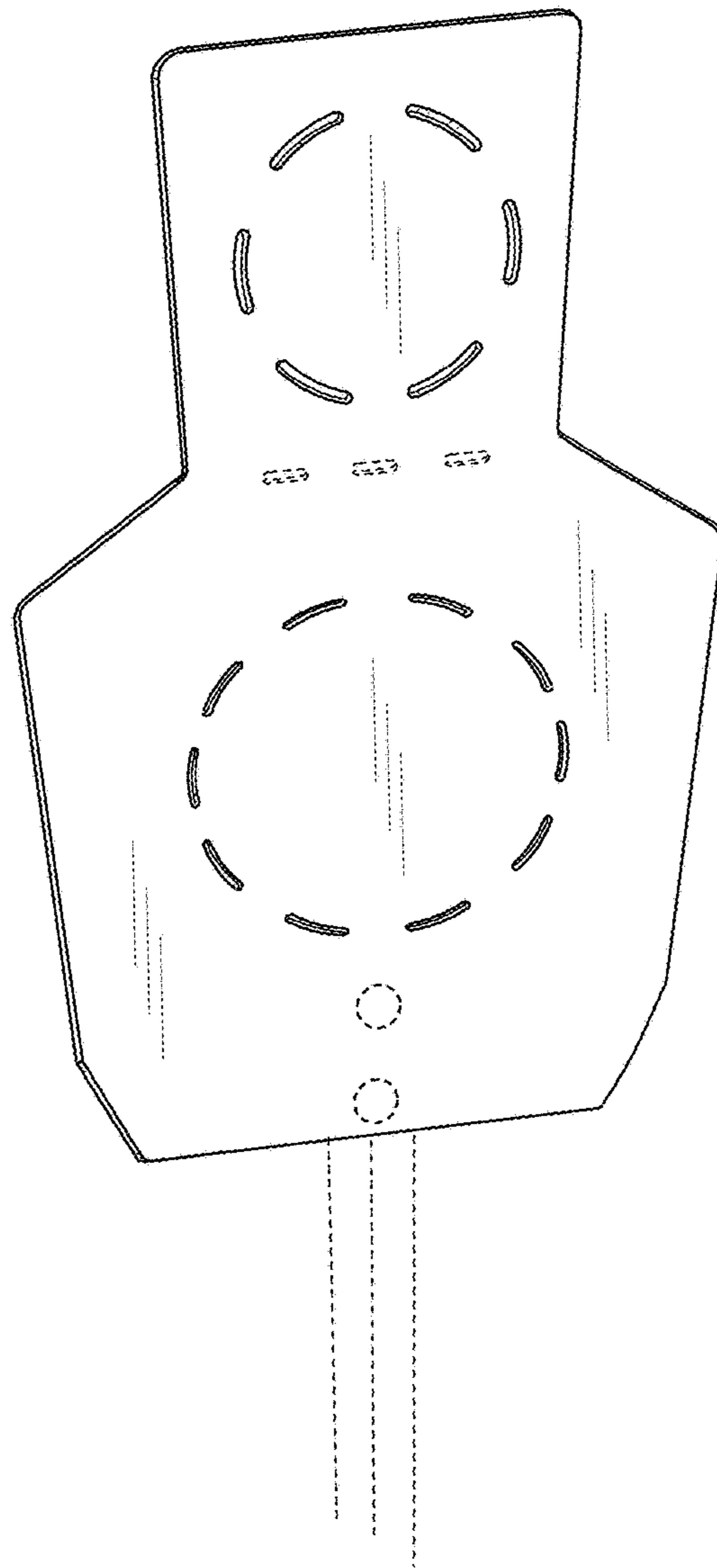


FIG. 1

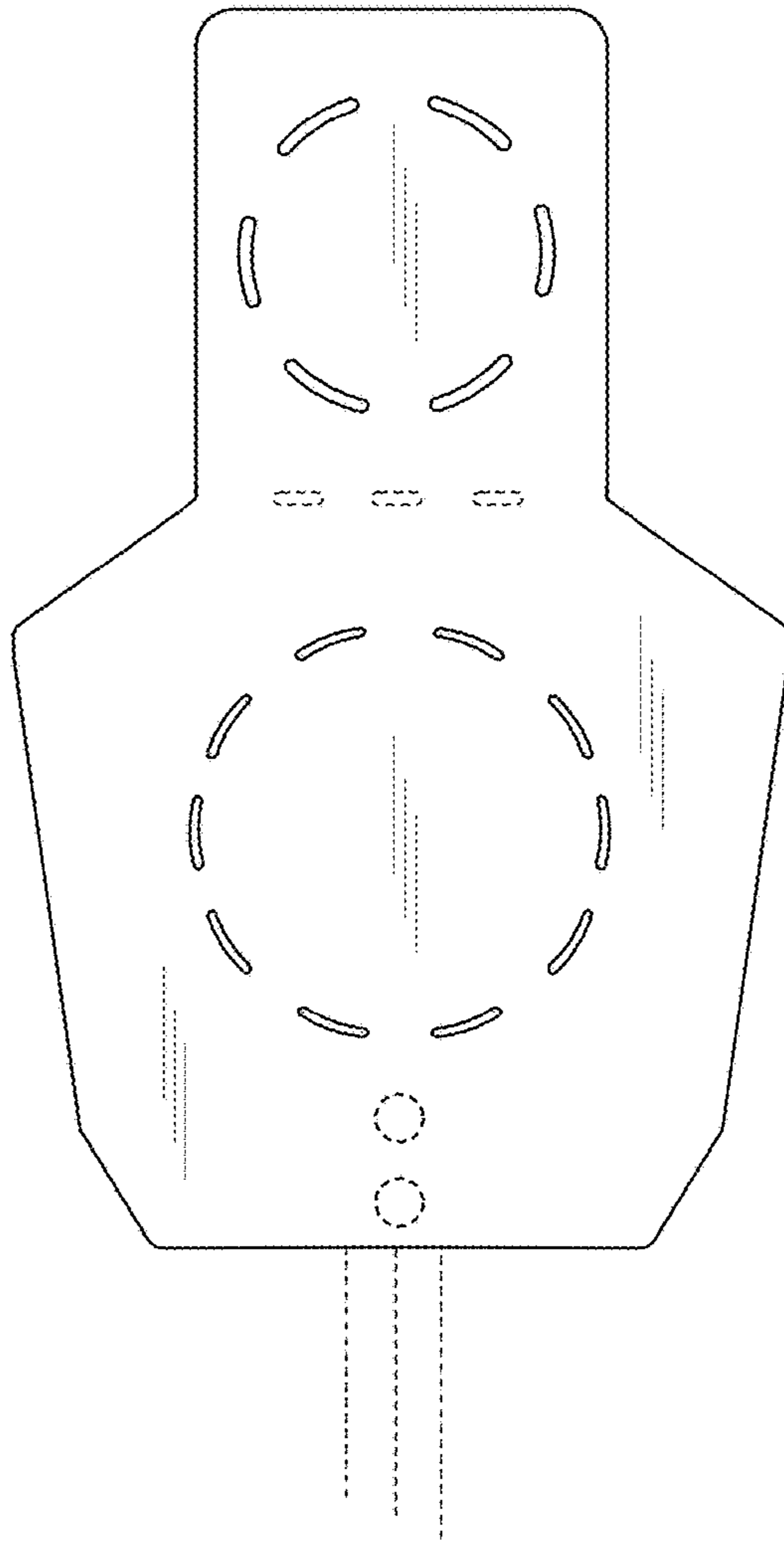


FIG. 2

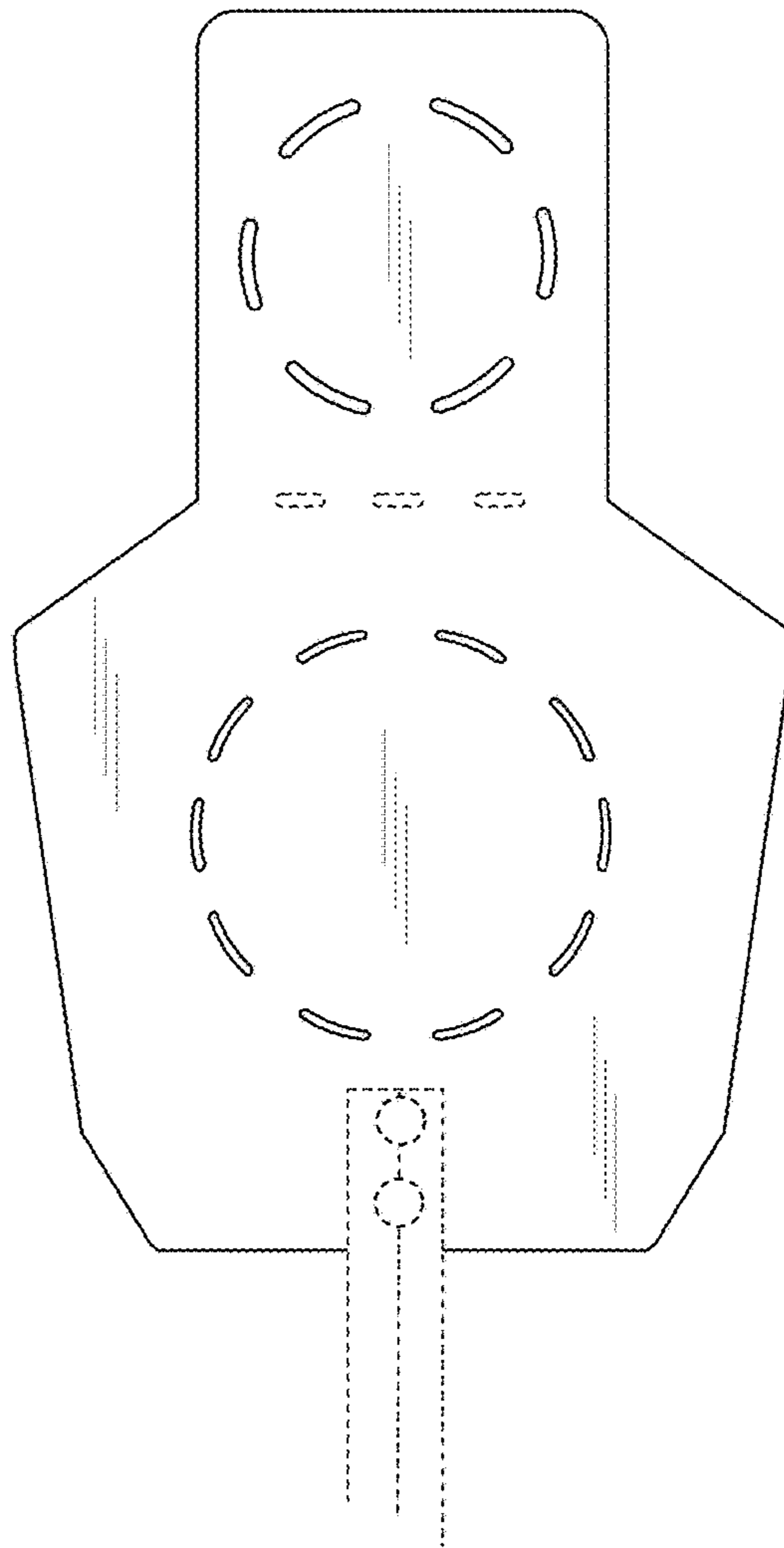


FIG. 3

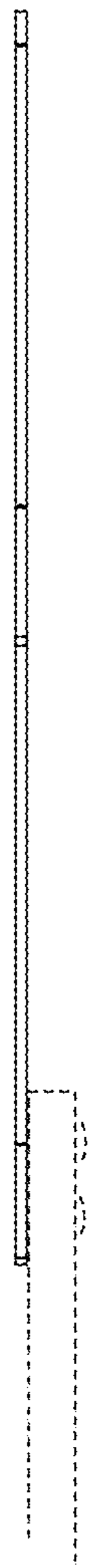


FIG. 4



FIG. 5

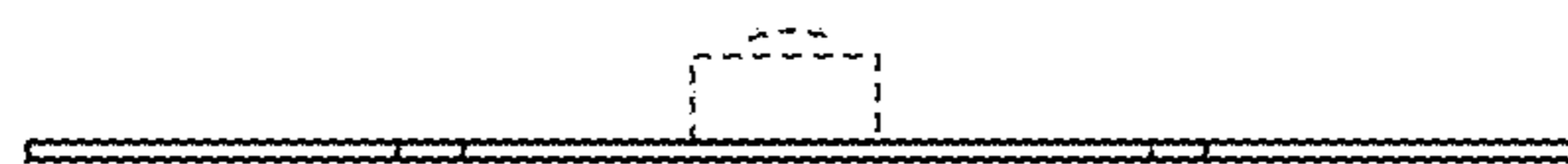


FIG. 6

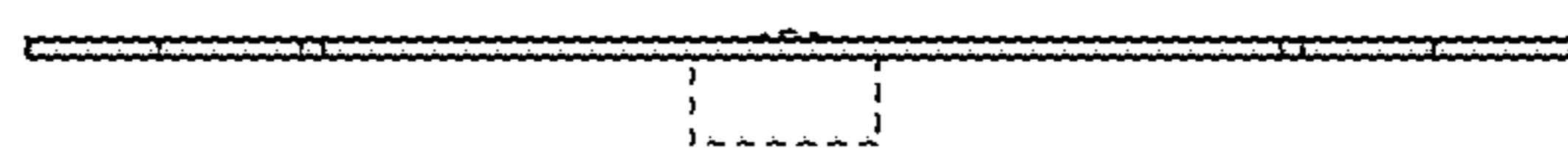


FIG. 7