

US00D856460S

(12) **United States Design Patent** (10) **Patent No.:** **US D856,460 S**  
**Doran** (45) **Date of Patent:** **\*\* Aug. 13, 2019**

- (54) **LENS WITH RETICLE**
- (71) Applicant: **Trijicon, Inc.**, Wixom, MI (US)
- (72) Inventor: **Ian Doran**, Walled Lake, MI (US)
- (73) Assignee: **Trijicon, Inc.**, Wixom, MI (US)
- (\*\*) Term: **15 Years**
- (21) Appl. No.: **29/639,427**
- (22) Filed: **Mar. 6, 2018**
- (51) **LOC (12) Cl.** ..... **22-01**
- (52) **U.S. Cl.**  
 USPC ..... **D22/109**
- (58) **Field of Classification Search**  
 USPC ..... D22/108, 109; D16/130-136; D14/404  
 CPC ..... F41G 3/08; F41G 1/34  
 See application file for complete search history.

(56) **References Cited**

U.S. PATENT DOCUMENTS

D679,776 S *	4/2013	Bracken	.....	D22/108
D679,777 S *	4/2013	Bracken	.....	D22/108
D680,187 S *	4/2013	Bracken	.....	D22/108
D783,113 S *	4/2017	Noller	.....	D22/109
D783,114 S *	4/2017	Noller	.....	D22/109
D783,115 S *	4/2017	Noller	.....	D22/109
D796,621 S *	9/2017	Walker	.....	D16/136
D805,156 S *	12/2017	Noller	.....	D22/109

(Continued)

OTHER PUBLICATIONS

Japanese Office Action for Patent Application No. JP 2018-019348 dated Feb. 22, 2019 (9 pages).

(Continued)

*Primary Examiner* — Karen S Acker  
*Assistant Examiner* — Steven B Reinholdt, Jr.

(74) *Attorney, Agent, or Firm* — Harness, Dickey & Pierce, P.L.C.

(57) **CLAIM**

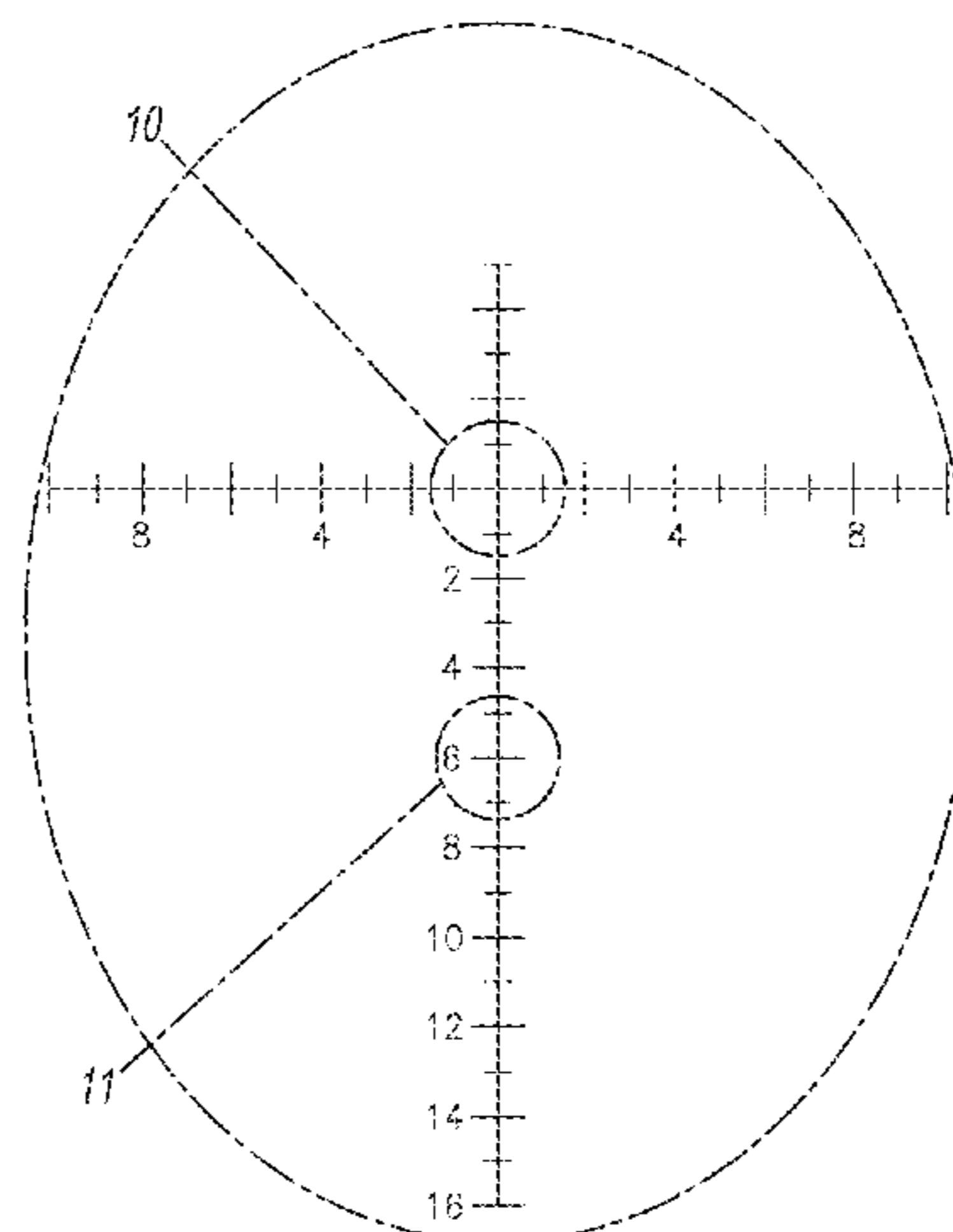
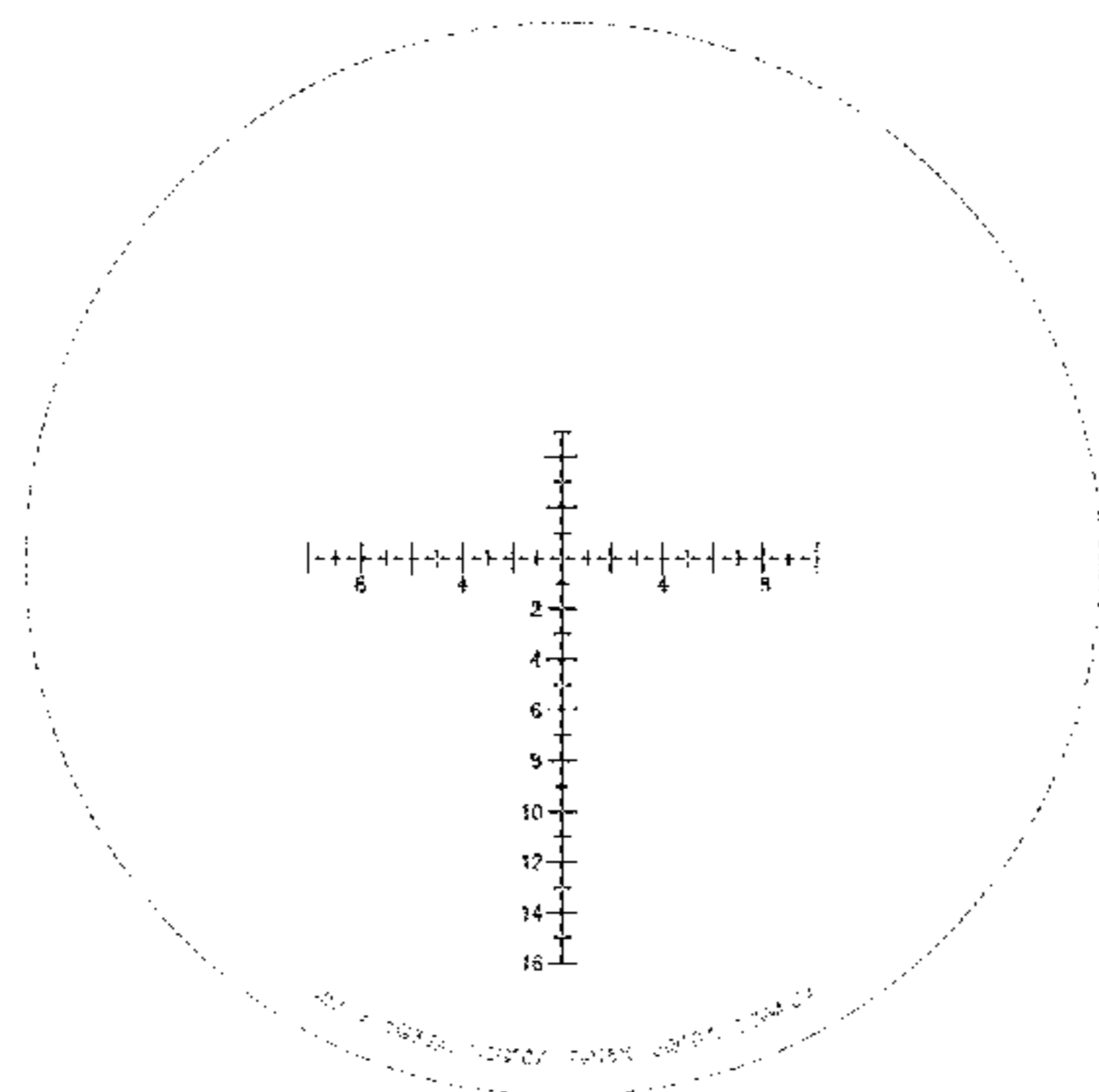
The ornamental design for a lens with reticle, as shown and described.

**DESCRIPTION**

FIG. 1 is a front elevation view of a lens with reticle in accordance with my new design;  
 FIG. 2 is a reference view thereof showing the areas indicating from where enlarged details are taken;  
 FIG. 3 is an enlarged detail view of area 3 circumscribed within FIG. 2;  
 FIG. 4 is an enlarged detail view of area 4 circumscribed within FIG. 3;  
 FIG. 5 is another enlarged detail view of area 5 circumscribed within FIG. 3;  
 FIG. 6 is another enlarged detail view of area 6 circumscribed within FIG. 2 of a second embodiment of the lens with reticle;  
 FIG. 7 is an enlarged detail view of area 7 circumscribed within FIG. 6;  
 FIG. 8 is another enlarged detail view of area 8 circumscribed within FIG. 6;  
 FIG. 9 is another enlarged detail view of area 9 circumscribed within FIG. 2 of a third embodiment of the lens with reticle;  
 FIG. 10 is an enlarged detail view of area 10 circumscribed within FIG. 9; and,  
 FIG. 11 is another enlarged detail view of area 11 circumscribed within FIG. 9.

The dot-dash-dot broken lines are enlargement frames and lead lines that form no part of the claim. The broken line surrounding each of FIGS. 1 and 2 depicts the boundary of the claim and forms no part thereof. The evenly spaced broken lines in FIGS. 1 and 2 depict text that forms no part of the claimed design. The evenly spaced broken lines in FIGS. 6-9 and 11 depict portions of the lens with reticle that form no part of the claimed design.

**1 Claim, 8 Drawing Sheets**



(56)

**References Cited**

U.S. PATENT DOCUMENTS

2011/0107649 A1\* 5/2011 Buck ..... F41G 1/473  
42/130  
2015/0276346 A1\* 10/2015 Hamilton ..... F41G 1/473  
42/123

OTHER PUBLICATIONS

“Landscape Reflected In a High Magnification Reticle Scope” blog post by Coyote dated Aug. 7, 2009, URL: <https://blog.goo.ne.jp/coyote222/e/c130521e68a4ba5bfc52b1314852485> (15 pages).

\* cited by examiner

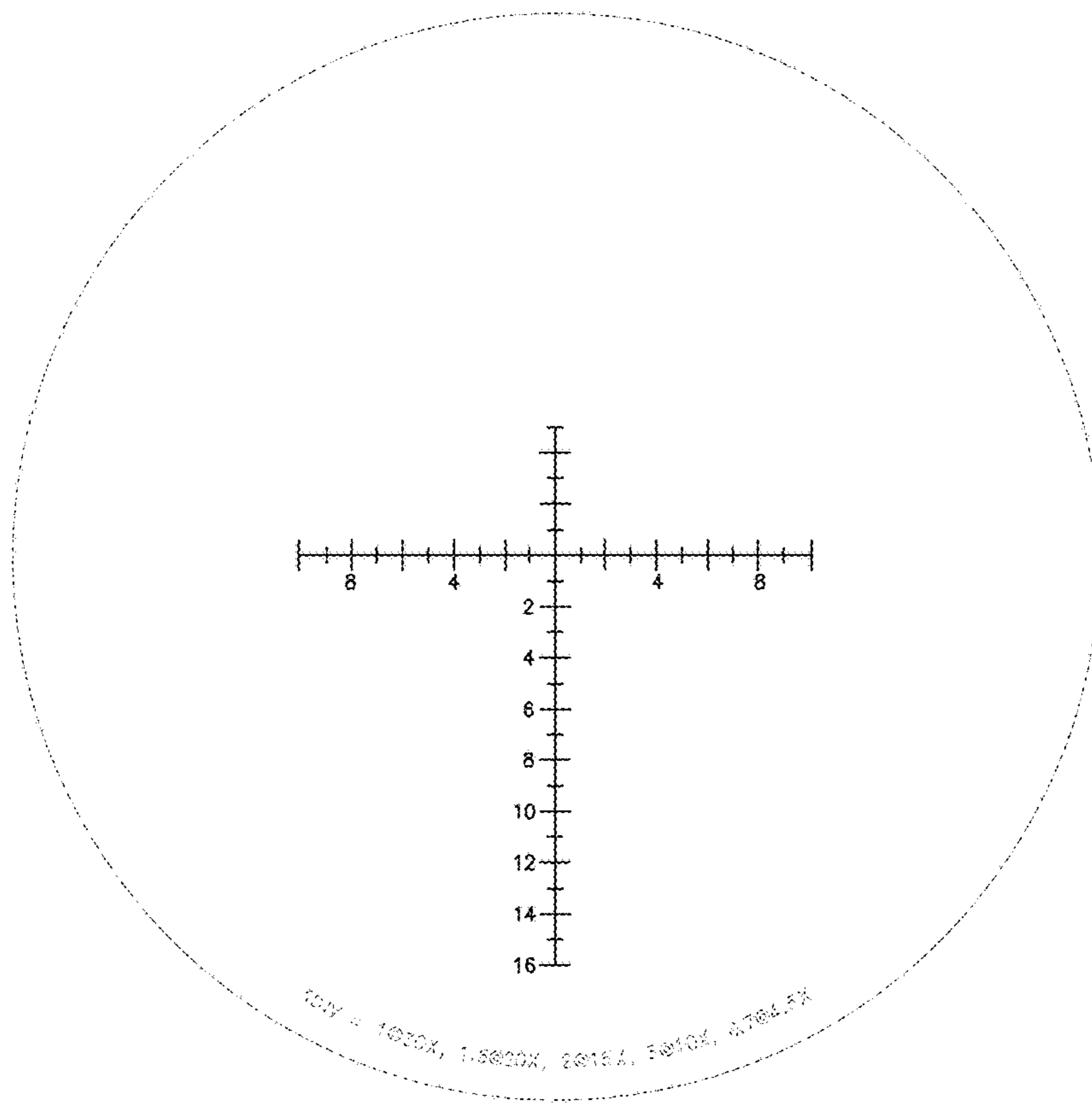


FIG - 1

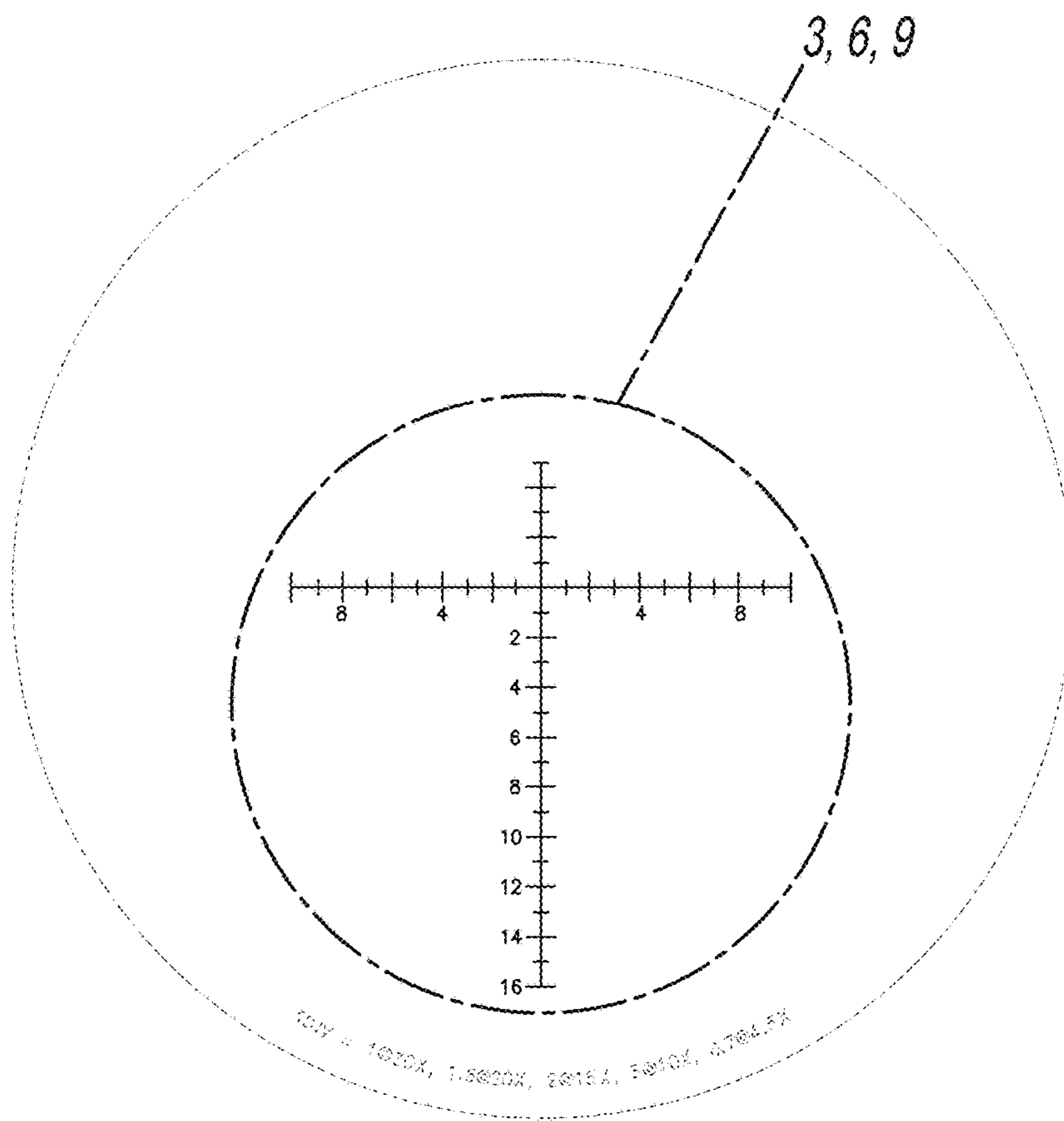


FIG - 2

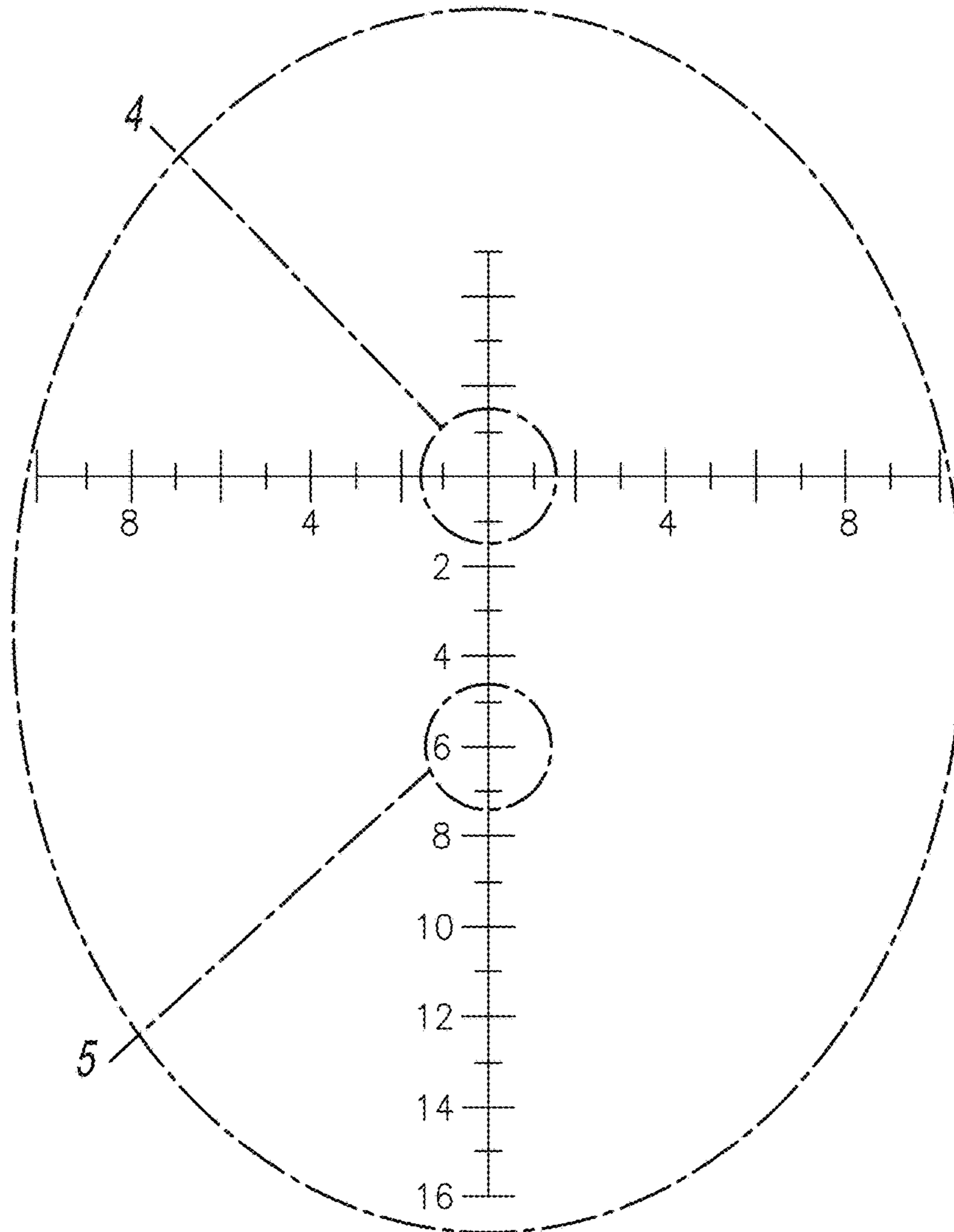


FIG - 3

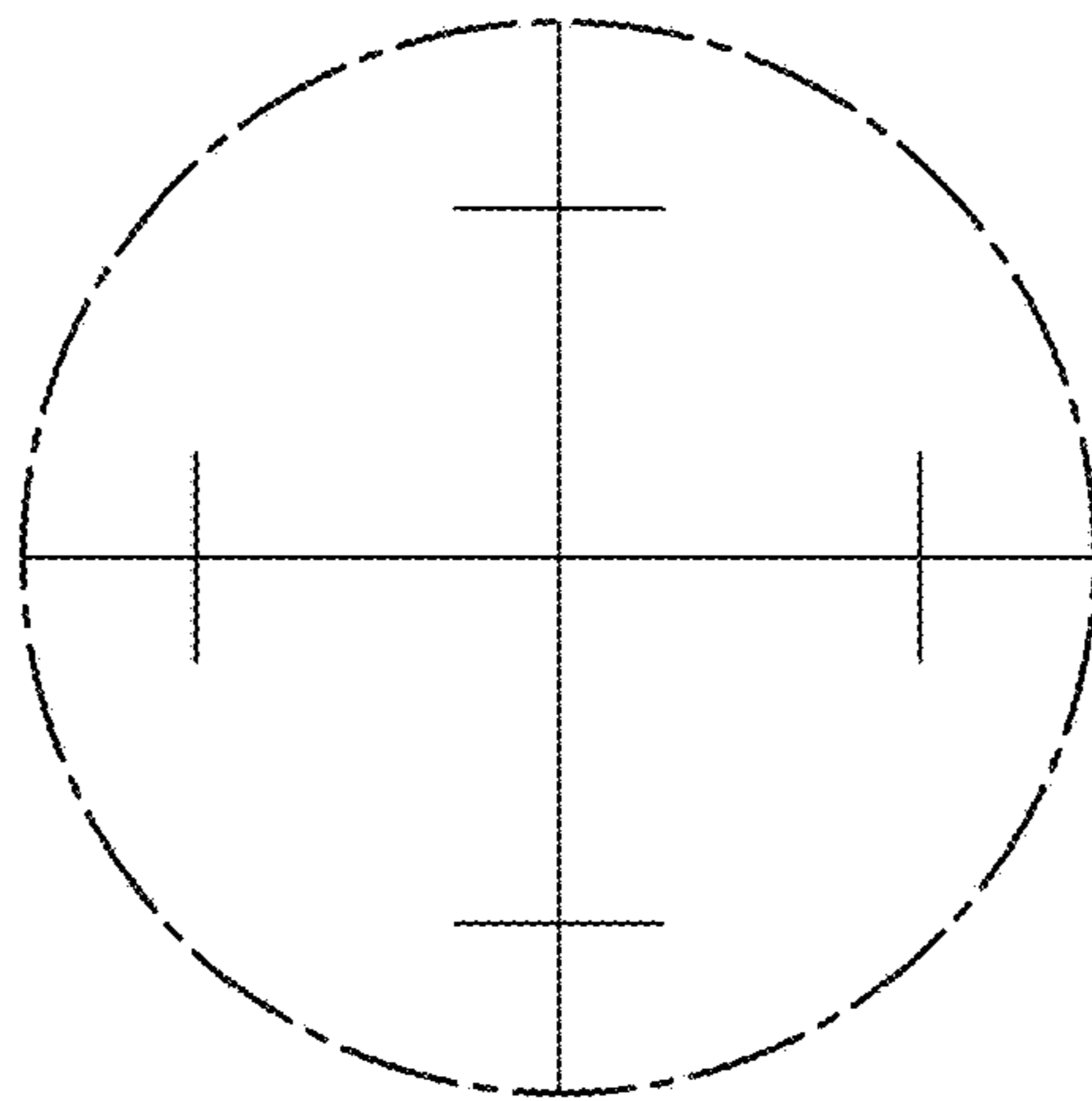


FIG - 4

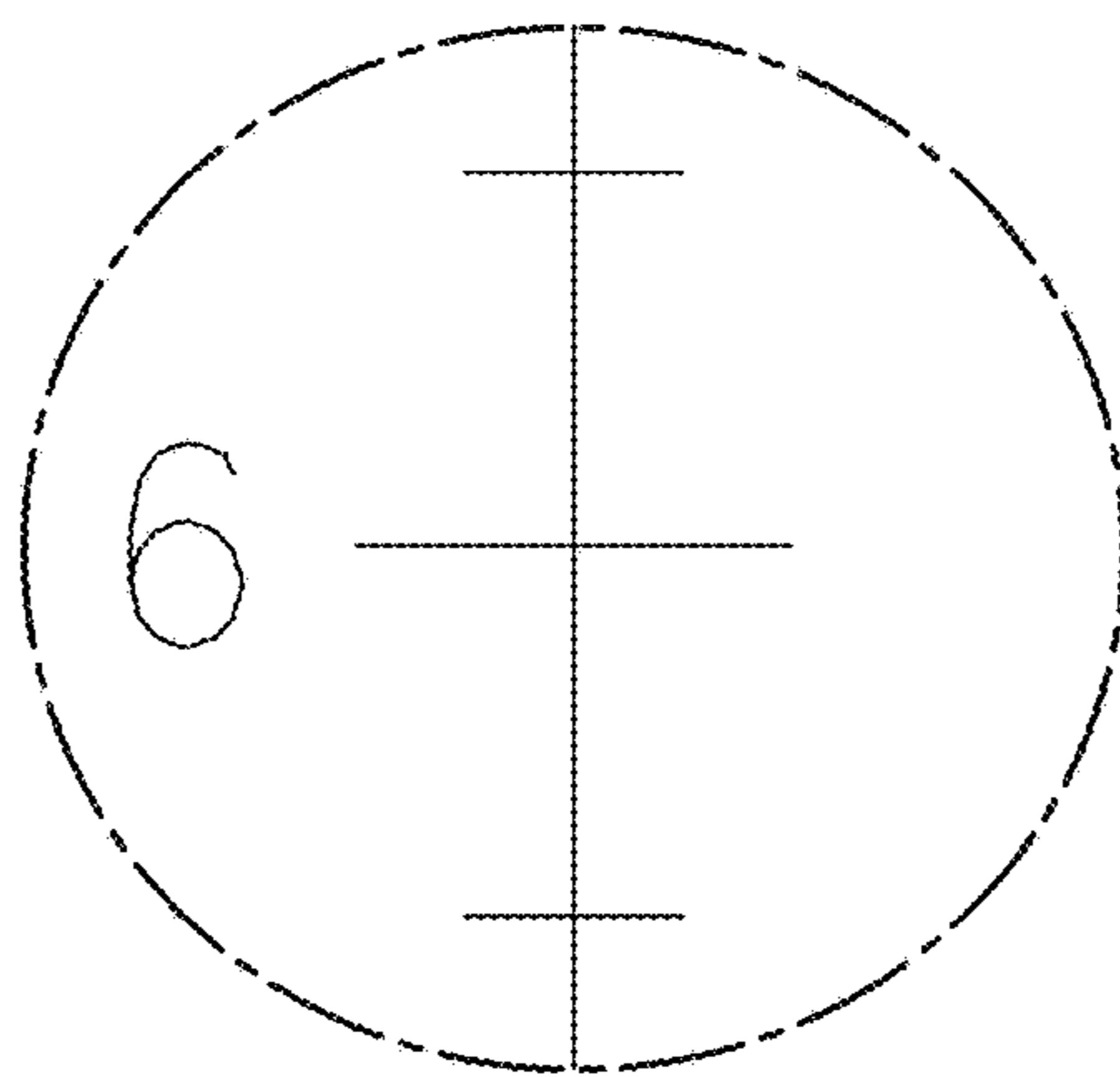


FIG - 5

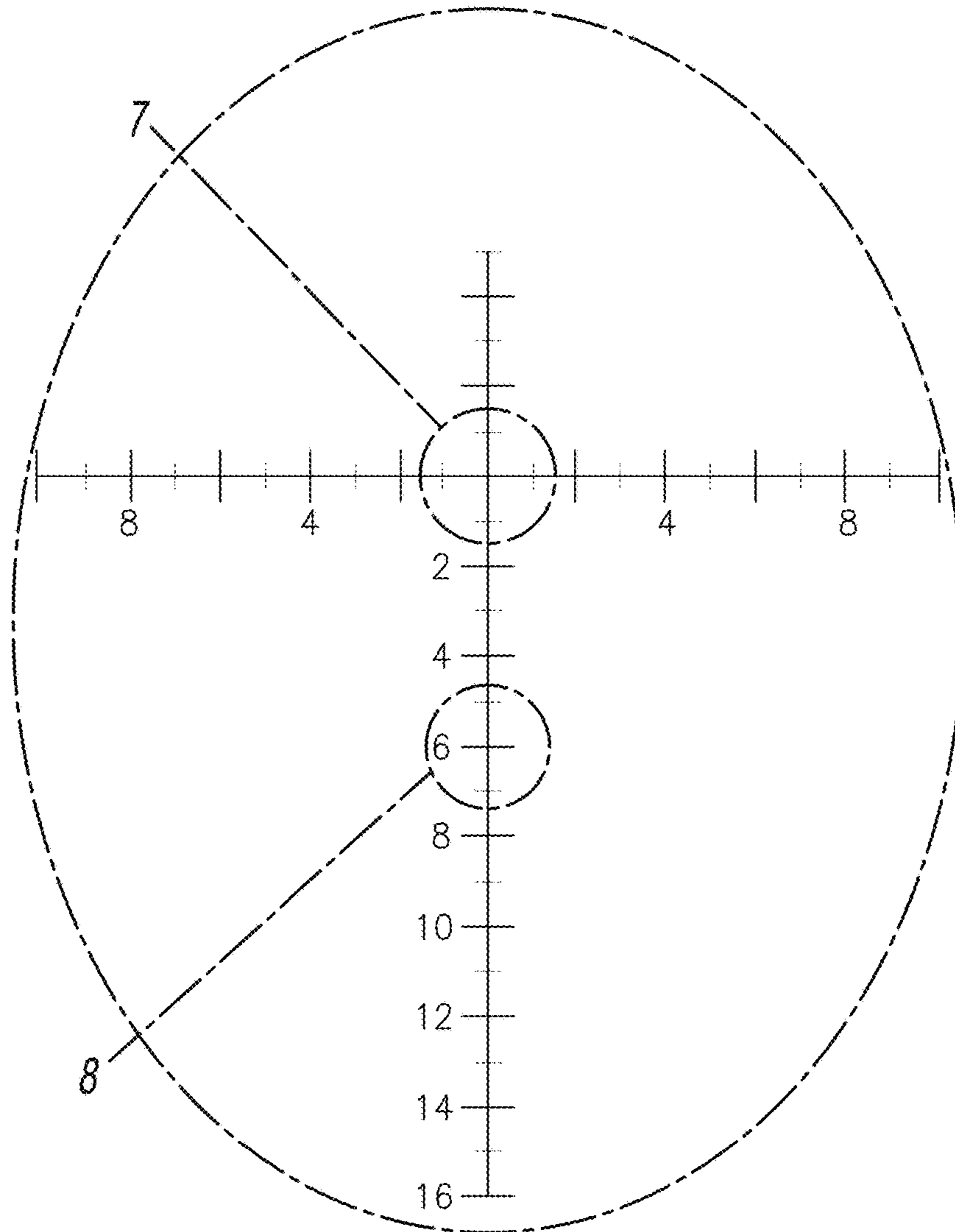


FIG - 6

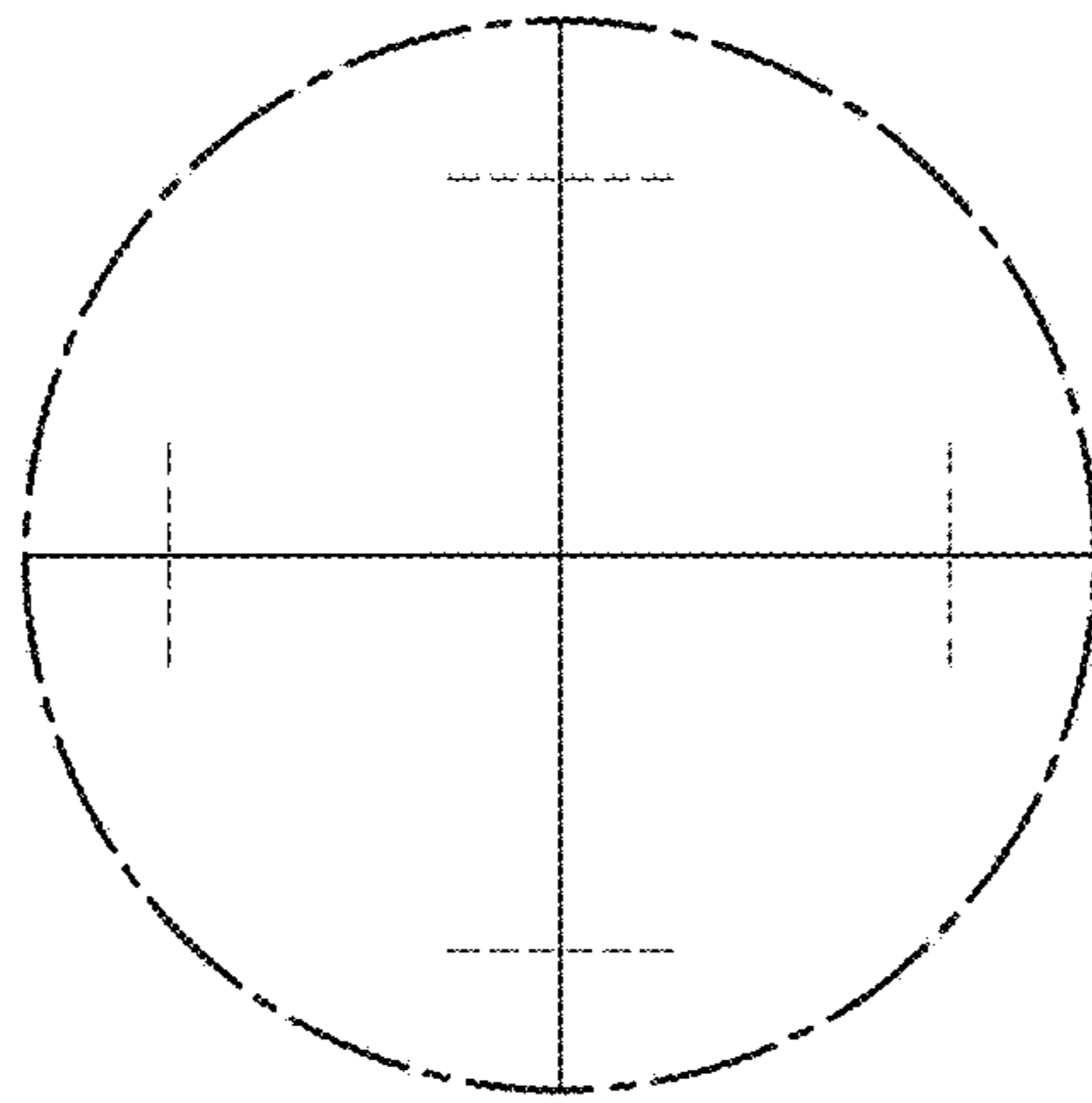


FIG - 7

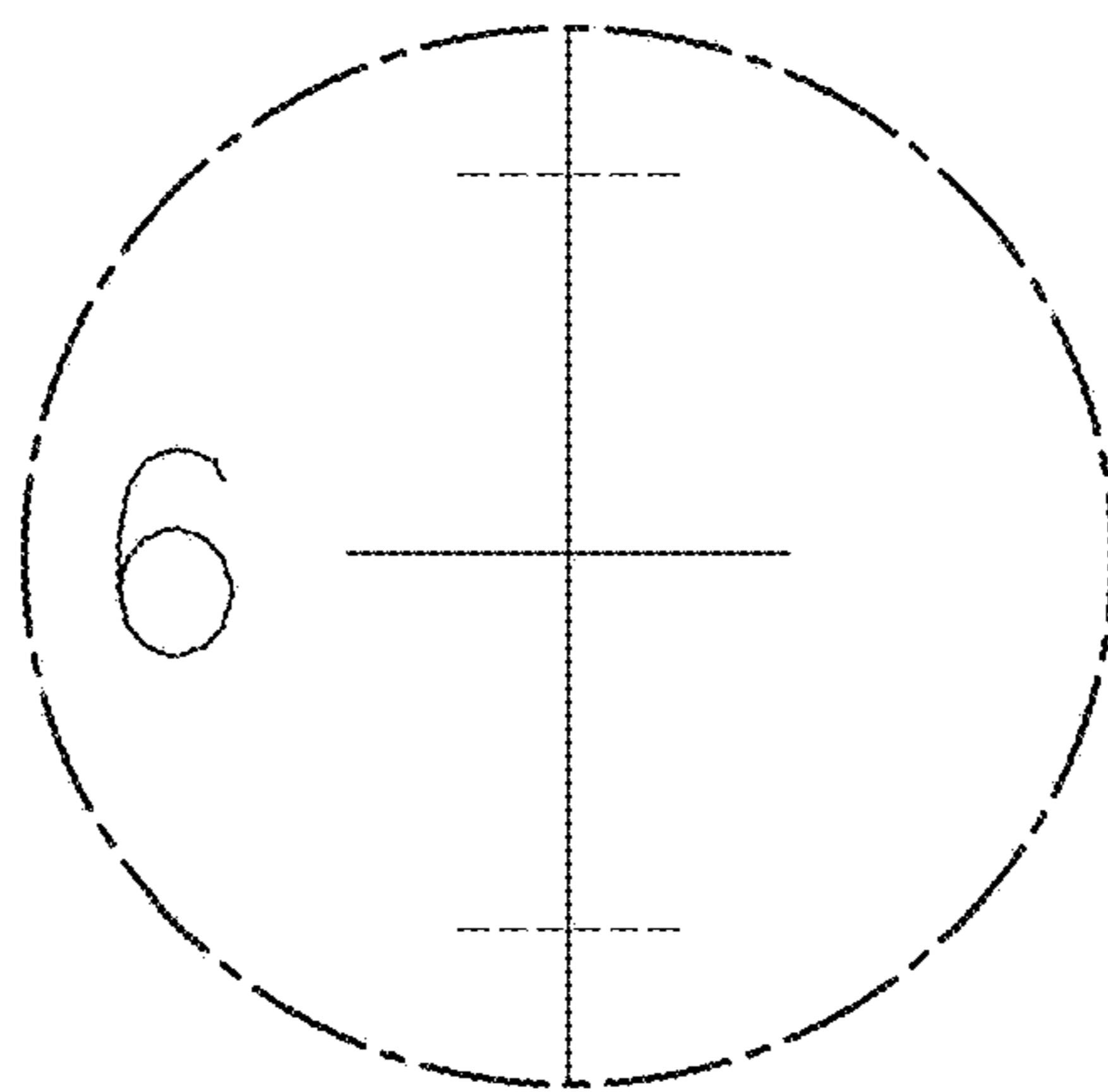


FIG - 8



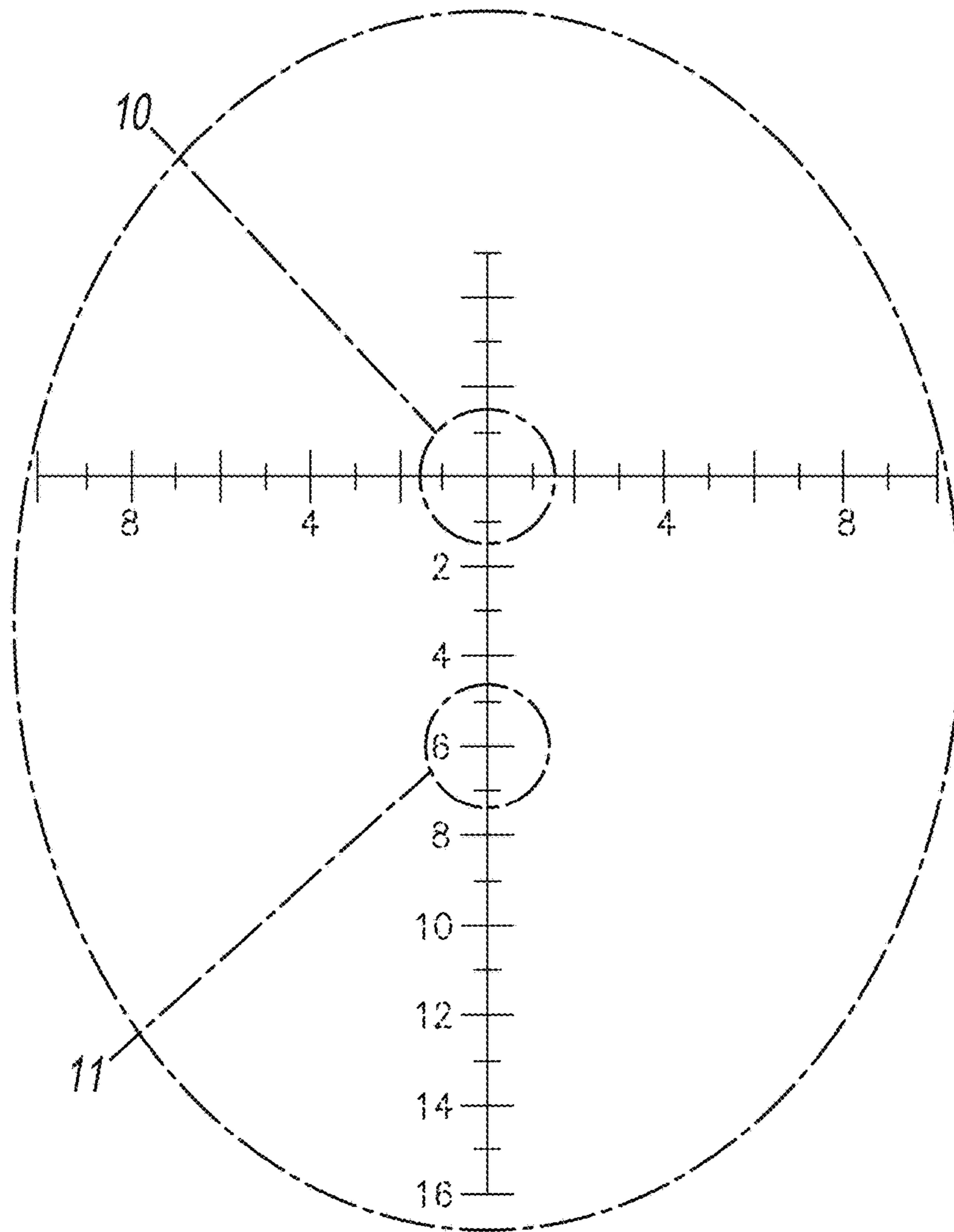


FIG - 9

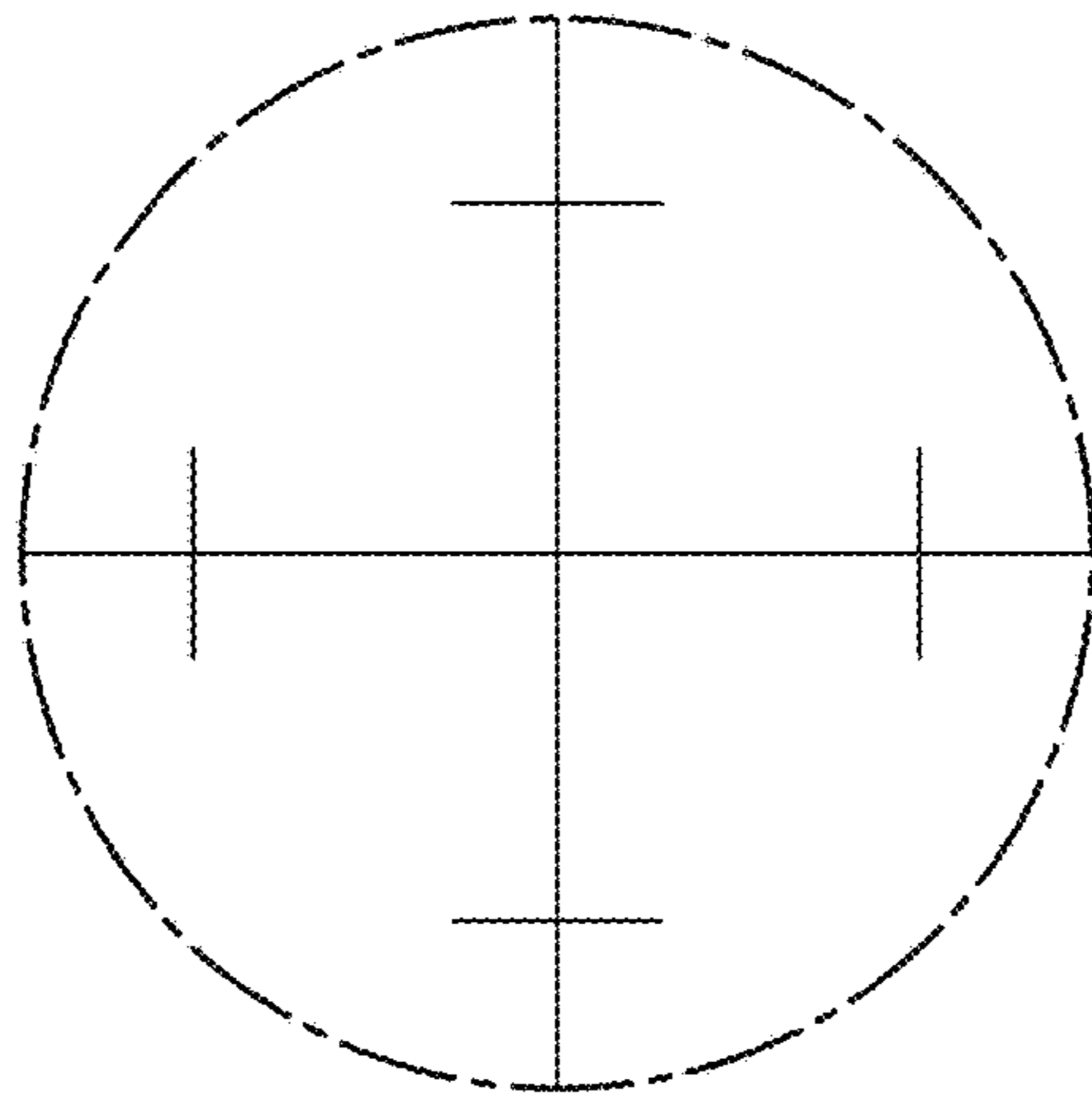


FIG - 10

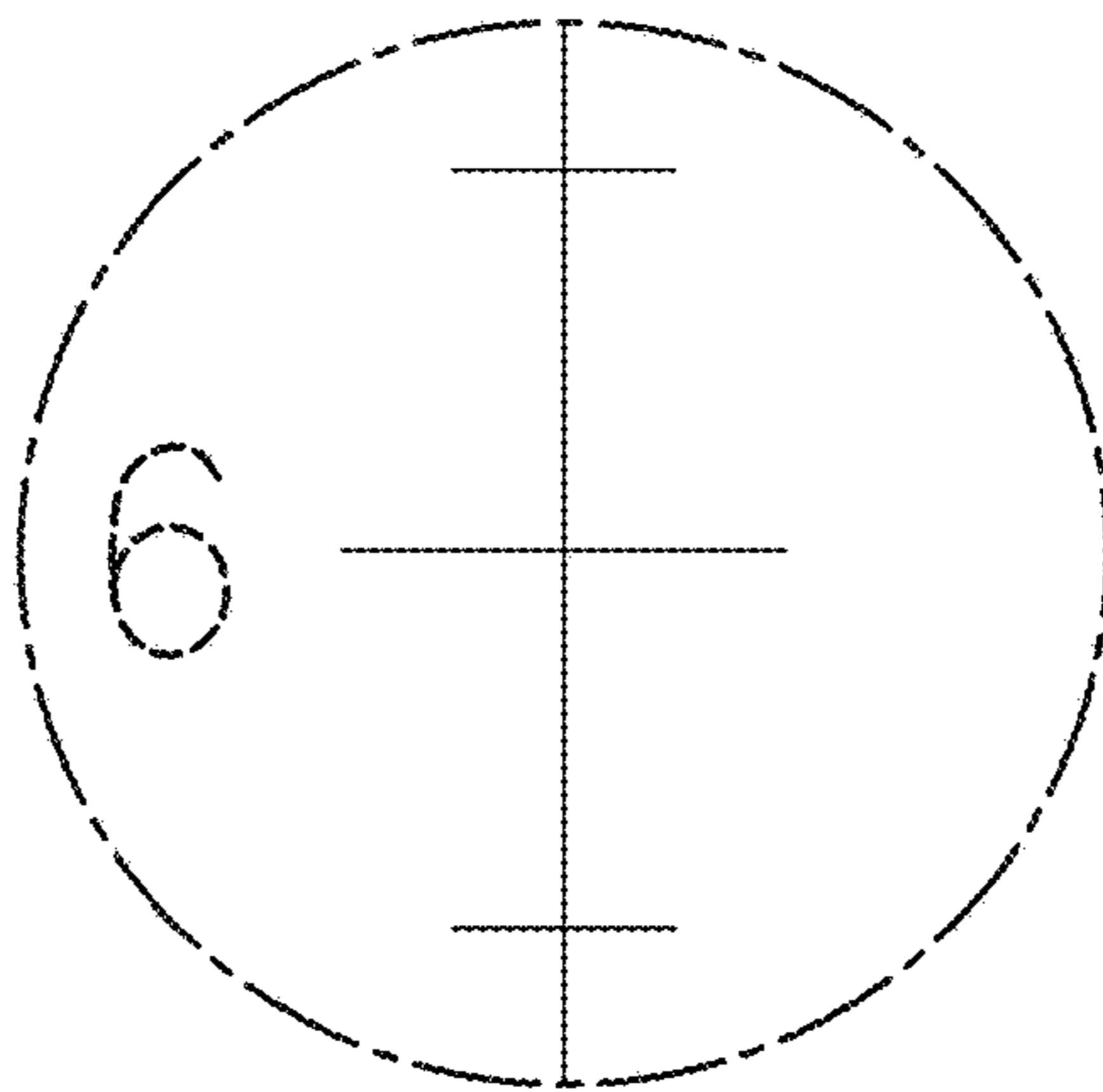


FIG - 11