



US00D856458S

(12) **United States Design Patent**
Cheng et al.

(10) **Patent No.:** **US D856,458 S**

(45) **Date of Patent:** **** Aug. 13, 2019**

(54) **REFLEX SIGHT**

(71) Applicants: **Carson Cheng**, City of Industry, CA (US); **Changan Tian**, City of Industry, CA (US); **Richard Thomas**, City of Industry, CA (US)

(72) Inventors: **Carson Cheng**, City of Industry, CA (US); **Changan Tian**, City of Industry, CA (US); **Richard Thomas**, City of Industry, CA (US)

(73) Assignee: **NcSTAR, Inc.**, City of Industry, CA (US)

(**) Term: **15 Years**

(21) Appl. No.: **29/614,502**

(22) Filed: **Aug. 20, 2017**

(51) **LOC (12) Cl.** **22-01**

(52) **U.S. Cl.**
USPC **D22/109**

(58) **Field of Classification Search**

USPC D16/200, 202–205, 208, 218, 219, 235, D16/242; D22/108–110; 250/214 VT, 250/574; 348/164, 360; 359/358, 819, 359/826–828; 396/529–532; 42/90, 99, 42/111–114, 133, 146

CPC G03B 17/02; G03B 19/04; G03B 17/56; G03B 17/04; G03B 15/03; G03B 17/14; H04N 5/2251; H04N 5/2252; H04N 5/2253; H04N 5/2254

See application file for complete search history.

(56) **References Cited**

U.S. PATENT DOCUMENTS

D662,566 S * 6/2012 Estes D22/109
D679,775 S * 4/2013 Cheng D22/109

D704,296 S * 5/2014 Cheng D22/109
D732,137 S * 6/2015 Hamilton D22/109
D733,832 S * 7/2015 Crispin D22/109
D747,431 S * 1/2016 Cheng D22/109
D750,685 S * 3/2016 Santos D16/208
D765,212 S * 8/2016 Cheng D22/109
D774,157 S * 12/2016 Koesler D22/109
D778,390 S * 2/2017 Zhang D22/109
D784,480 S * 4/2017 Oz D22/109
D810,854 S * 2/2018 Lapham, IV D22/109
10,060,702 B2 * 8/2018 Crispin G02B 23/105

* cited by examiner

Primary Examiner — Ramzi S Almatrahi

(74) *Attorney, Agent, or Firm* — Raymond Y. Chan; David and Raymond Patent Firm

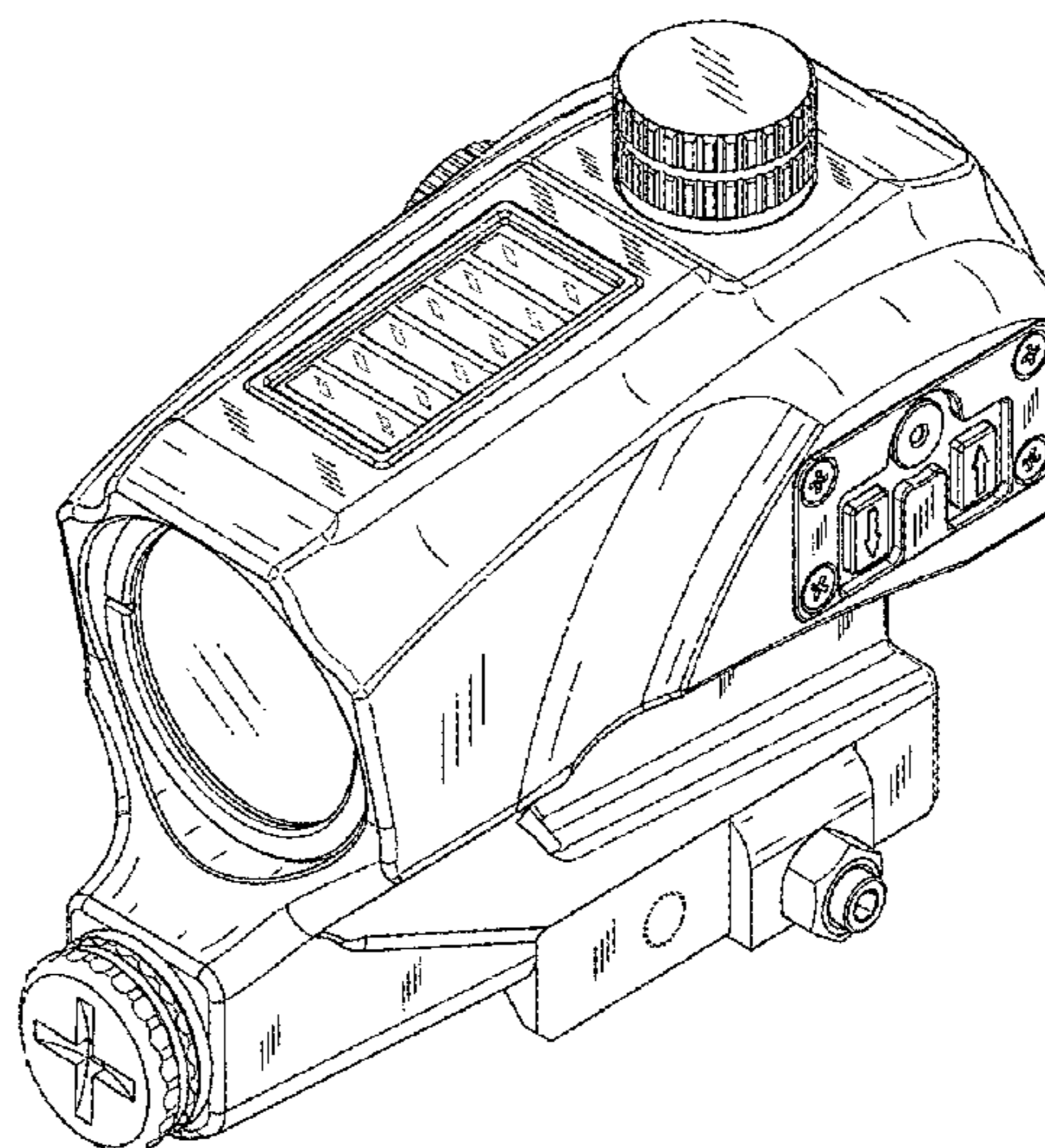
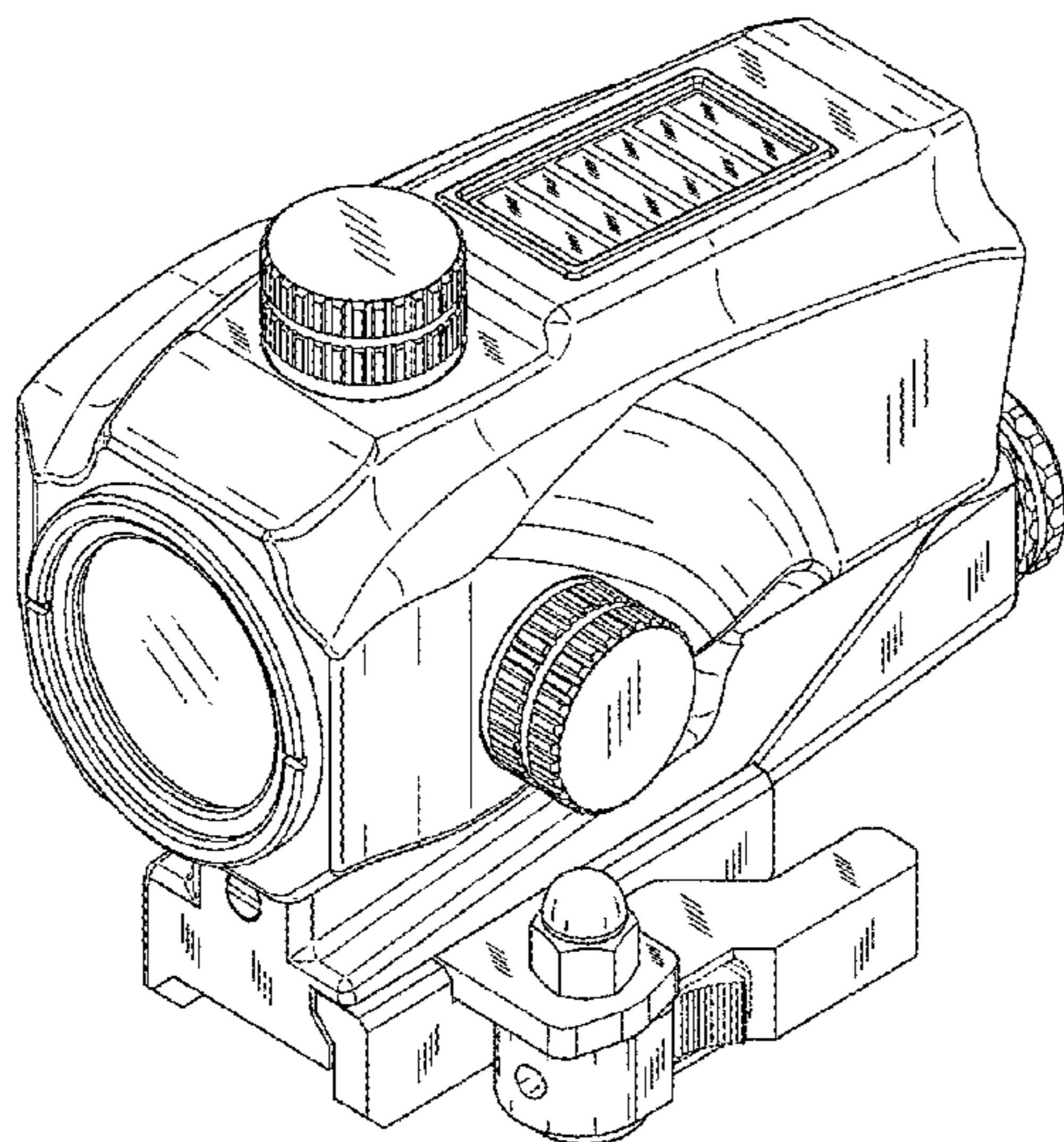
(57) **CLAIM**

The ornamental design for a reflex sight, as shown and described.

DESCRIPTION

FIG. 1 is a front perspective view of a reflex sight showing our new design;
FIG. 2 is a front elevation view thereof;
FIG. 3 is a rear elevation view thereof;
FIG. 4 is a left side elevation view thereof;
FIG. 5 is a right side elevation view thereof;
FIG. 6 is a top plan view thereof;
FIG. 7 is a bottom plan view thereof;
FIG. 8 is a bottom perspective view thereof; and,
FIG. 9 is a rear perspective view thereof.

1 Claim, 9 Drawing Sheets



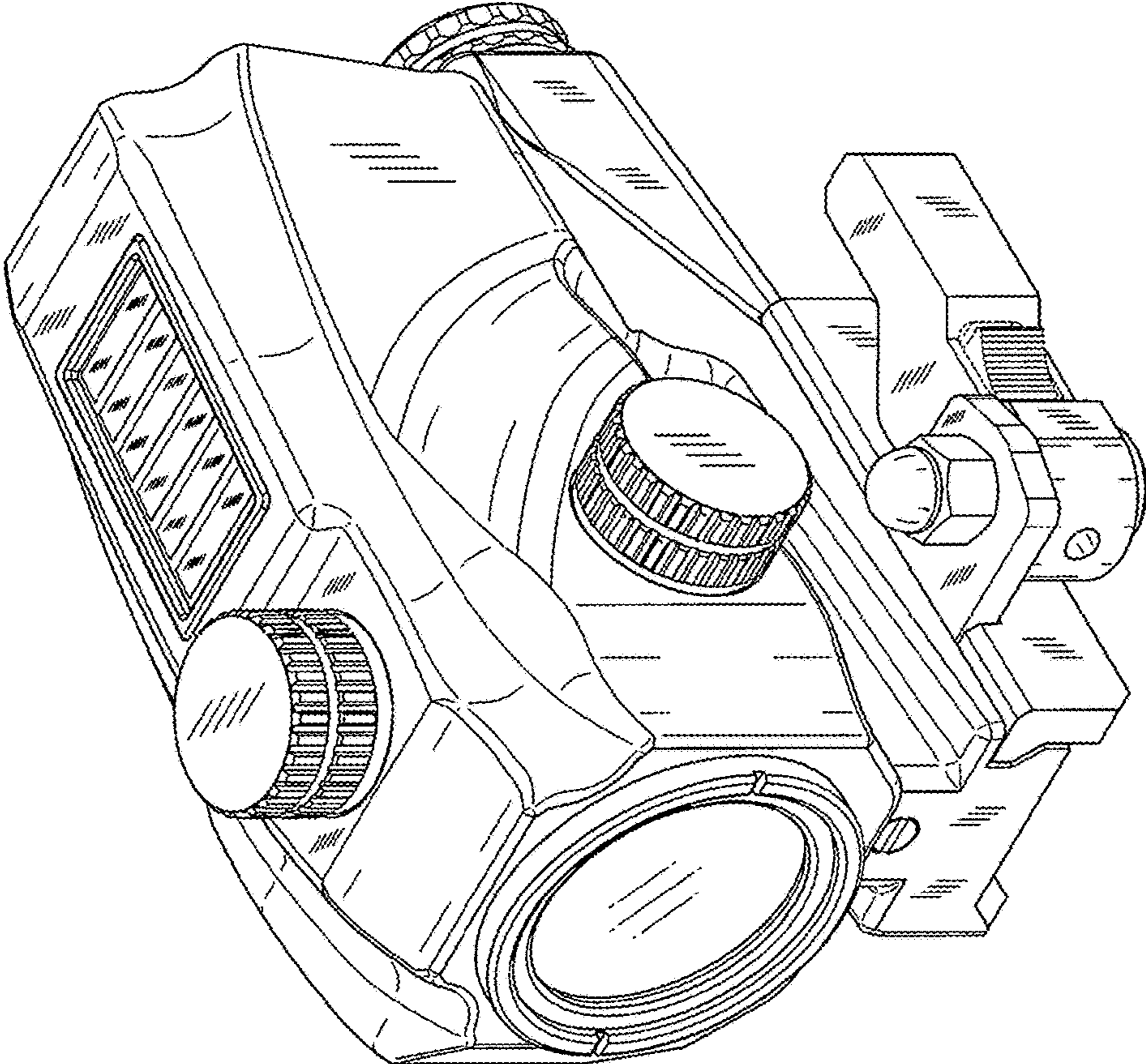


FIG.1

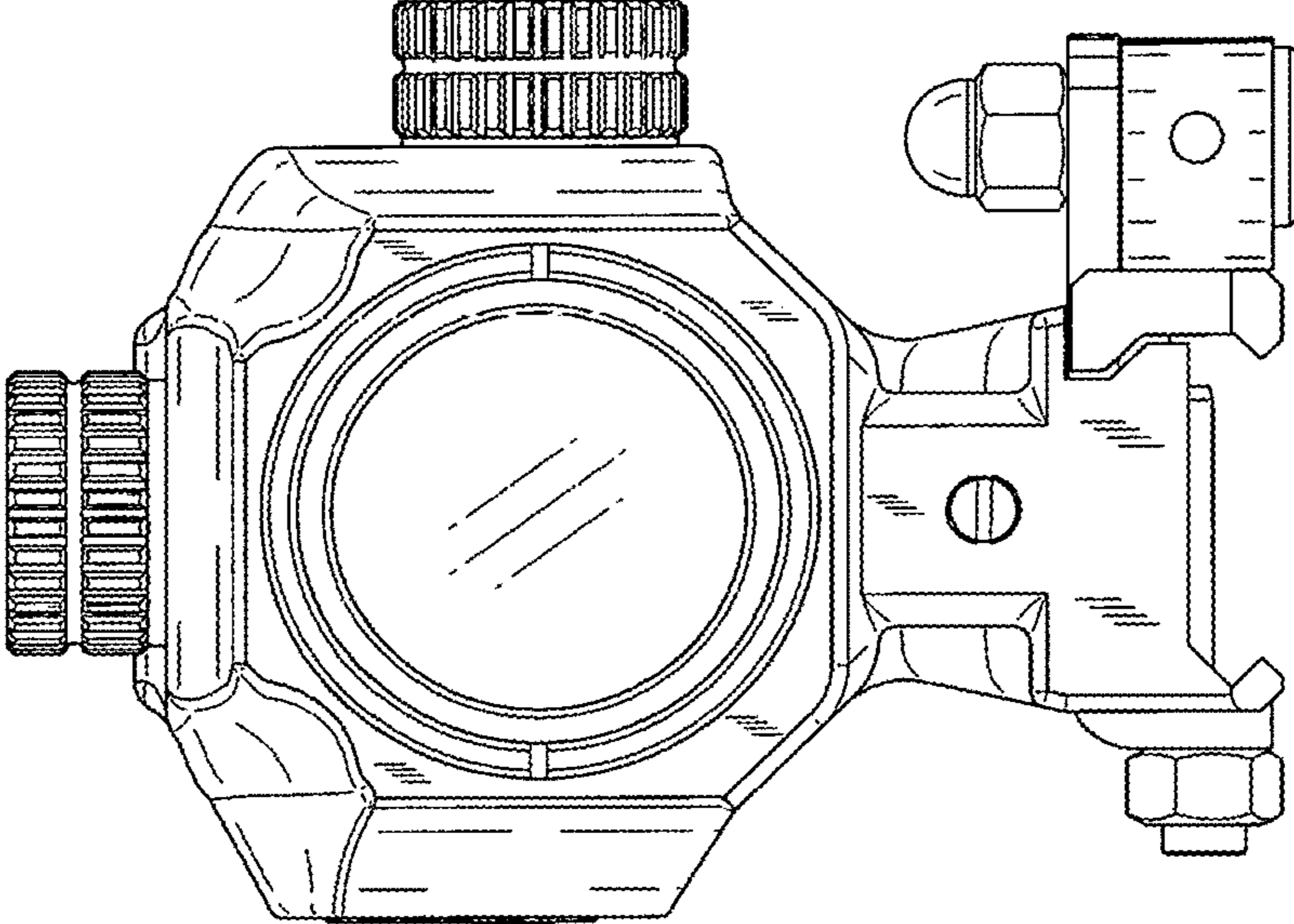


FIG.2

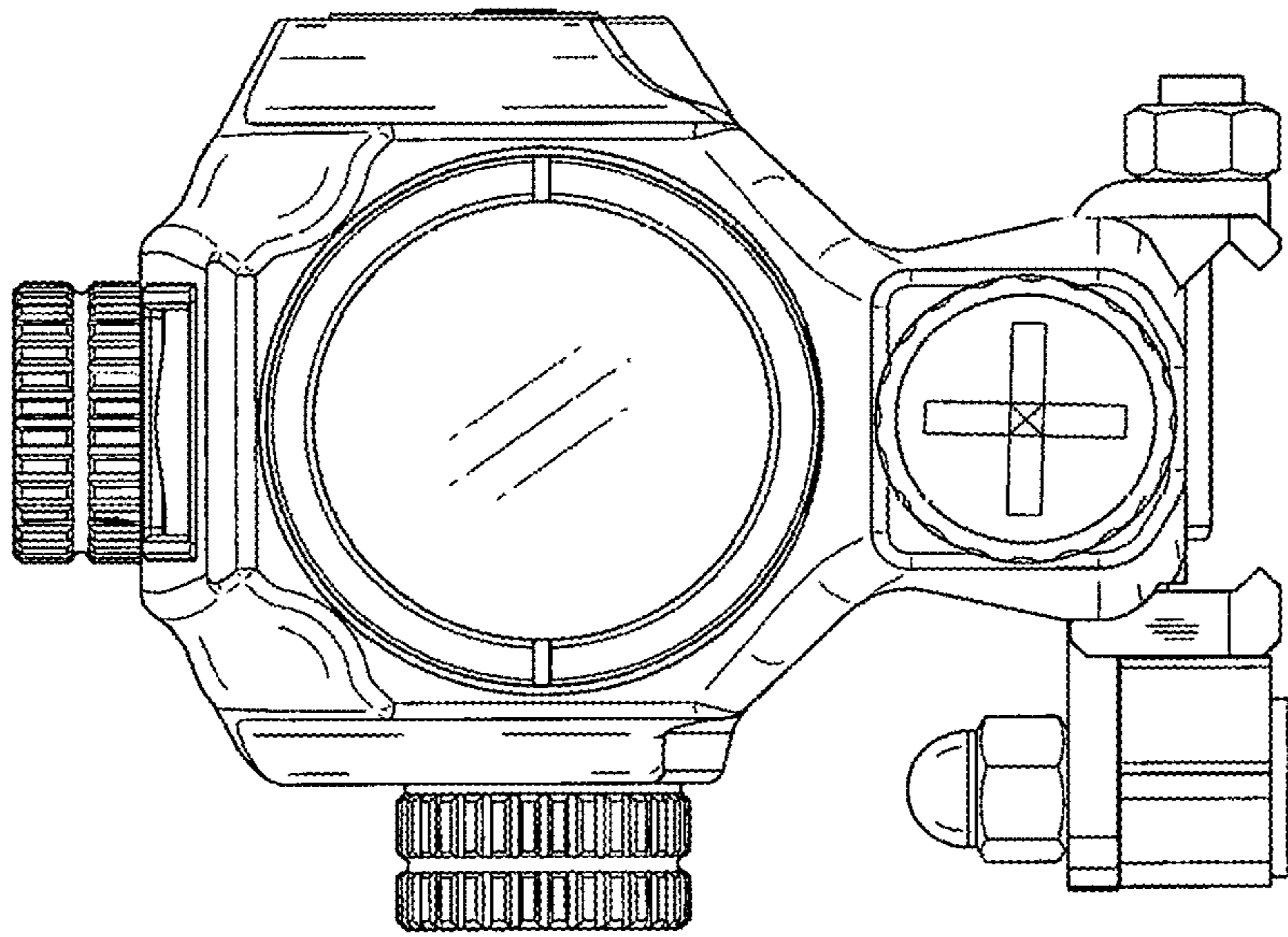


FIG.3

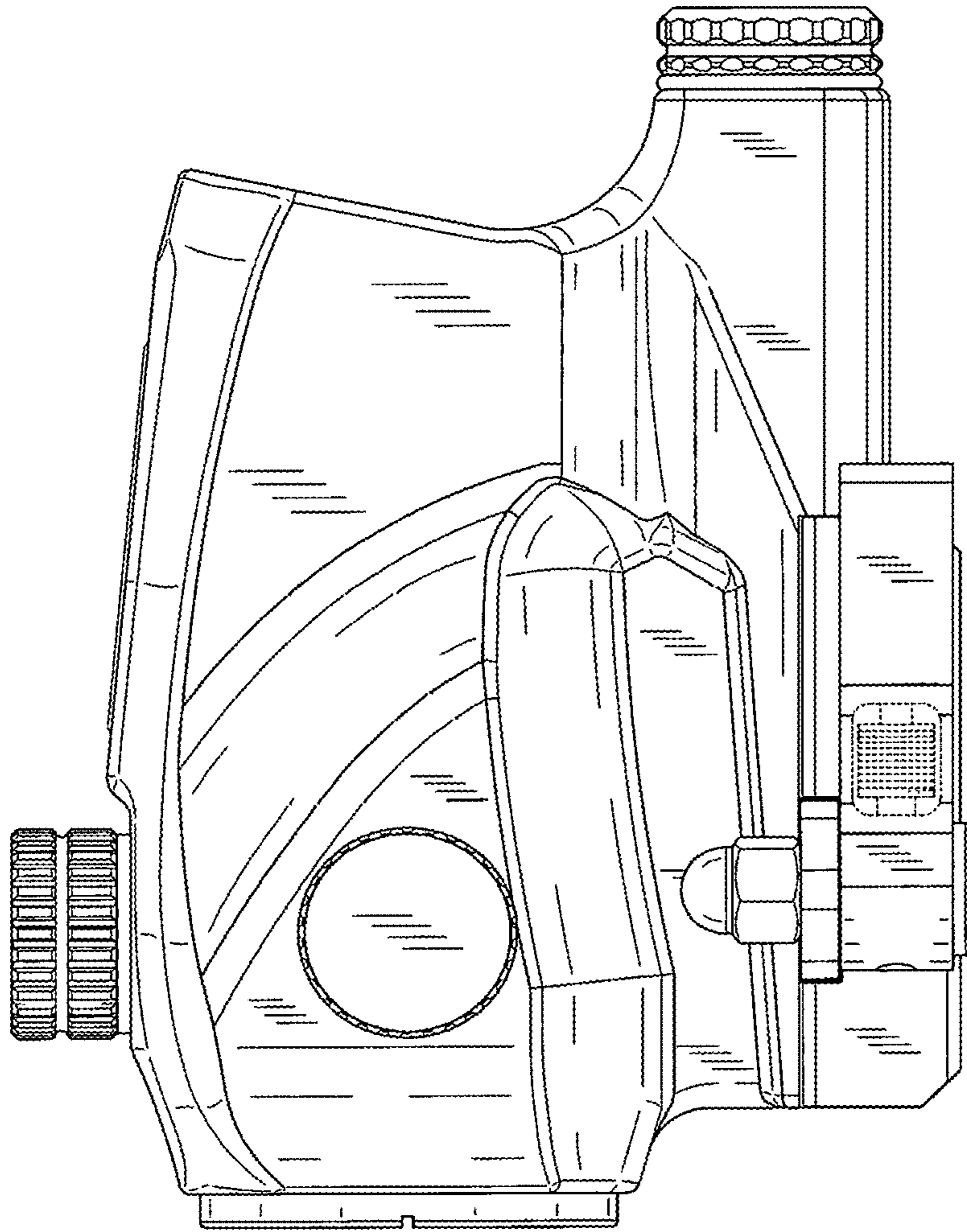


FIG.4

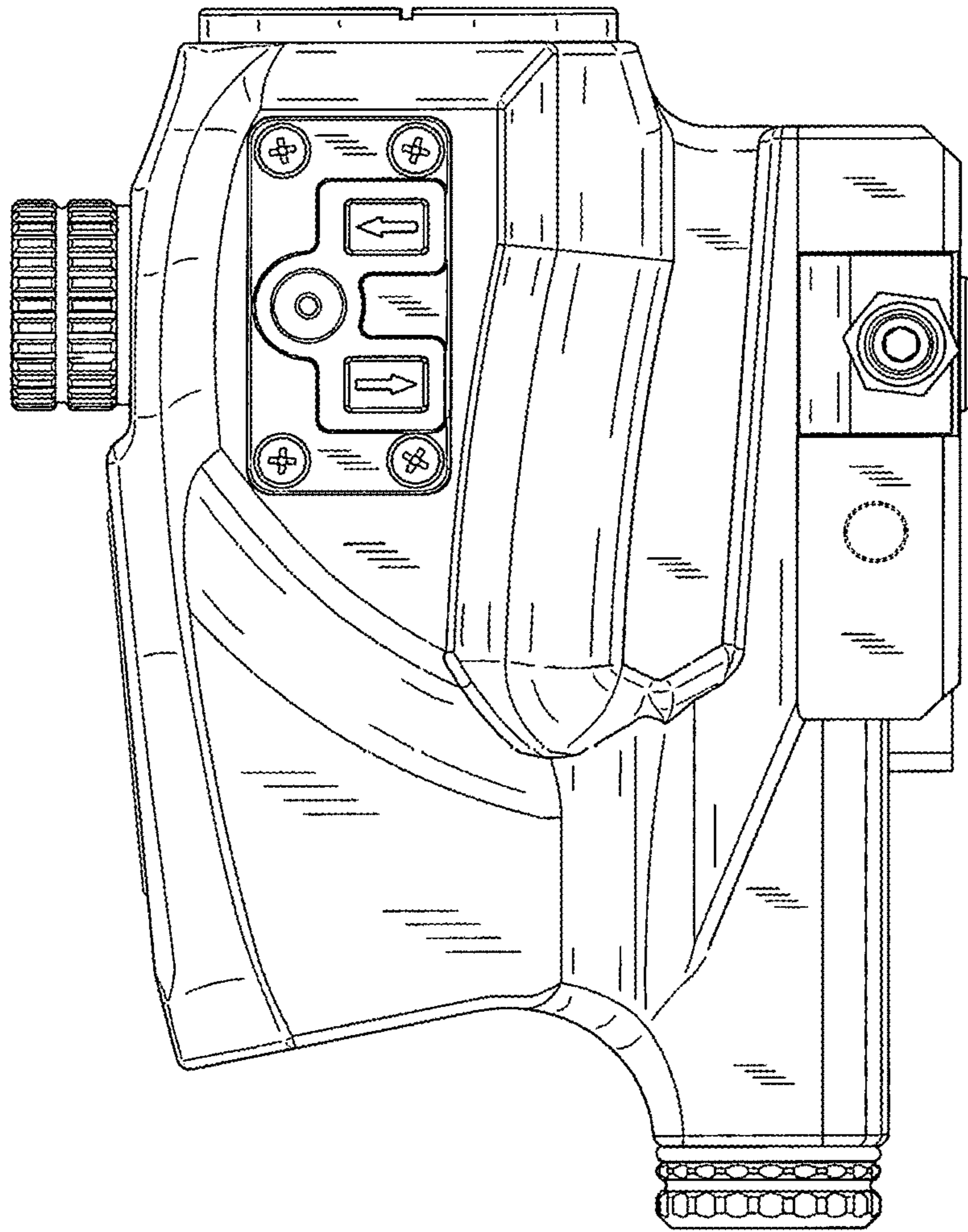


FIG. 5

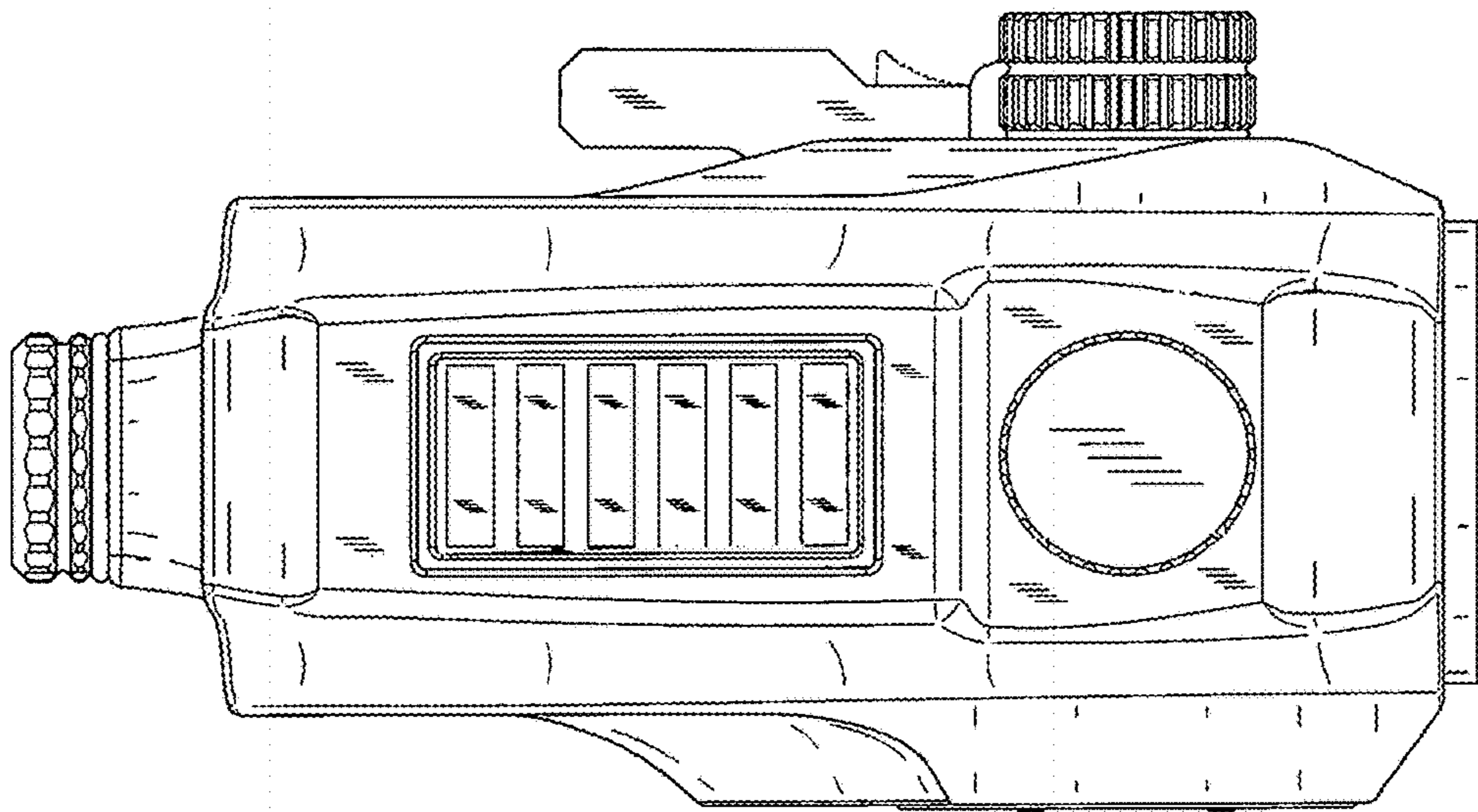


FIG.6

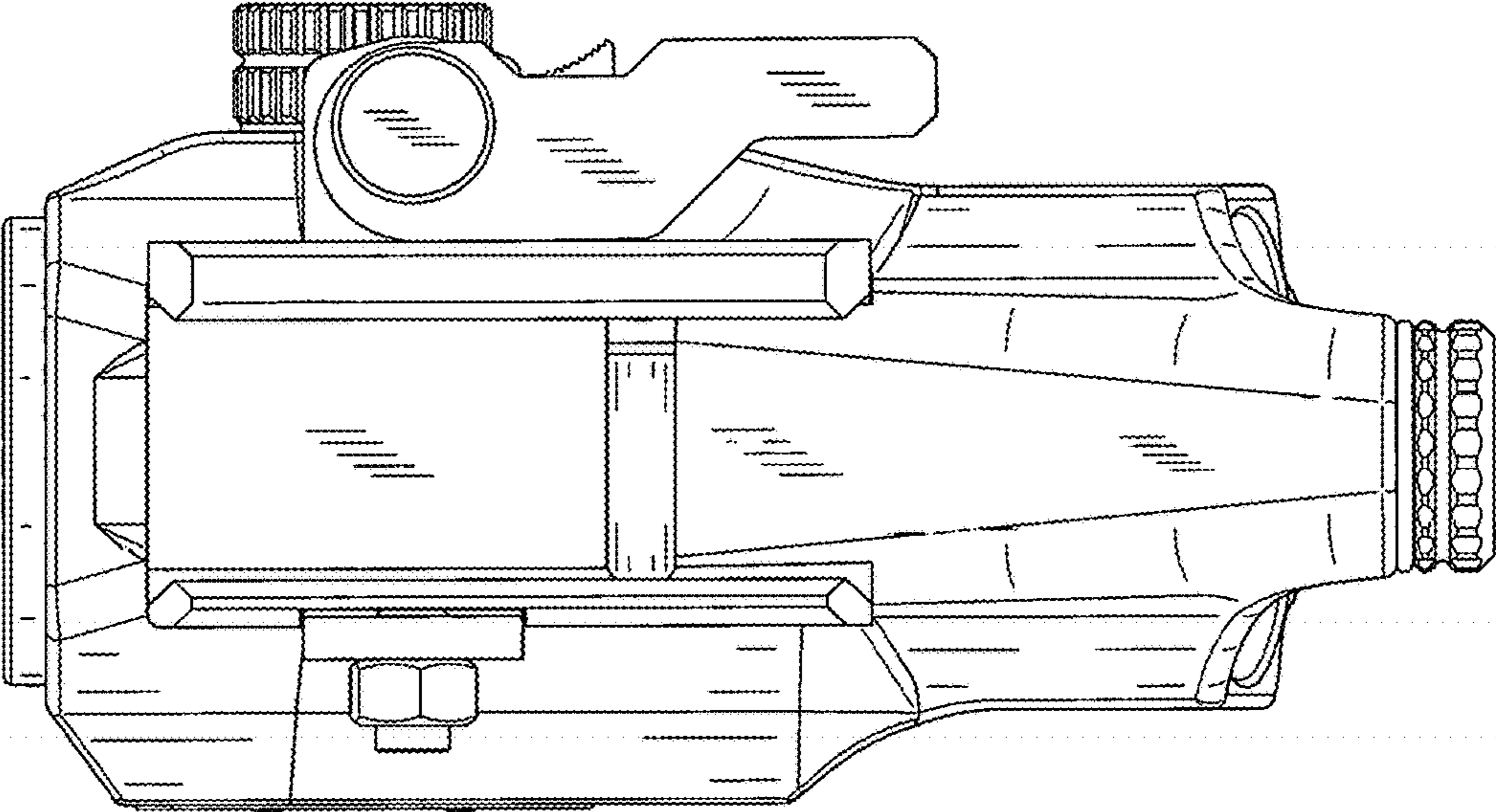


FIG.7

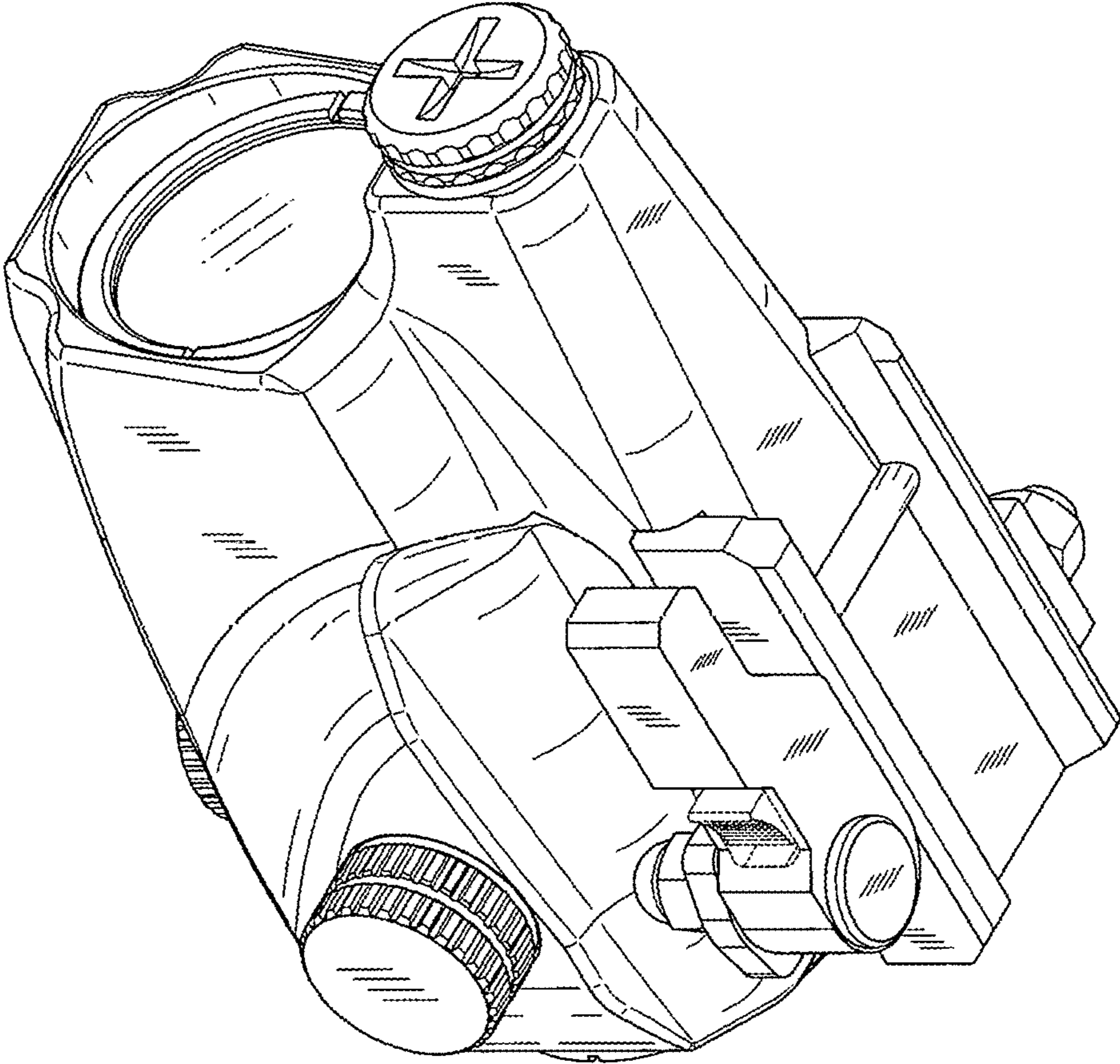


FIG.8

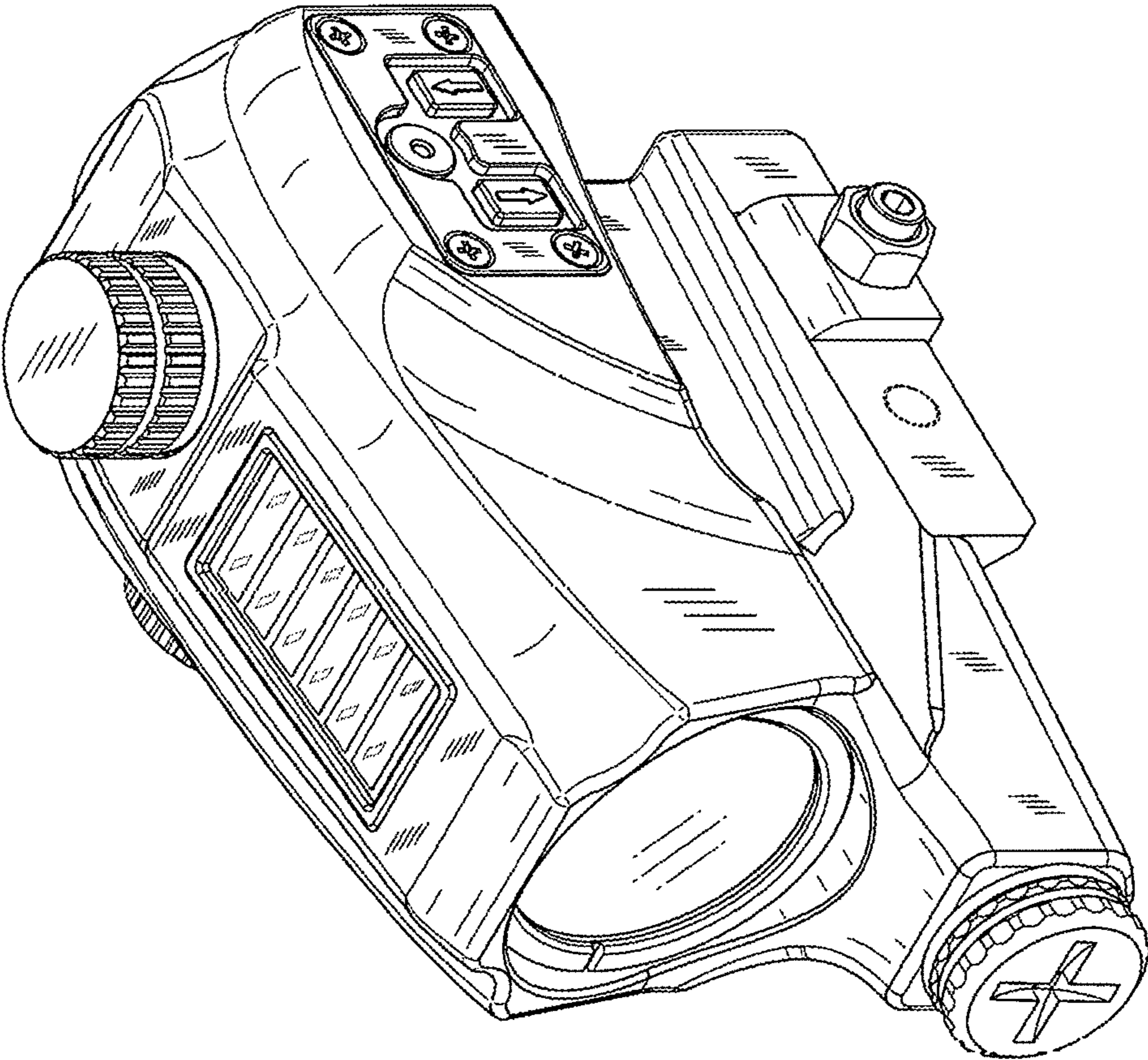


FIG. 9