



US00D856457S

(12) **United States Design Patent**  
**Montes et al.**

(10) **Patent No.:** **US D856,457 S**

(45) **Date of Patent:** **\*\* Aug. 13, 2019**

(54) **FIREARM SAFETY LEVER**

(71) Applicant: **Phase 5 Weapon Systems Inc.**,  
Roseville, CA (US)

(72) Inventors: **Kenneth Montes**, Roseville, CA (US);  
**Leon A. Wauters**, Roseville, CA (US)

(73) Assignee: **Phase 5 Weapon Systems Inc.**,  
Roseville, CA (US)

(\*\*) Term: **15 Years**

(21) Appl. No.: **29/648,689**

(22) Filed: **May 23, 2018**

(51) **LOC (12) Cl.** ..... **22-01**

(52) **U.S. Cl.**  
USPC ..... **D22/108**

(58) **Field of Classification Search**

USPC ..... D22/100, 101, 102, 103, 104, 105, 106,  
D22/107, 108, 109, 110, 111, 115, 116,  
D22/199; D21/300, 301, 302, 306, 334,  
D21/335, 443, 571, 573-575, 746

CPC ..... F41C 23/14; F41C 23/20; F41C 23/04;  
F41C 23/00; F41C 23/10; F41C 27/00;  
F41C 7/00; F41C 23/06; F41C 3/00;  
F41B 5/10; F41B 5/14; F41B 5/0094;  
F41B 5/1469; F41B 5/00

See application file for complete search history.

(56) **References Cited**

**U.S. PATENT DOCUMENTS**

D356,944 S \* 4/1995 Spaulding ..... D8/308

D566,520 S \* 4/2008 Samhammer ..... D8/331

(Continued)

**OTHER PUBLICATIONS**

“Product 360°-90° Ambidextrous Safety Selector (SAFE90)” [online].  
Phase 5 Weapon Systems. [Published on Jun. 18, 2018]. Retrieved

from the Internet: <<https://www.youtube.com/watch?v=eV-Xf6vCOuc>>.\*

(Continued)

*Primary Examiner* — Khawaja Anwar

*Assistant Examiner* — Mojtaba Tehrani

(74) *Attorney, Agent, or Firm* — Law Office of Andrei D  
Popovici, PC

(57) **CLAIM**

The ornamental design for a firearm safety lever, as shown  
and described.

**DESCRIPTION**

FIG. 1 is a top front isometric view of the first embodiment  
of a firearm safety lever, showing our new design;

FIG. 2 is a top rear isometric view thereof.

FIG. 3 is bottom front isometric view thereof.

FIG. 4 is a bottom rear isometric view thereof.

FIG. 5 is a top view thereof.

FIG. 6 is a bottom view thereof.

FIG. 7 is a first side view thereof.

FIG. 8 is a second side view thereof.

FIG. 9 is a front view thereof.

FIG. 10 is a rear view thereof.

FIG. 11 is a top front isometric view of the second embodi-  
ment of a firearm safety lever, showing our new design;

FIG. 12 is a top rear isometric view thereof.

FIG. 13 is bottom front isometric view thereof.

FIG. 14 is a bottom rear isometric view thereof.

FIG. 15 is a top view thereof.

FIG. 16 is a bottom view thereof.

FIG. 17 is a first side view thereof.

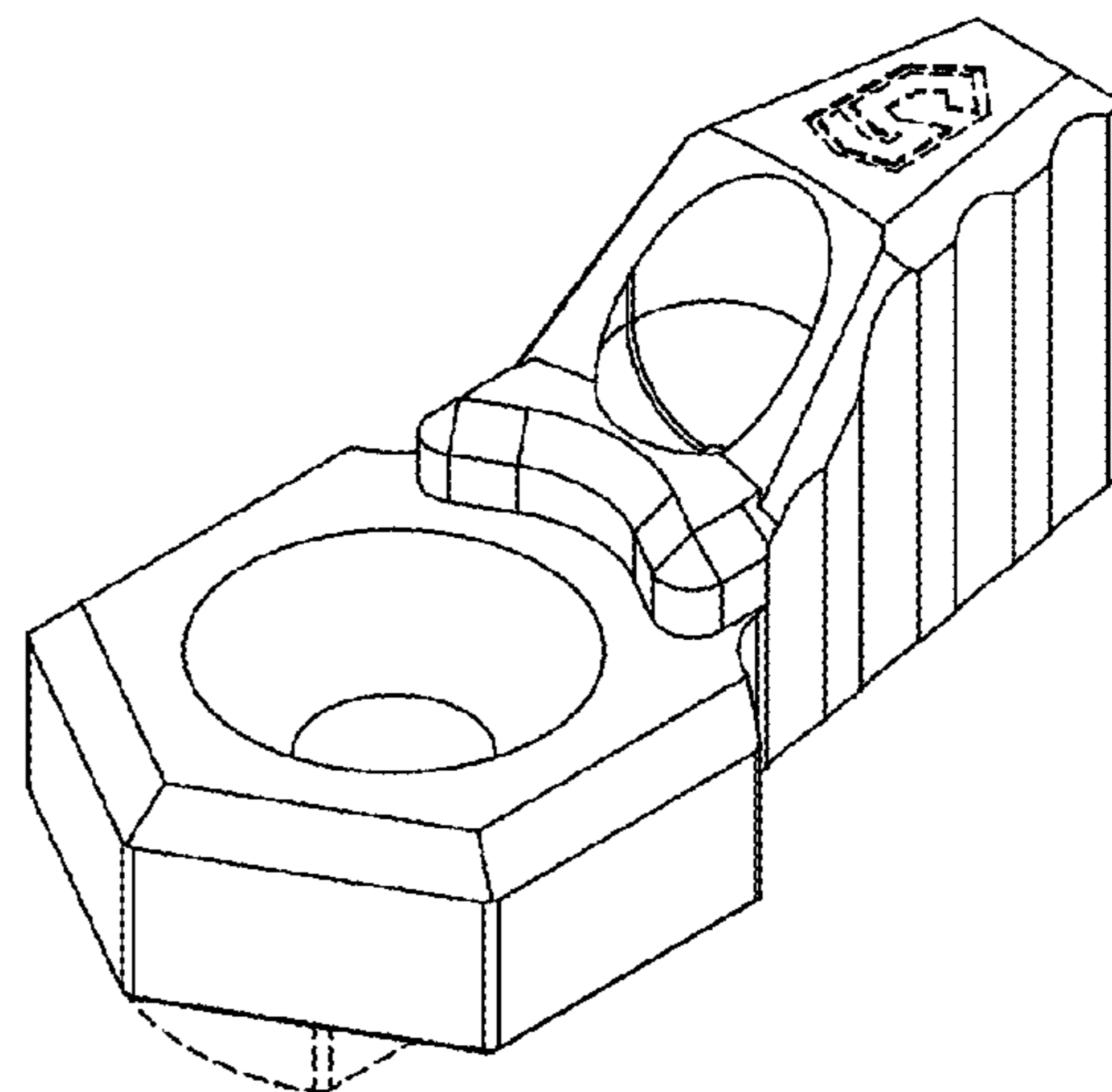
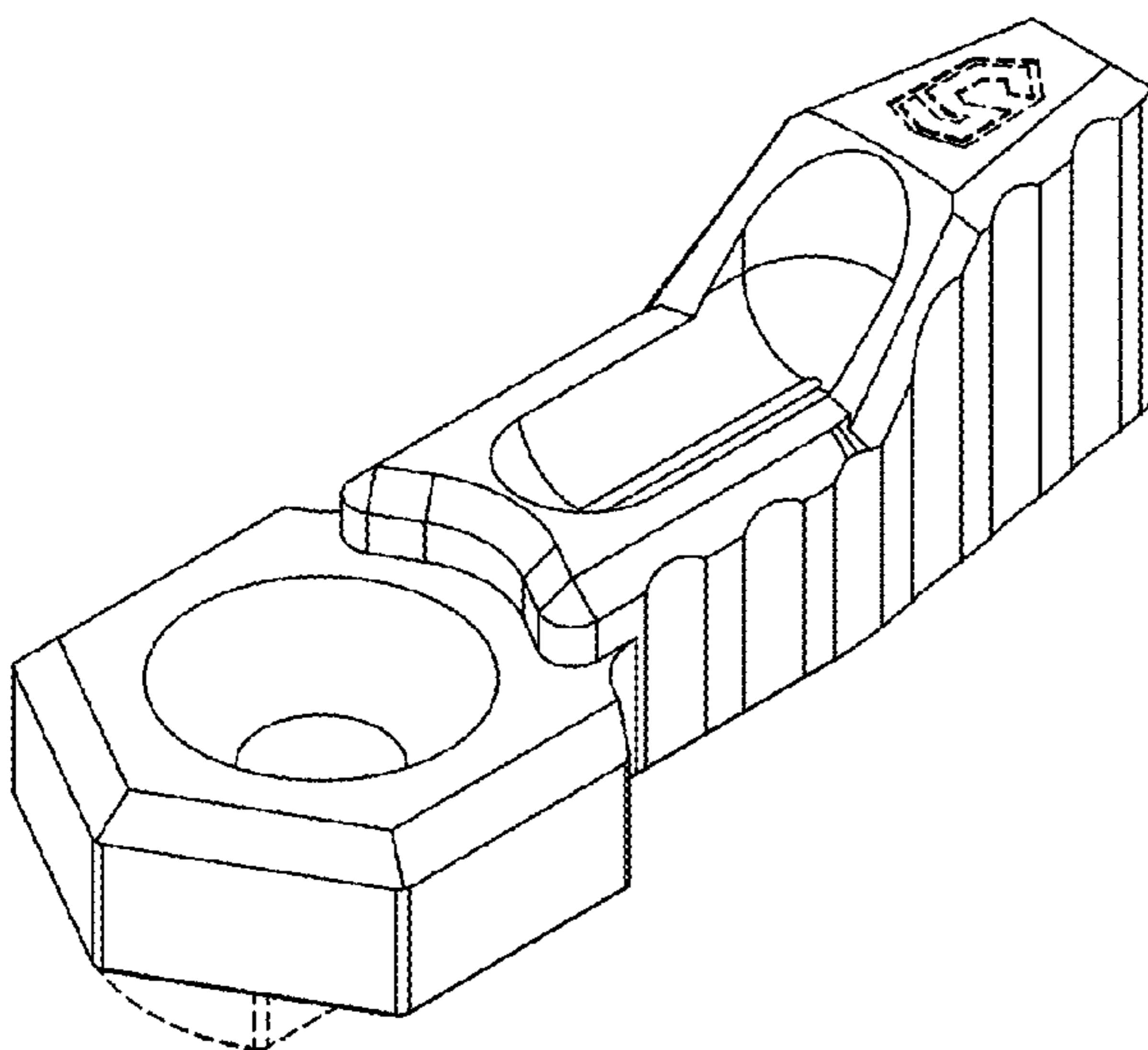
FIG. 18 is a second side view thereof.

FIG. 19 is a front view thereof; and,

FIG. 20 is a rear view thereof.

The broken line in the drawings depicts unclaimed portion  
of the safety lever only and forms no part of the claimed  
design.

**1 Claim, 10 Drawing Sheets**



(56)

**References Cited**

U.S. PATENT DOCUMENTS

D639,378 S \* 6/2011 Burt ..... D22/108  
D723,646 S \* 3/2015 Keezer ..... D22/108  
D741,440 S \* 10/2015 Hormann ..... D22/108  
9,587,897 B1 \* 3/2017 Huang ..... F41A 17/00  
D786,649 S \* 5/2017 Huang ..... D8/308  
D841,755 S \* 2/2019 Pavlick ..... D22/108  
2008/0302235 A1 \* 12/2008 Lauck ..... F41A 17/46  
89/132  
2016/0091268 A1 \* 3/2016 Miller, III ..... F41A 17/46  
42/70.06

OTHER PUBLICATIONS

“Flip Switch” [online]. strikeindustries.com. [Retrieved on Mar. 14, 2019]. Retrieved from the Internet: <<https://www.strikeindustries.com/shop/products/rifle-accessories/flip-switch.html>>.\*

“Strike Industries AR15 Selector Switches” [online]. Tom R. [Published on Jan. 7, 2015]. Retrieved from the Internet: <<https://www.thefirearmblog.com/blog/2015/01/07/strike-industries-ultimate-selector-switch-installation-review/>>.\*

\* cited by examiner

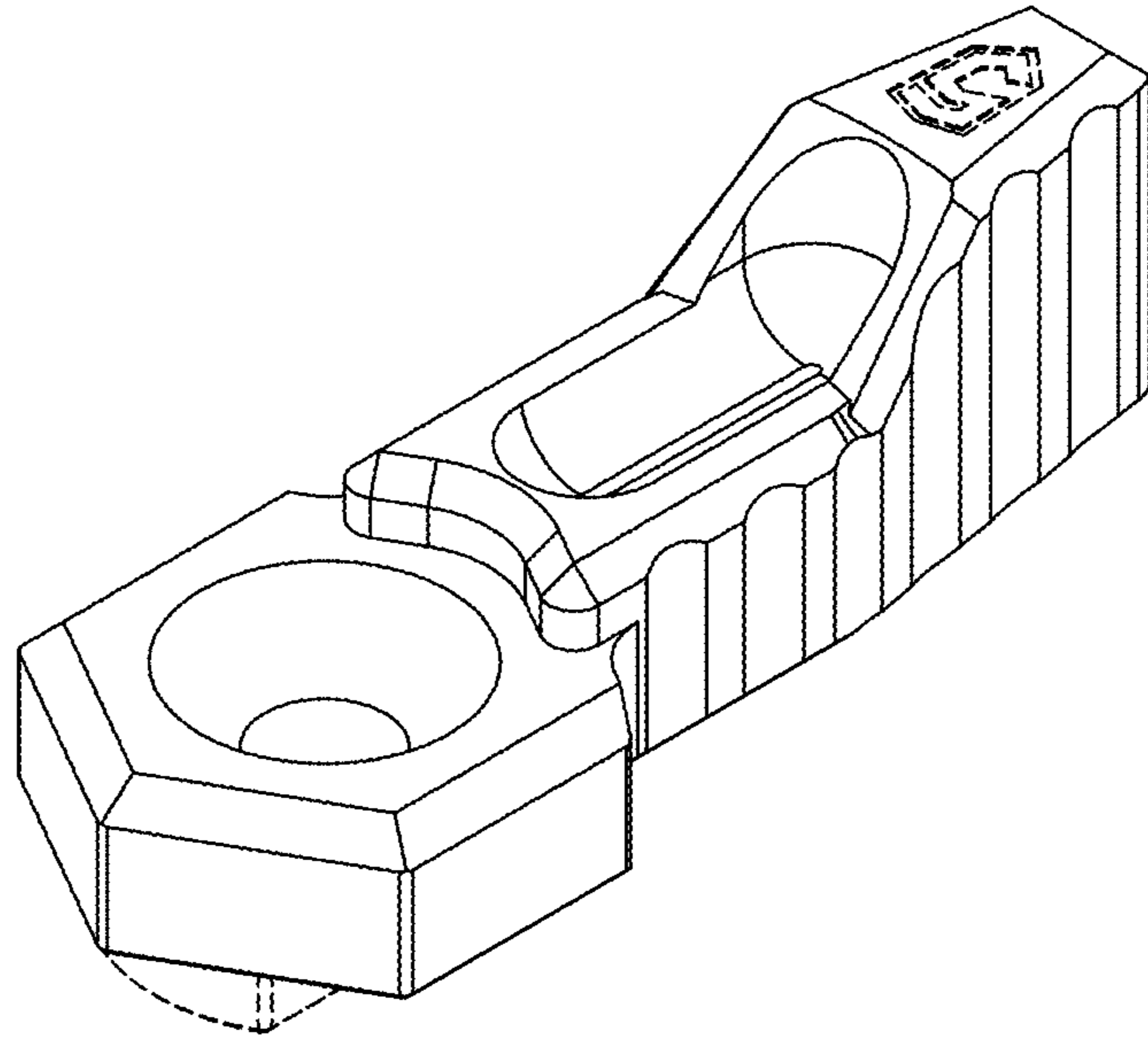


FIG. 1

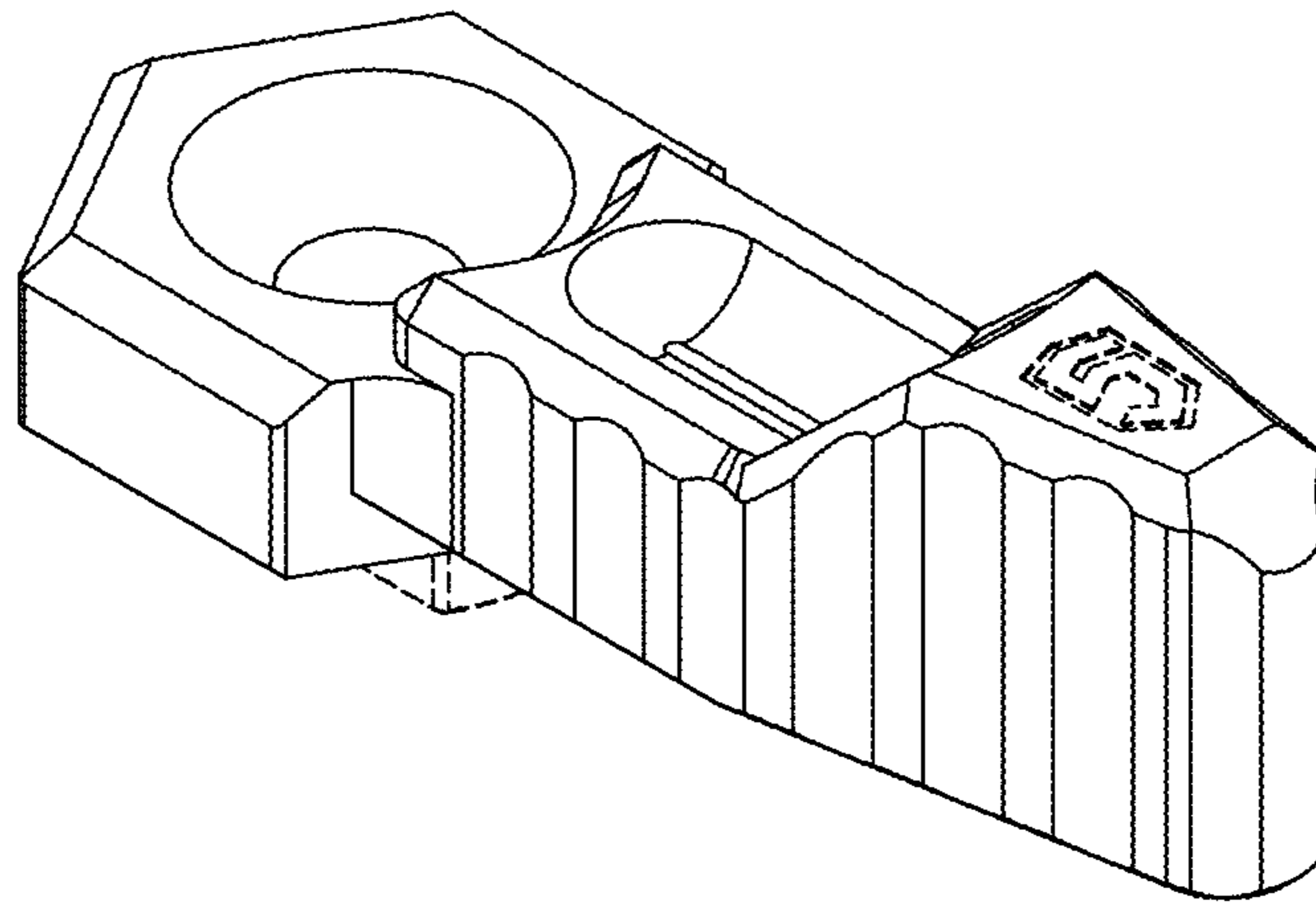


FIG. 2

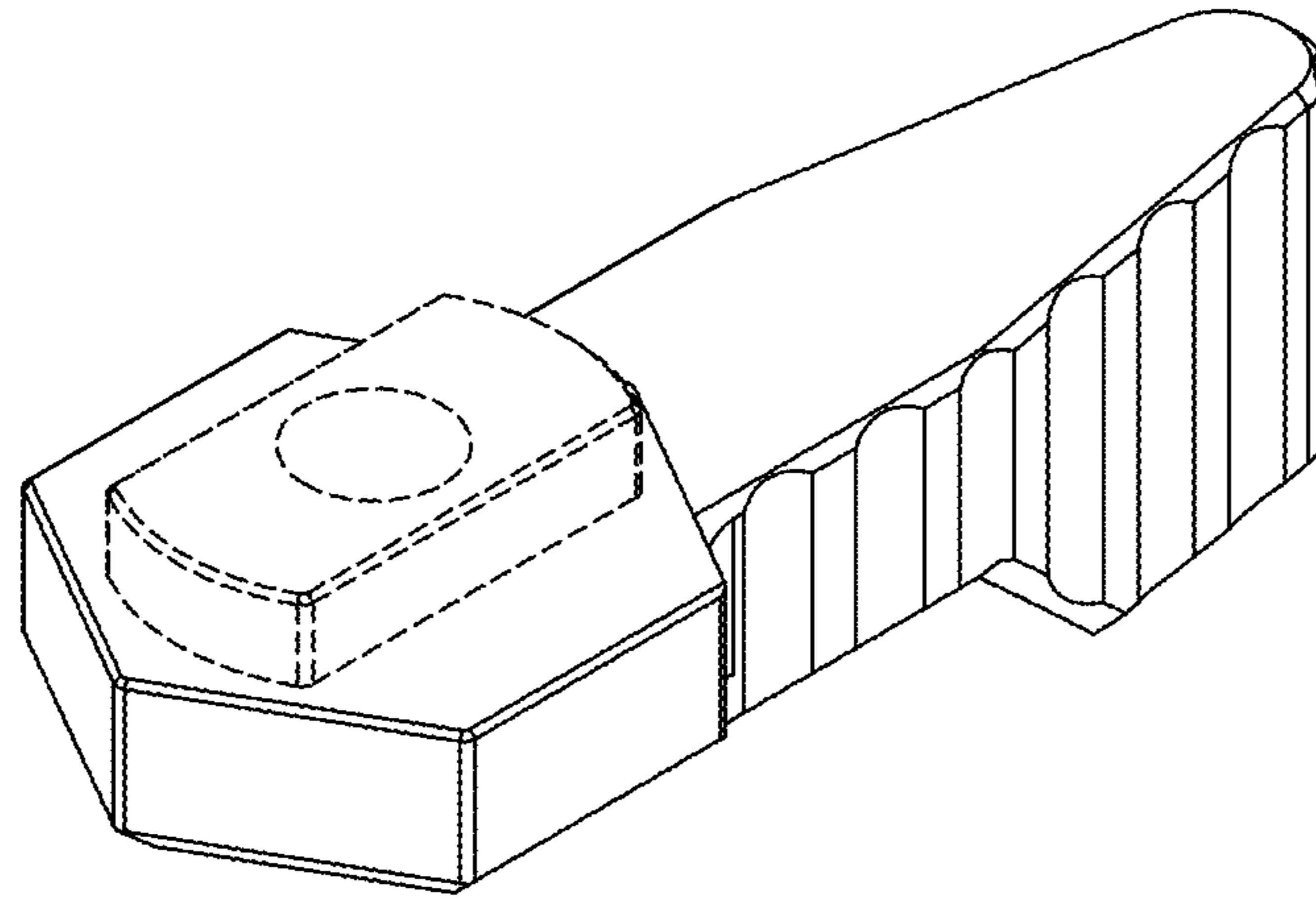


FIG. 3

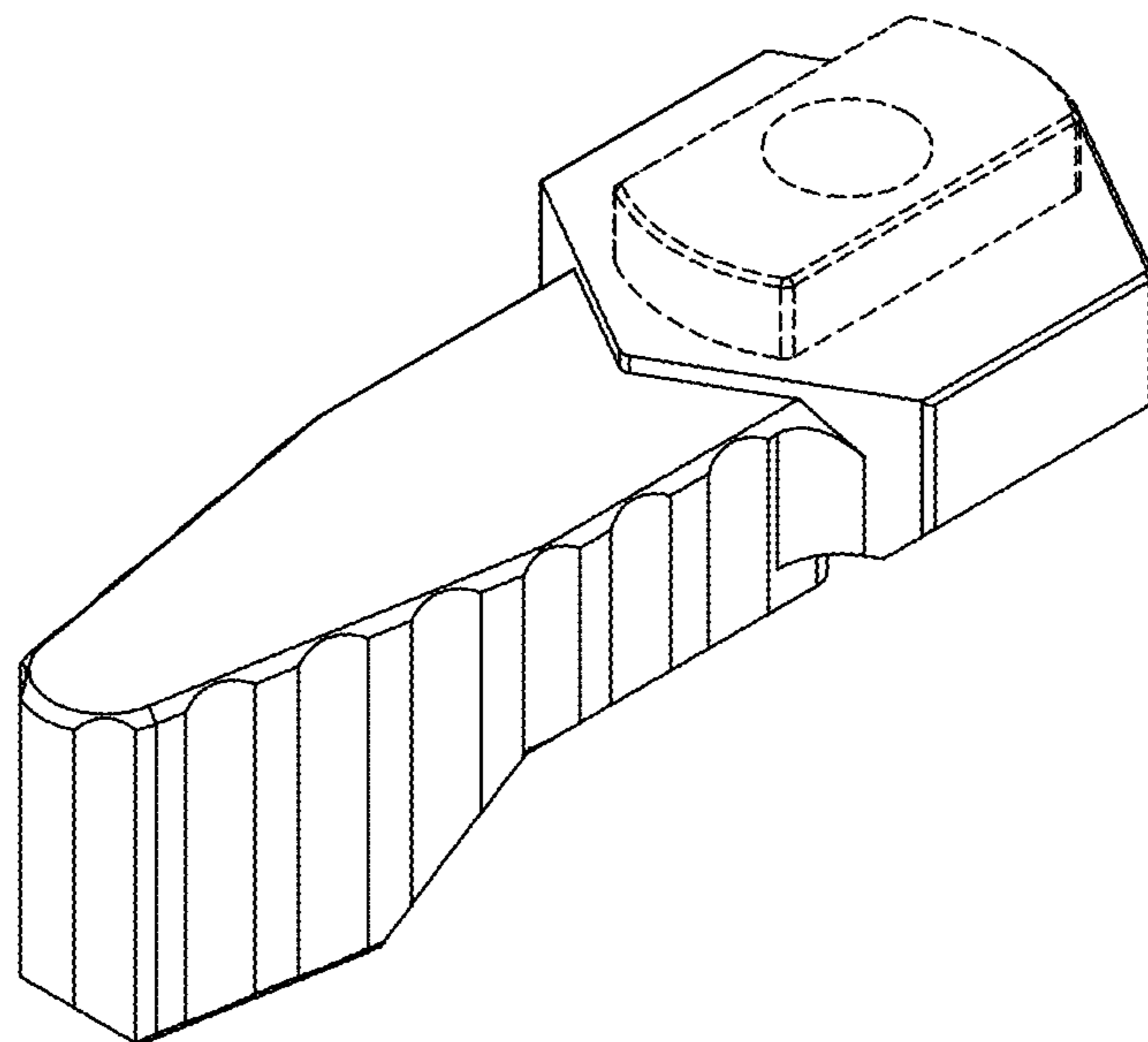


FIG. 4

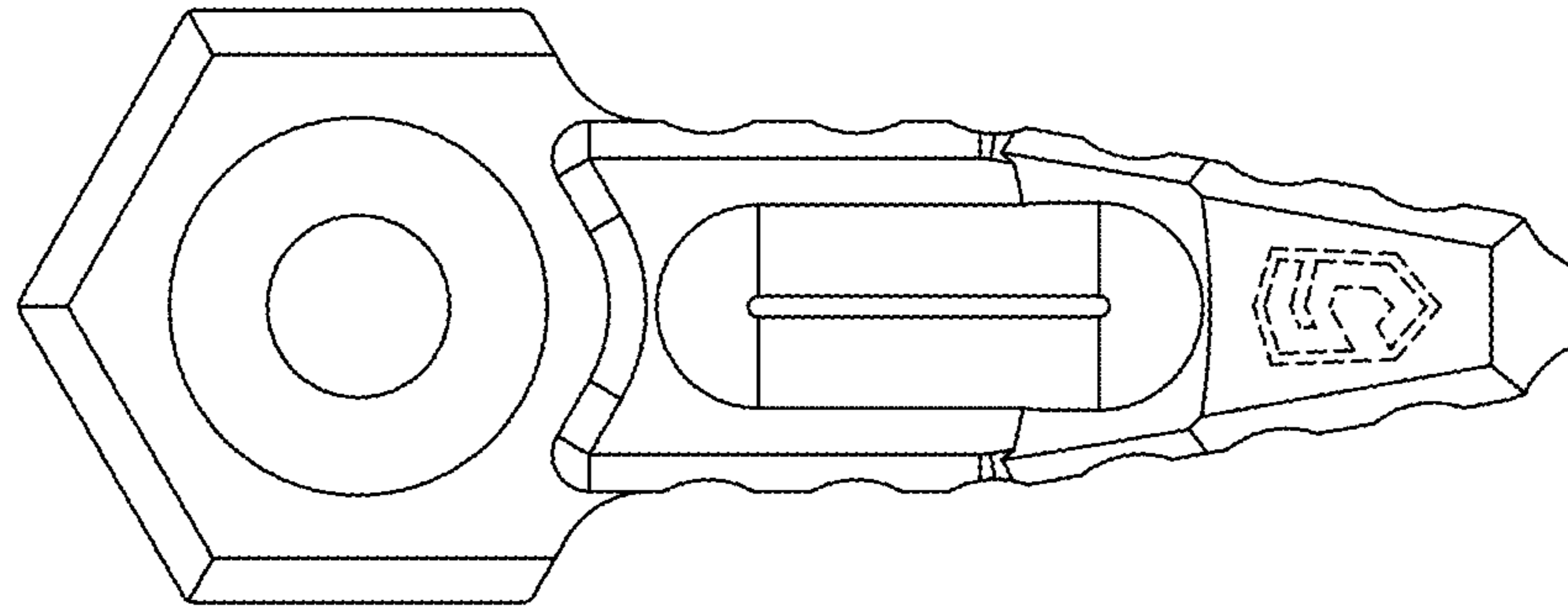


FIG. 5

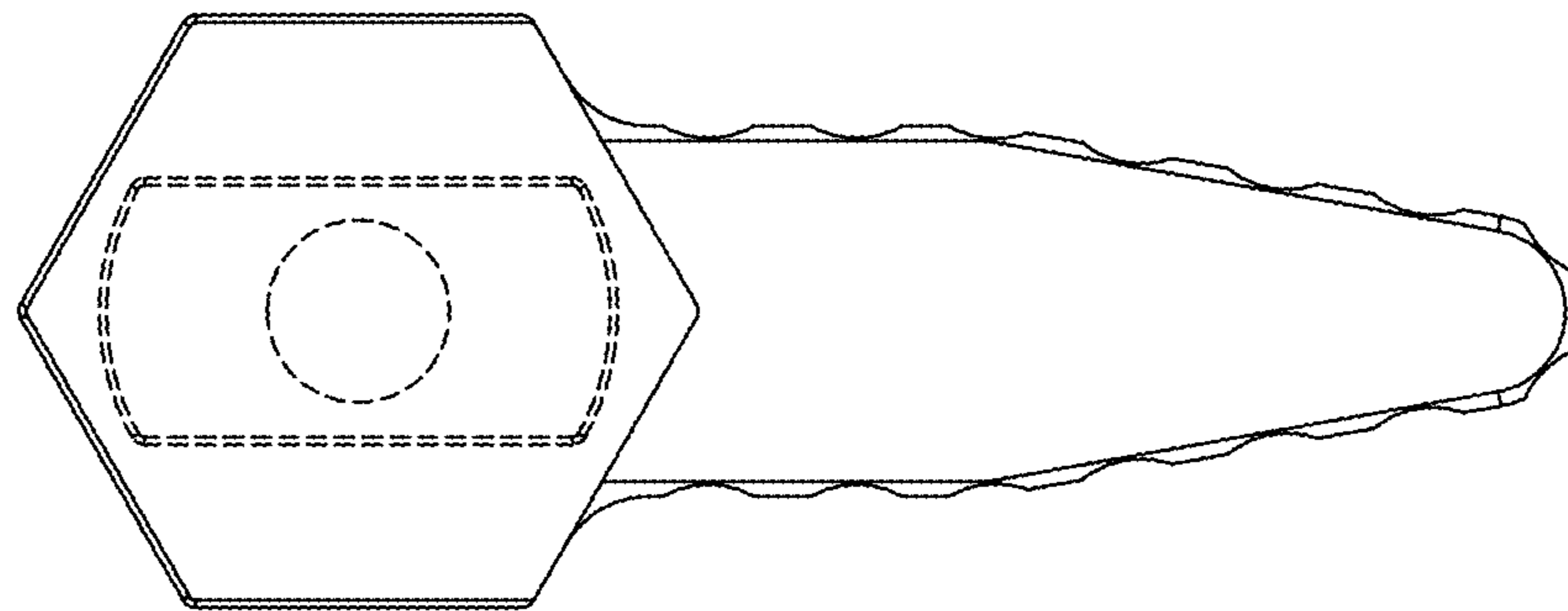


FIG. 6

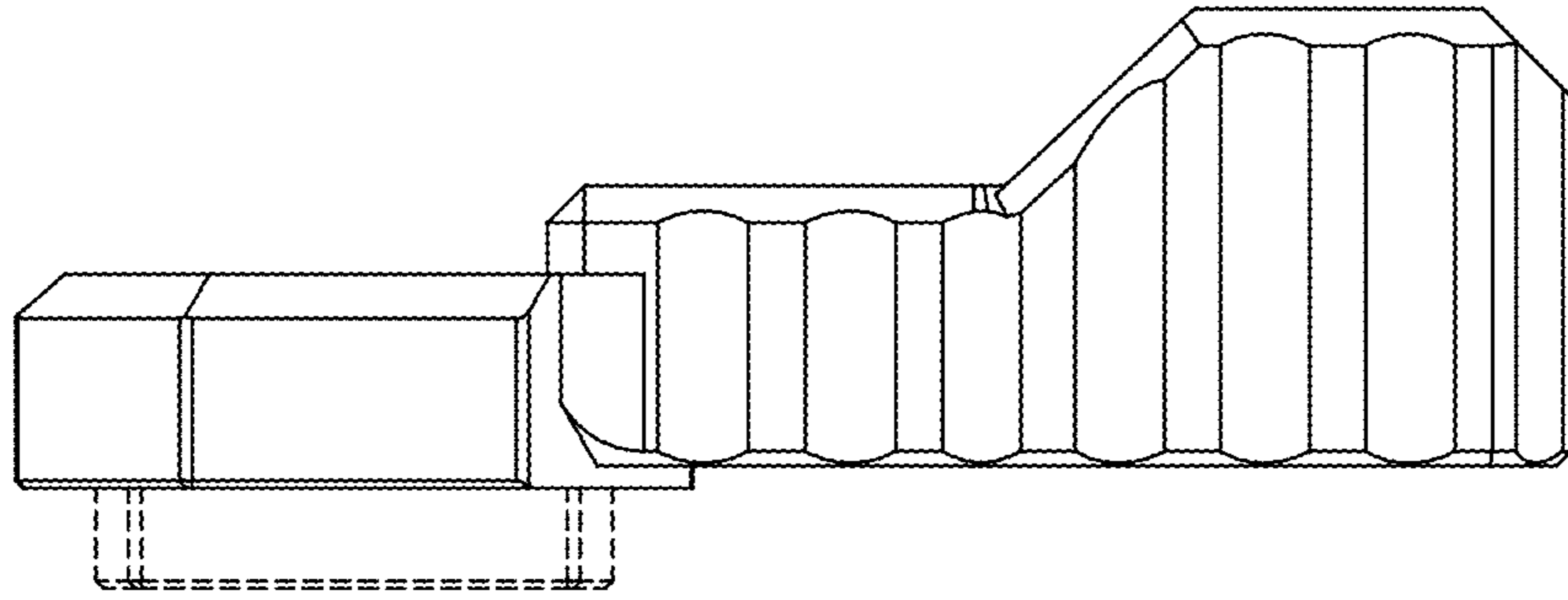


FIG. 7

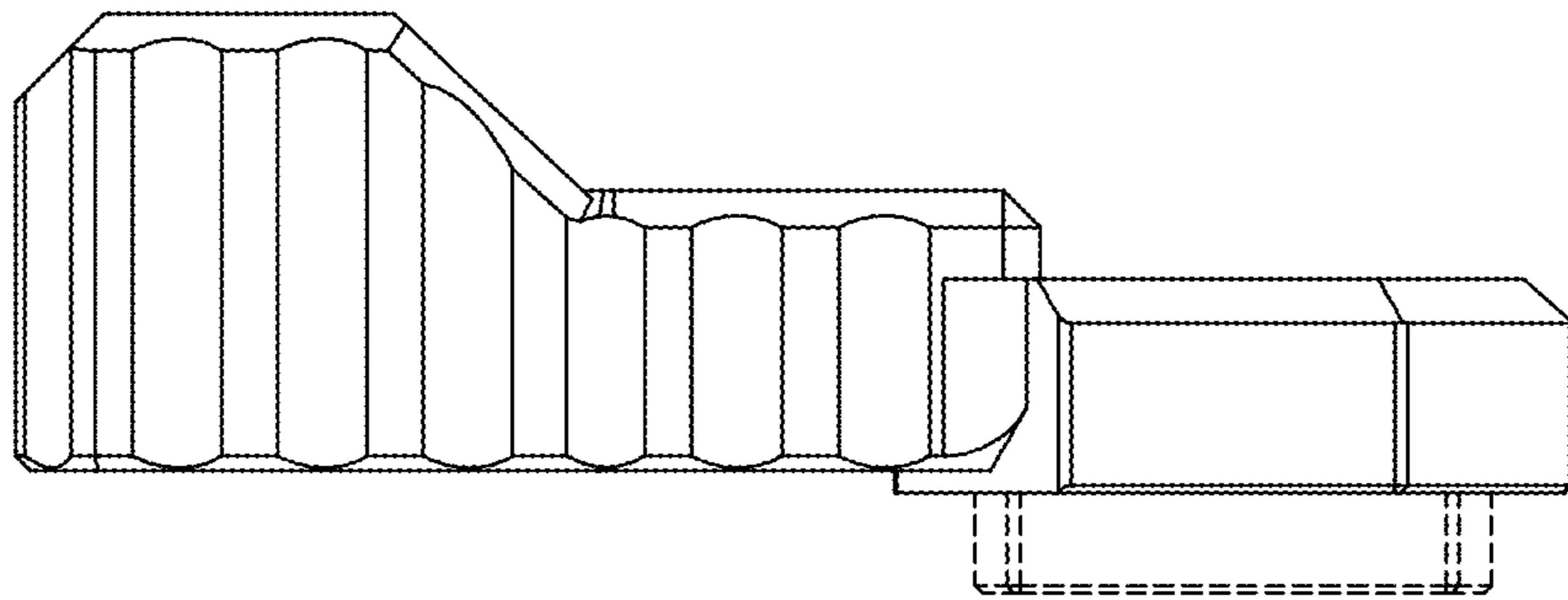


FIG. 8

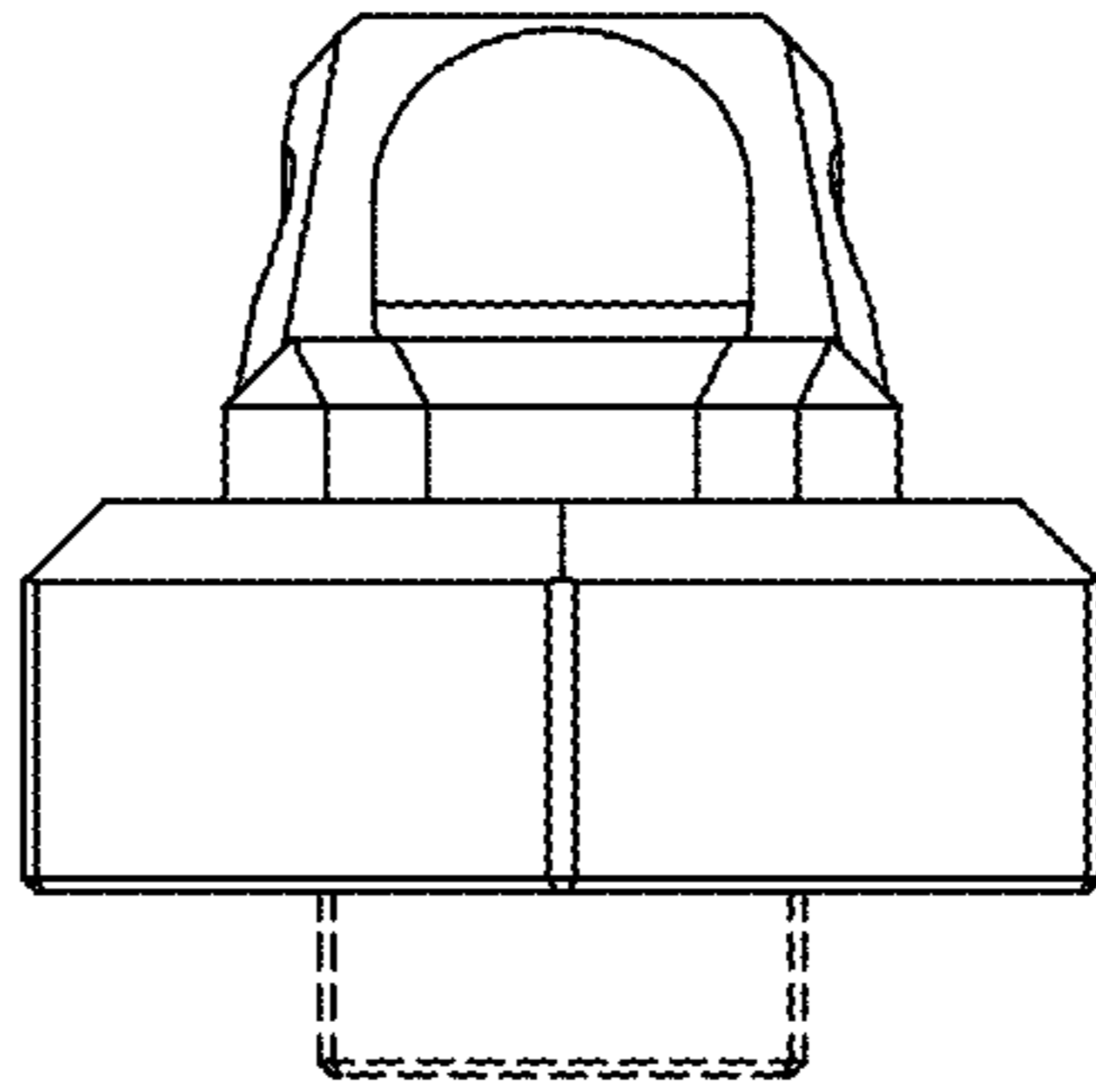


FIG. 9

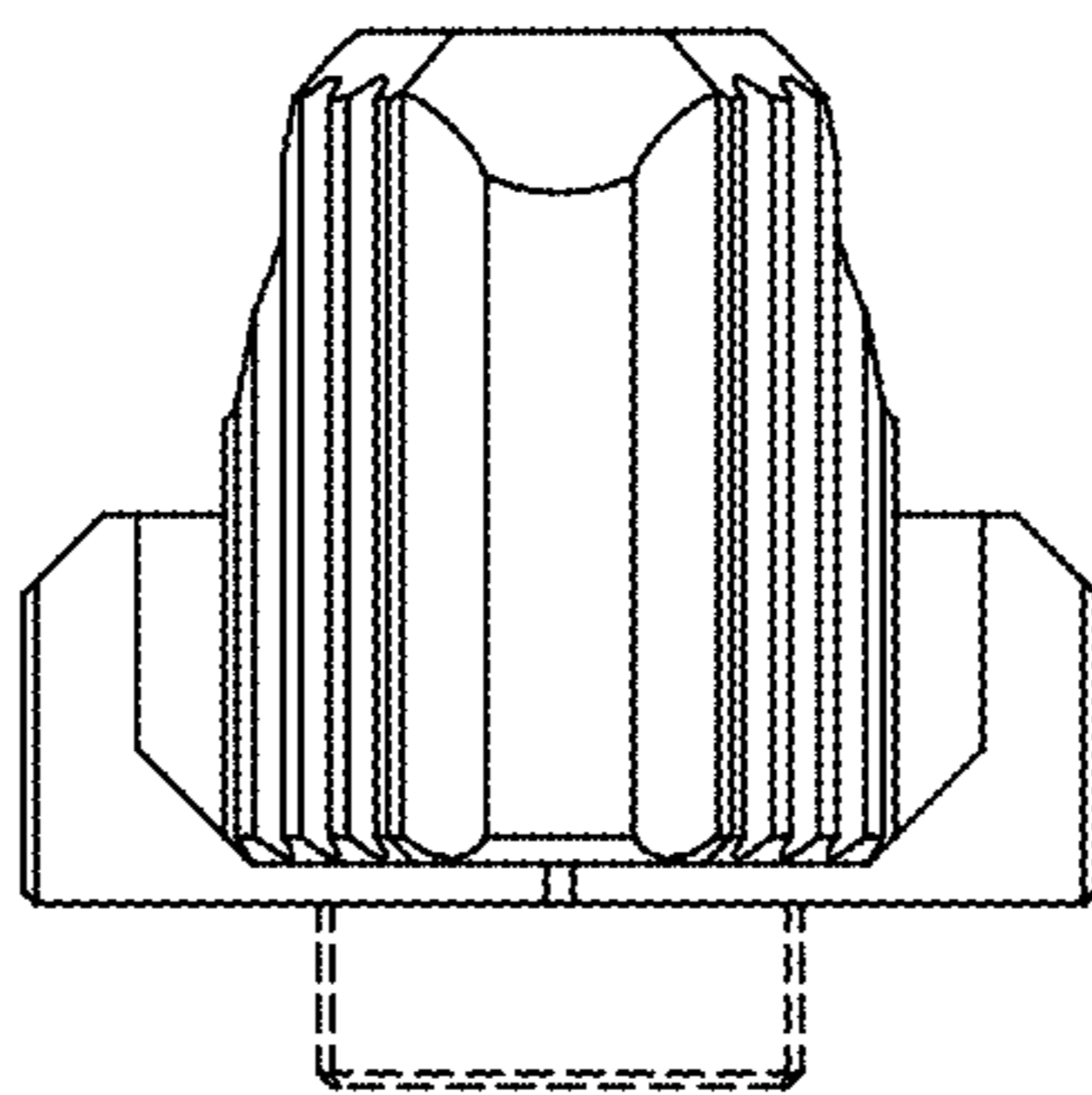


FIG. 10

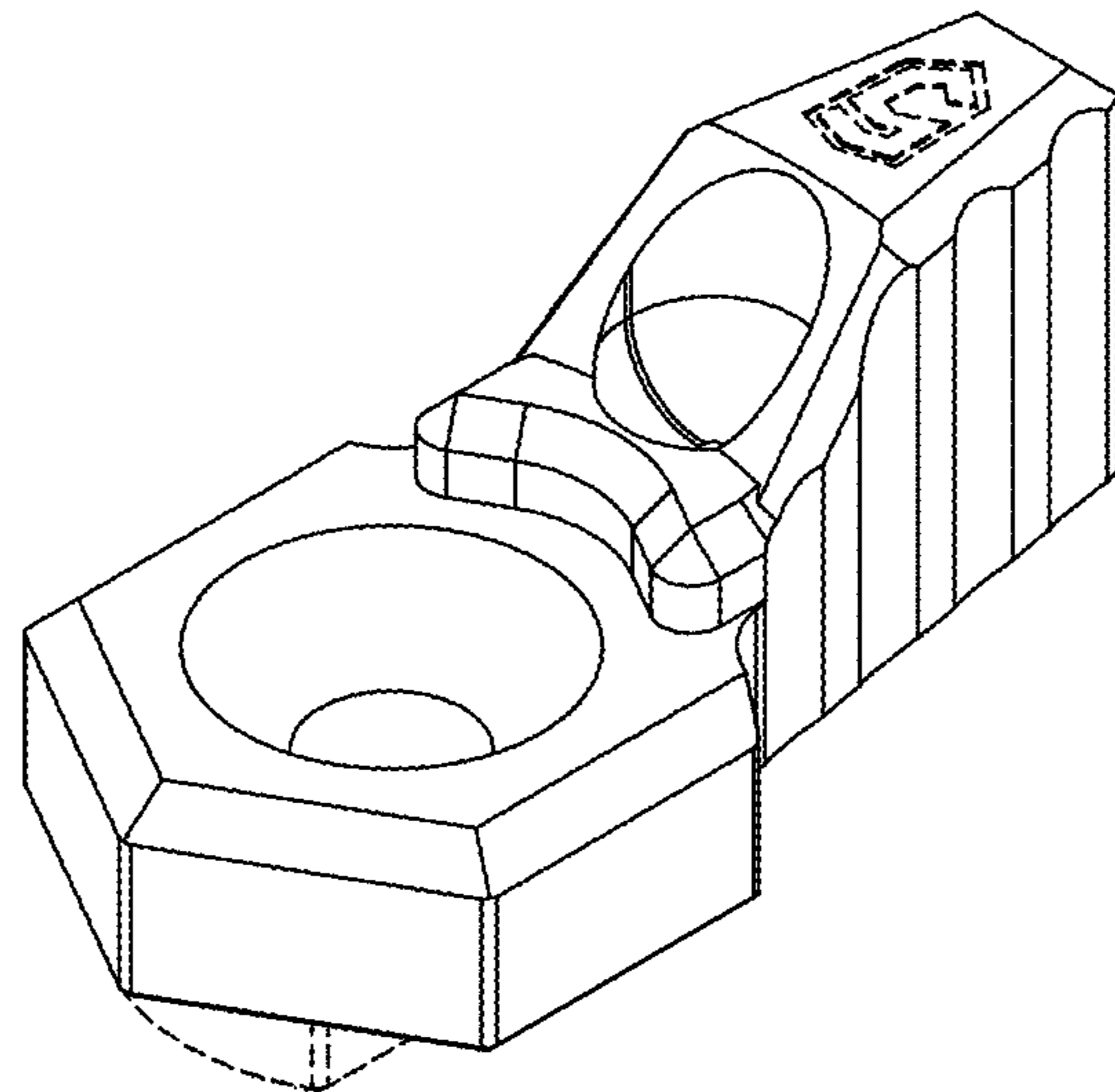


FIG. 11

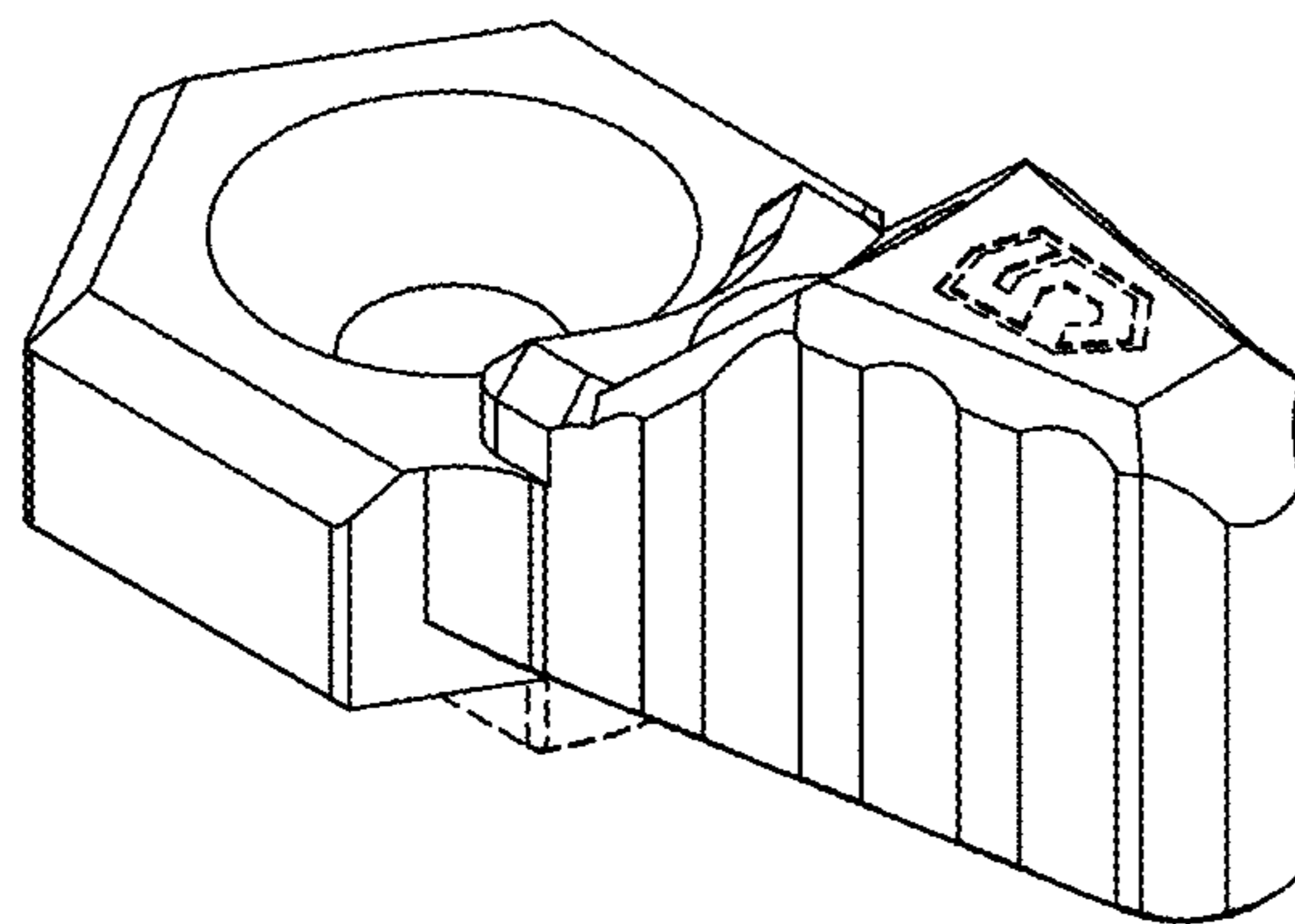


FIG. 12



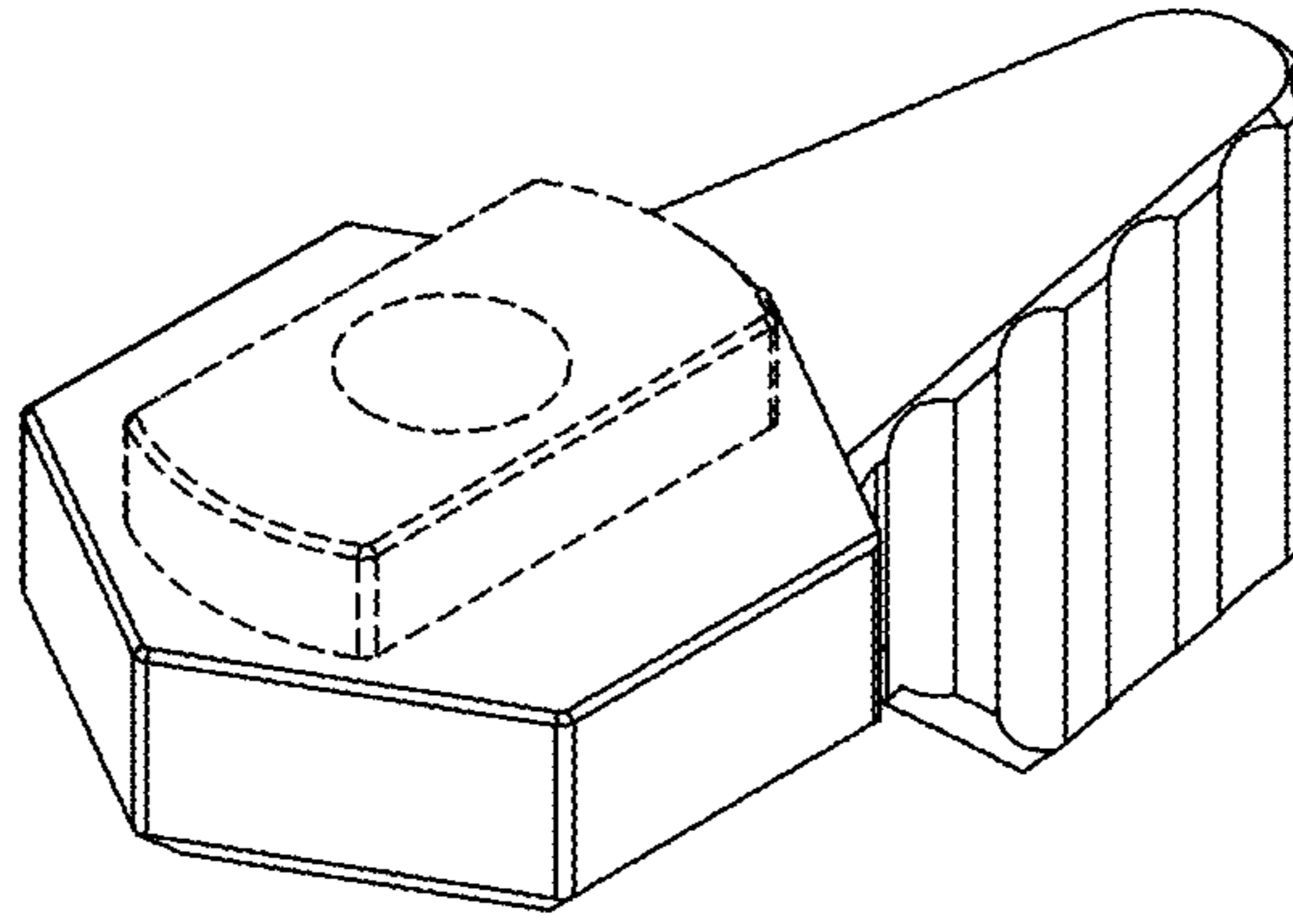


FIG. 13

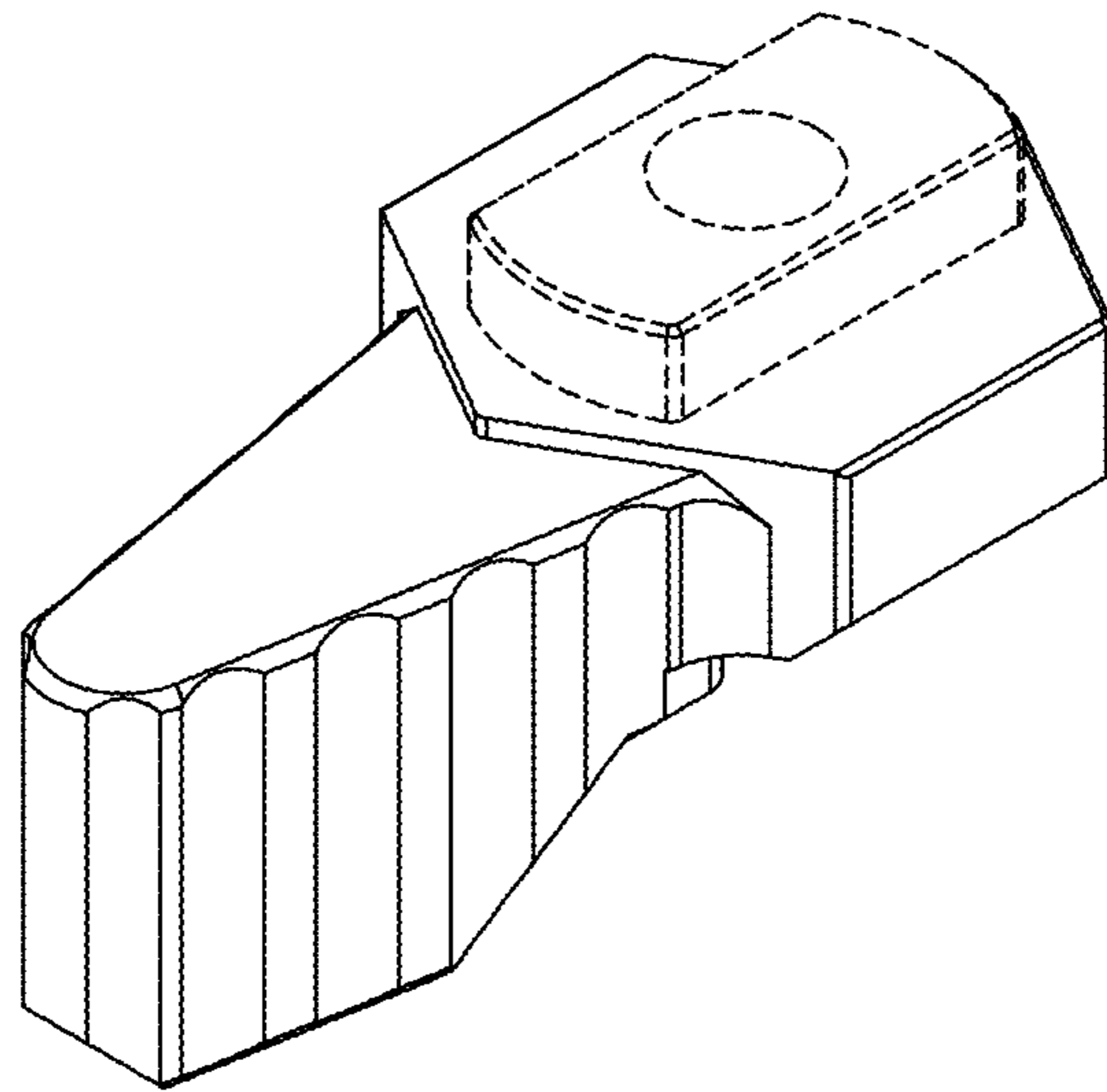


FIG. 14

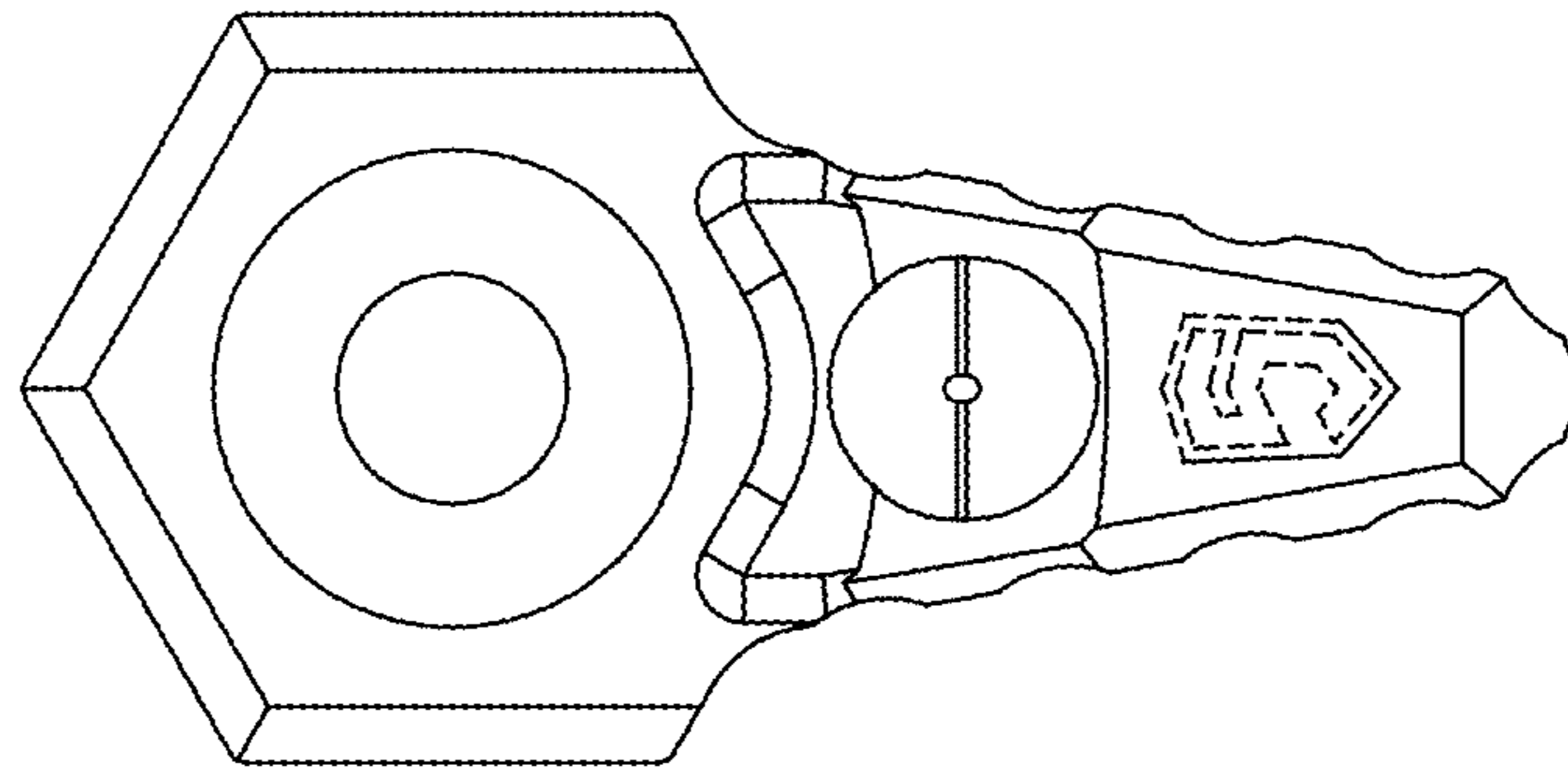


FIG. 15

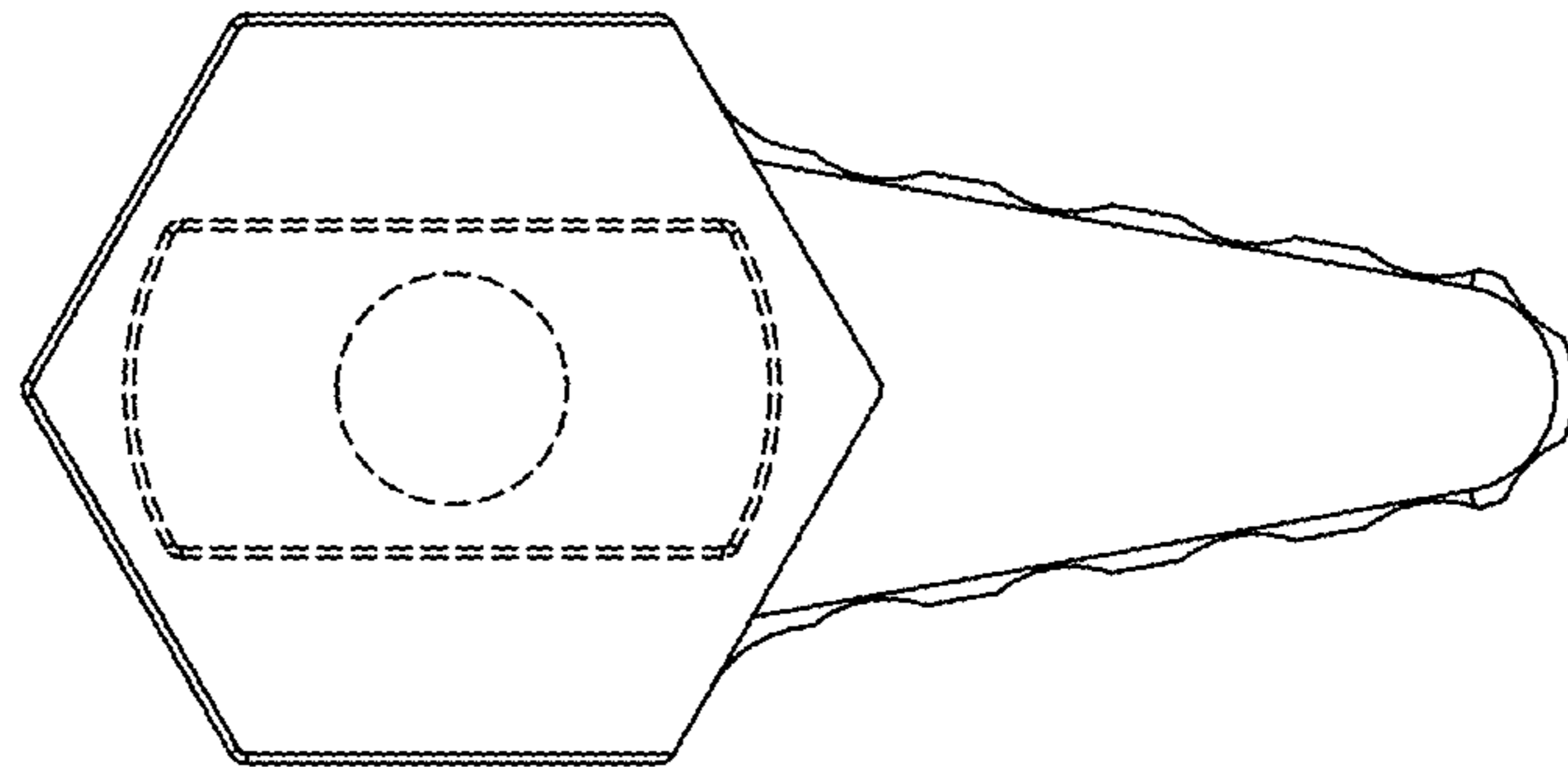


FIG. 16

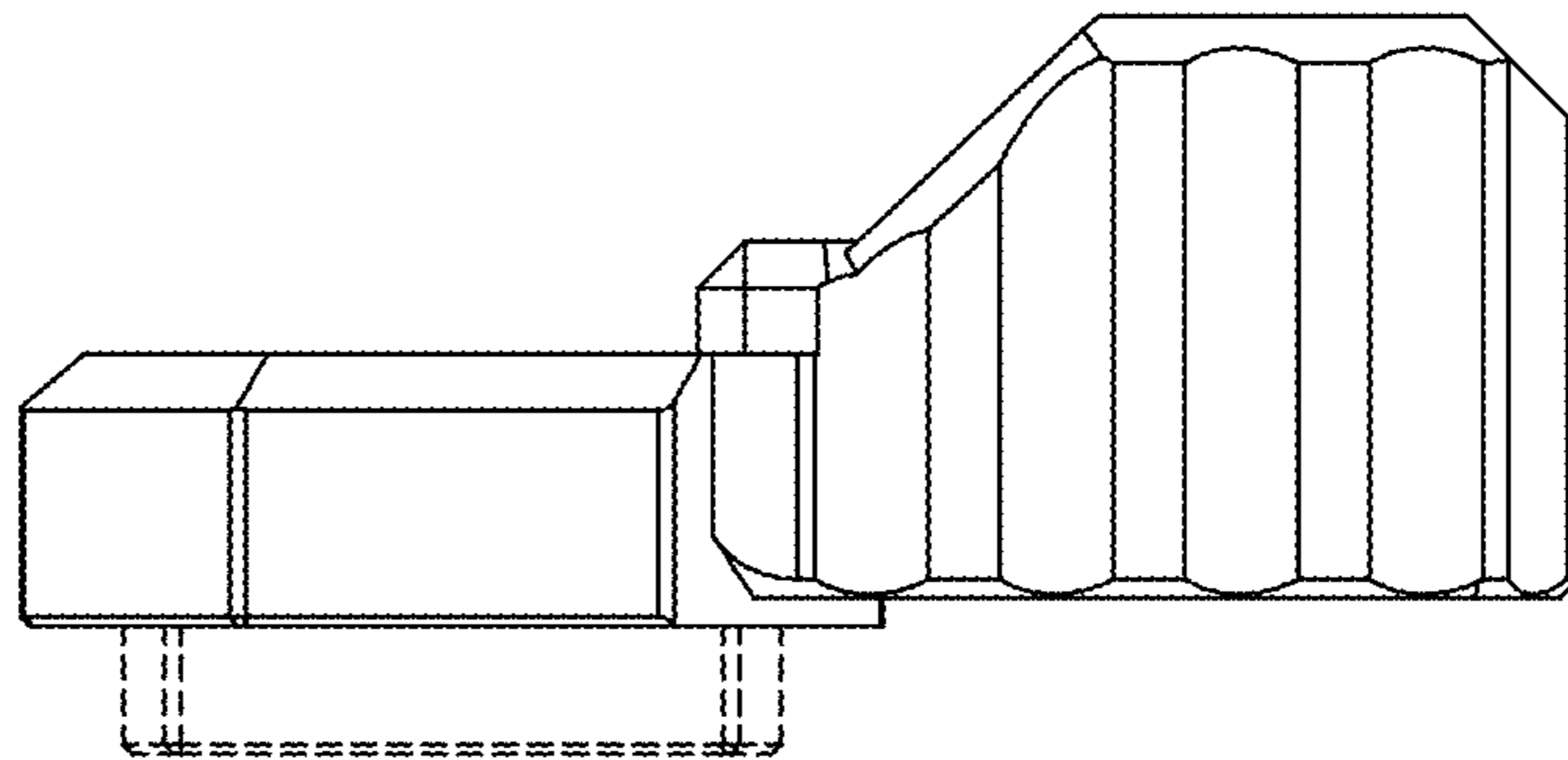


FIG. 17

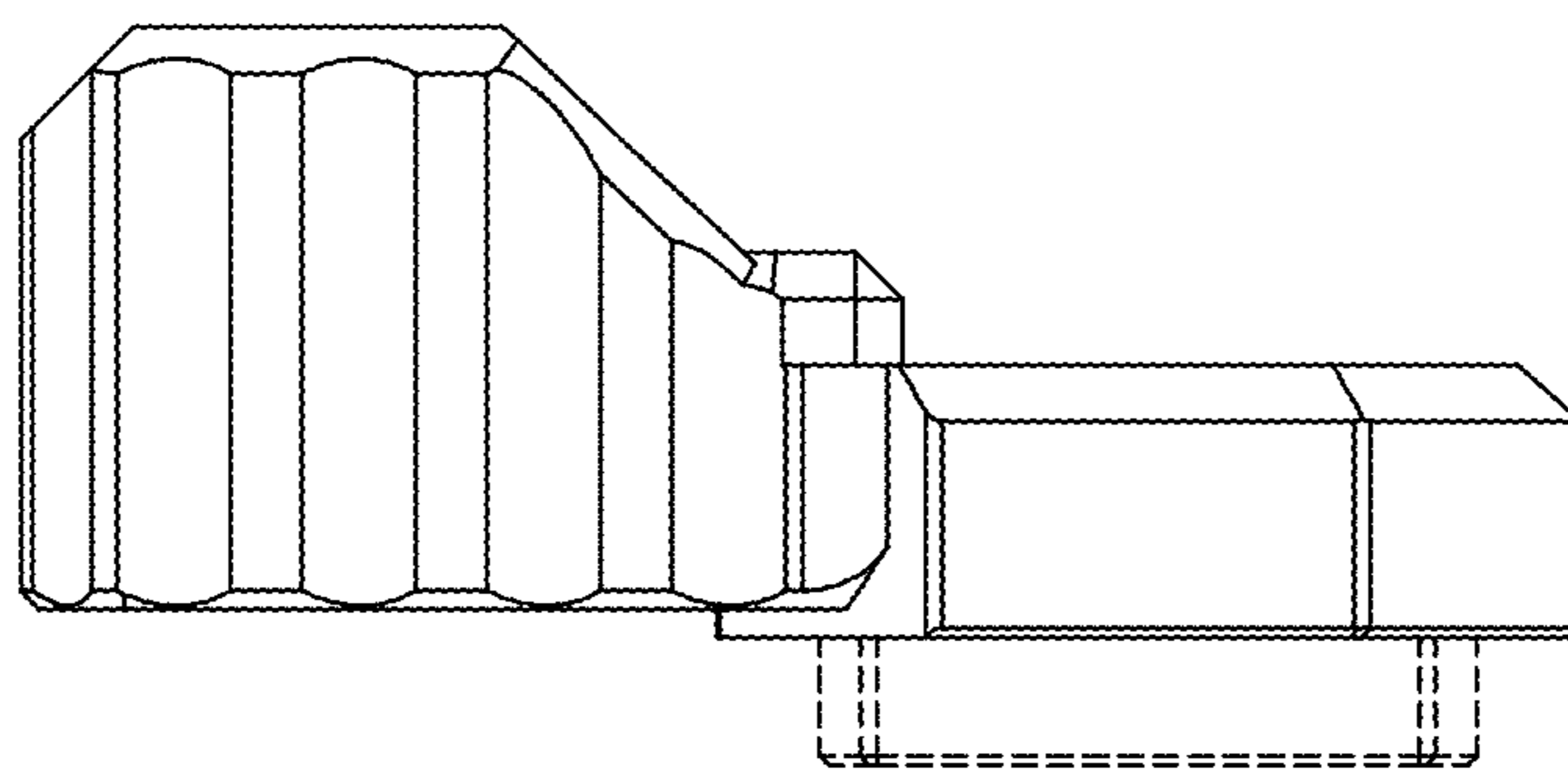


FIG. 18

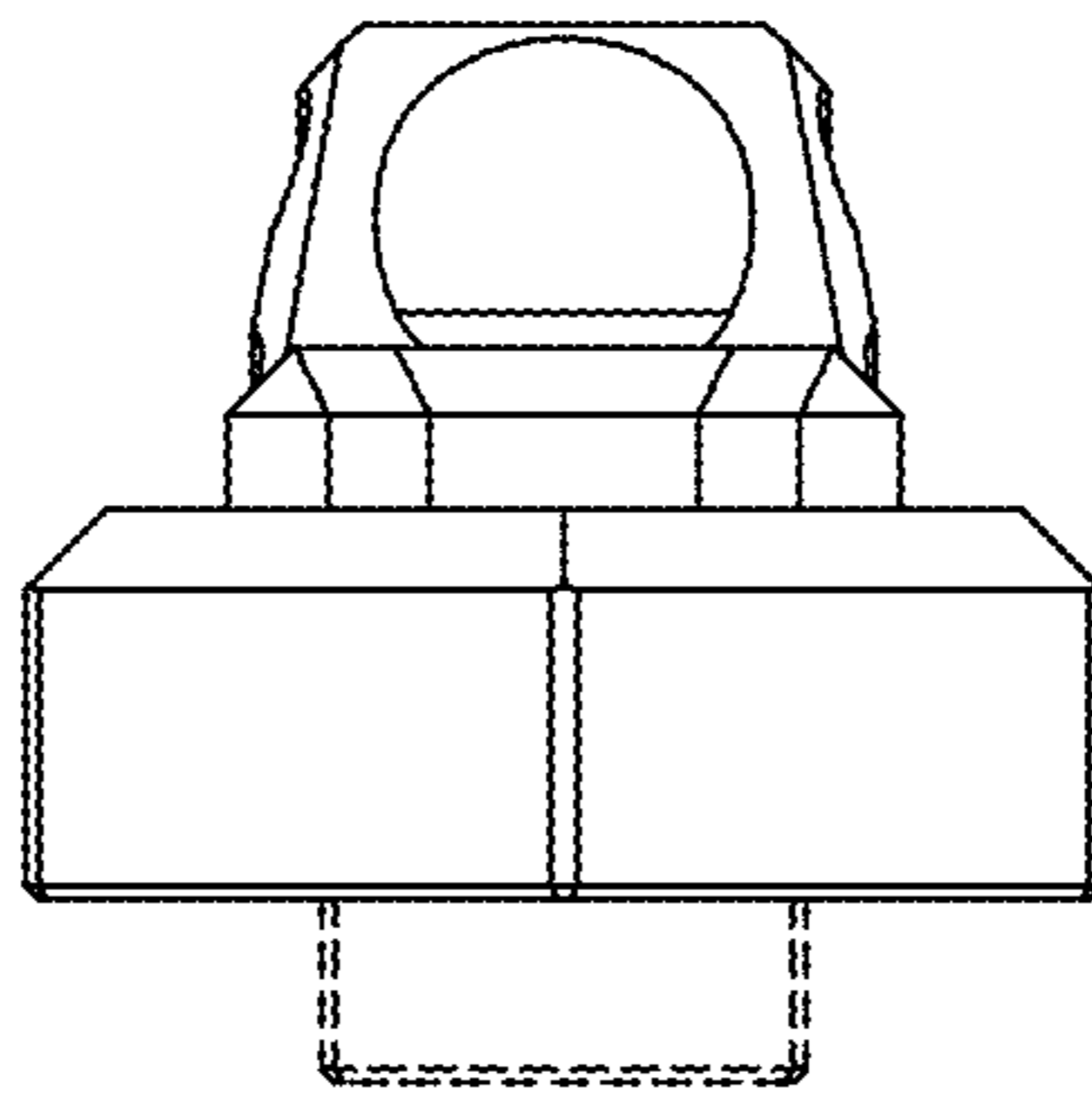


FIG. 19

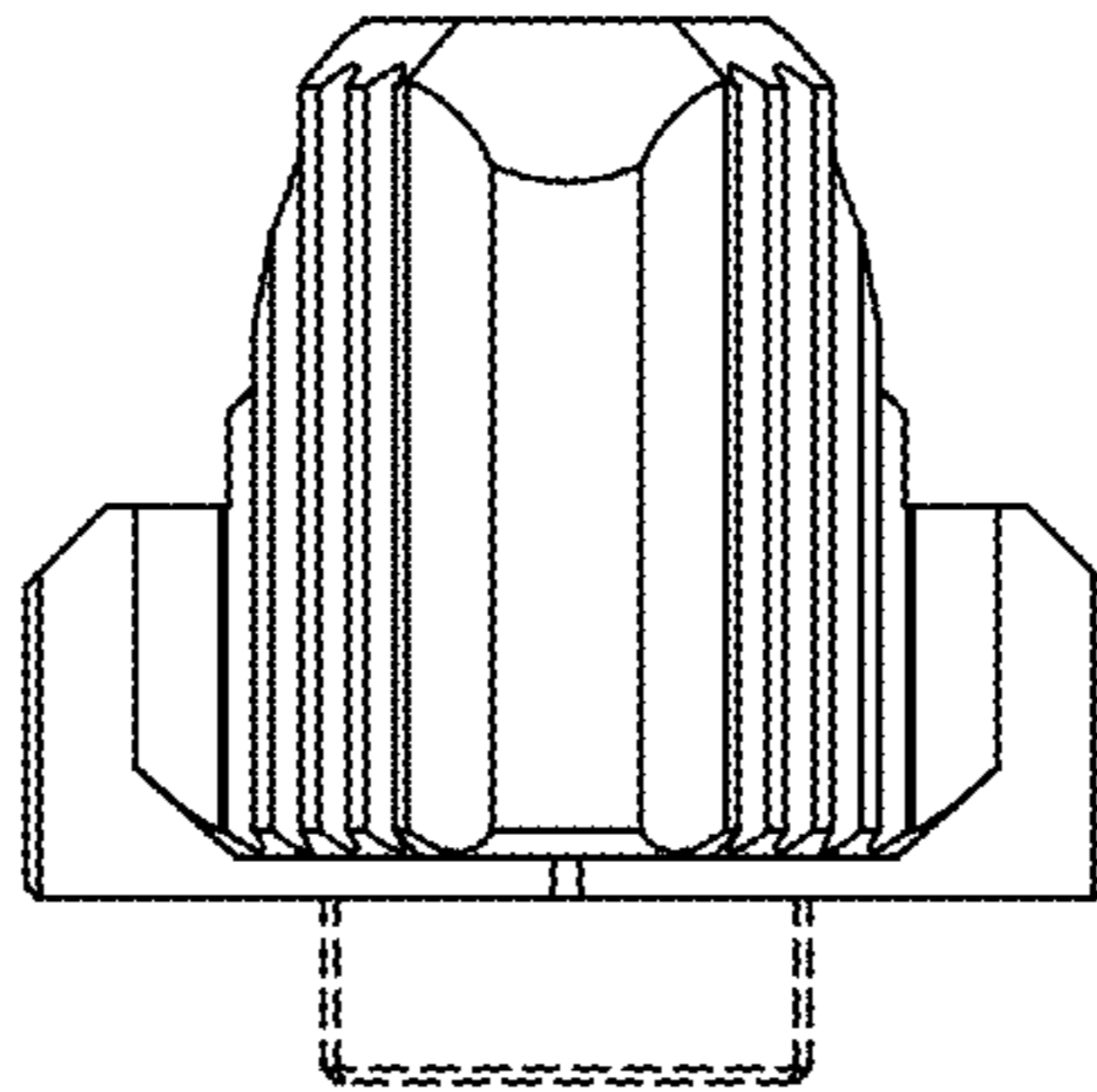


FIG. 20