



US00D856456S

(12) **United States Design Patent**
Wilson et al.

(10) **Patent No.:** **US D856,456 S**

(45) **Date of Patent:** **** Aug. 13, 2019**

(54) **FIREARM BARREL**

(71) Applicant: **Wilson's Gun Shop, Inc**, Berryville,
AR (US)

(72) Inventors: **Billy James Wilson**, Berryville, AR
(US); **Paul T. Noonan**, Boise, ID (US);
Aaron Neal Trout, Berryville, AR
(US); **Brent David Boyer**, Berryville,
AR (US)

(73) Assignee: **Wilson's Gun Shop, Inc**, Berryville,
AR (US)

(**) Term: **15 Years**

(21) Appl. No.: **29/614,184**

(22) Filed: **Aug. 16, 2017**

(51) **LOC (12) Cl.** **22-01**

(52) **U.S. Cl.**
USPC **D22/108**

(58) **Field of Classification Search**
USPC D22/104, 108
CPC F41C 23/10; F41C 23/14; F41C 23/16;
F41C 23/18
See application file for complete search history.

(56) **References Cited**

U.S. PATENT DOCUMENTS

D559,345 S * 1/2008 Wayne D22/108
D713,486 S * 9/2014 Acarreta D22/108

D734,418 S * 7/2015 Hines D22/108
D837,926 S * 1/2019 Christian D22/108
D840,491 S * 2/2019 Bowman D22/108
D840,492 S * 2/2019 Bowman D22/108

* cited by examiner

Primary Examiner — Michael A. Pratt

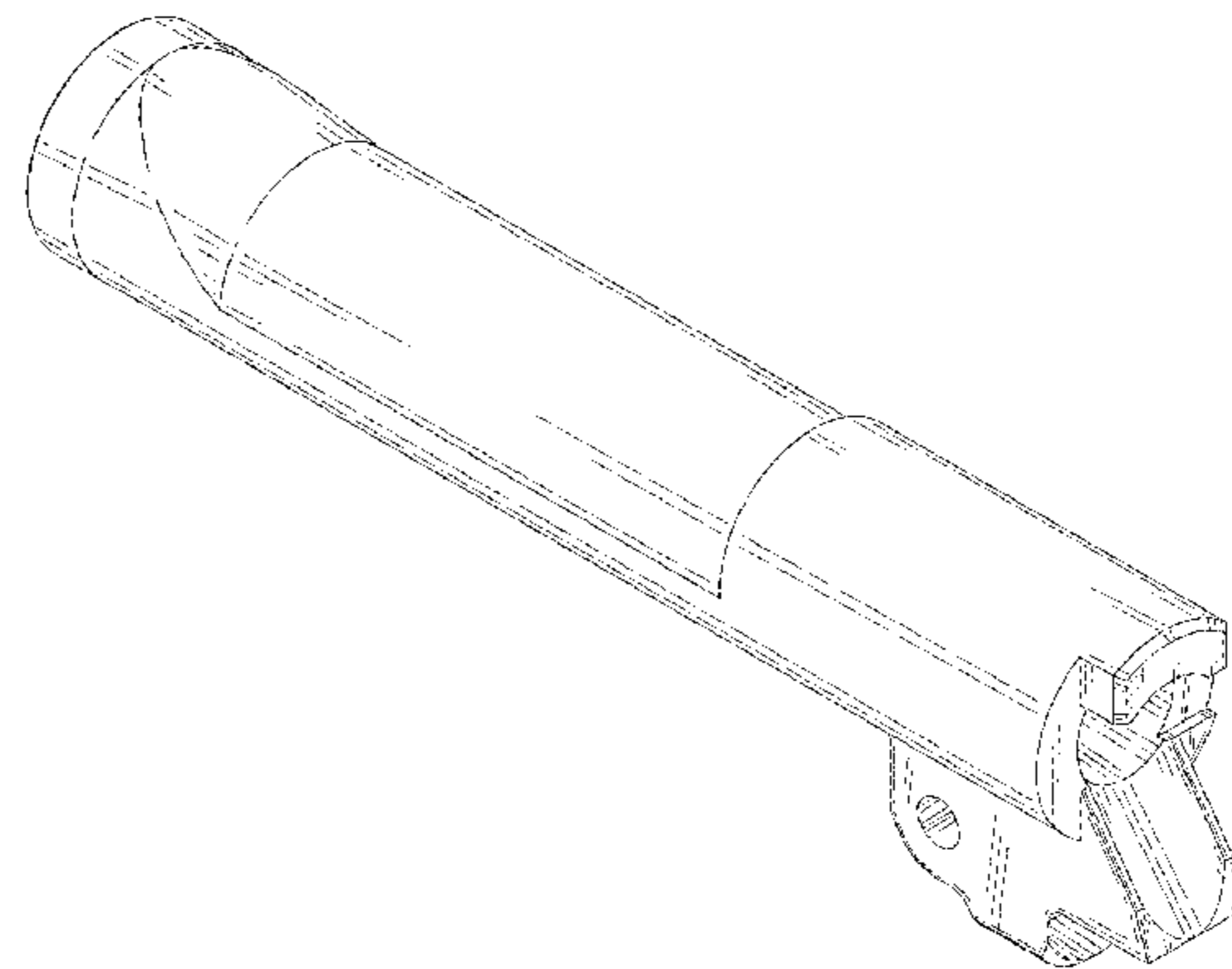
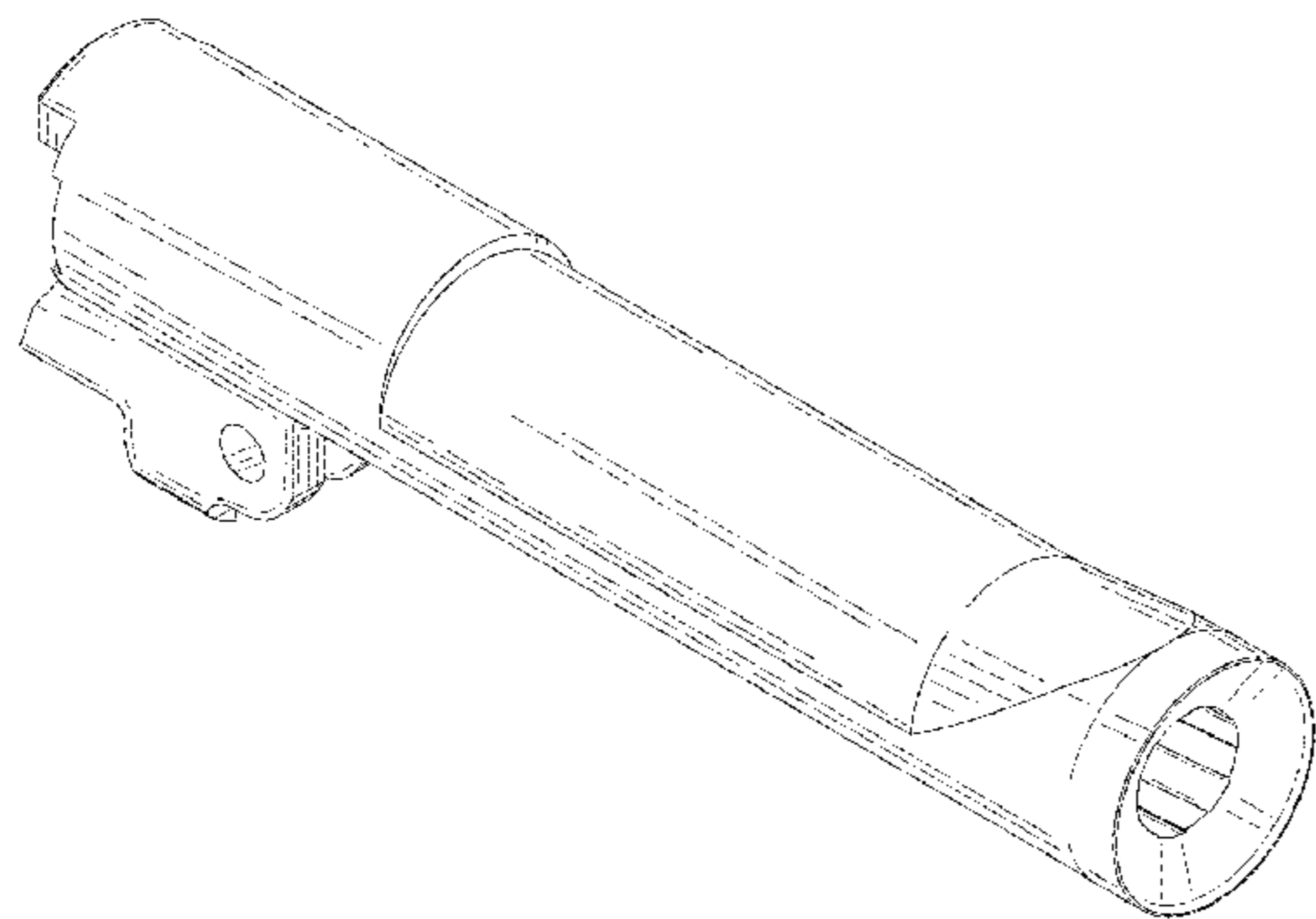
(57) **CLAIM**

We claim ornamental design for a firearm barrel, as shown and described.

DESCRIPTION

FIG. 1 is a front perspective view of a firearm barrel according to the present invention;
FIG. 2 is a rear perspective view of the firearm barrel of FIG. 1;
FIG. 3 is a front view of the firearm barrel of FIG. 1;
FIG. 4 is a right-side view of the firearm barrel of FIG. 1;
FIG. 5 is a left-side view of the firearm barrel of FIG. 1;
FIG. 6 is a rear view of the firearm barrel of FIG. 1;
FIG. 7 is a top view of the firearm barrel of FIG. 1; and,
FIG. 8 is a bottom view of the firearm barrel of FIG. 1.
The broken line showing is included for the purpose of illustrating portions of the firearm barrel that form no part of the claimed design.

1 Claim, 8 Drawing Sheets



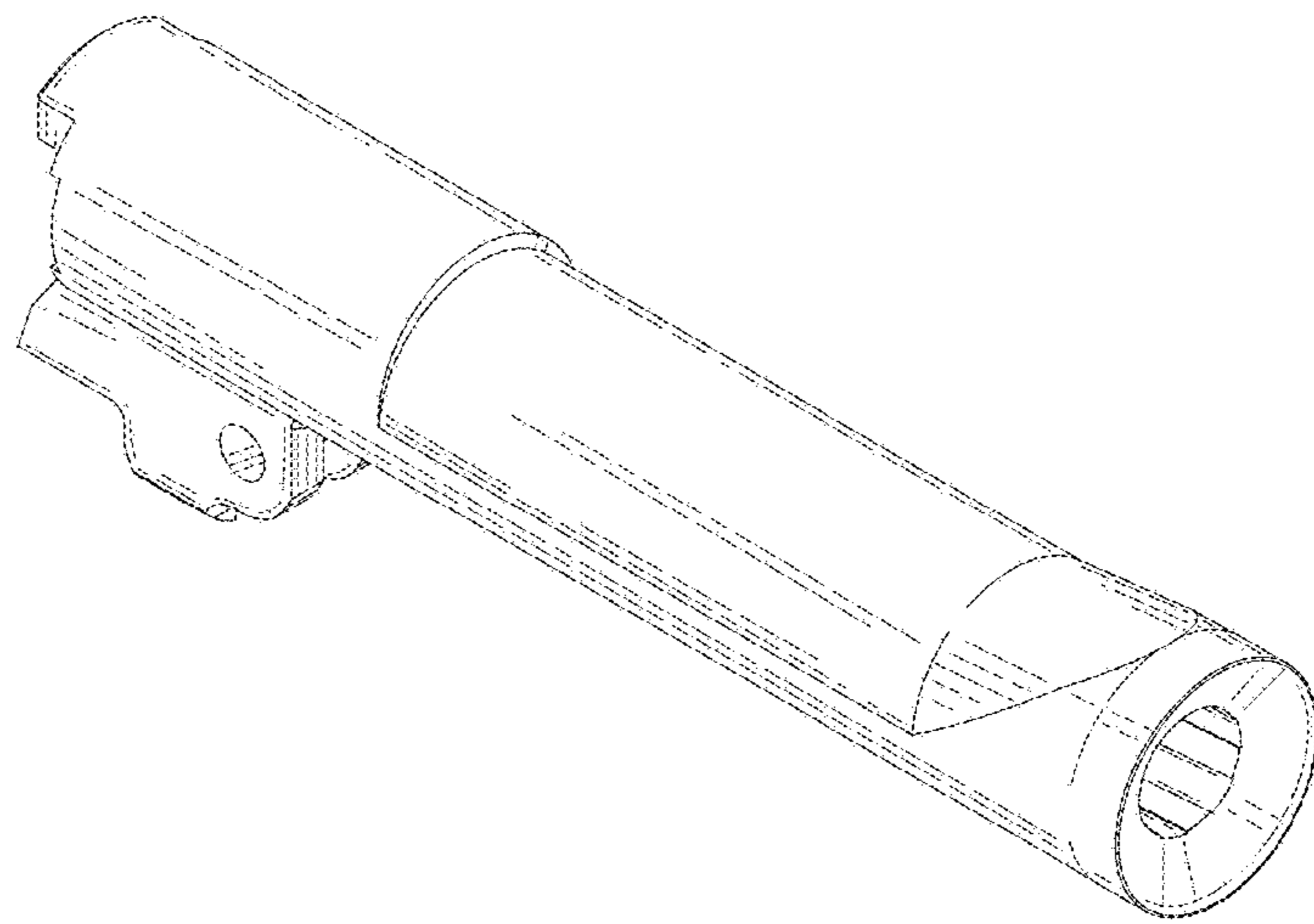


FIG. 1

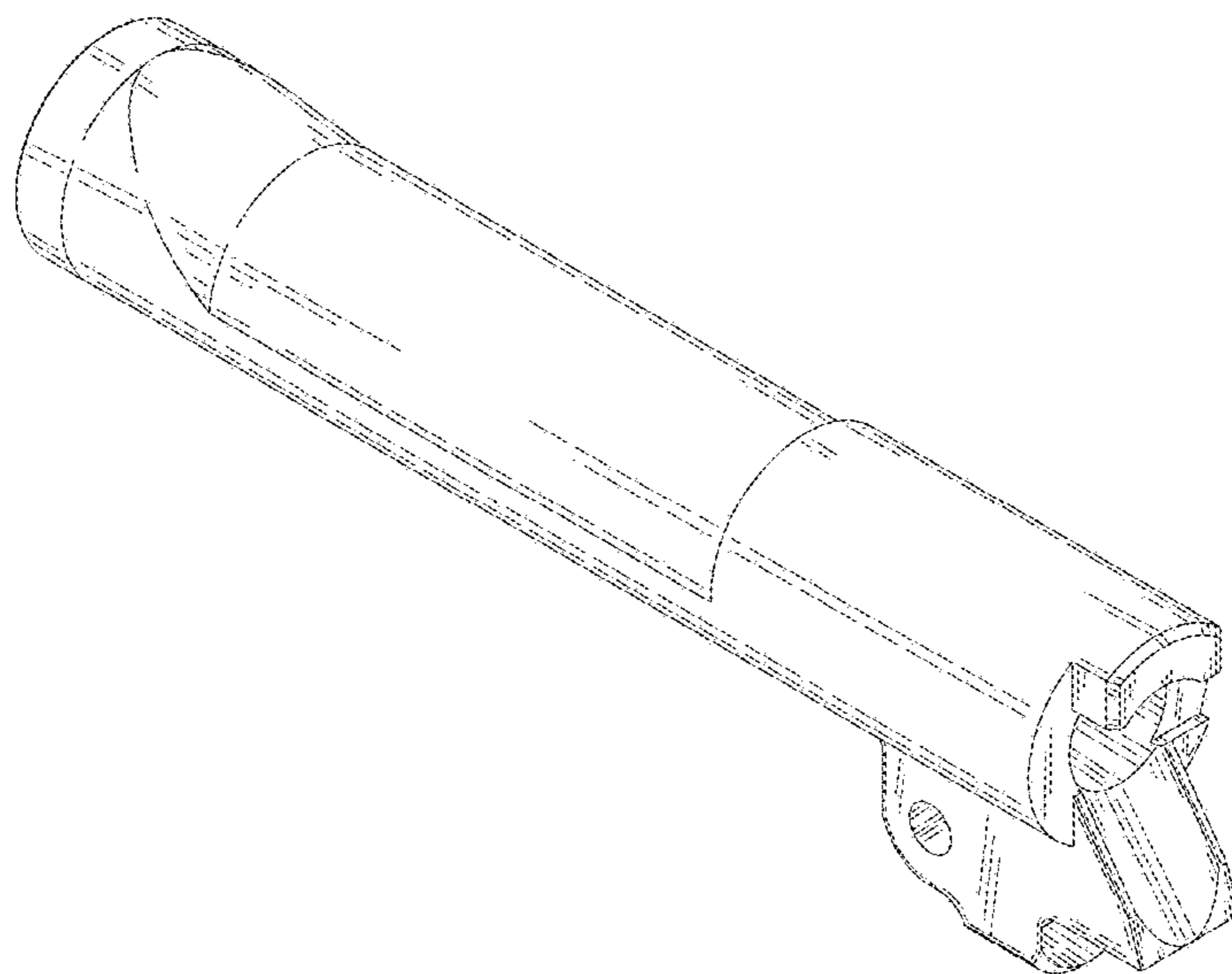


FIG. 2

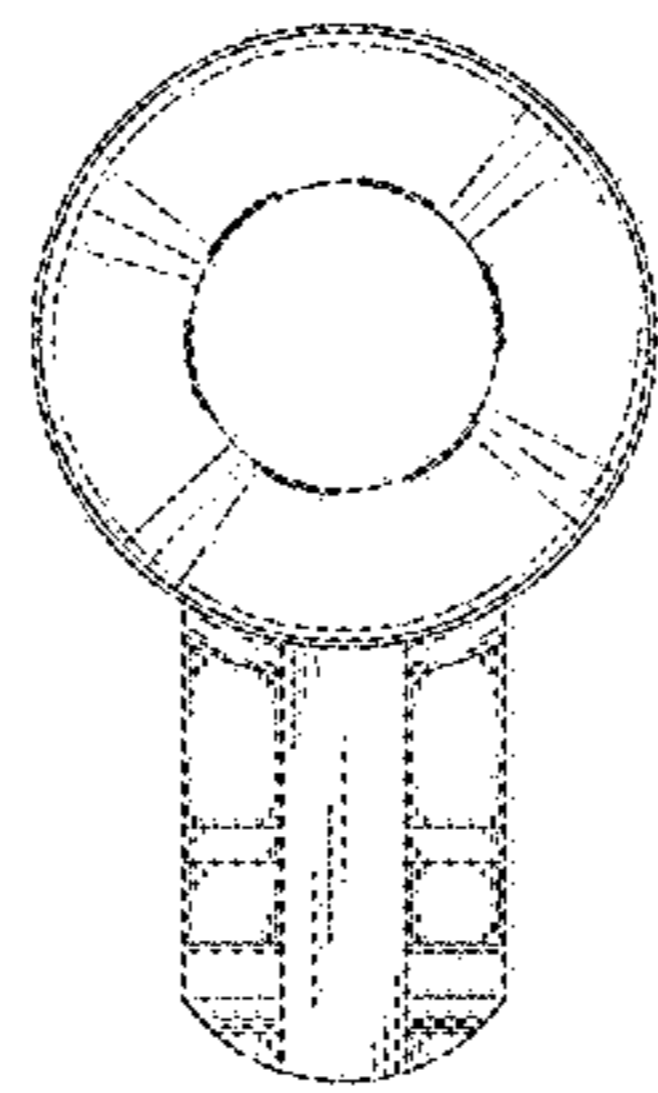


FIG. 3

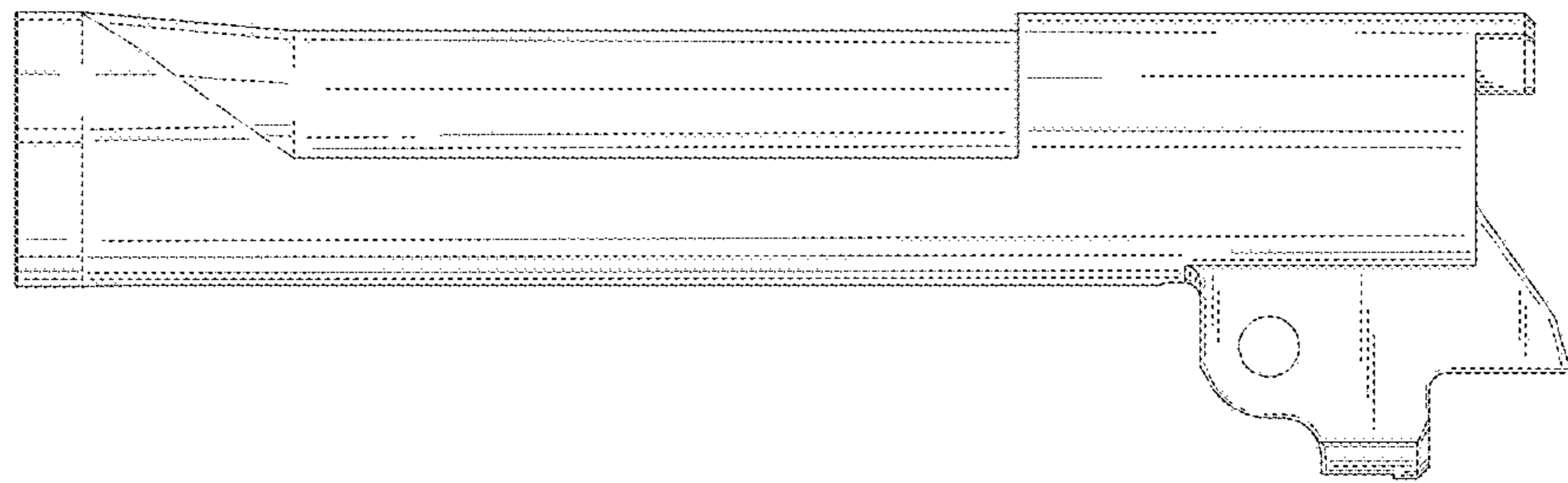


FIG. 4

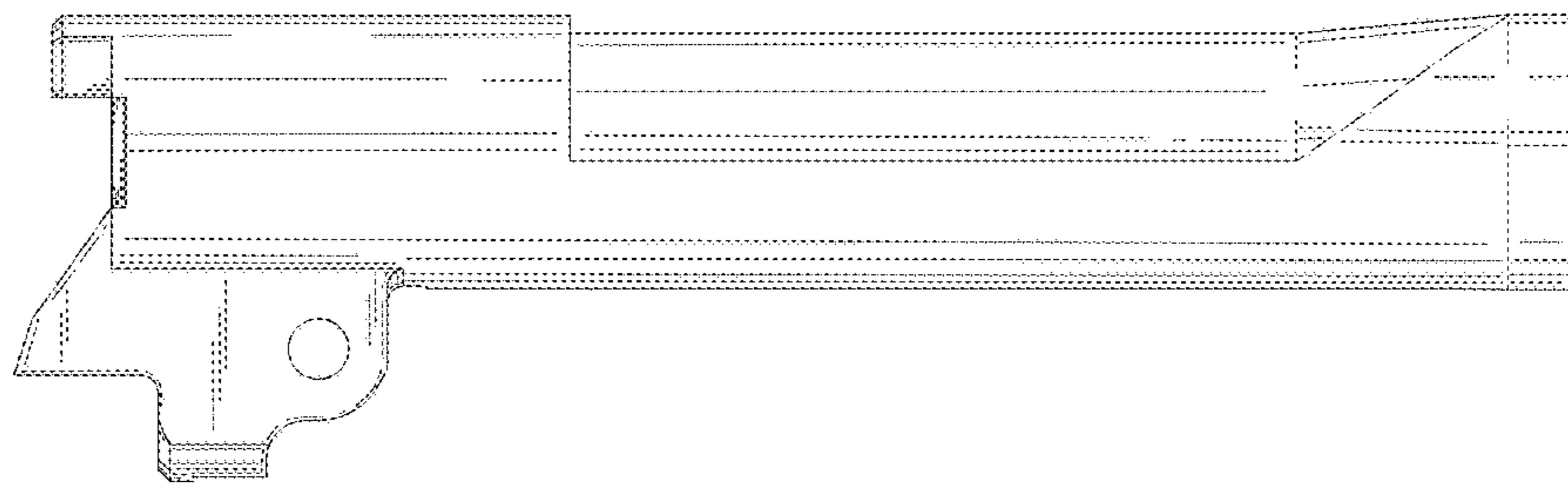


FIG. 5

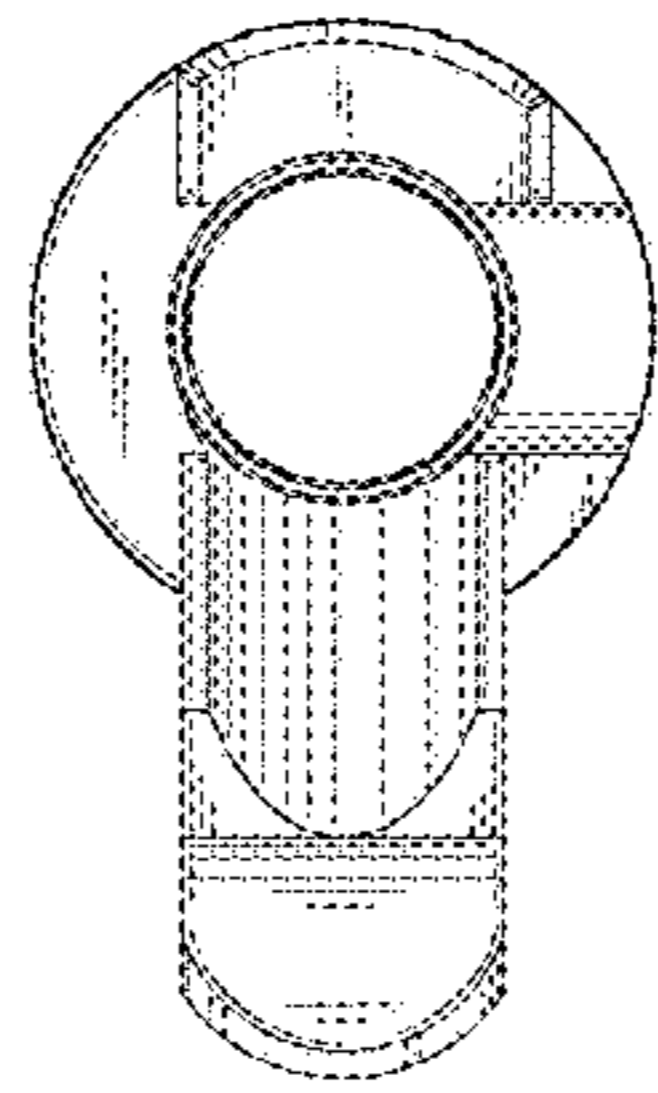


FIG. 6

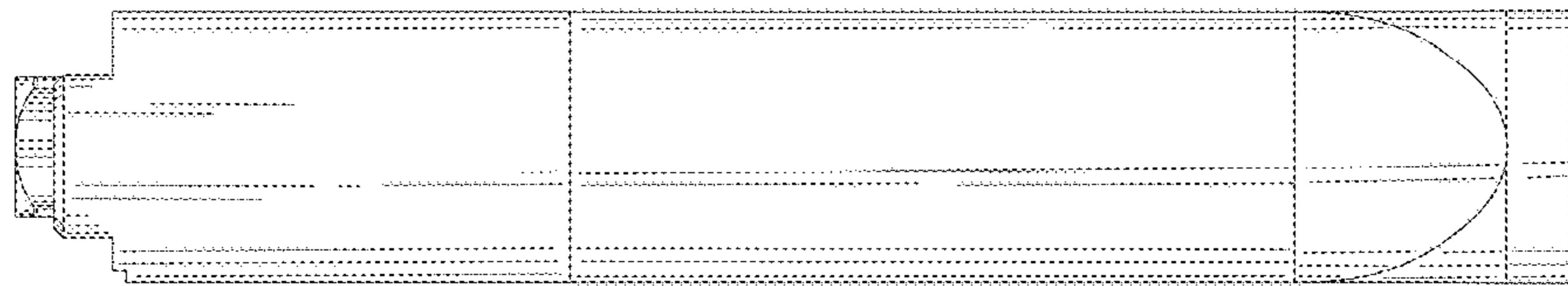


FIG. 7

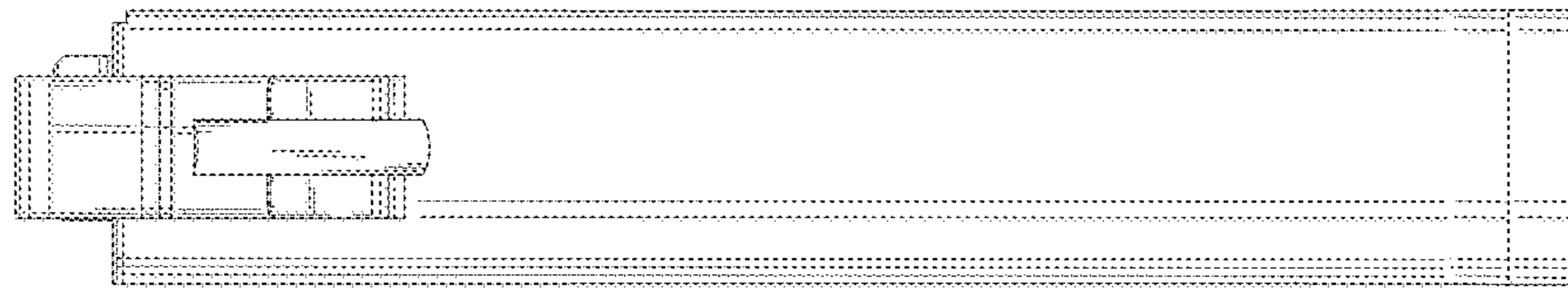


FIG. 8