



US00D856455S

(12) **United States Design Patent**
He

(10) **Patent No.:** **US D856,455 S**

(45) **Date of Patent:** **** Aug. 13, 2019**

- (54) **WATER BALLOON LAUNCHER**
- (71) Applicant: **Ankyo Development Ltd**, Tsim Sha Tsui, Kowloon (HK)
- (72) Inventor: **Shu Ming He**, Tsim Sha Tsui (HK)
- (73) Assignee: **ANKYO DEVELOPMENT LTD**, Kowloon (HK)
- (**) Term: **15 Years**
- (21) Appl. No.: **29/585,372**
- (22) Filed: **Nov. 23, 2016**
- (51) **LOC (12) Cl.** **22-01**
- (52) **U.S. Cl.**
USPC **D22/106**
- (58) **Field of Classification Search**
USPC D22/100, 104, 106, 107, 108; D21/574, D21/573, 570, 571, 575, 567, 145, 568, D21/569, 572; 124/16, 23.1, 35.2, 25.7, 124/45, 82, 20.1, 27, 21, 25, 64, 65, 66, 124/67; 222/79; 446/400, 401, 403
CPC F41B 3/02; F41B 7/08; F41B 3/005; F41B 5/0094; F41B 5/10; A63F 9/0252
See application file for complete search history.

(56) **References Cited**

U.S. PATENT DOCUMENTS

- 1,781,530 A * 11/1930 Smith F41B 3/02
124/20.1
- 1,960,645 A * 5/1934 Parrish F41B 3/02
124/20.2
- 2,807,254 A * 9/1957 Stribling F41B 3/02
124/20.1
- 3,057,337 A * 10/1962 Rock F41B 3/02
124/20.2
- 3,494,346 A * 2/1970 Yount F41B 3/02
124/20.1
- 4,133,333 A * 1/1979 Janssen F41B 3/02
124/16

- 4,250,861 A * 2/1981 Ellenburg F41B 3/02
124/20.1
- 4,265,212 A * 5/1981 Wolf F41B 3/02
124/20.1
- 4,273,094 A * 6/1981 Hogan F41B 3/02
124/16
- 4,583,513 A * 4/1986 Ellenburg F41B 3/02
124/20.2

(Continued)

OTHER PUBLICATIONS

KAOS Catapult Water Balloon Launcher, 50 Water Balloons, Amazon.com, [online], [site visited Jan. 16, 2018]. <URL: <https://www.amazon.com/Catapult-Water-Balloon-Launcher-Balloons/dp/B007R1Z7T4>> (Year: 2018).*

(Continued)

Primary Examiner — T Chase Nelson
Assistant Examiner — Jonathan J. Han

(74) *Attorney, Agent, or Firm* — Scarinci Hollenbeck, LLC; Libby Babu Varghese

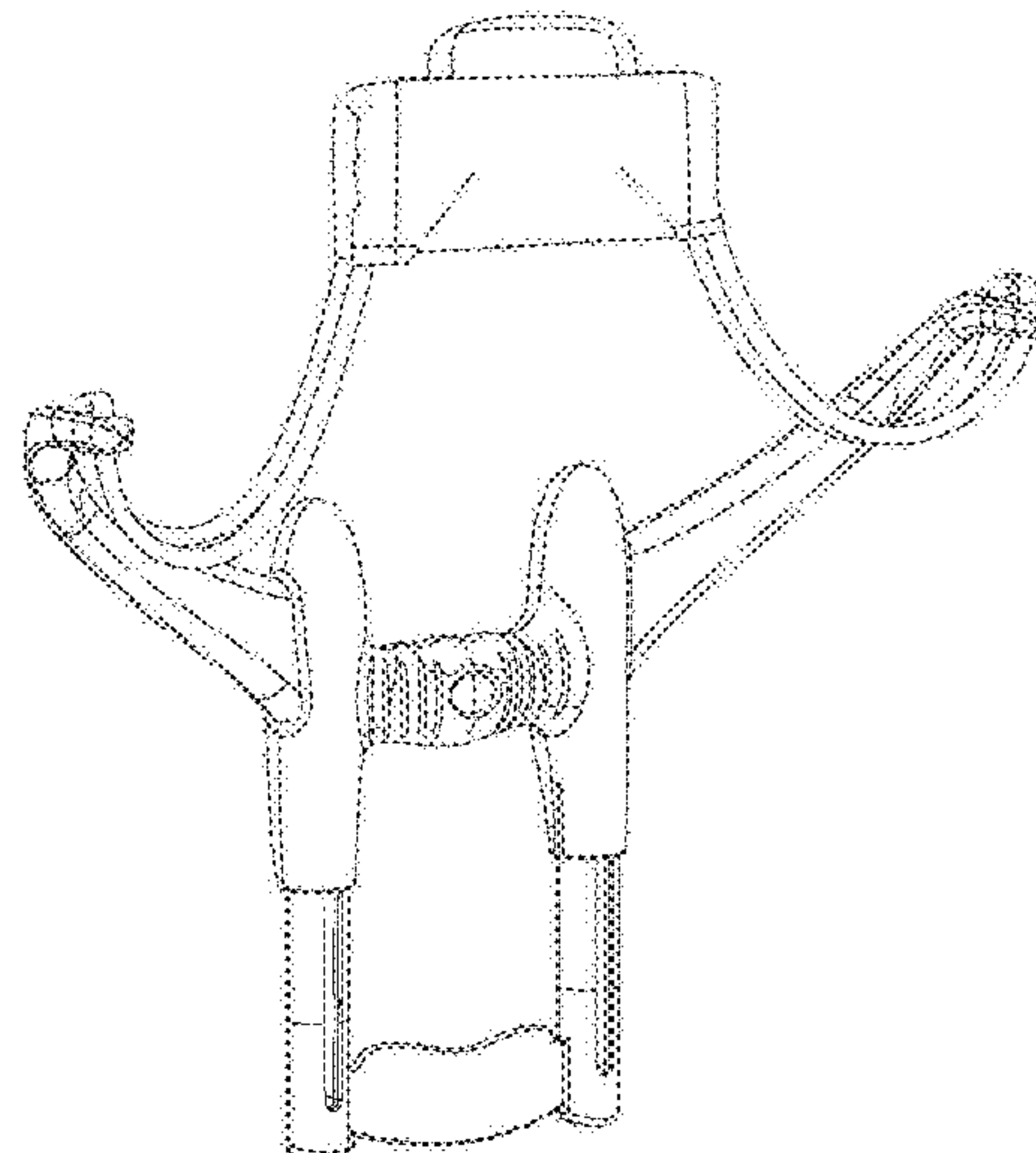
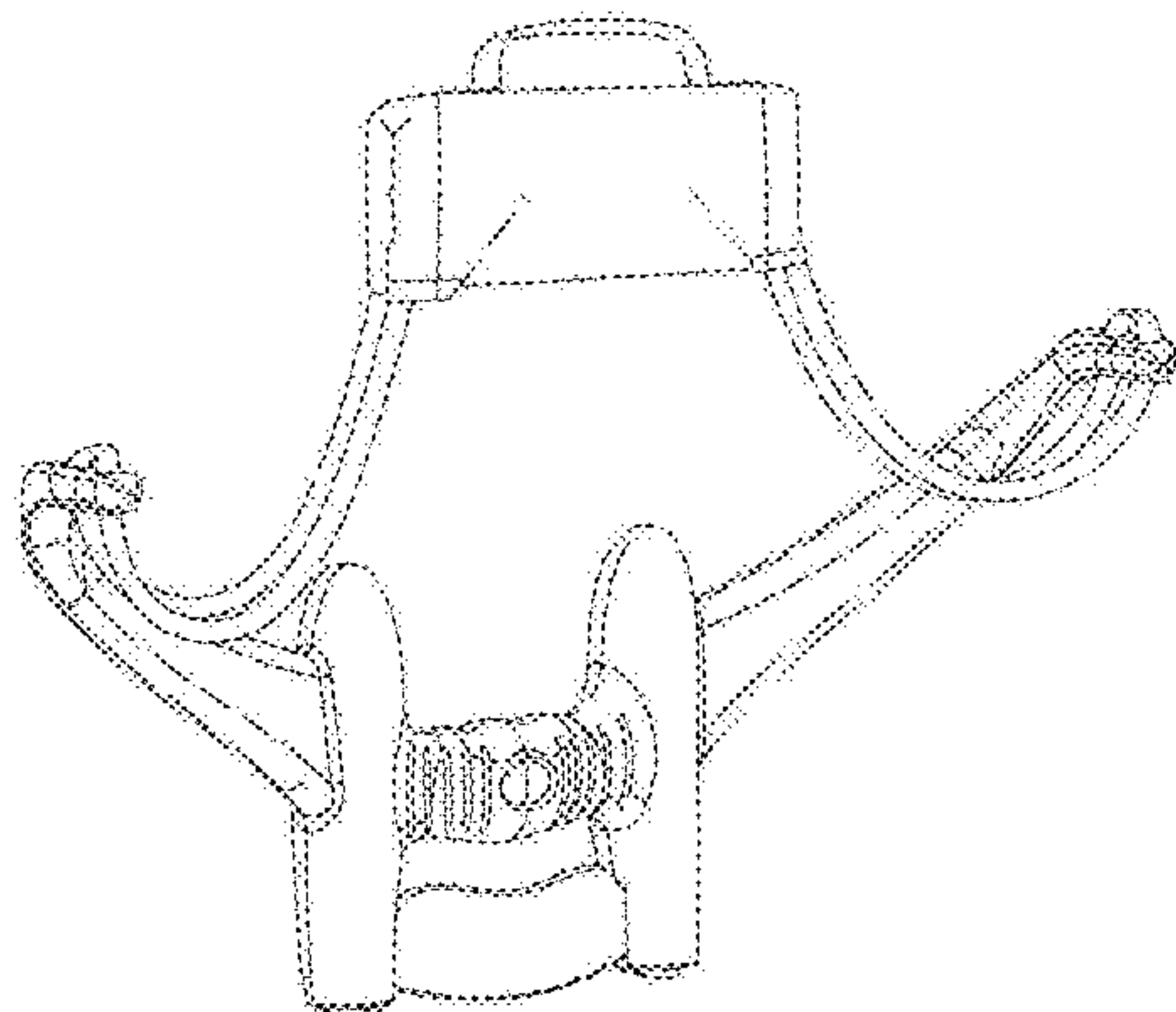
(57) **CLAIM**

The ornamental design for a water balloon launcher, as shown and described.

DESCRIPTION

FIG. 1 is a perspective view of a water balloon launcher showing my new design;
FIG. 2 is a perspective view thereof with the handle extended;
FIG. 3 is a front view of FIG. 1;
FIG. 4 is a left side view thereof;
FIG. 5 is a back view thereof;
FIG. 6 is a right side view thereof;
FIG. 7 is a top view thereof; and,
FIG. 8 is a bottom view.
The broken lines are used to show unclaimed features of the invention and form no part of the claimed design.

1 Claim, 8 Drawing Sheets



(56)

References Cited

U.S. PATENT DOCUMENTS

4,877,007 A * 10/1989 Olson F41B 3/02
124/20.3
4,922,884 A * 5/1990 Ford F41B 3/02
124/20.1
D352,337 S * 11/1994 Nagel D22/106
D353,182 S * 12/1994 Rubin D22/106
5,501,207 A * 3/1996 Black F41B 3/02
124/20.1
5,531,209 A * 7/1996 Liedtke F41B 3/02
124/20.1
5,752,495 A * 5/1998 Tuller F41B 3/02
124/20.2
5,803,067 A * 9/1998 Ellenburg F41B 3/02
124/20.1
5,894,672 A * 4/1999 Ellenburg F41G 1/32
124/20.1
7,861,700 B2 * 1/2011 Scoggins F41B 3/02
124/20.1
7,900,620 B1 * 3/2011 Walters F41B 3/02
124/20.1
8,863,731 B2 * 10/2014 Chen F41B 3/02
124/17
D728,053 S * 4/2015 Li D22/106
D773,580 S * 12/2016 Huang D22/106
9,726,451 B2 * 8/2017 Masters F41B 3/02
2003/0034019 A1 * 2/2003 Lewis F41B 3/02
124/20.1
2008/0053421 A1 * 3/2008 Chang F41A 9/64
124/45

2008/0156307 A1 * 7/2008 Myers F41B 3/02
124/20.1
2008/0156308 A1 * 7/2008 Zadra F41B 3/02
124/20.1
2009/0301455 A1 * 12/2009 Yamashiro A63B 69/002
124/20.1
2011/0232617 A1 * 9/2011 Raymond F41B 3/02
124/20.1
2012/0160224 A1 * 6/2012 Walterscheid F41B 5/0094
124/20.1
2012/0279482 A1 * 11/2012 Harris F41B 3/02
124/20.1
2013/0055994 A1 * 3/2013 Walterscheid F41B 3/02
124/20.1

OTHER PUBLICATIONS

Original SlingKing—Water Balloon Launcher, TheGadgetFlow.com, by Ashley, Discovered on: Jun. 5, 2015, [online],[site visited Jan. 16, 2018]. <URL: <https://thegadgetflow.com/portfolio/original-slingking-water-balloon-launcher/>> (Year: 2015).*

Kaos Aqua Bow Water Balloon Launcher Review, BuffDaddyNerf.com, May 30, 2015, [online], [site visited Jan. 16, 2018]. <URL: <http://www.buffdaddynerf.com/2015/05/kaos-aqua-bow-water-balloon-launcher.html>> (Year: 2015).*

Kaos Aqua Bow Water Balloon Launcher, Walmart.com, [online], [site visited Jan. 16, 2018]. <URL: <https://www.walmart.com/ip/Kaos-Aqua-Bow-Water-Balloon-Launcher/54008430>> (Year: 2018).*

* cited by examiner

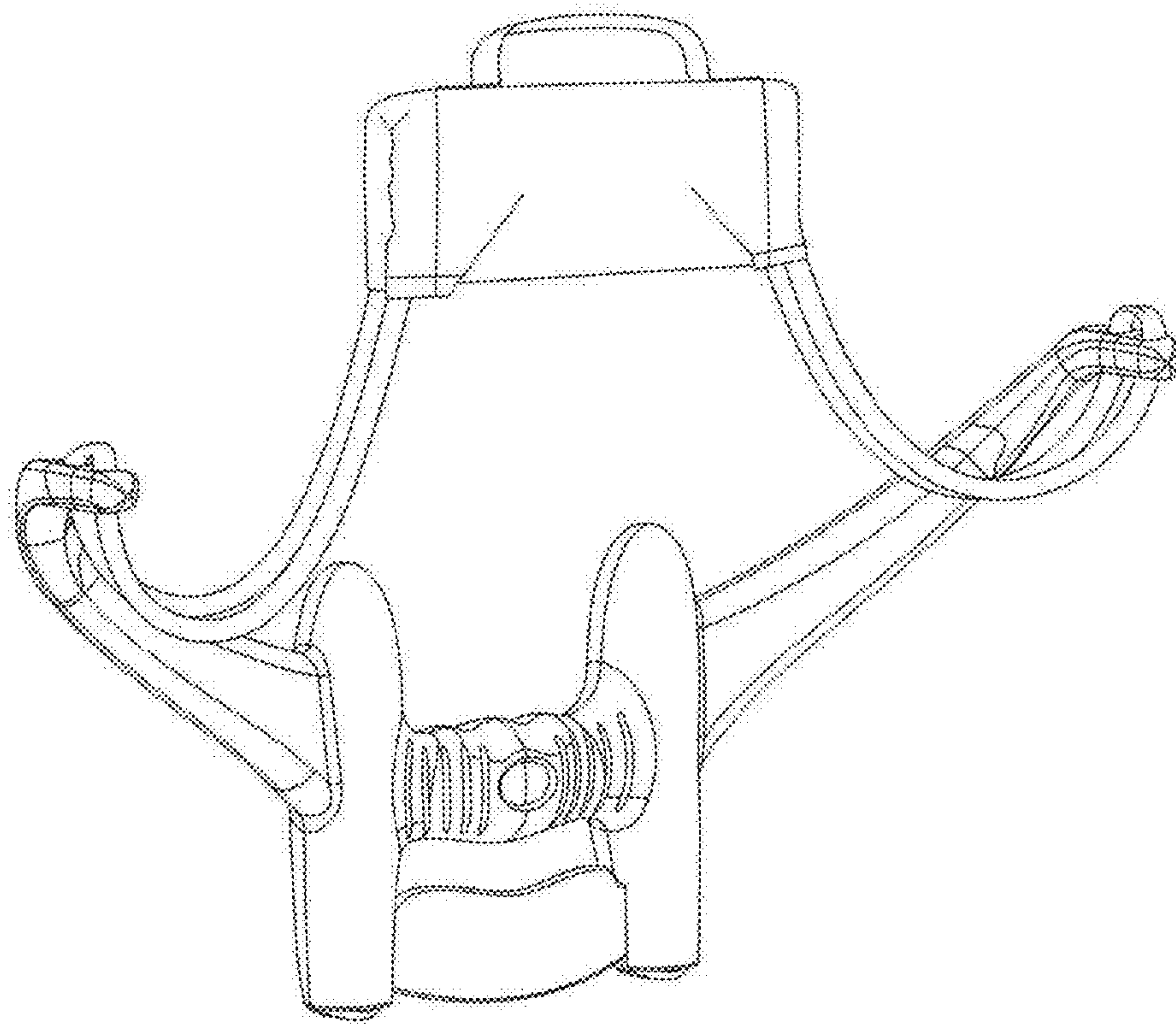


FIG. 1

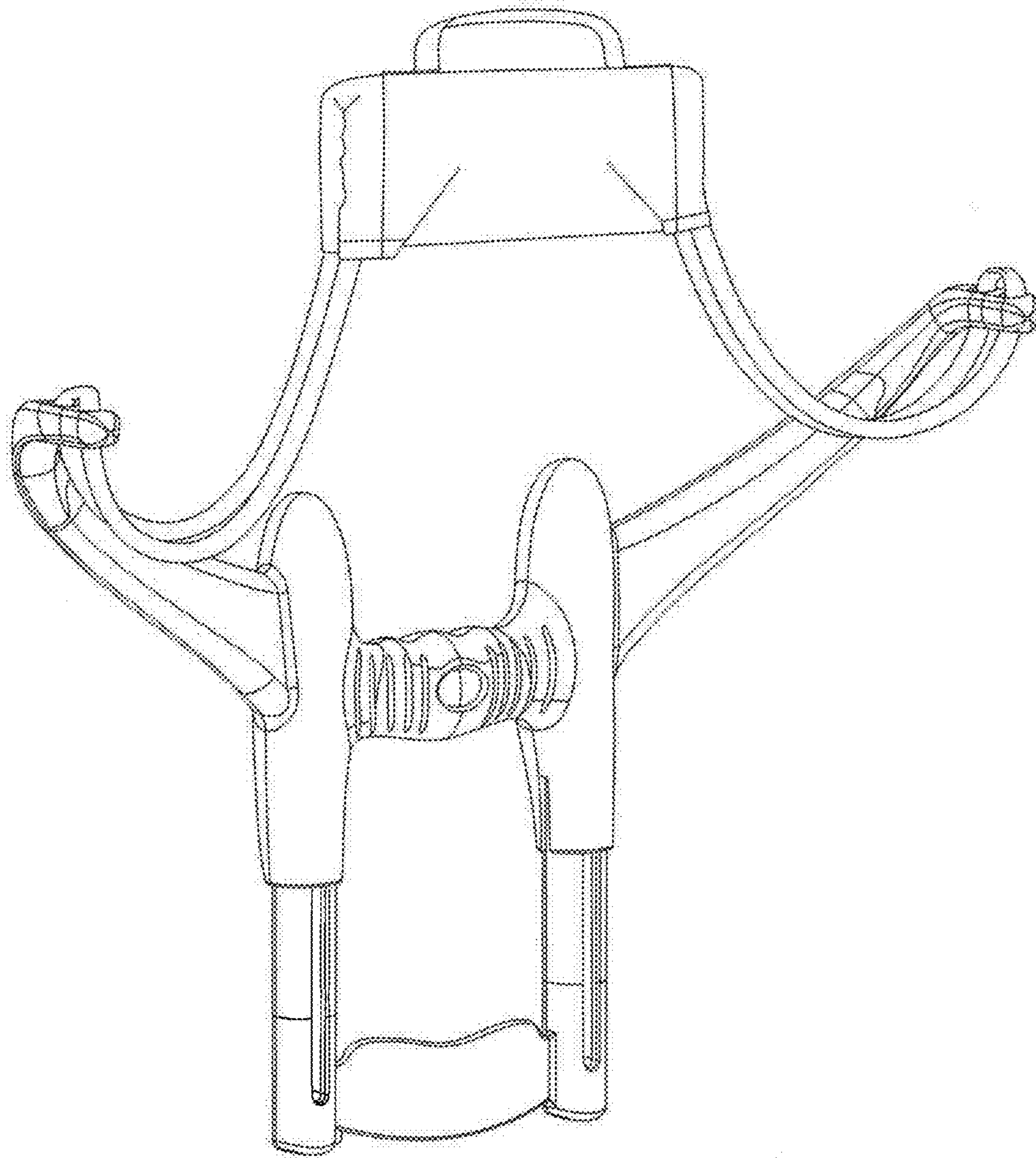


FIG. 2

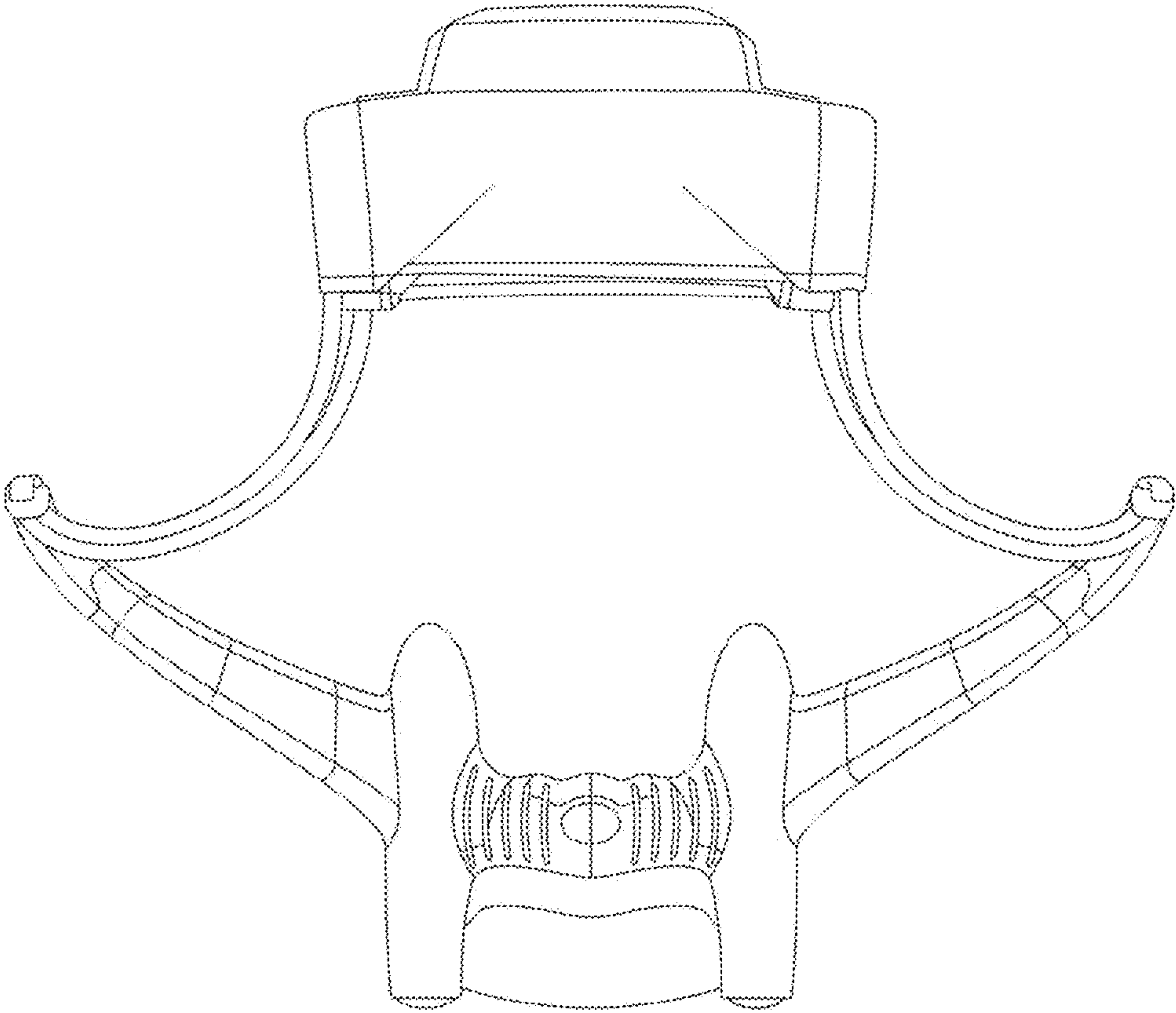


FIG. 3

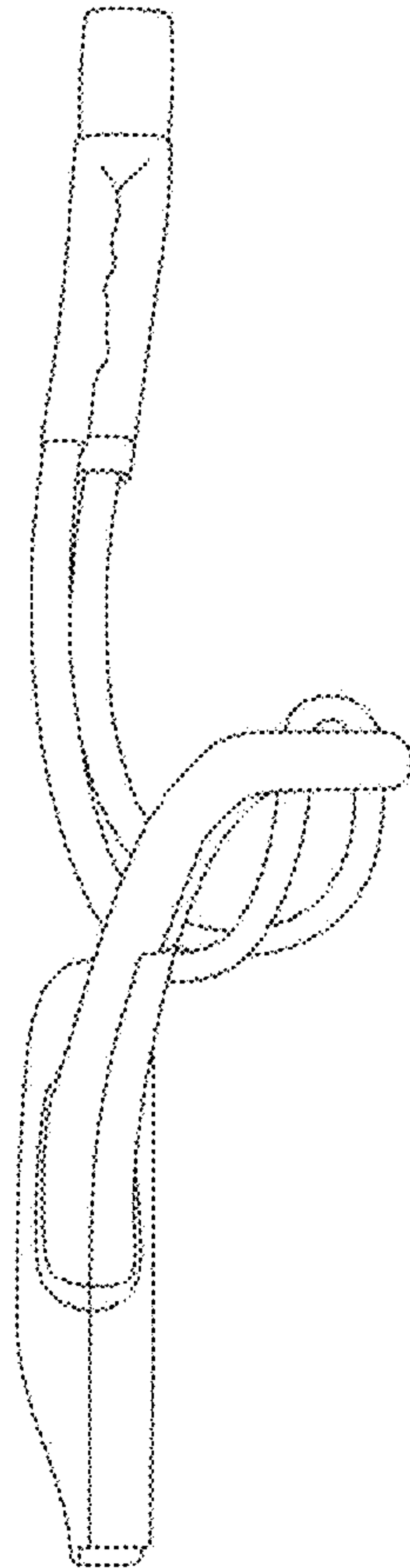


FIG. 4

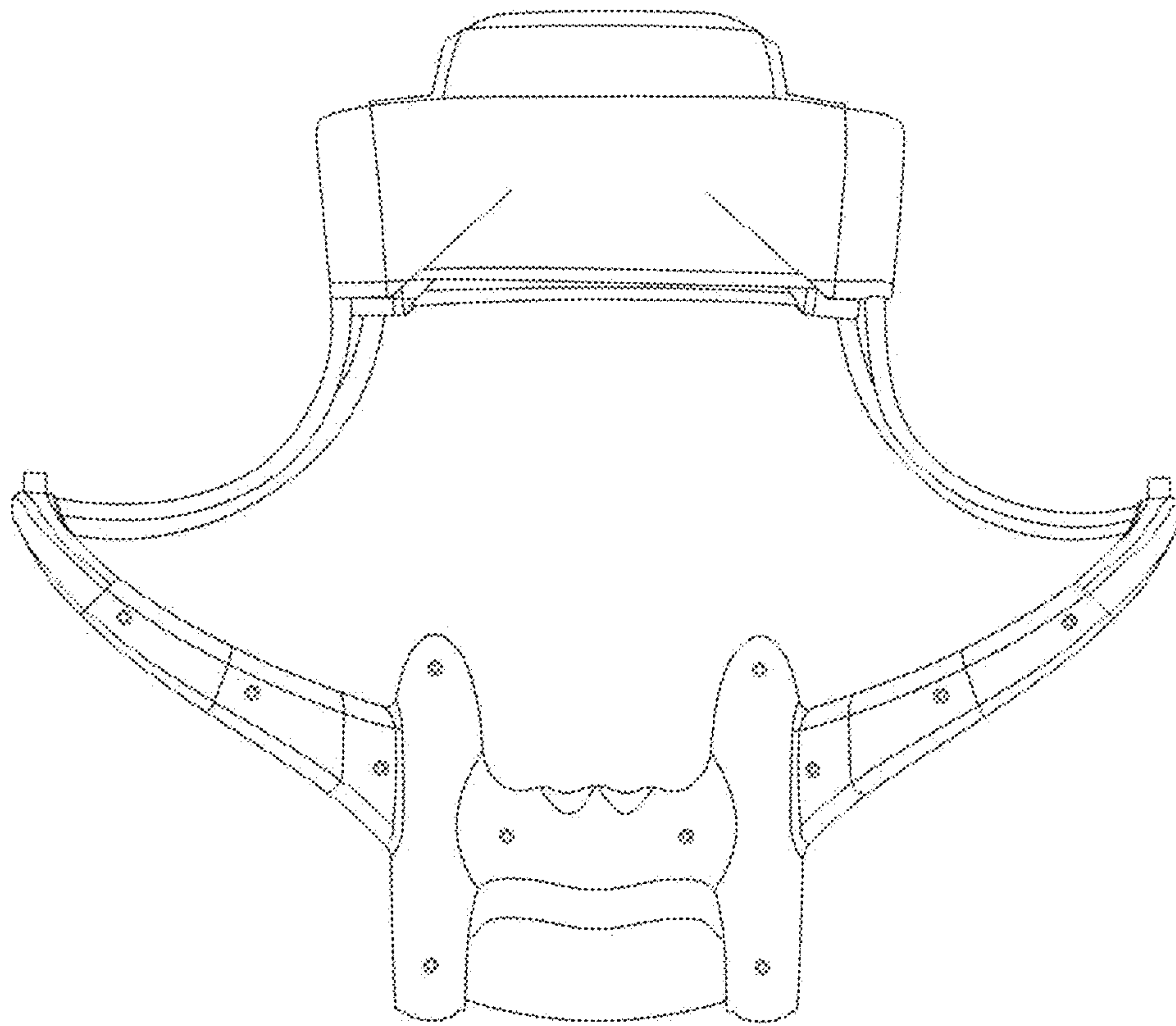


FIG. 5

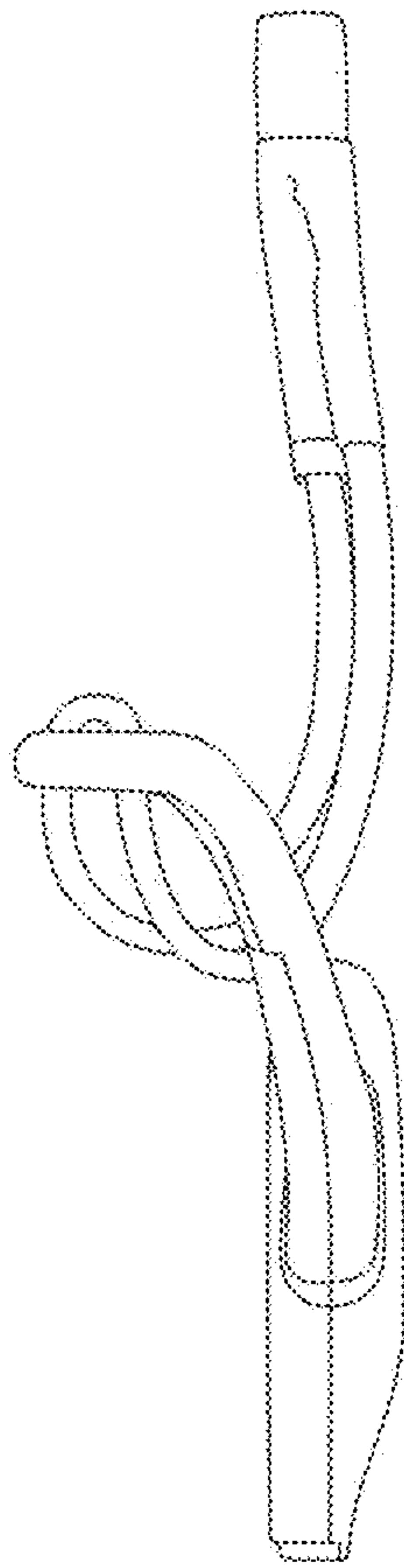


FIG. 6

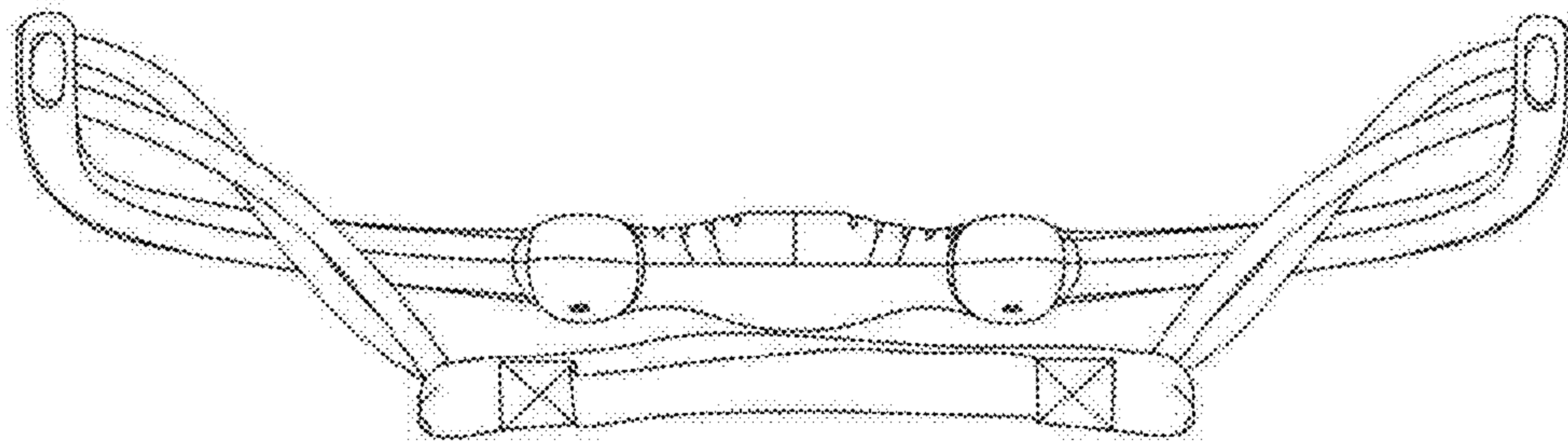


FIG. 7

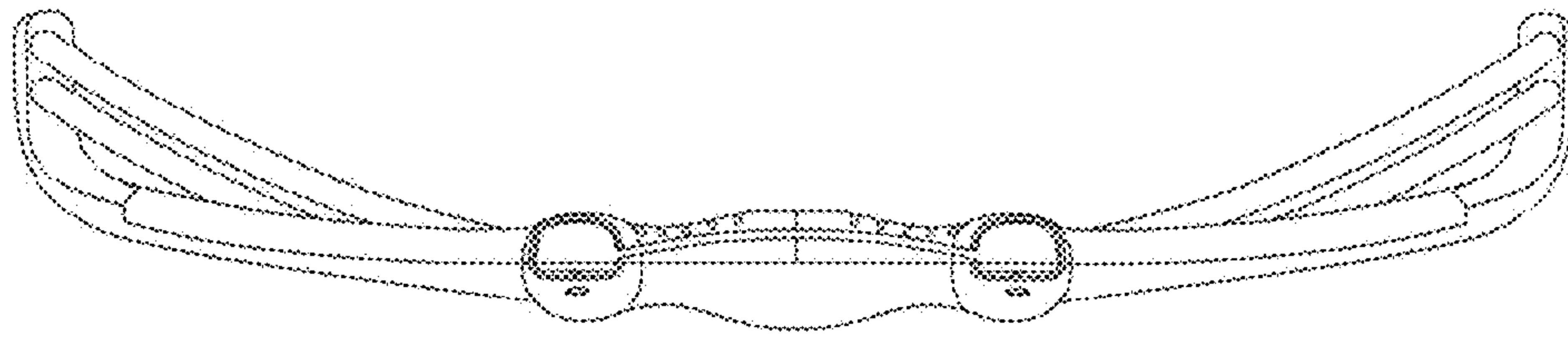


FIG. 8