



US00D856453S

(12) **United States Design Patent** (10) **Patent No.:** **US D856,453 S**
Krall (45) **Date of Patent:** **** Aug. 13, 2019**

(54) **PENDULUM SWING GYM**
(71) Applicant: **Thomas L. Krall**, Lebanon, PA (US)
(72) Inventor: **Thomas L. Krall**, Lebanon, PA (US)
(**) Term: **15 Years**
(21) Appl. No.: **29/649,155**
(22) Filed: **May 27, 2018**
(51) **LOC (12) Cl.** **21-02**
(52) **U.S. Cl.**
USPC **D21/797**
(58) **Field of Classification Search**
USPC 135/96, 117, 121; 182/139, 224;
446/220; 463/7; 473/469, 482; 482/28,
482/77, 147, 148, 27, 29; D21/668, 669,
D21/797, 826, 834, 836, 839; D25/1, 61
CPC A63B 5/11; A63B 71/022; A63B 2225/62;
A63B 71/023
See application file for complete search history.

7,909,738 B2 * 3/2011 Chen A63B 5/11
482/28
D677,913 S * 3/2013 Britz, Jr. D6/347
9,168,461 B1 * 10/2015 Chen A63G 9/14
D759,170 S * 6/2016 Louis D21/686
D759,396 S * 6/2016 Wehner D6/347
D810,853 S * 2/2018 Bertschy D21/823
9,889,363 B1 * 2/2018 Myrick A63B 69/206

* cited by examiner

Primary Examiner — Cynthia Ramirez
Assistant Examiner — Michael A Maharajh
(74) *Attorney, Agent, or Firm* — Miller Law Group,
PLLC

(57) **CLAIM**

The ornamental design for a pendulum swing gym, as shown and described.

DESCRIPTION

FIG. 1 is a side elevational view of the pendulum swing gym, showing my new design with the cage shown in a rest position;
FIG. 2 is another side elevational view, with the cage shown in an alternate position thereof;
FIG. 3 is front elevational view with the cage shown in a rest position, the back elevational view being a mirror image thereof;
FIG. 4 is a top plan view with the cage shown in the rest position thereof;
FIG. 5 is a bottom plan view with the cage shown in the rest position thereof; and,
FIG. 6 is a perspective view thereof.
The broken lines in the drawings are for the purpose of illustrating environmental structure, which form no part of the claimed design.

(56) **References Cited**

U.S. PATENT DOCUMENTS

D278,549 S * 4/1985 Kristich D21/823
D305,584 S * 1/1990 Spilman 297/273
5,181,895 A * 1/1993 Larson A63B 21/154
482/93
D340,275 S * 10/1993 Haun D21/823
5,364,312 A * 11/1994 Cunard A63G 9/00
182/224
5,788,606 A * 8/1998 Rich A63B 69/0064
482/27
6,638,199 B2 * 10/2003 Annesi A63B 5/11
482/27
D580,602 S * 11/2008 Andrako D30/119

1 Claim, 6 Drawing Sheets

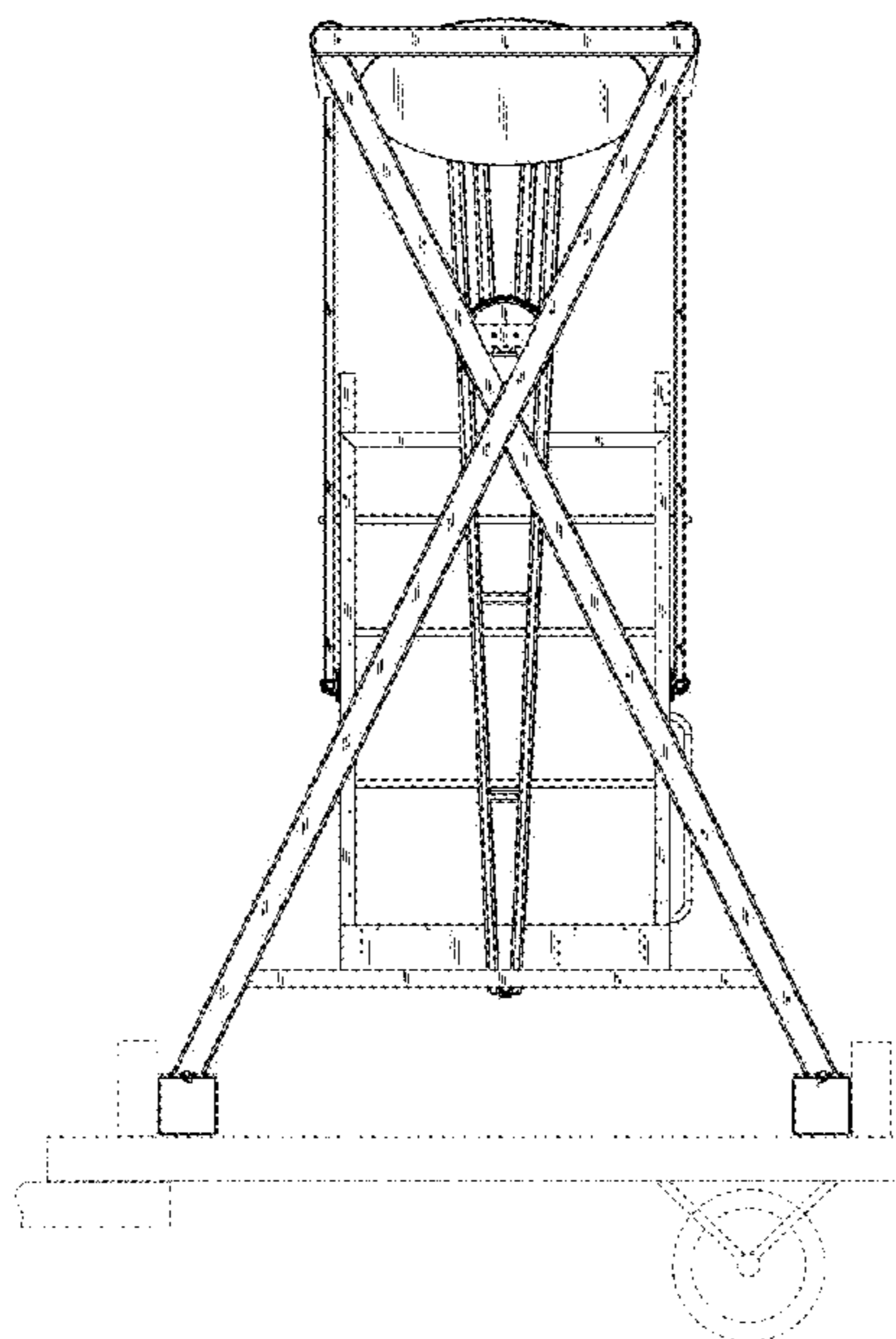


Fig. 1

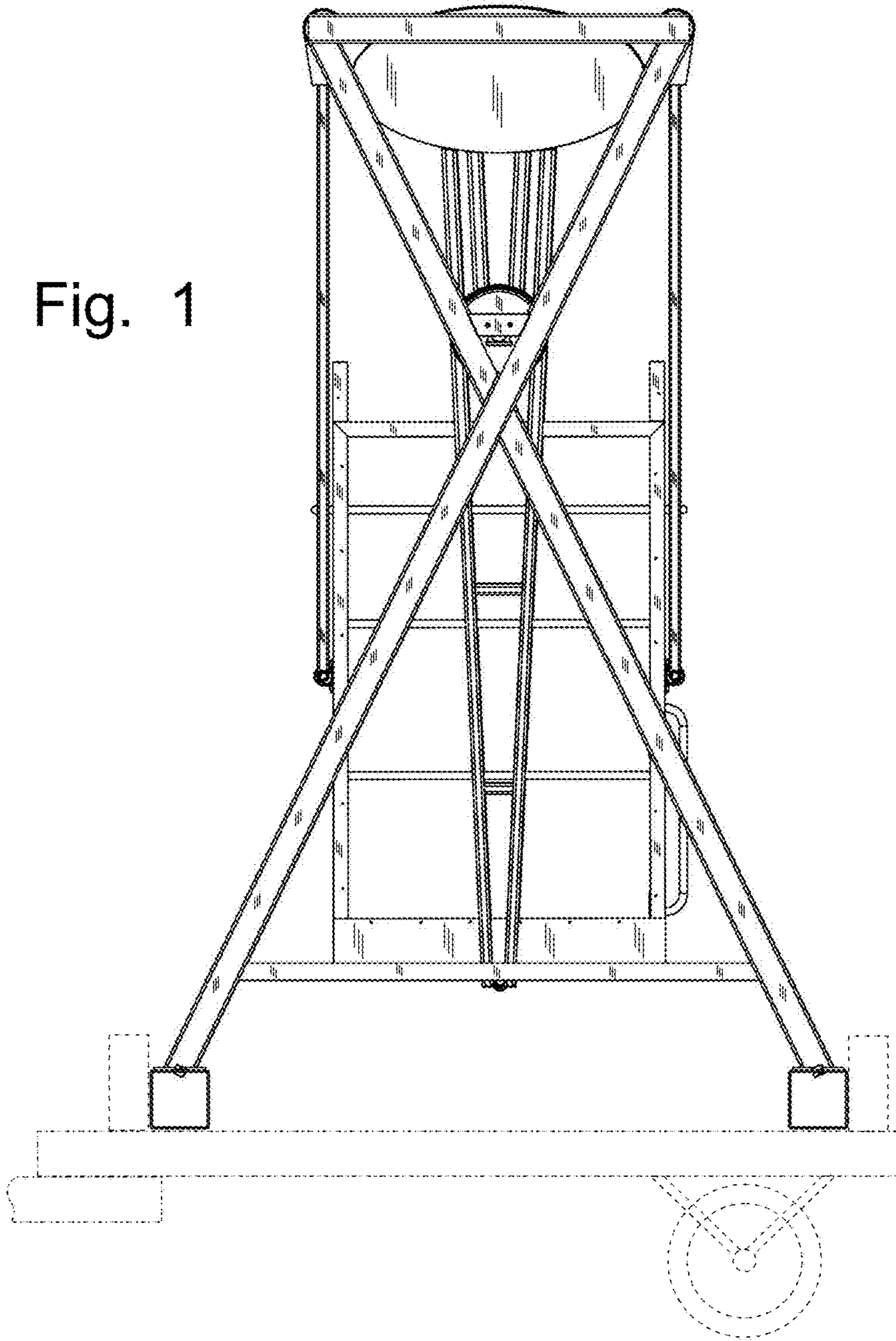


Fig. 2

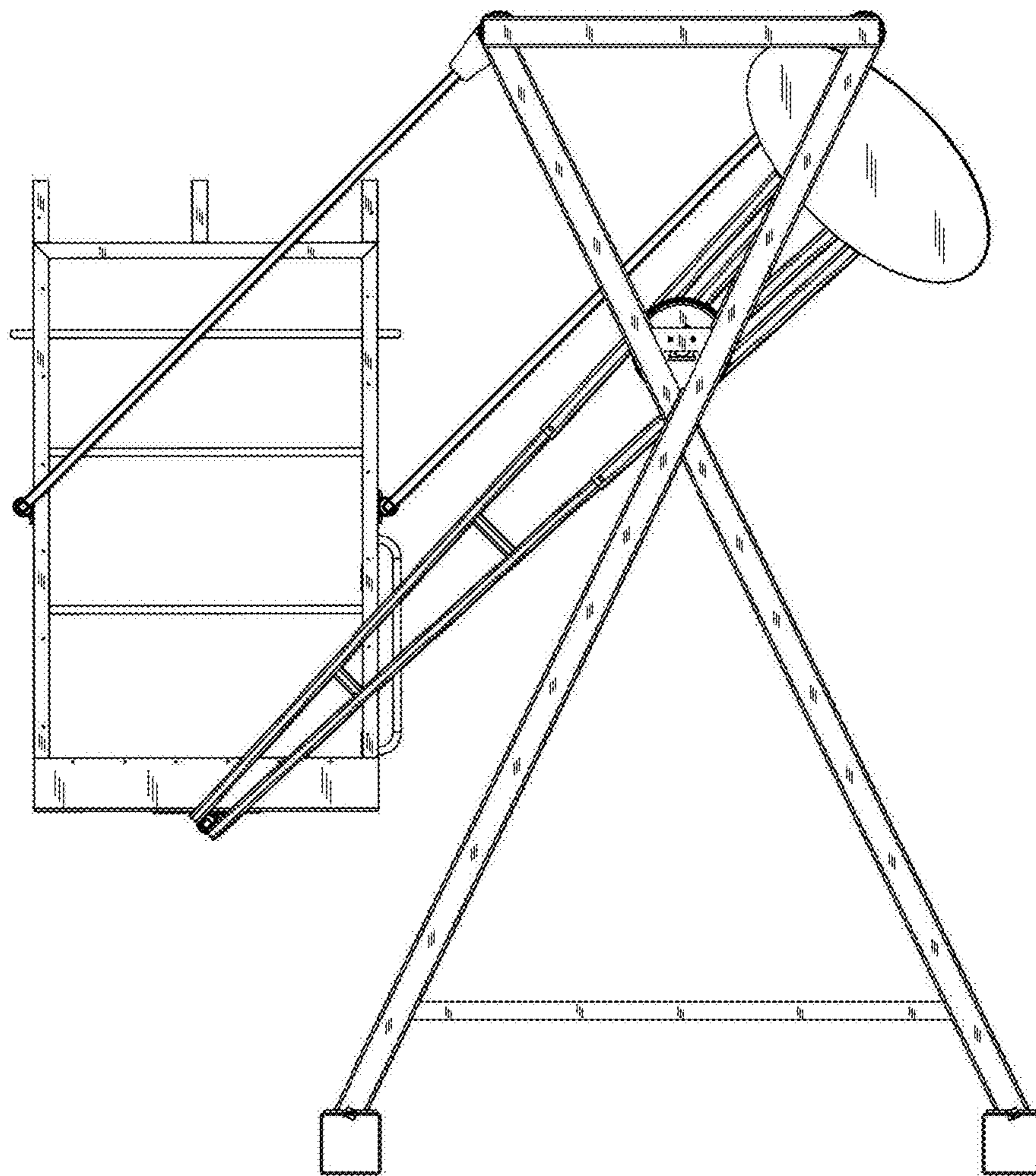
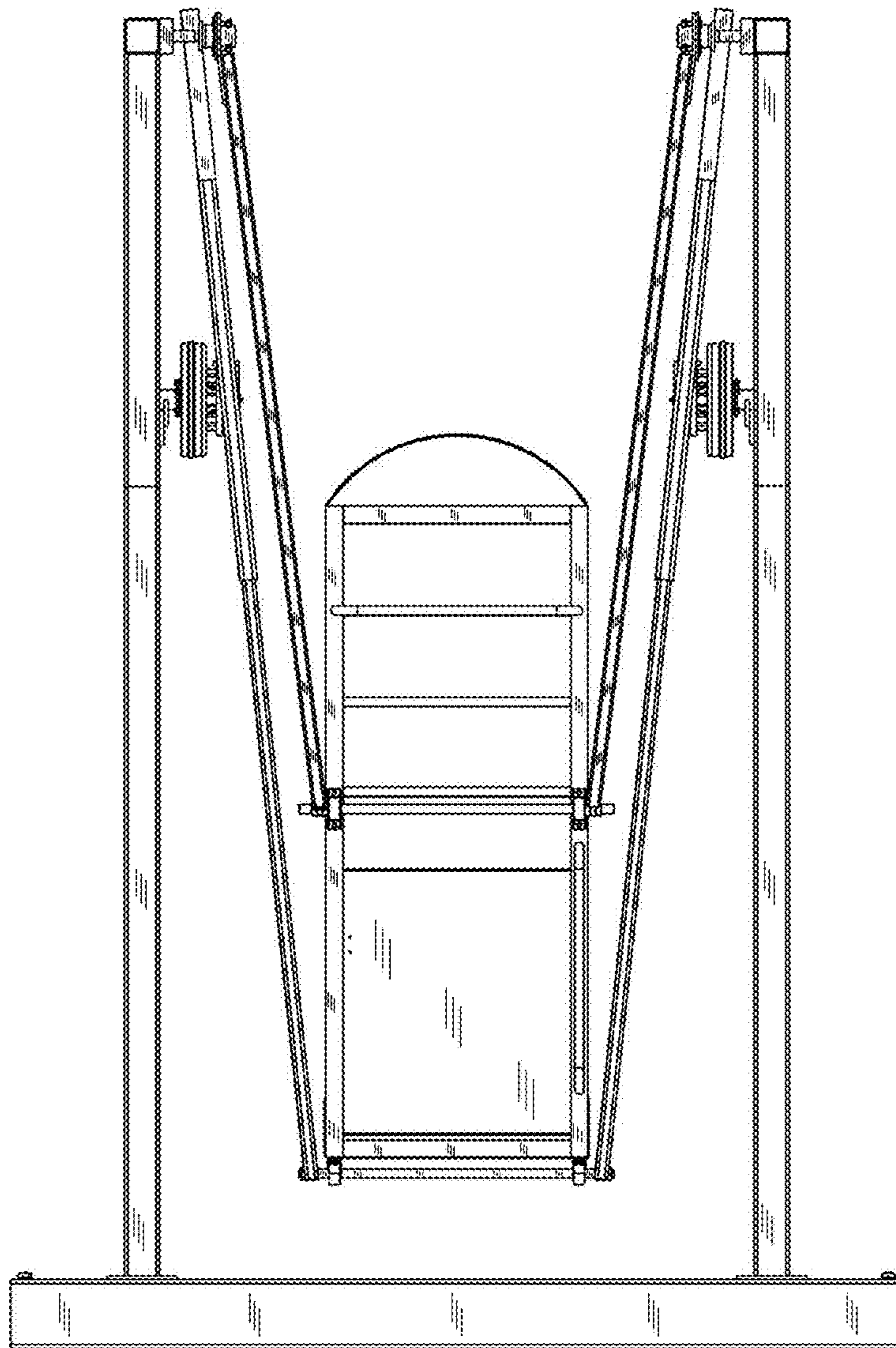


Fig. 3



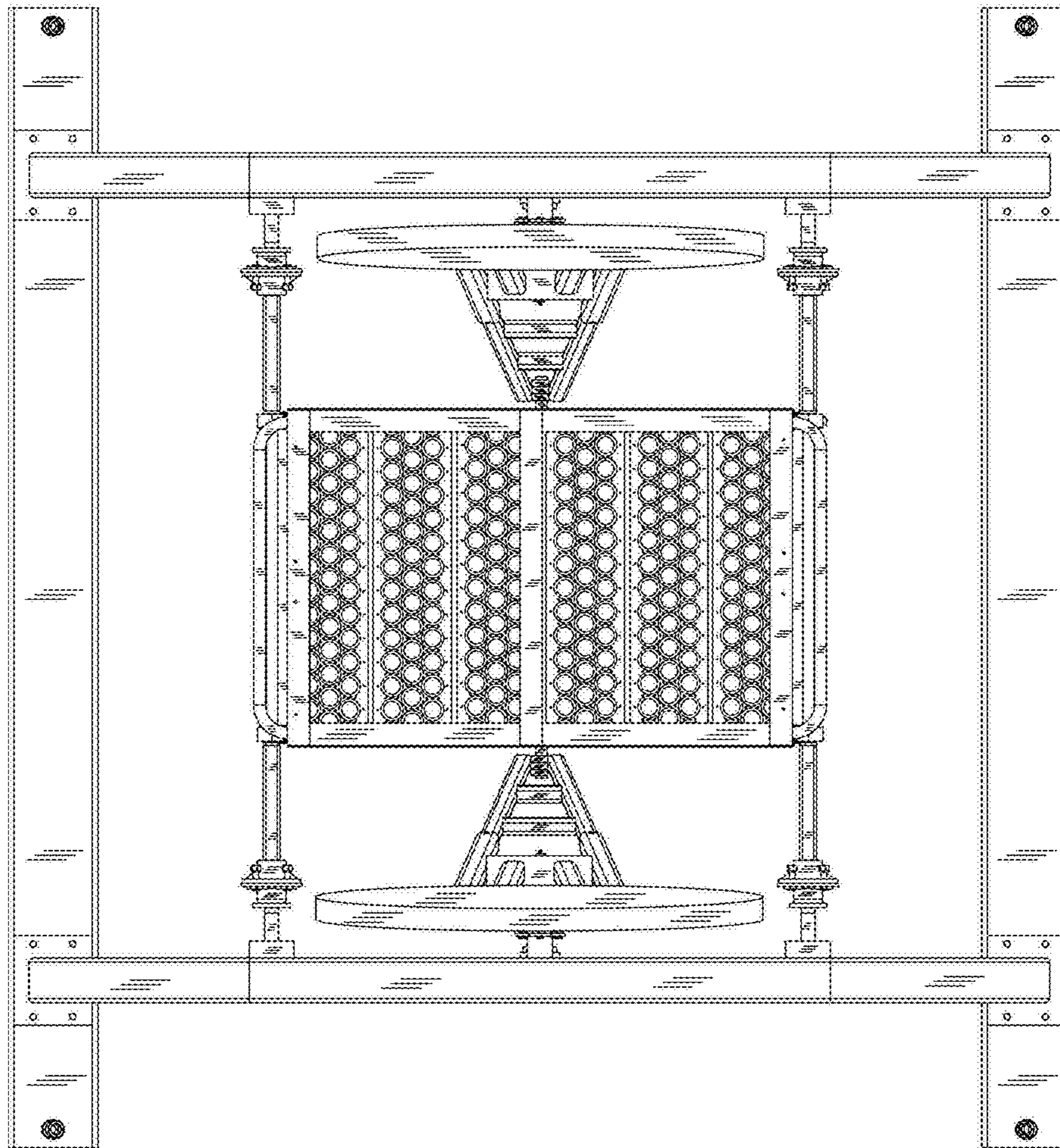


Fig. 4

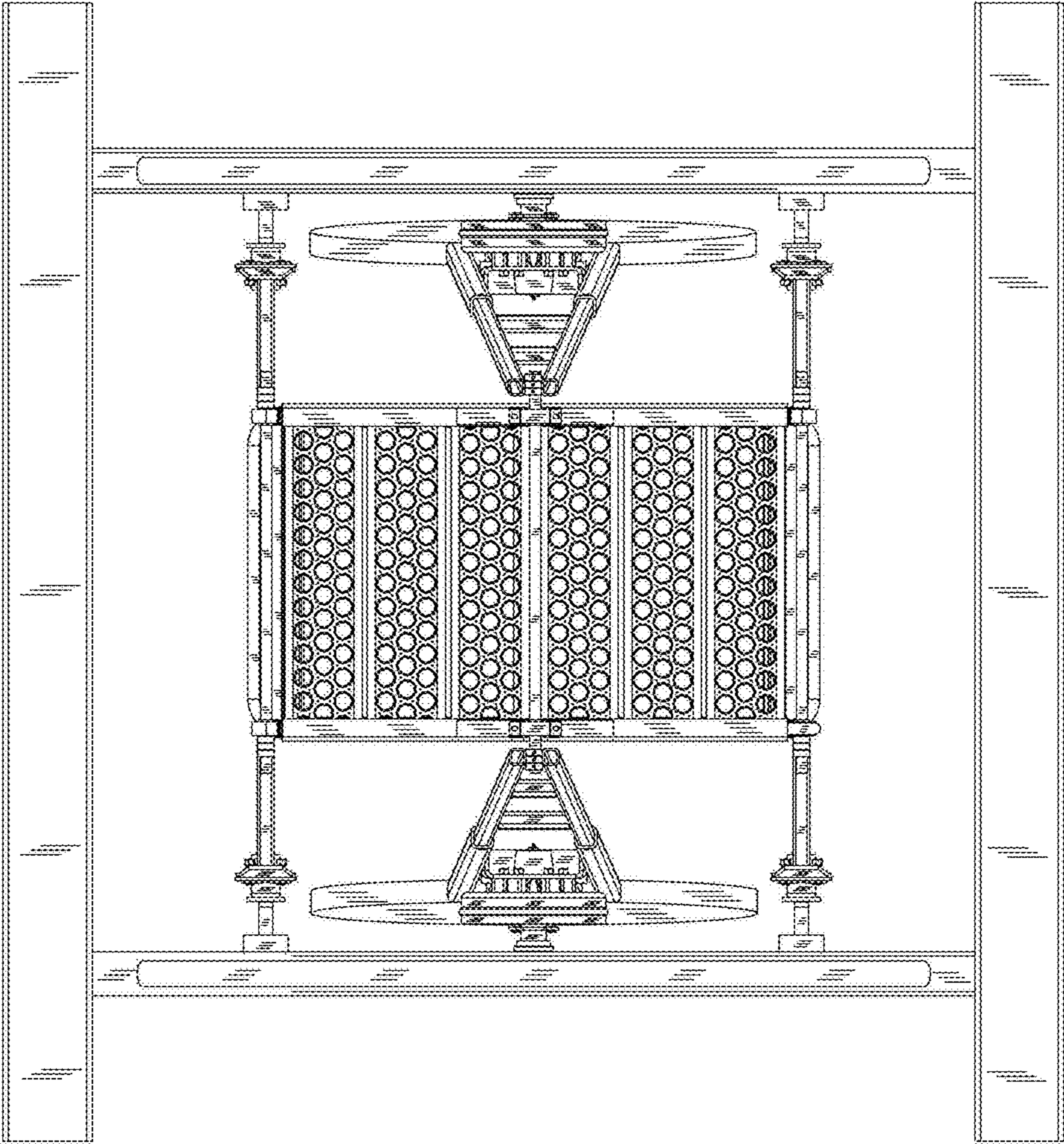


Fig. 5

Fig. 6

