



US00D856449S

(12) **United States Design Patent** (10) **Patent No.:** **US D856,449 S**
Serrano (45) **Date of Patent:** **** Aug. 13, 2019**

(54) **GOLF CLUB HEAD**

D396,080 S 7/1998 Bottema
D399,274 S 10/1998 Bradford
D404,451 S 1/1999 Sheets
D405,836 S * 2/1999 Nicolette D21/736
(Continued)

(71) Applicant: **KARSTEN MANUFACTURING CORPORATION**, Phoenix, AZ (US)

(72) Inventor: **Anthony D. Serrano**, Anthem, AZ (US)

FOREIGN PATENT DOCUMENTS

(73) Assignee: **Karsten Manufacturing Corporation**, Phoenix, AZ (US)

CN 2920325 Y 7/2007
CN 103252065 A 8/2013
(Continued)

(**) Term: **15 Years**

OTHER PUBLICATIONS

(21) Appl. No.: **29/640,314**

Odyssey Works Tank Cruiser #1w, <http://www.pgatoursuperstore.com/odyssey-works-tank-cruiser-1w/1000000005200.jsp> , Date Accessed: Dec. 14, 2016.

(22) Filed: **Mar. 13, 2018**

(51) **LOC (12) Cl.** **21-02**

(Continued)

(52) **U.S. Cl.**

USPC **D21/743**

(58) **Field of Classification Search**

USPC D21/736-746

CPC A63B 53/00; A63B 53/04; A63B 53/007;

A63B 53/065; A63B 53/0487; A63B

60/00; A63B 60/46

See application file for complete search history.

Primary Examiner — Mitchell I. Siegel

(57) **CLAIM**

The ornamental design for a golf club head, as shown and described.

DESCRIPTION

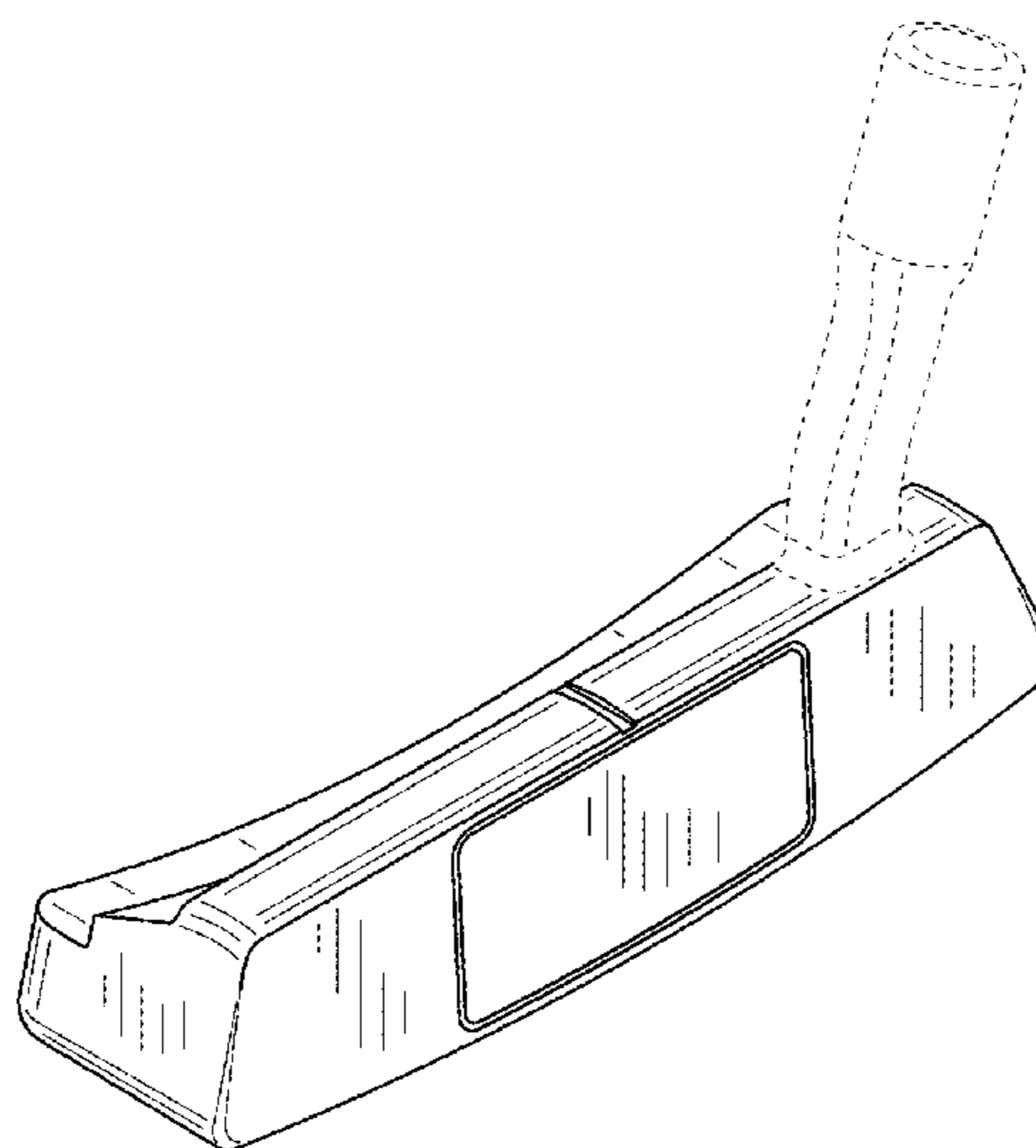
FIG. 1 is a top perspective view of a golf club head; FIG. 2 is a bottom perspective view of the golf club head of FIG. 1; FIG. 3 is a top view of the golf club head of FIG. 1; FIG. 4 is a bottom view of the golf club head of FIG. 1; FIG. 5 is a front view of the golf club head of FIG. 1; FIG. 6 is a rear view of the golf club head of FIG. 1; FIG. 7 is a heel side view of the golf club head of FIG. 1; and, FIG. 8 is a toe side view of the golf club head of FIG. 1. The broken line showing of is included for the purpose of illustrating unclaimed subject matter and forms no part of the claimed design.

(56) **References Cited**

U.S. PATENT DOCUMENTS

3,652,094 A 3/1972 Glover
D234,960 S 4/1975 Swash
D235,668 S 7/1975 Swash
D281,092 S 10/1985 Mills
4,869,507 A 9/1989 Sahn
D306,334 S 2/1990 Alcalá
D310,115 S 8/1990 Iinuma
D310,699 S 9/1990 Parente et al.
D324,895 S 3/1992 Antonious
D335,315 S 5/1993 Shearer
D344,564 S 2/1994 Oakleaf
D372,752 S 8/1996 Raudman
D385,935 S 11/1997 Cameron
D394,690 S * 5/1998 Sheets D21/743
5,746,664 A 5/1998 Reynolds, Jr.

1 Claim, 5 Drawing Sheets



(56)

References Cited

U.S. PATENT DOCUMENTS

D410,267 S 5/1999 Solheim et al.
 6,048,275 A 4/2000 Gedeon
 D426,599 S 6/2000 Morgan et al.
 D438,273 S 2/2001 Sizemore, Jr.
 D445,865 S 7/2001 Mills
 D449,085 S 10/2001 Breier et al.
 D459,423 S * 6/2002 Long D21/744
 D474,253 S 5/2003 Mills
 D483,823 S * 12/2003 Swist D21/736
 D485,320 S 1/2004 Breier et al.
 D488,526 S 4/2004 Souza et al.
 D499,782 S 12/2004 Stites et al.
 D500,109 S 12/2004 Solheim et al.
 D500,110 S 12/2004 Solheim et al.
 D501,233 S 1/2005 Thomas
 6,837,801 B1 1/2005 Souza et al.
 6,893,355 B2 5/2005 Souza et al.
 D506,237 S 6/2005 Byrne et al.
 D507,612 S 7/2005 Souza et al.
 D508,546 S 8/2005 Oldknow
 6,926,615 B1 8/2005 Souza et al.
 6,960,140 B2 11/2005 Solheim et al.
 6,968,645 B2 11/2005 Epps et al.
 D513,050 S 12/2005 Grimaldo
 D515,646 S 2/2006 Perry
 D520,583 S 5/2006 Rollinson et al.
 D520,584 S 5/2006 Karlsen
 D521,582 S 5/2006 Souza et al.
 7,052,411 B2 5/2006 Solheim et al.
 D522,598 S 6/2006 Solheim et al.
 D523,102 S 6/2006 Stites et al.
 D524,887 S 7/2006 Jones et al.
 D525,328 S 7/2006 Solheim et al.
 D525,329 S 7/2006 Jones et al.
 D527,433 S 8/2006 Hueber
 7,086,957 B2 8/2006 Solheim et al.
 D527,777 S 9/2006 Solheim et al.
 D529,109 S 9/2006 Jones
 7,112,147 B2 9/2006 Solheim et al.
 D529,560 S 10/2006 Madore
 D529,564 S 10/2006 Grace
 D531,241 S * 10/2006 Hueber D21/742
 D532,066 S 11/2006 Tang
 D532,842 S 11/2006 Jones et al.
 D532,843 S 11/2006 Jones et al.
 D533,243 S 12/2006 Fife, Jr. et al.
 D533,609 S 12/2006 Moore et al.
 D534,978 S 1/2007 Rollinson et al.
 D537,135 S 2/2007 Rollinson et al.
 D538,364 S 3/2007 Frame et al.
 D540,411 S 4/2007 Bradford et al.
 D540,897 S 4/2007 Oldknow et al.
 D541,362 S 4/2007 Oldknow
 D542,871 S 5/2007 Oldknow
 D542,873 S 5/2007 Oldknow
 D545,385 S 6/2007 Tang et al.
 7,235,021 B2 6/2007 Solheim et al.
 D547,405 S 7/2007 Serrano et al.
 D548,294 S 8/2007 Nguyen et al.
 D548,295 S 8/2007 Jertson et al.
 D548,296 S 8/2007 Rollinson
 7,255,650 B2 8/2007 Braynt et al.
 D551,310 S 9/2007 Kuan et al.
 D552,197 S 10/2007 Wells et al.
 D552,697 S 10/2007 Johnson
 D553,207 S 10/2007 Johnson
 D559,928 S * 1/2008 Cameron D21/736
 D560,263 S 1/2008 Rubino

D564,606 S 3/2008 Oldknow et al.
 D564,612 S 3/2008 Oldknow et al.
 D565,137 S 3/2008 Oldknow et al.
 D565,142 S 3/2008 Oldknow et al.
 D565,677 S * 4/2008 Cameron D21/736
 D565,678 S * 4/2008 Cameron D21/736
 D570,934 S * 6/2008 Ban D21/744
 D570,943 S 6/2008 Chen et al.
 D571,877 S 6/2008 Jones et al.
 D571,878 S 6/2008 Jones et al.
 D571,879 S 6/2008 Jones et al.
 D571,886 S 6/2008 Stites et al.
 D572,789 S 7/2008 Stites et al.
 D574,457 S 8/2008 Stites et al.
 D574,906 S 8/2008 Jones et al.
 D574,907 S 8/2008 Jones et al.
 D574,909 S 8/2008 Jones et al.
 D574,910 S 8/2008 Jones et al.
 D574,911 S 8/2008 Jones et al.
 D574,912 S 8/2008 Jones et al.
 7,407,443 B2 8/2008 Franklin et al.
 D577,085 S * 9/2008 Nicolette D21/743
 D577,086 S * 9/2008 Nicolette D21/743
 D578,593 S 10/2008 Oldknow et al.
 D578,594 S 10/2008 Oldknow et al.
 D579,505 S 10/2008 Jones
 D579,506 S * 10/2008 Nicolette D21/743
 D579,995 S * 11/2008 Nicolette D21/743
 7,452,283 B2 11/2008 Hettinger et al.
 7,455,599 B2 11/2008 Jones
 D583,003 S 12/2008 Solheim et al.
 D584,780 S 1/2009 Ines et al.
 D587,325 S 2/2009 Solheim et al.
 D599,423 S 9/2009 Serrano et al.
 D599,424 S 9/2009 Serrano et al.
 D599,869 S 9/2009 Serrano et al.
 D599,870 S 9/2009 Serrano et al.
 D600,298 S 9/2009 Serrano et al.
 D600,760 S 9/2009 Serrano et al.
 D600,762 S 9/2009 Serrano et al.
 D601,214 S 9/2009 Serrano et al.
 7,803,066 B2 9/2010 Solheim et al.
 8,100,779 B2 1/2012 Solheim et al.
 D818,067 S * 5/2018 Toulon D21/759
 D832,948 S * 11/2018 Stokke D21/736
 2003/0083149 A1 5/2003 Scarpa et al.
 2006/0089206 A1 4/2006 Lo
 2006/0116216 A1 6/2006 Sorenson
 2007/0010348 A1 1/2007 Jung
 2007/0021230 A1 1/2007 Haack
 2007/0135232 A1 6/2007 Billings
 2008/0045353 A1 2/2008 Lo et al.
 2008/0293514 A1 11/2008 Franklin et al.
 2009/0029800 A1 1/2009 Jones et al.
 2010/0048321 A1 2/2010 Beach et al.
 2010/0222155 A1 9/2010 Jones et al.
 2014/0179459 A1 6/2014 Schartiger et al.
 2015/0360099 A1 12/2015 Ban et al.

FOREIGN PATENT DOCUMENTS

GB 2133295 A 7/1984
 JP 2001137400 A 5/2001

OTHER PUBLICATIONS

Cx1, <http://cureputters.com/products/cx1> , Date Accessed: Dec. 13, 2016.

* cited by examiner

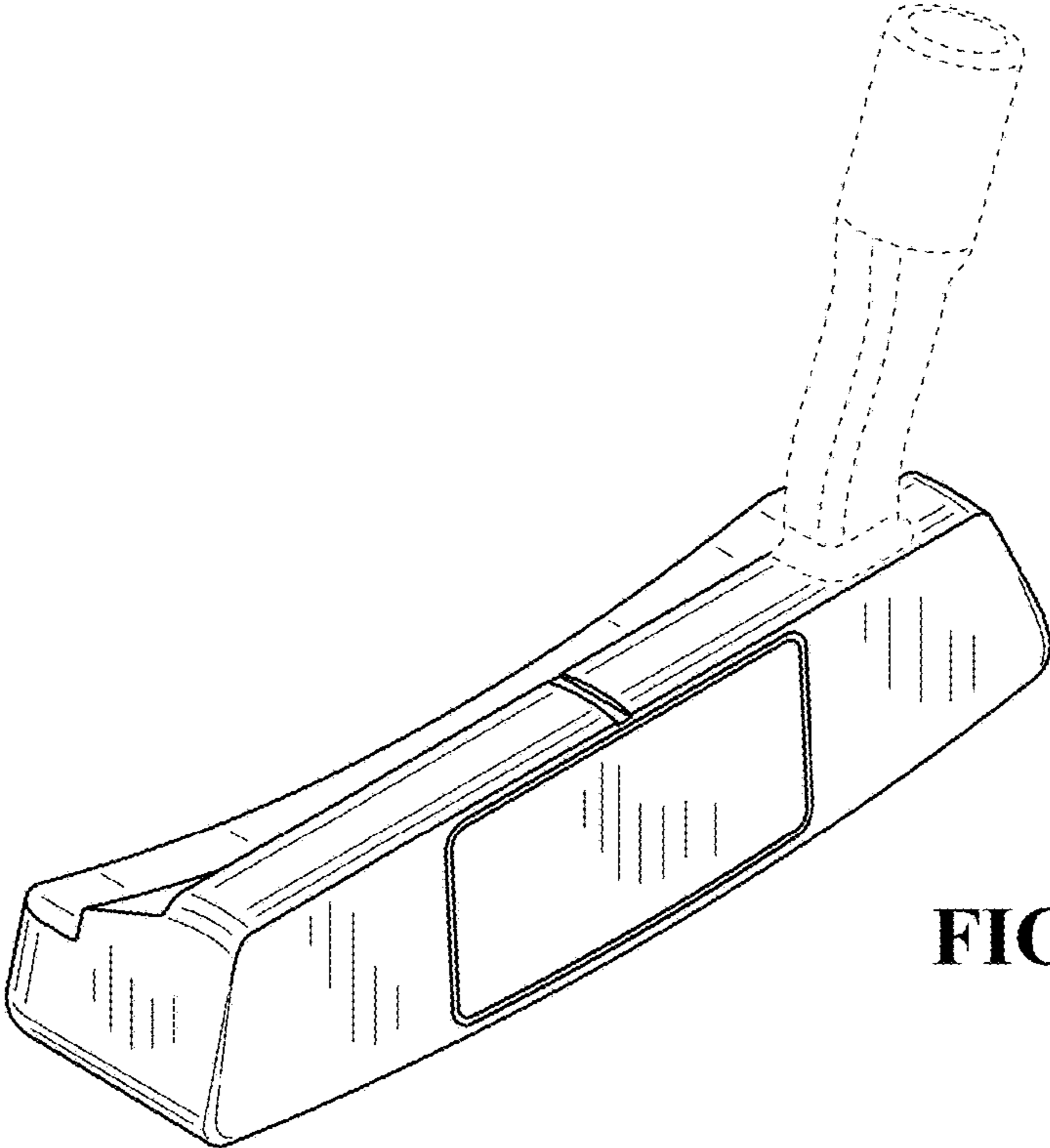


FIG.1

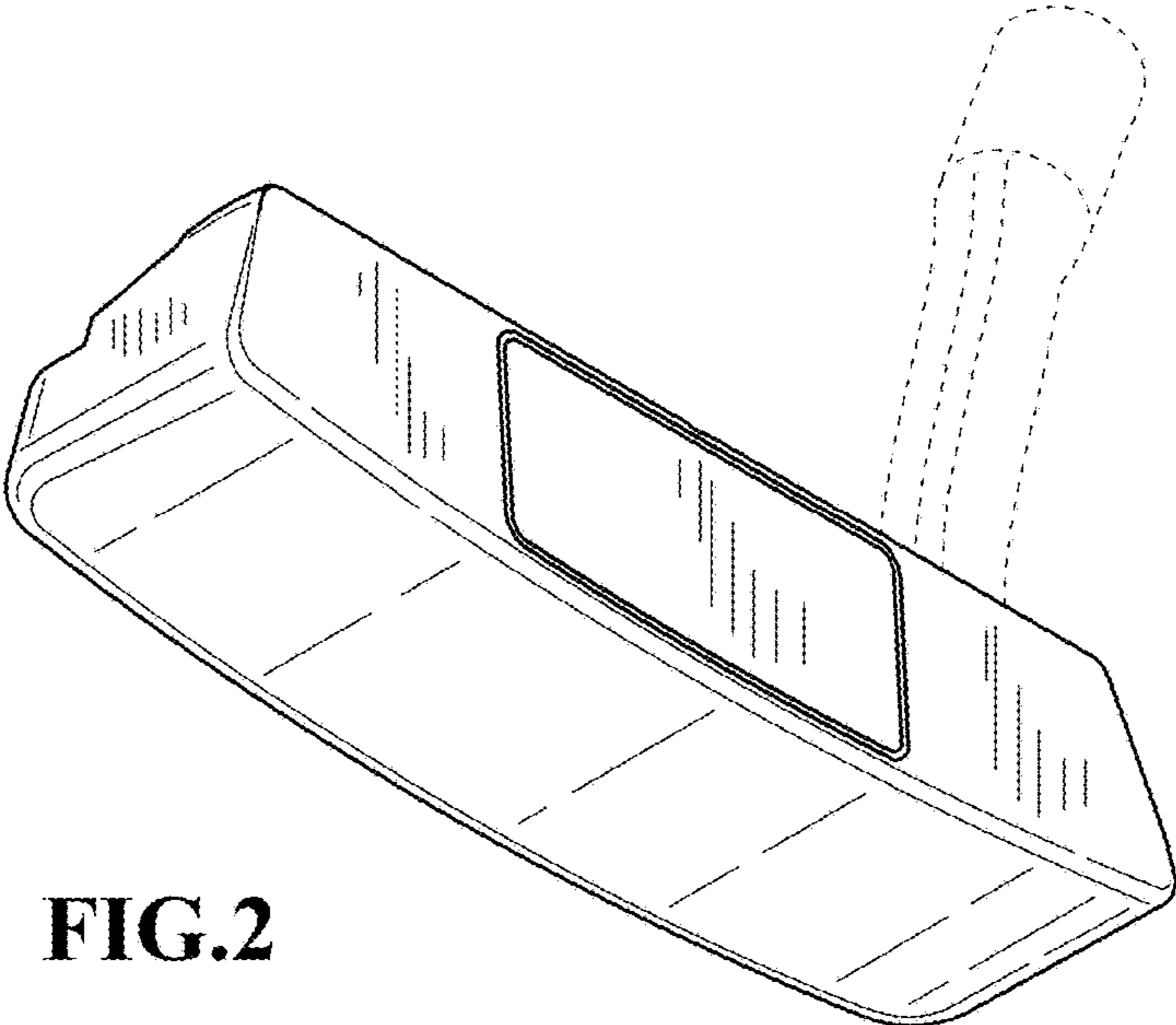


FIG.2

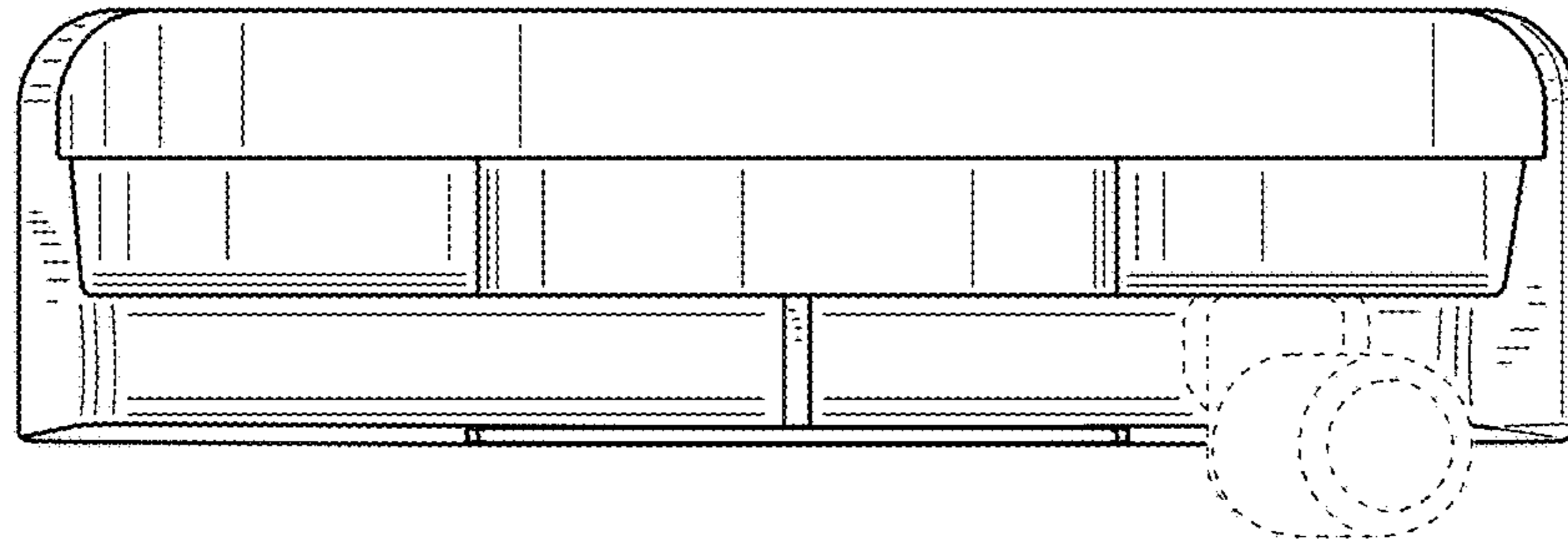


FIG.3

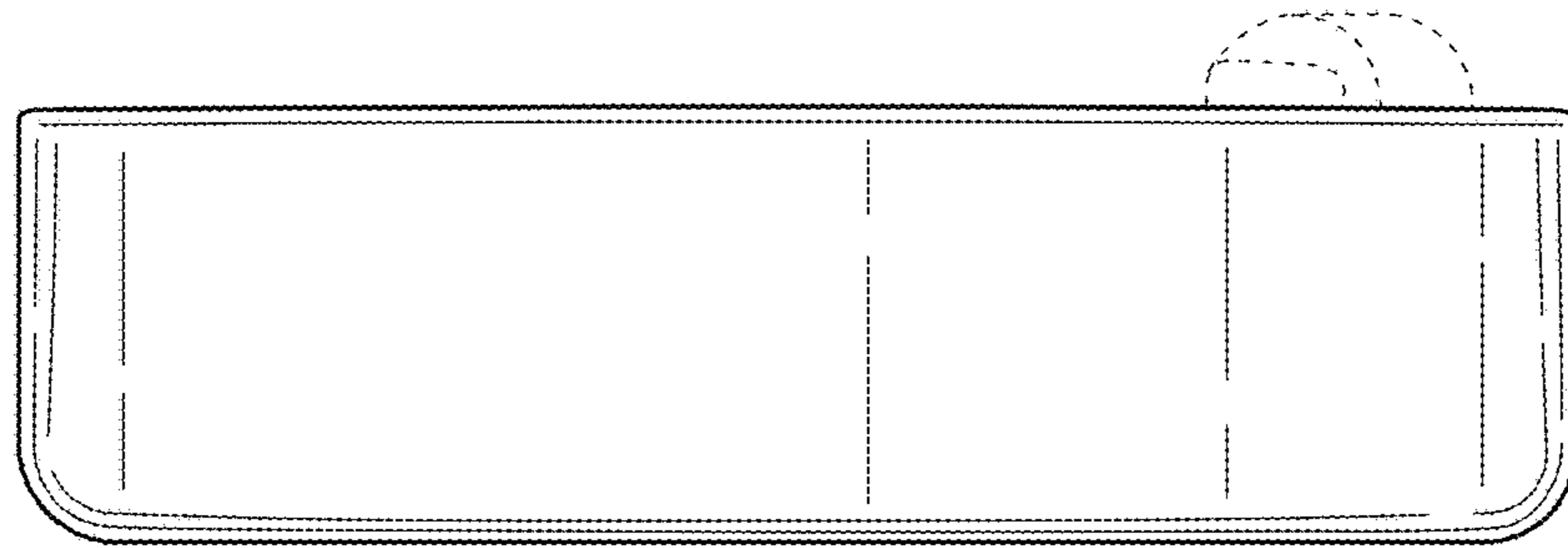


FIG.4

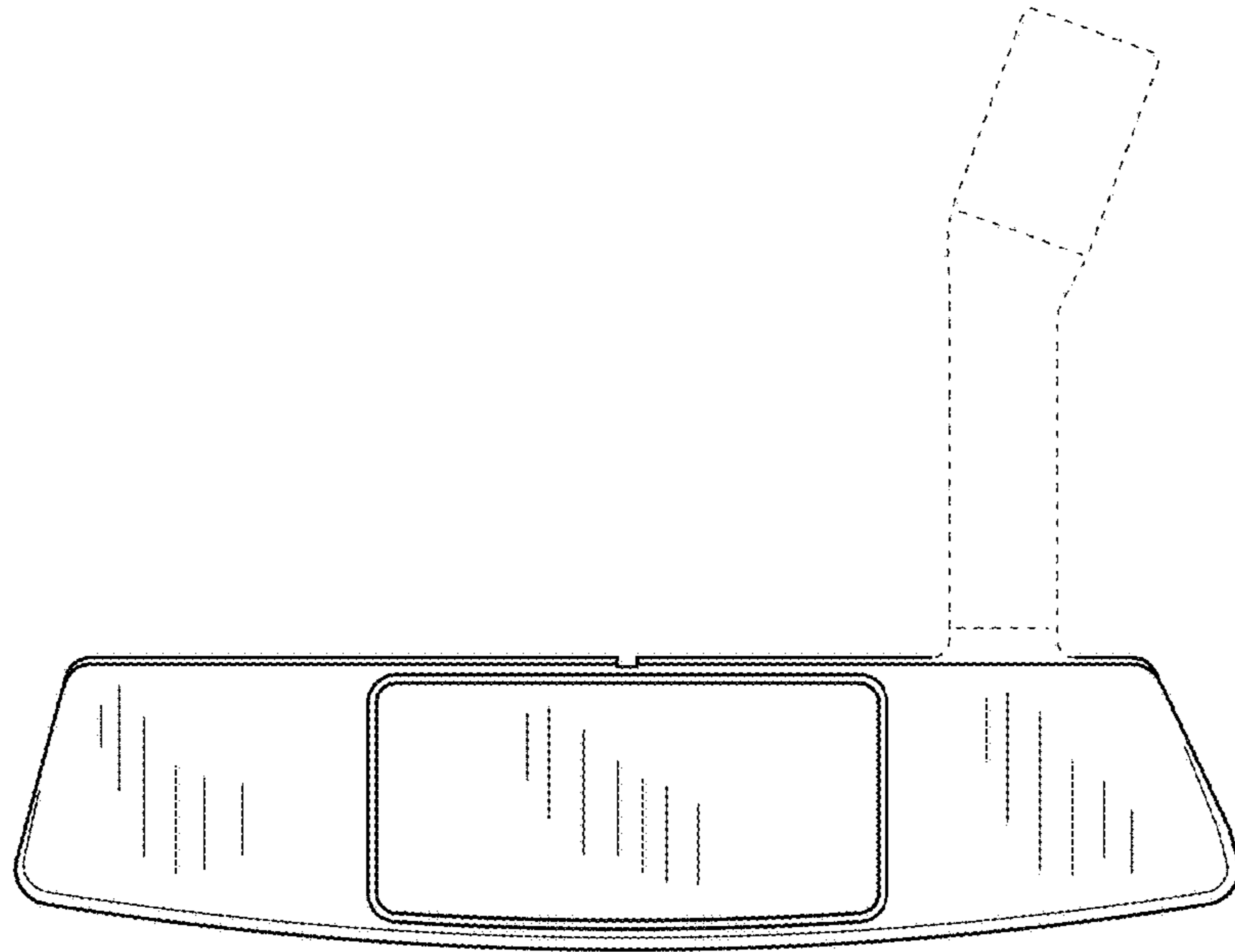


FIG.5

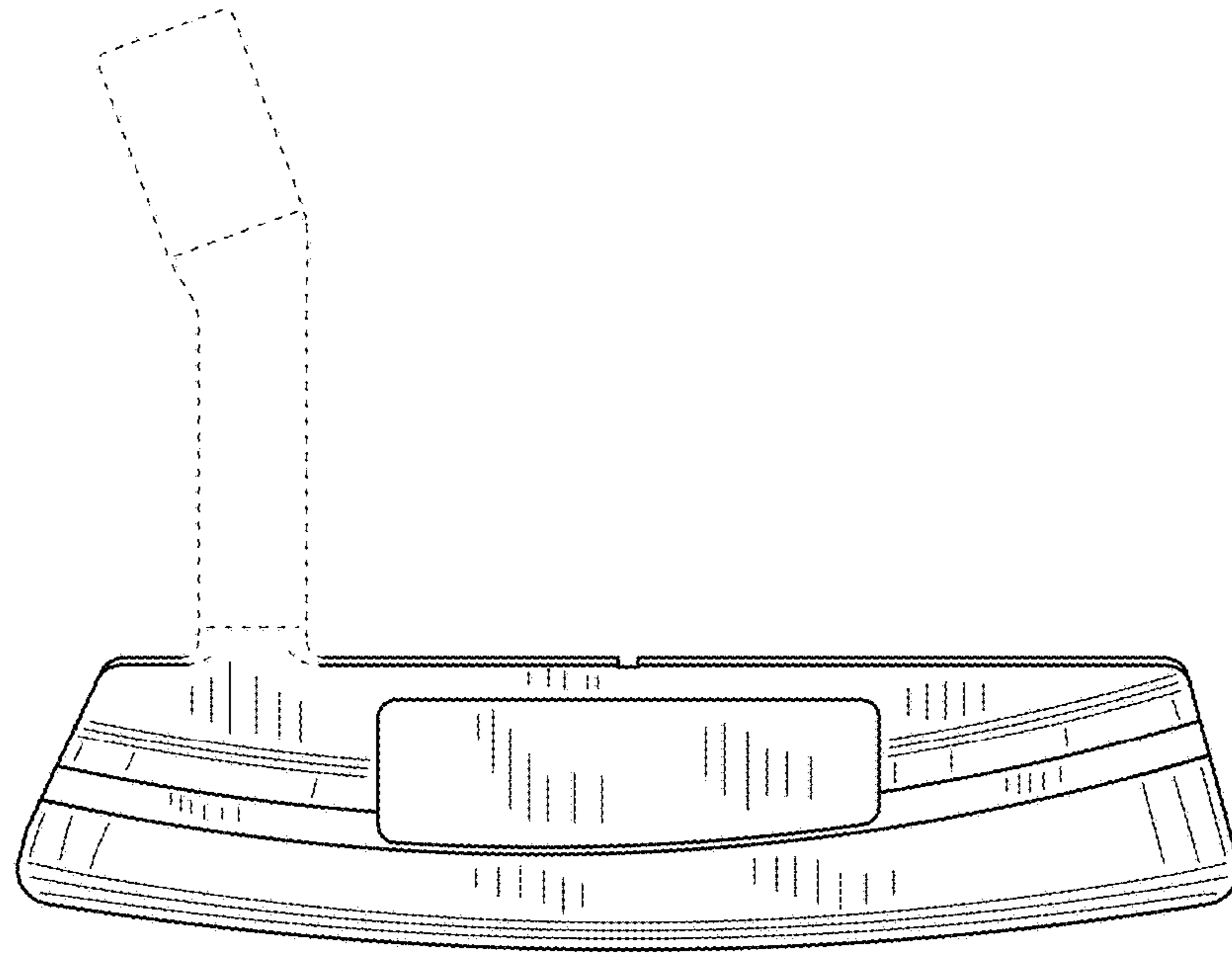


FIG.6

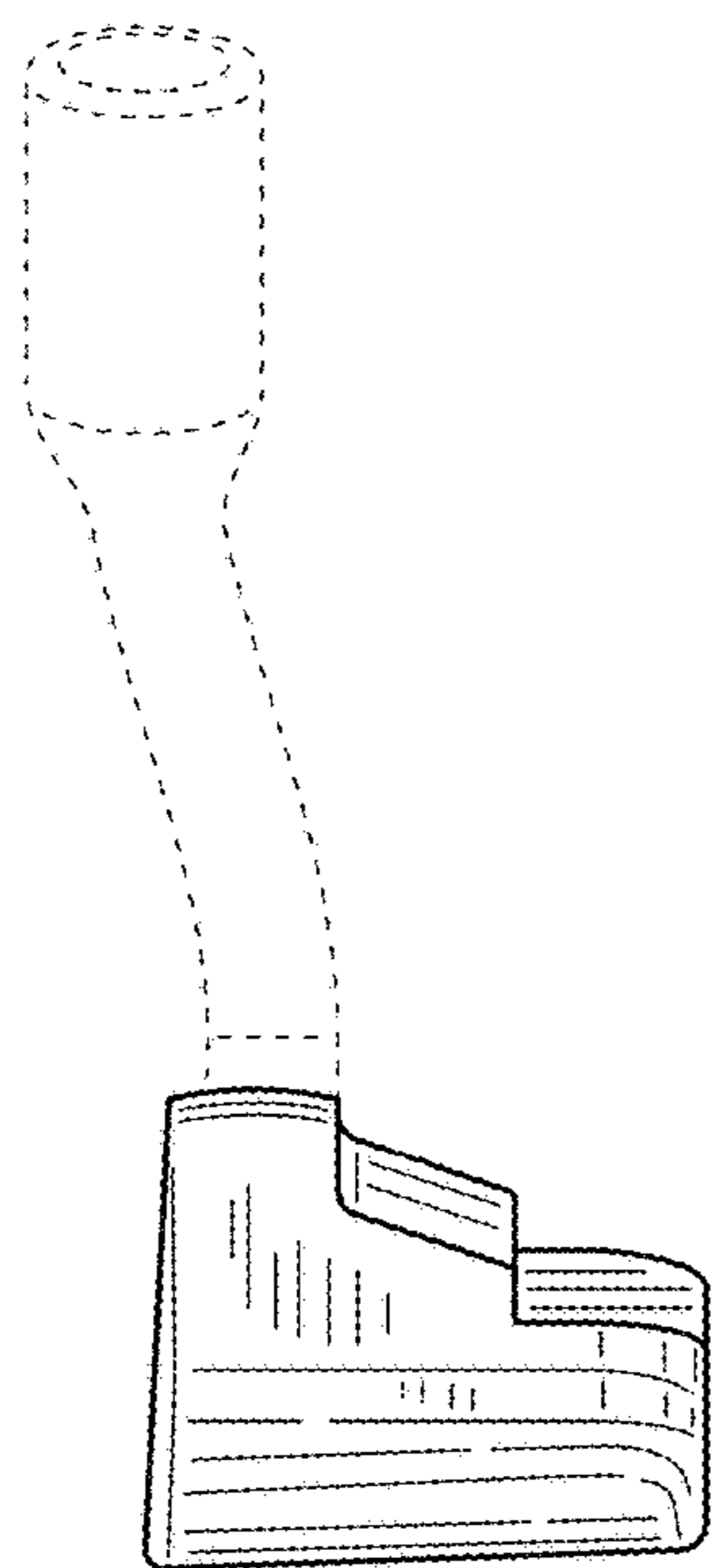


FIG. 7

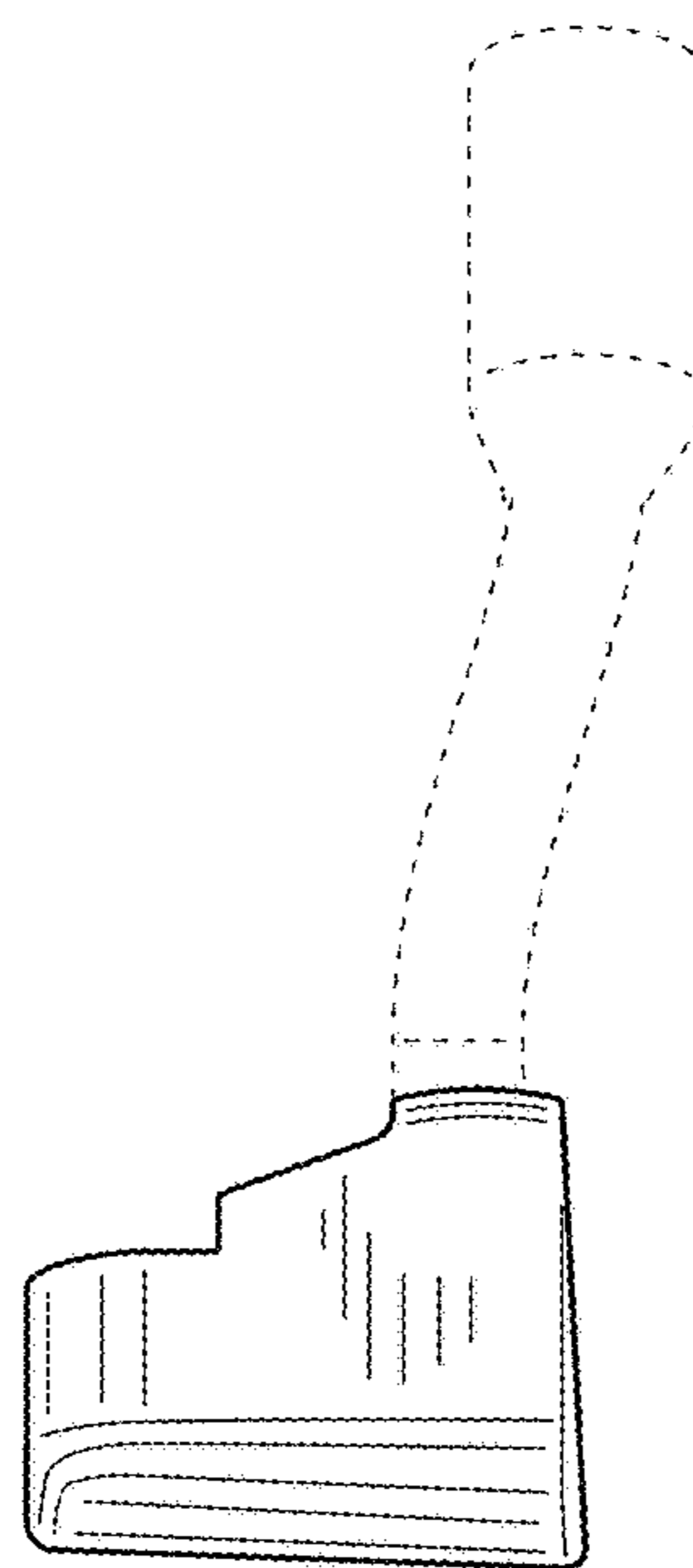


FIG. 8