



US00D856448S

(12) **United States Design Patent**
Chuang

(10) **Patent No.:** **US D856,448 S**

(45) **Date of Patent:** **** Aug. 13, 2019**

(54) **HANDLE OF EXERCISE DEVICE**
(71) Applicant: **Lung-Fei Chuang**, Taichung (TW)
(72) Inventor: **Lung-Fei Chuang**, Taichung (TW)
(**) Term: **15 Years**
(21) Appl. No.: **29/625,202**
(22) Filed: **Nov. 7, 2017**

D560,463 S * 1/2008 Egan D8/303
D565,384 S * 4/2008 Chen D8/303
D613,348 S * 4/2010 McVan D21/662
D614,936 S * 5/2010 Petzl D8/356
7,976,438 B1 * 7/2011 Hsu A63B 5/20
482/81
8,062,193 B2 * 11/2011 Oesterling A63B 5/20
482/82
D697,220 S * 1/2014 Clementes D24/211
8,863,613 B2 * 10/2014 Lin B62K 23/06
74/551.9
9,061,728 B2 * 6/2015 Galstad B62K 21/12
D823,405 S * 7/2018 Roepke D21/694

(30) **Foreign Application Priority Data**

Jul. 26, 2017 (TW) 106211006

(51) **LOC (12) Cl.** **21-02**

(52) **U.S. Cl.**
USPC **D21/694**

(58) **Field of Classification Search**
USPC 482/44, 45, 46, 49, 81, 82, 121;
D12/114, 178; D8/107, 303, 356;
D24/211; D21/662, 672, 682, 684, 694;
D7/393, 394; 16/421
CPC A63B 21/018; A63B 21/0552; A63B 5/20;
B62K 21/26; B62K 21/12; A01B 1/00
See application file for complete search history.

(56) **References Cited**

U.S. PATENT DOCUMENTS

D287,868 S * 1/1987 Whaley D21/672
D319,770 S * 9/1991 Borromeo D8/303
D366,015 S * 1/1996 McCormack D12/114
5,606,772 A * 3/1997 Ilic A01B 1/00
16/421
D435,002 S * 12/2000 Giard D12/114
6,263,759 B1 * 7/2001 Hollingsworth B62K 21/26
74/551.9
D527,776 S * 9/2006 Willardson D21/694
D529,360 S * 10/2006 Wimmer D8/80
D554,465 S * 11/2007 Laurienzo D8/303
D556,533 S * 12/2007 Gobbi D8/107

* cited by examiner

Primary Examiner — Cynthia Ramirez
Assistant Examiner — Michael A Maharajh
(74) *Attorney, Agent, or Firm* — CKC & Partners Co.,
LLC

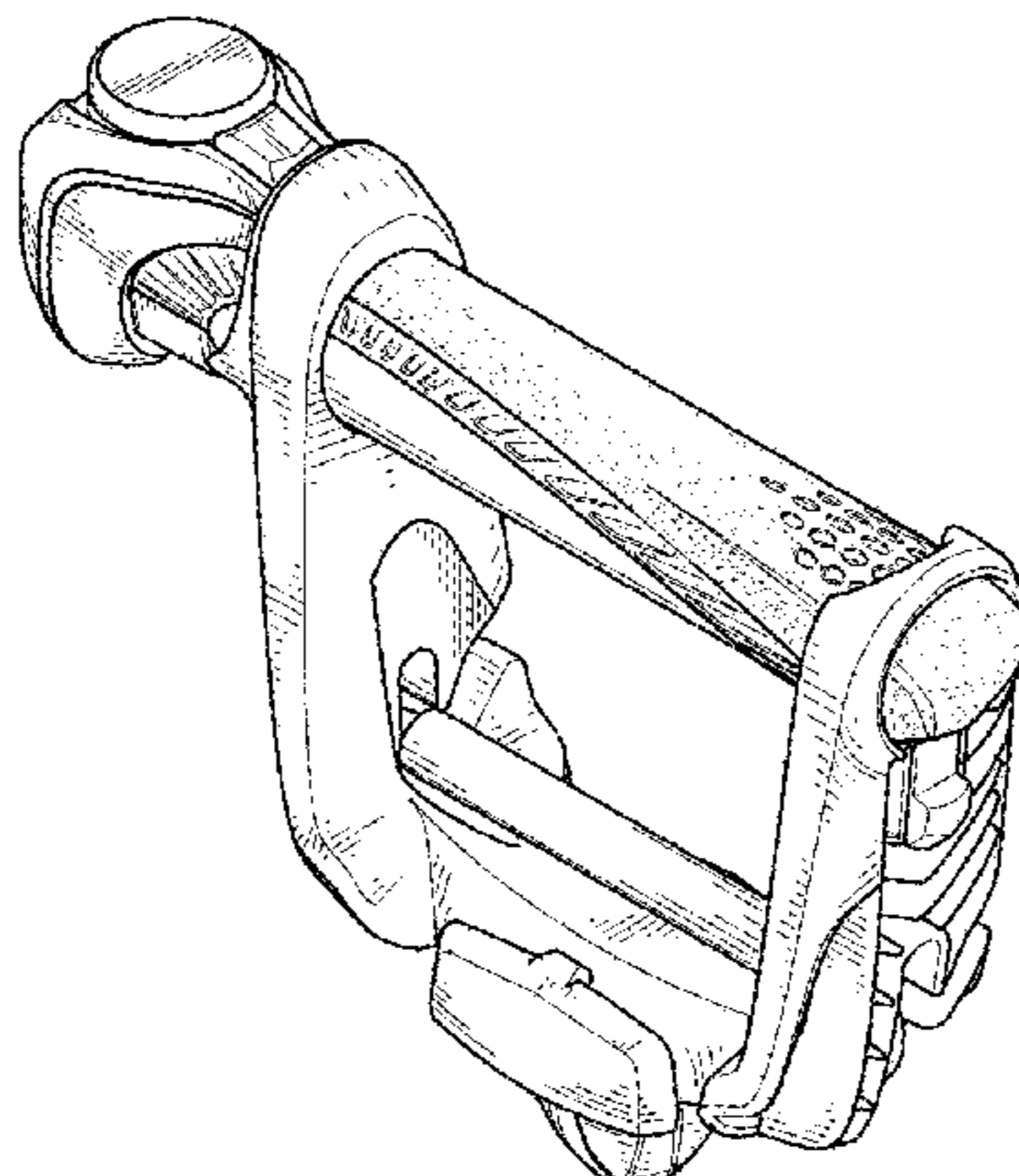
(57) **CLAIM**

The ornamental design for a handle of exercise device, as shown and described.

DESCRIPTION

FIG. 1 is a perspective view of a handle of exercise device showing my new design;
FIG. 2 is a front view thereof;
FIG. 3 is a back view thereof;
FIG. 4 is a left side view thereof;
FIG. 5 is a right side view thereof;
FIG. 6 is a top view thereof;
FIG. 7 is a bottom view thereof; and,
FIG. 8 is another perspective view thereof.
The broken lines shown in FIG. 7 are for the purpose of illustrating portions of the handle of exercise device, which form no part of the claimed design. The broken lines shown in FIG. 8 are for the purpose of illustrating environmental structure, which form no part of the claimed design.

1 Claim, 5 Drawing Sheets



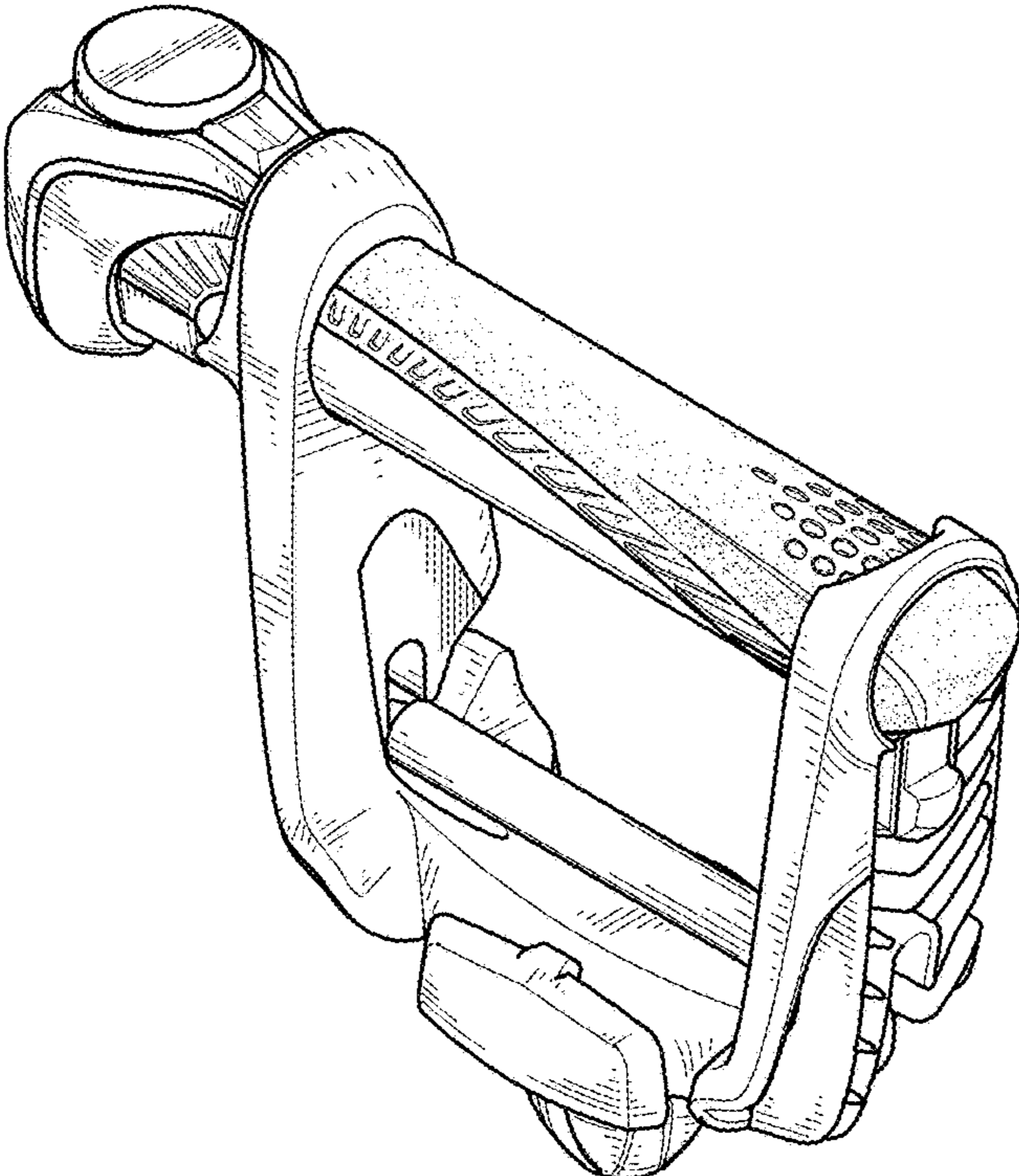


Fig. 1

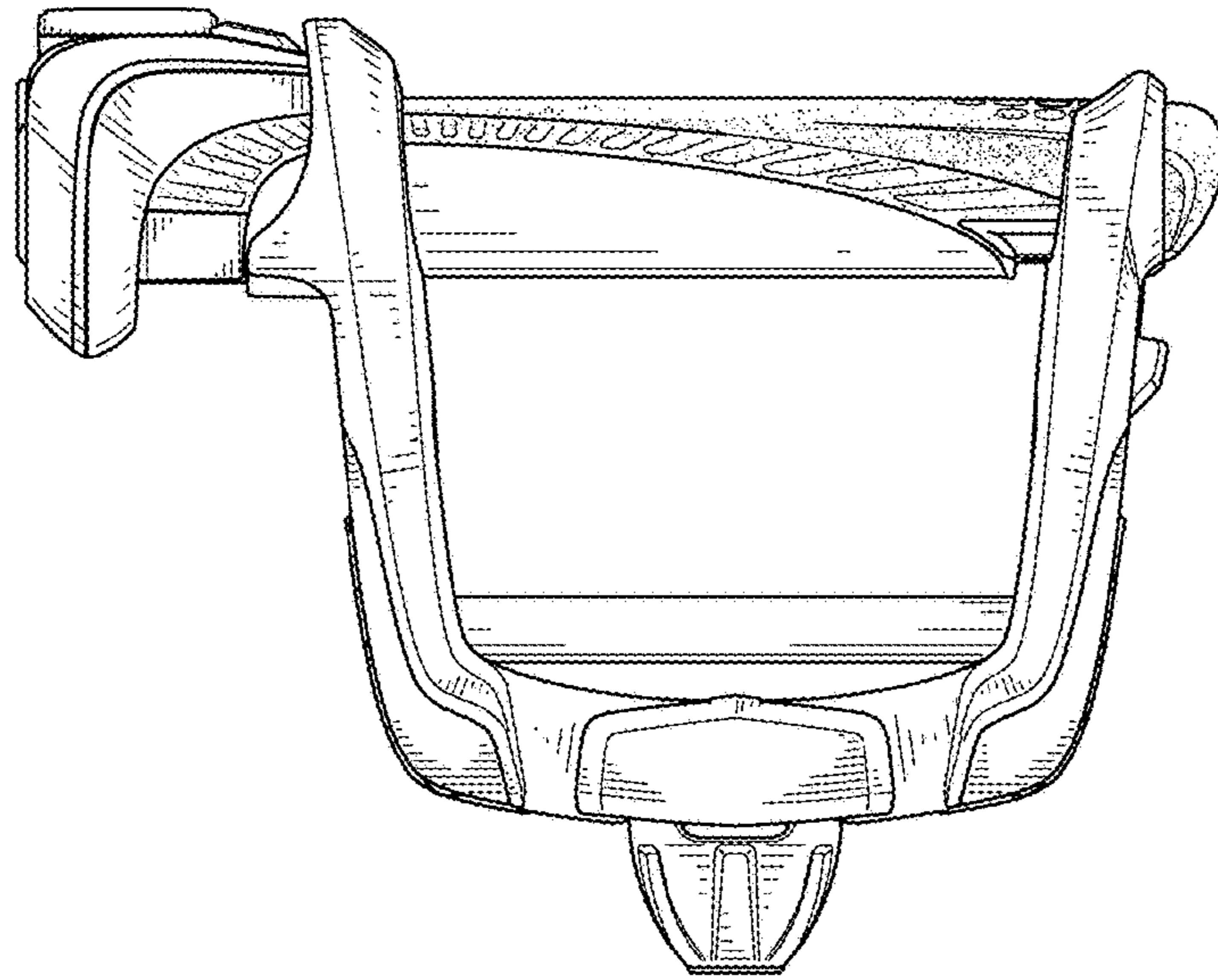


Fig. 2

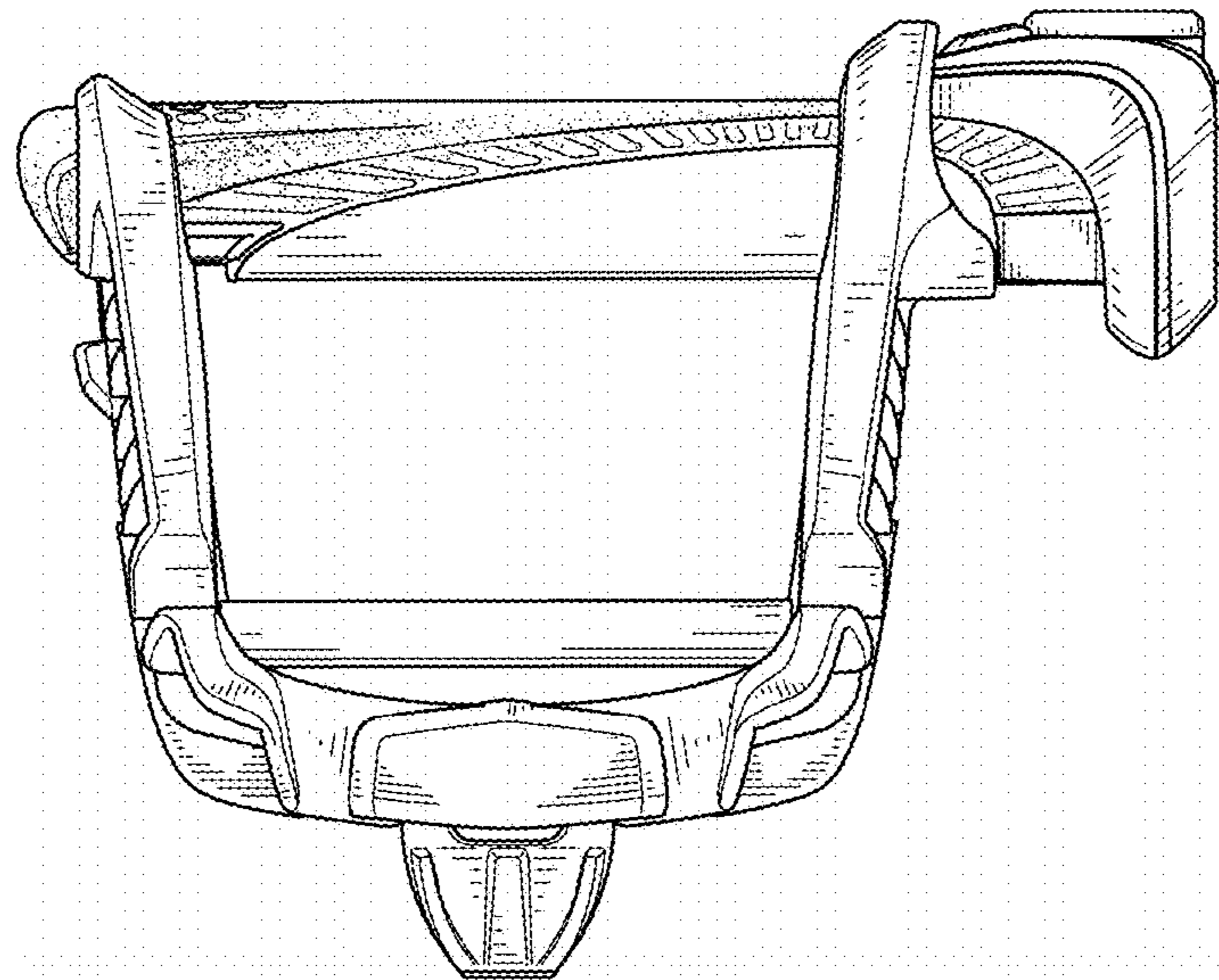


Fig. 3

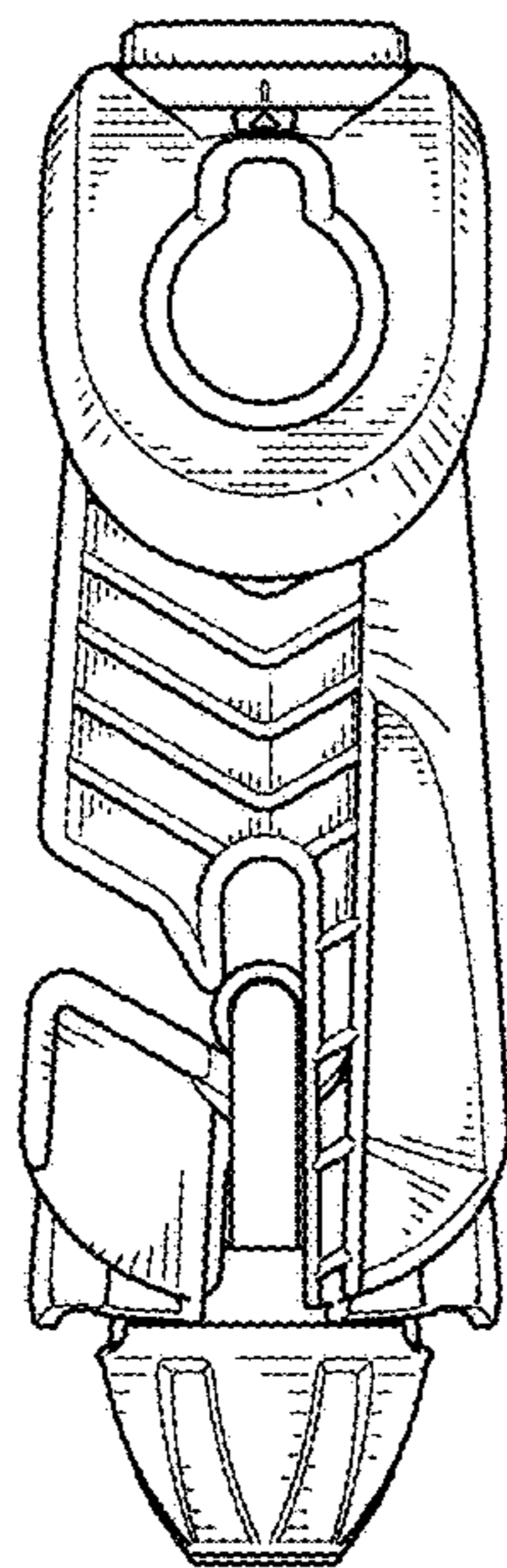


Fig. 4

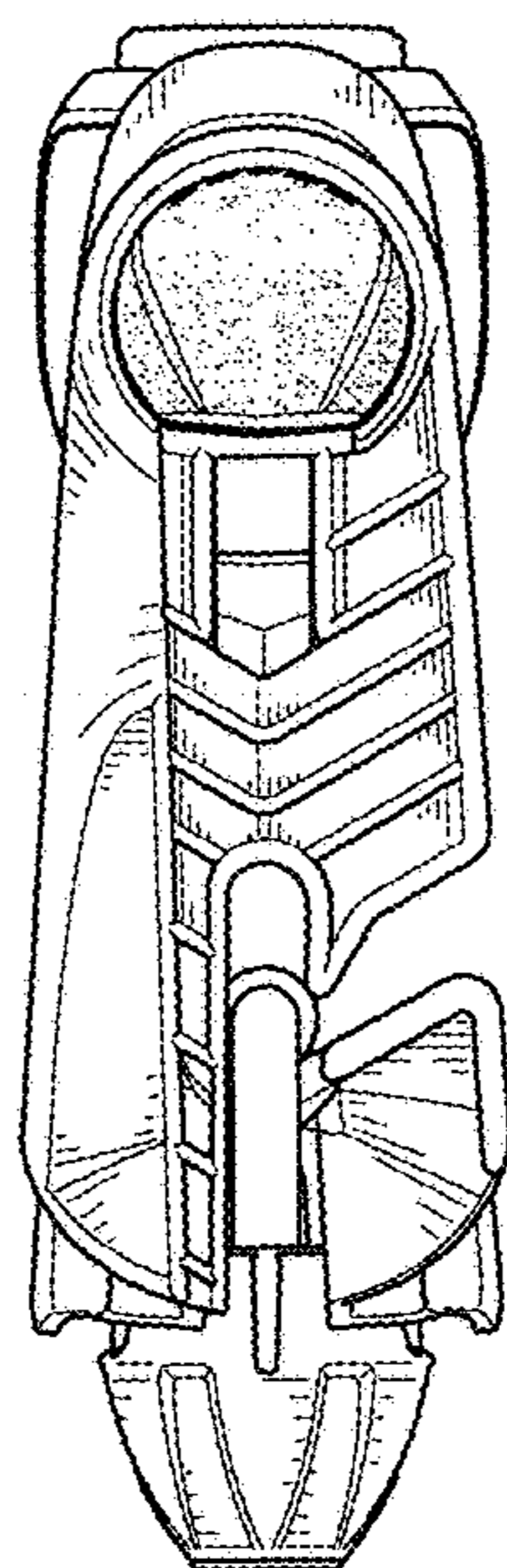


Fig. 5

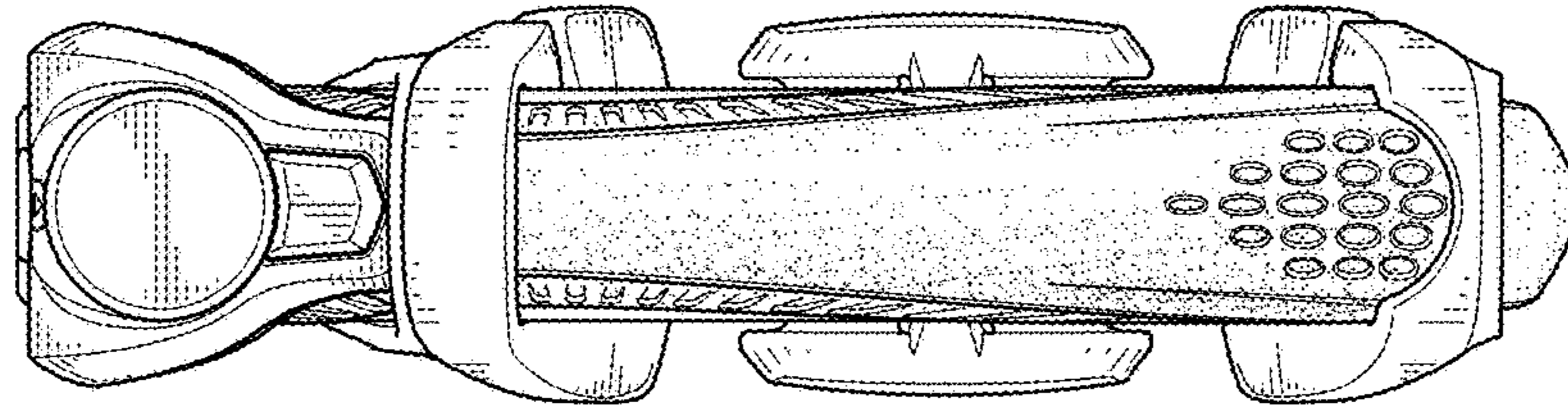


Fig. 6

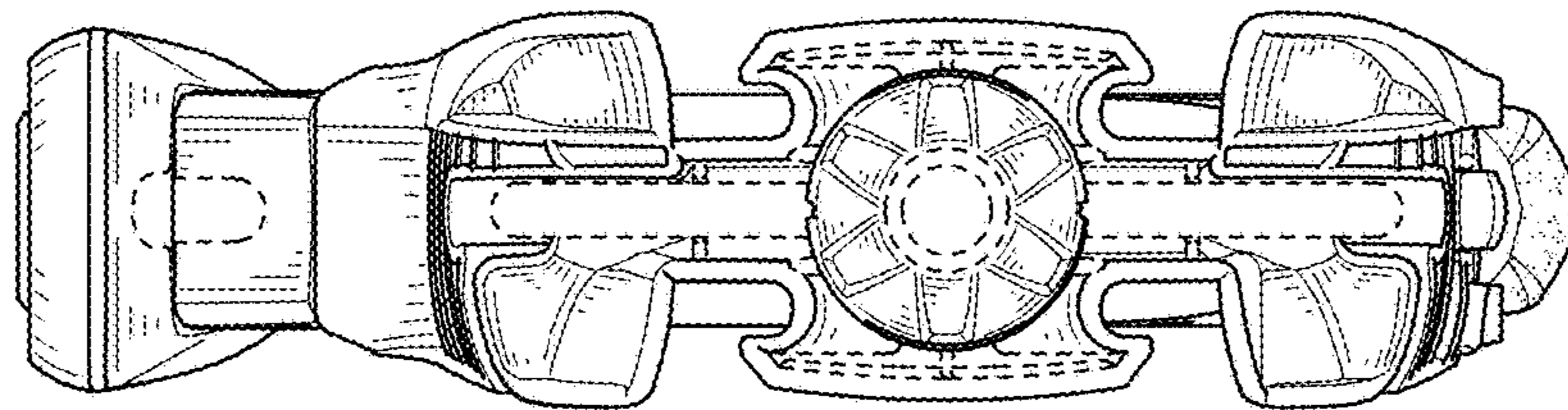


Fig. 7

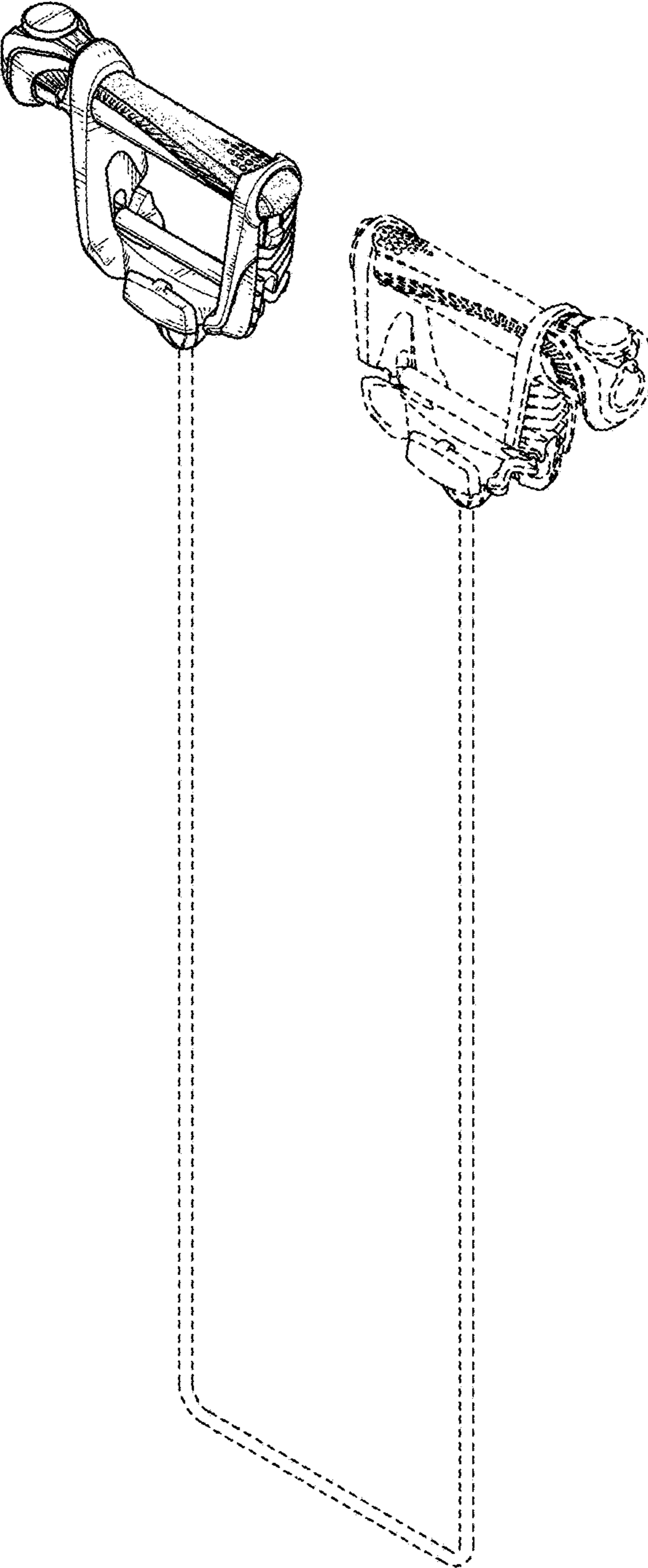


Fig. 8