



US00D856445S

(12) **United States Design Patent**
Jones

(10) **Patent No.:** **US D856,445 S**
(45) **Date of Patent:** **** Aug. 13, 2019**

- (54) **STATIONARY BICYCLE**
- (71) Applicant: **Coulter Ventures, LLC**, Columbus, OH (US)
- (72) Inventor: **Dylan Jones**, Santa Barbara, CA (US)
- (73) Assignee: **Coulter Ventures, LLC**, Columbus, OH (US)
- (**) Term: **15 Years**
- (21) Appl. No.: **29/648,364**
- (22) Filed: **May 21, 2018**
- (51) **LOC (12) Cl.** **21-02**
- (52) **U.S. Cl.**
USPC **D21/667**
- (58) **Field of Classification Search**
USPC D21/663, 667, 666, 697, 694, 665, 668, D21/664, 690, 676, 670; 482/57, 62, 482/111, 139, 145, 60, 51, 123, 72, 61, 482/58, 9; 74/502.4, 502.6, 594.2, 594.1, 74/48; D12/178, 411, 345; D23/382, D23/381, 378, 412, 411; D13/115; D15/7
CPC . A63B 22/0605; A63B 21/225; A63B 22/001; A63B 22/0664; A63B 21/4047
See application file for complete search history.

- 4,932,649 A * 6/1990 Chen A63B 21/012 482/59
- 4,961,569 A * 10/1990 Roberge F16B 7/00 482/59
- 4,961,570 A * 10/1990 Chang A63B 22/0056 482/53
- 4,971,316 A * 11/1990 Dalebout A63B 22/001 482/59
- 4,981,294 A * 1/1991 Dalebout A63B 22/001 482/59
- 5,000,444 A * 3/1991 Dalebout A63B 22/001 482/59
- D319,274 S * 8/1991 Byrd D21/667
- D319,480 S * 8/1991 Byrd D21/665

(Continued)

Primary Examiner — Ryan Harvey

(74) *Attorney, Agent, or Firm* — The Watson IP Group, PLC; Jovan N. Jovanovic

(57) **CLAIM**

The ornamental design for a stationary bicycle, as shown and described.

DESCRIPTION

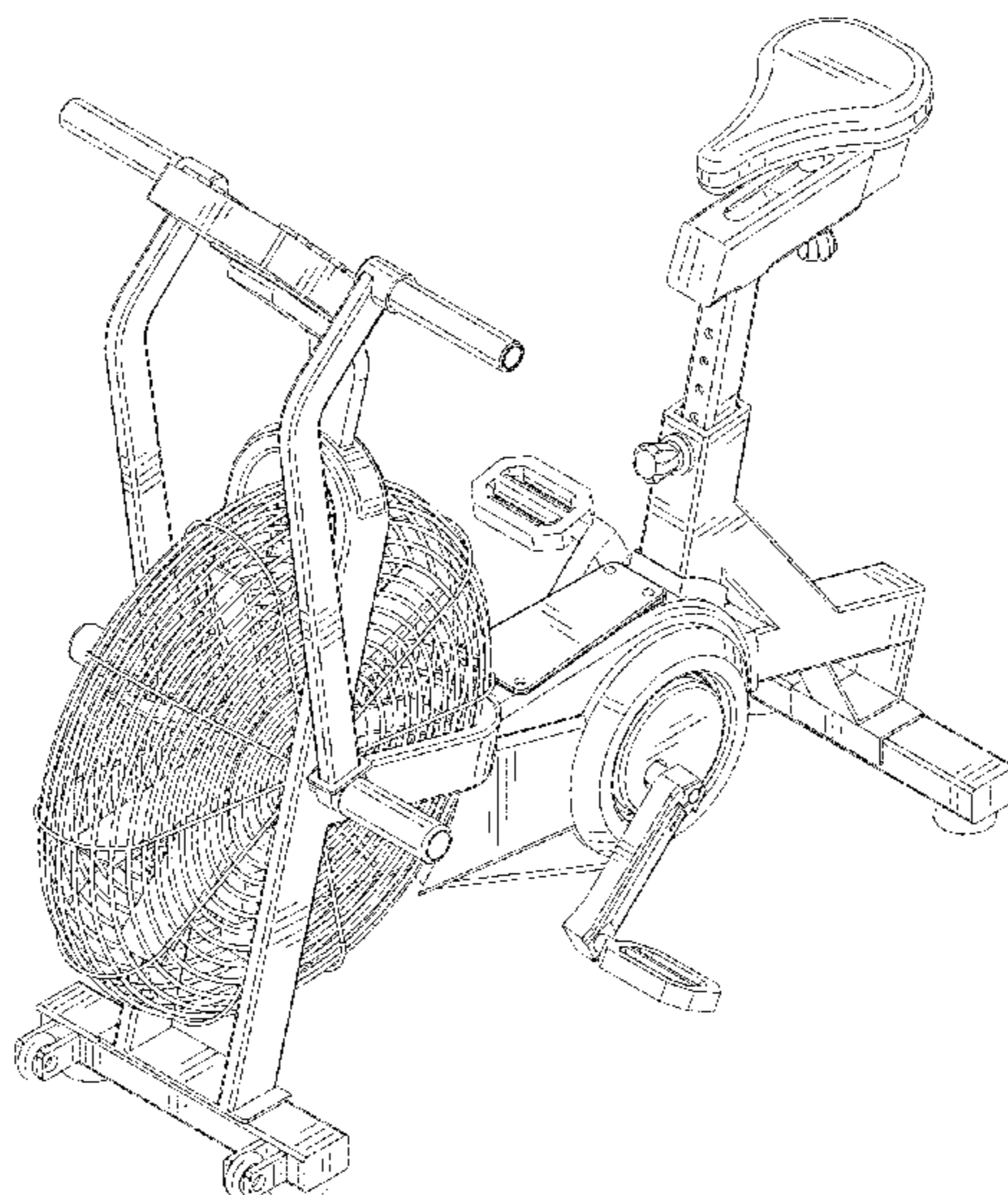
FIG. 1 of the drawings is a front, side, top perspective view of the stationary bicycle showing, in particular, the ornamental design thereof;
 FIG. 2 of the drawings is a back, side, top perspective view thereof;
 FIG. 3 of the drawings is a bottom, side, back perspective view thereof;
 FIG. 4 of the drawings is a first side elevational view thereof;
 FIG. 5 of the drawings is a second side elevational view thereof;
 FIG. 6 of the drawings is a top plan view thereof;
 FIG. 7 of the drawings is a bottom plan view thereof;
 FIG. 8 of the drawings is a front elevational view thereof;
 and,
 FIG. 9 of the drawings is a back elevational view thereof.

1 Claim, 9 Drawing Sheets

(56) **References Cited**

U.S. PATENT DOCUMENTS

- D272,182 S * 1/1984 Fowler D23/412
- 4,824,102 A * 4/1989 Lo A63B 21/157 482/59
- 4,880,225 A * 11/1989 Lucas A63B 22/001 482/59
- D306,330 S * 2/1990 Lucas D21/665
- D307,167 S * 4/1990 Lucas D21/665
- D307,614 S * 5/1990 Bingham D21/667
- D307,615 S * 5/1990 Bingham D21/665



(56)

References Cited

U.S. PATENT DOCUMENTS

D319,675 S * 9/1991 Byrd D21/665
5,149,312 A * 9/1992 Croft A63B 22/001
482/148
D330,236 S * 10/1992 Jarriel D21/665
D333,868 S * 3/1993 Yaung D23/412
RE34,478 E * 12/1993 Dalebout A63B 21/015
482/59
D344,583 S * 2/1994 Hsu D23/382
5,346,445 A * 9/1994 Chang A63B 23/12
482/62
5,397,286 A * 3/1995 Chang A63B 21/157
482/59
D418,218 S * 12/1999 Hsu D23/411
D459,796 S * 7/2002 Moreno D23/382
D488,861 S * 4/2004 Moreno D23/412
D699,305 S * 2/2014 Rauwerdink D21/665
D699,795 S * 2/2014 Rauwerdink D21/665
D699,796 S * 2/2014 Flick D21/665
D767,049 S * 9/2016 Flick D21/667
D767,050 S * 9/2016 Flick D21/694
D767,051 S * 9/2016 Flick D21/694
D781,385 S * 3/2017 Flick D21/694
9,889,336 B1 * 2/2018 Chen A63B 22/0605
2018/0064982 A1 * 3/2018 Chen A63B 21/00069
2018/0256932 A1 * 9/2018 Hsu A63B 21/0088
2018/0326257 A1 * 11/2018 Jones A63B 22/0605

* cited by examiner

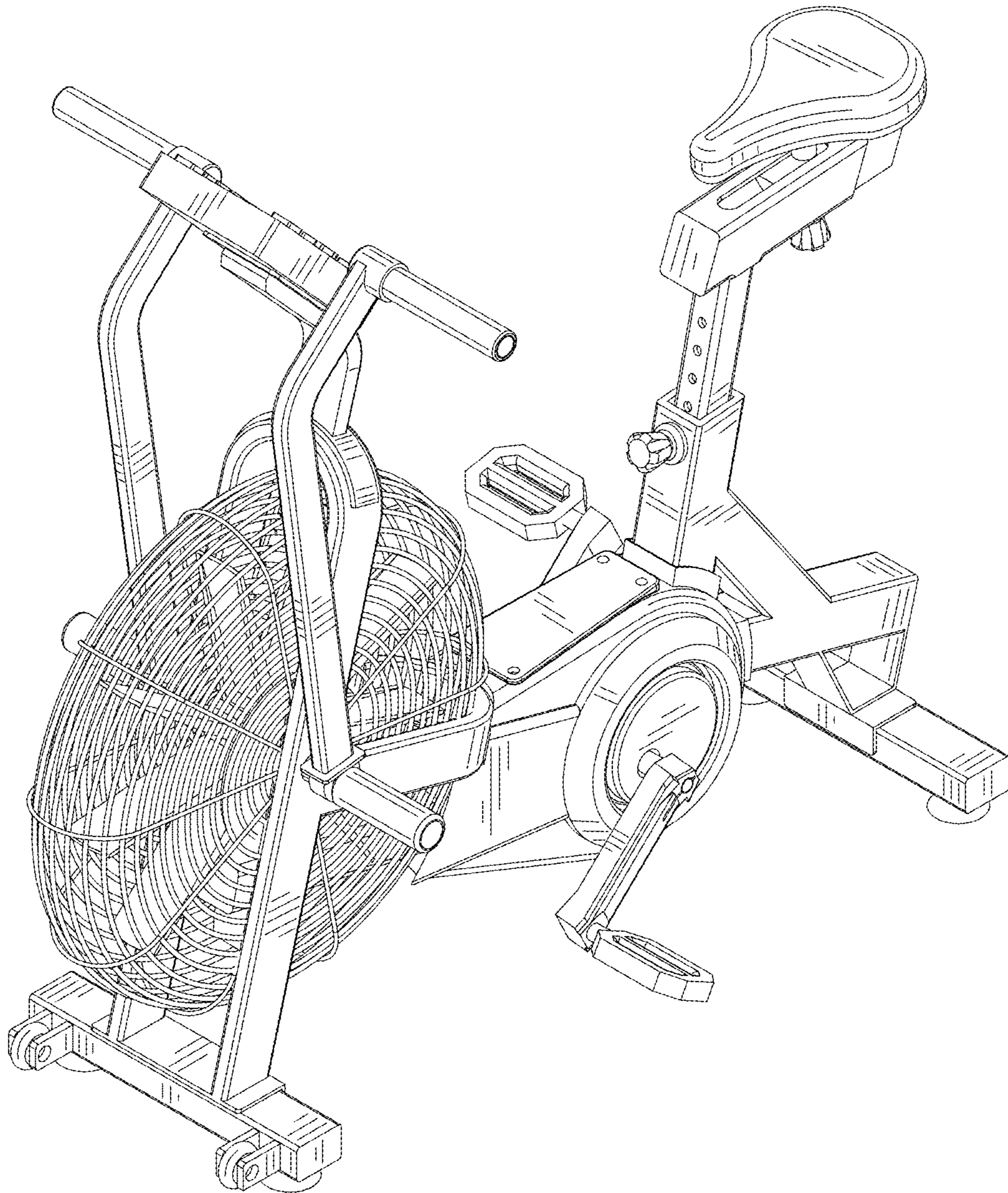


FIG. 1

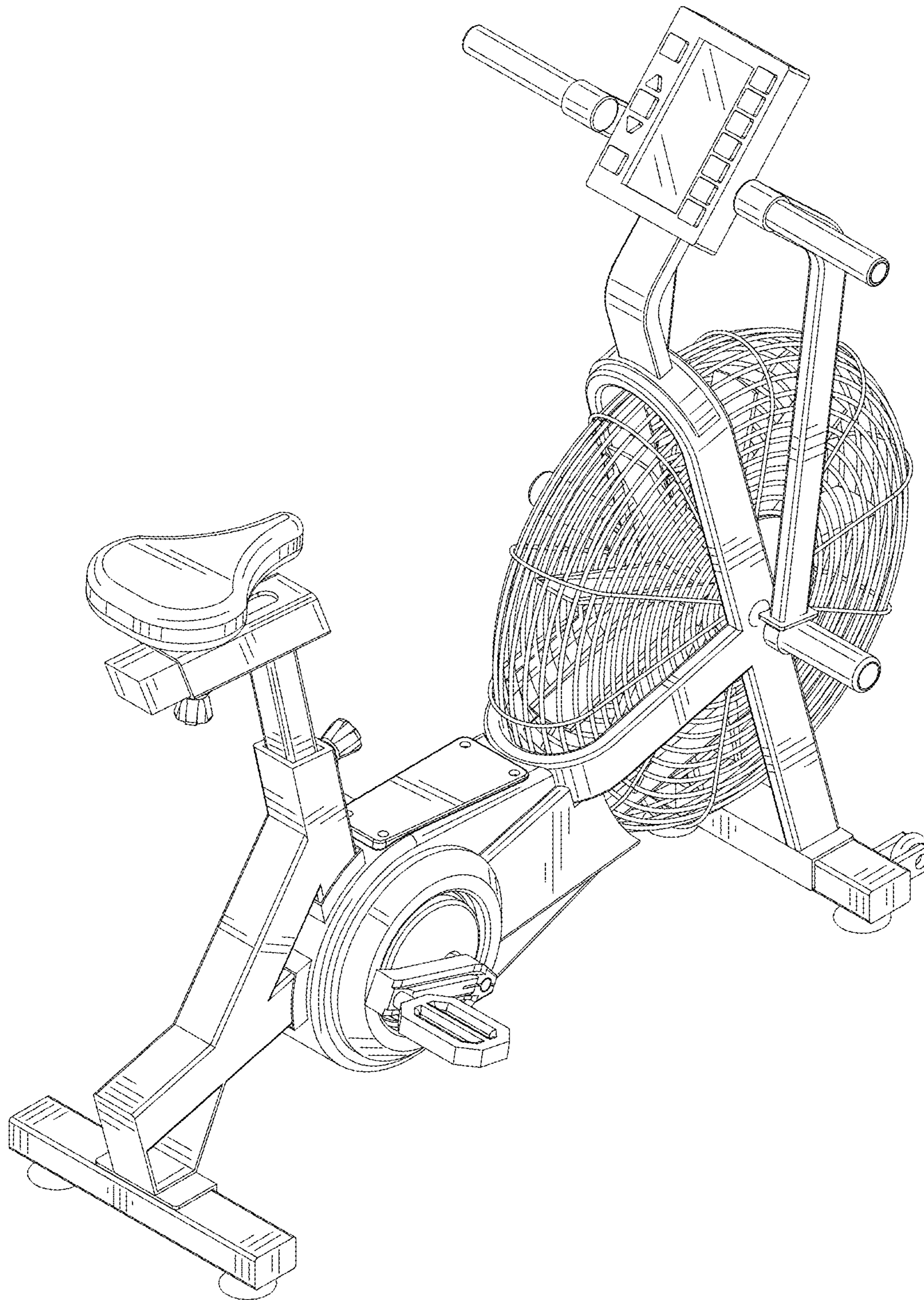


FIG. 2

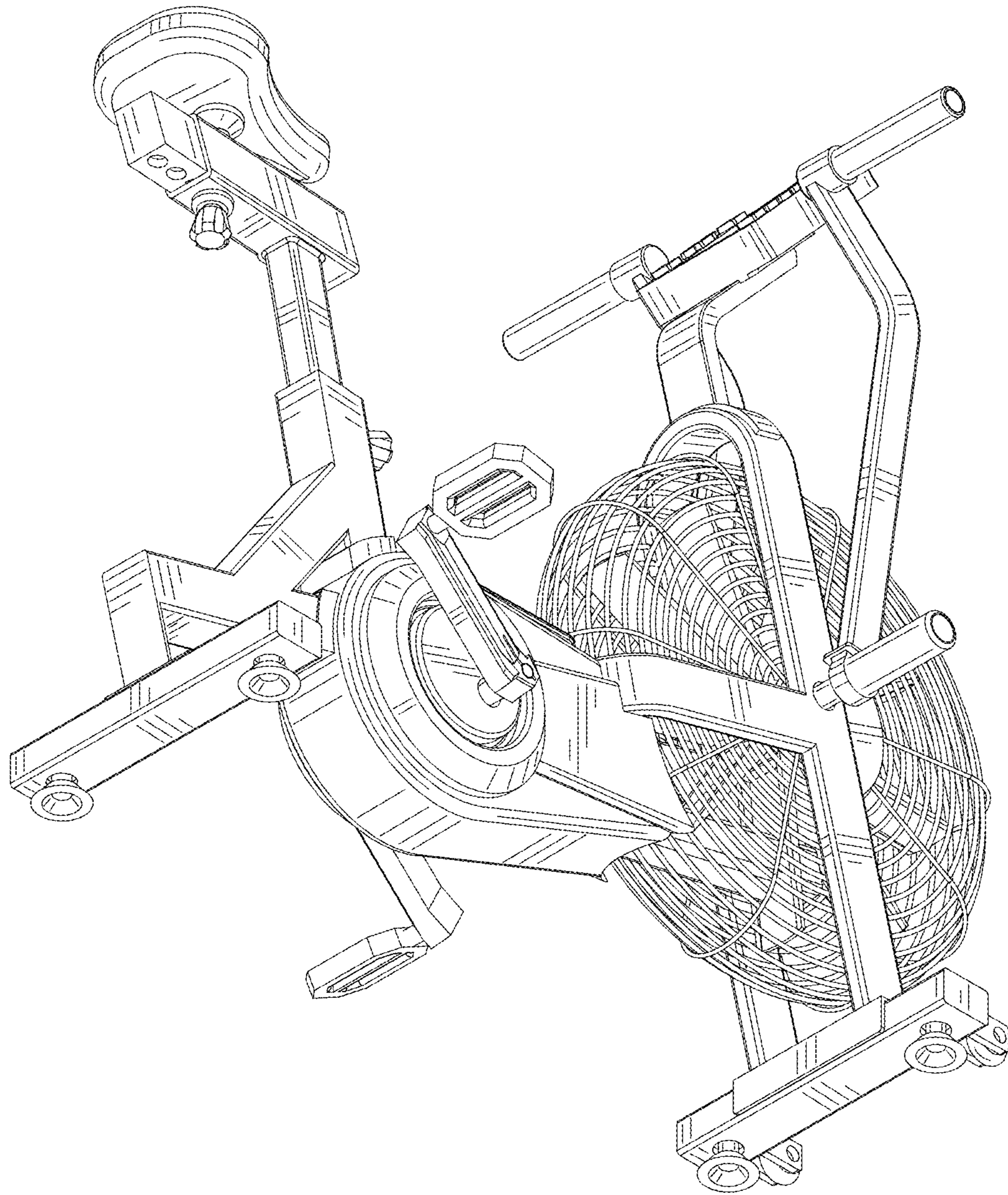


FIG. 3

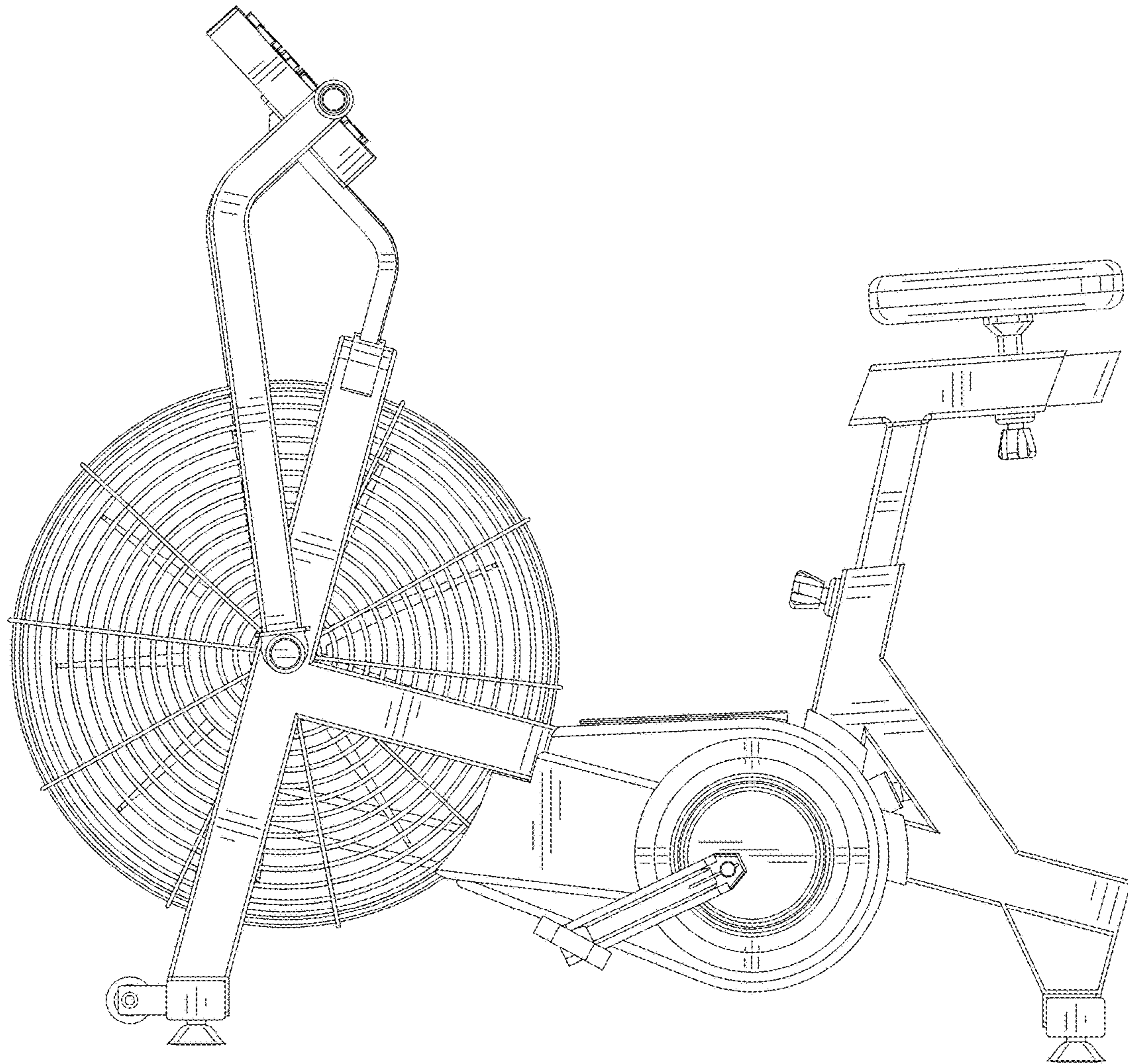


FIG. 4

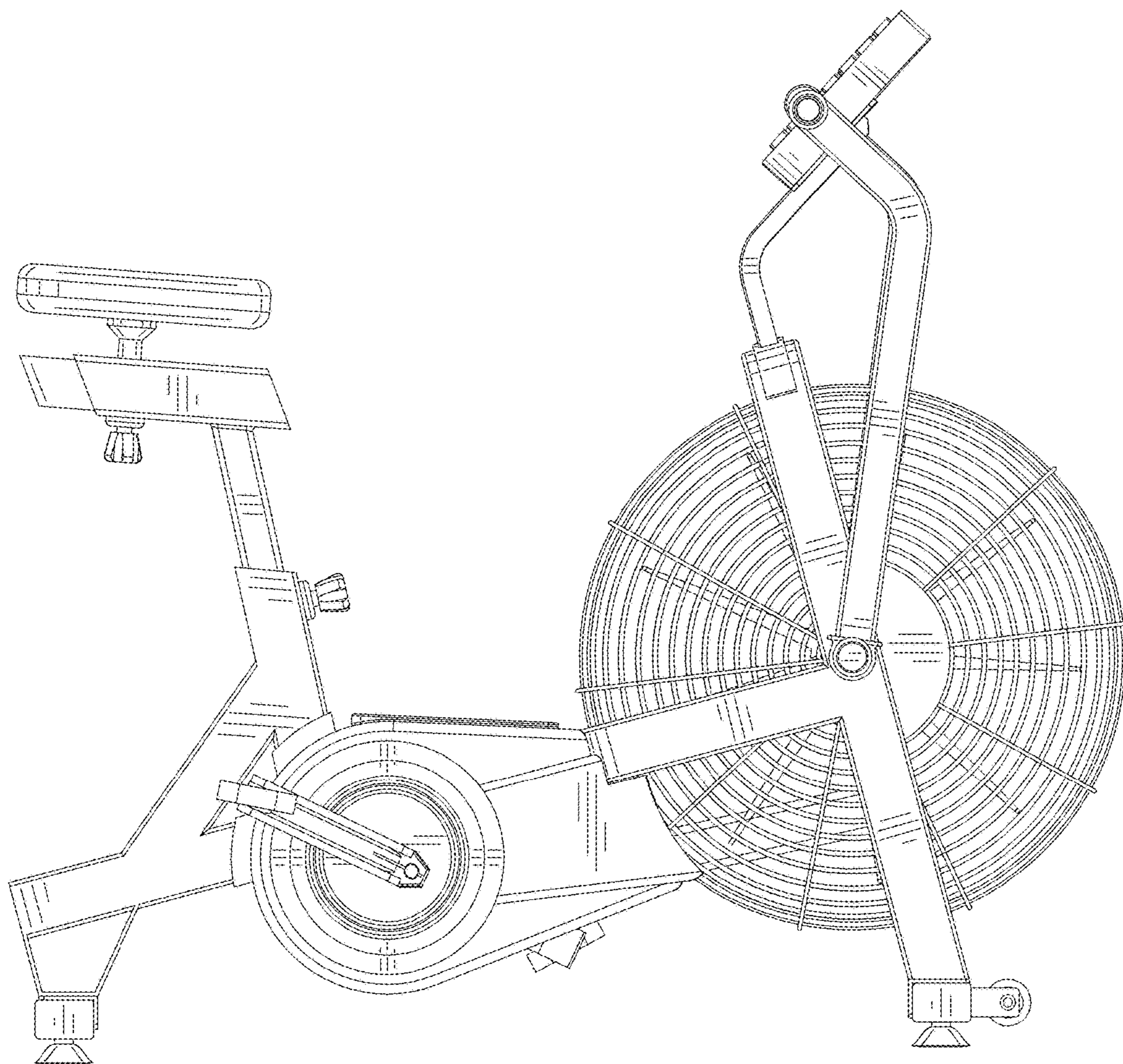


FIG. 5

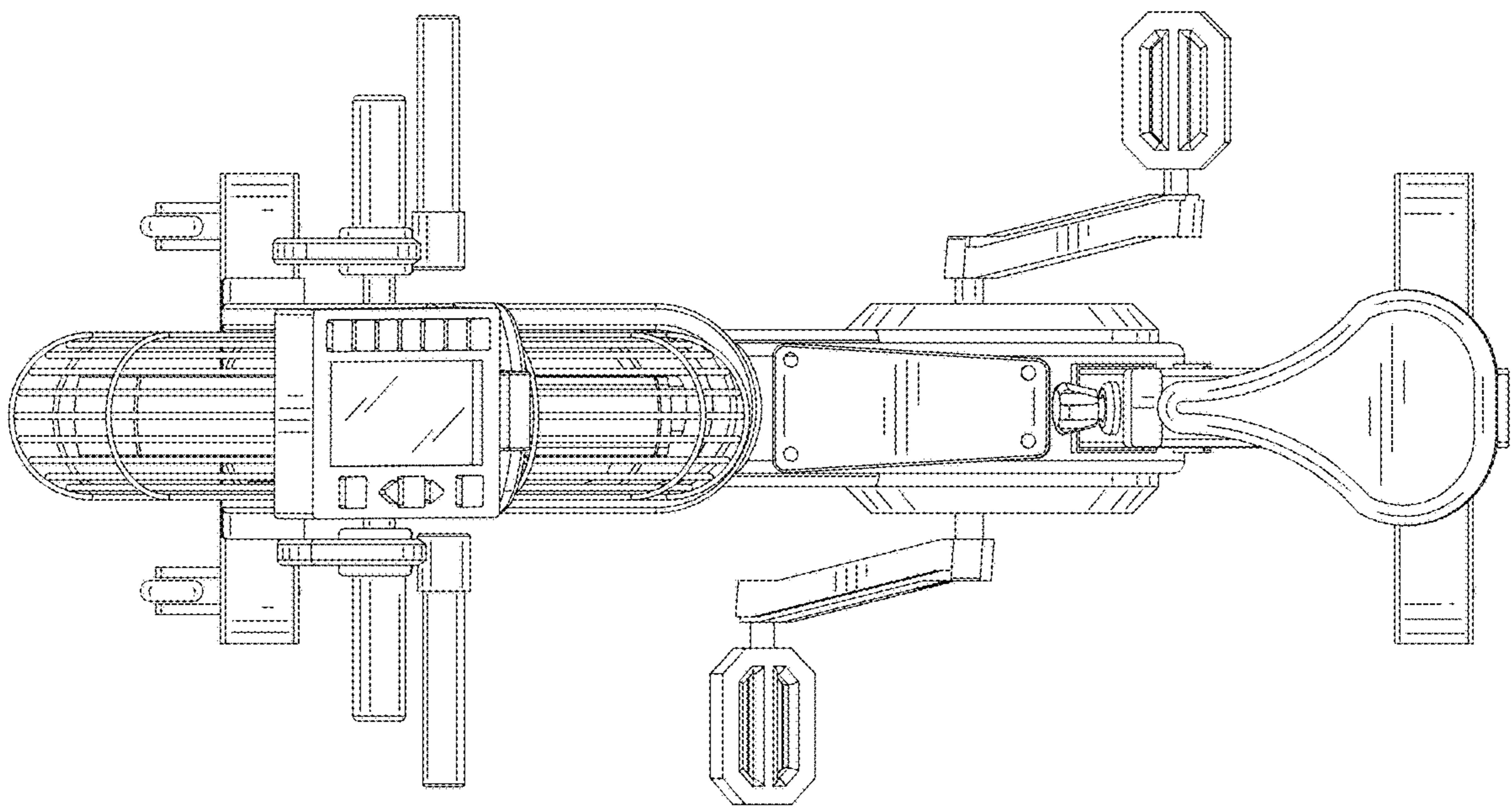


FIG. 6

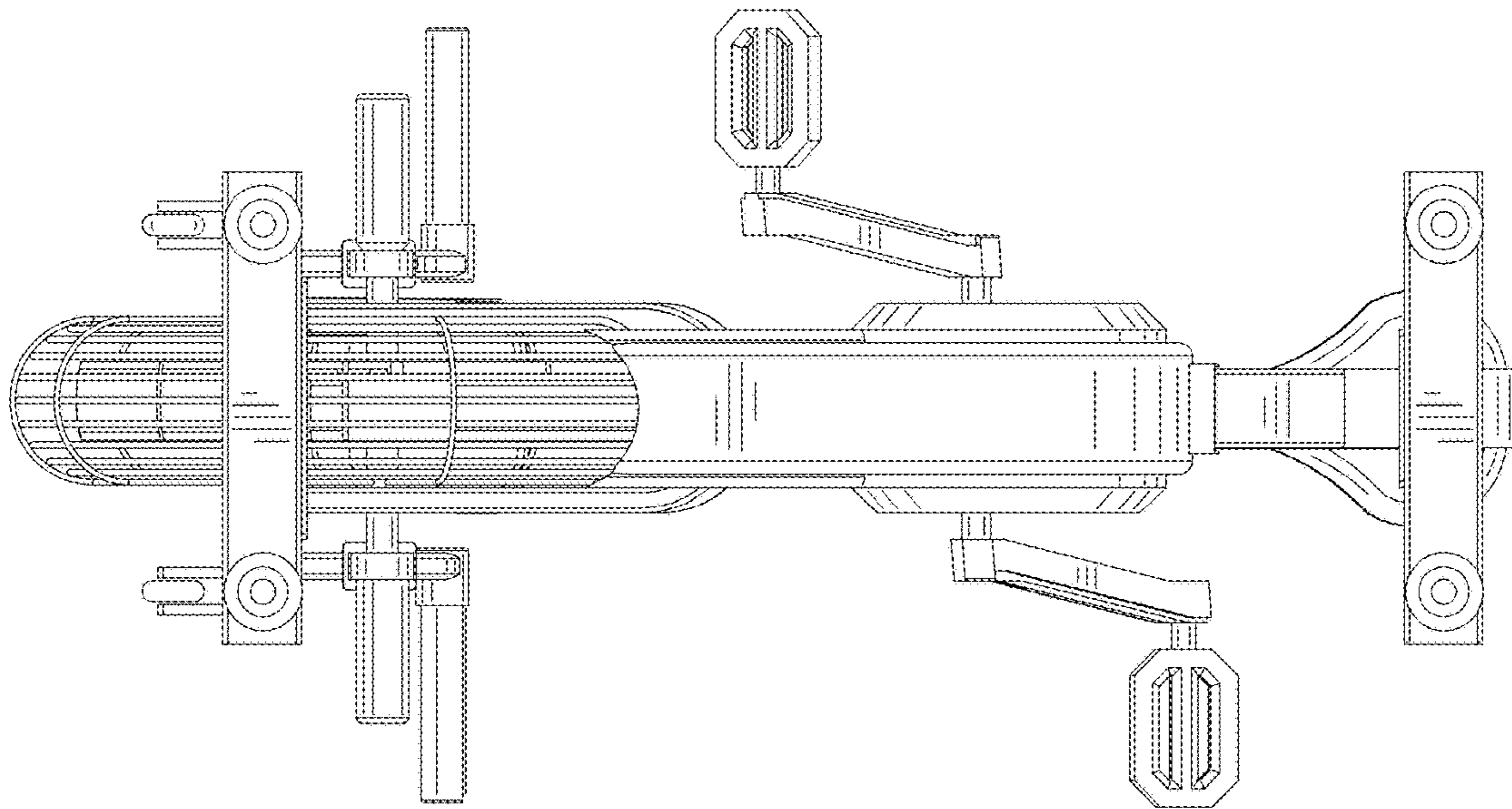


FIG. 7

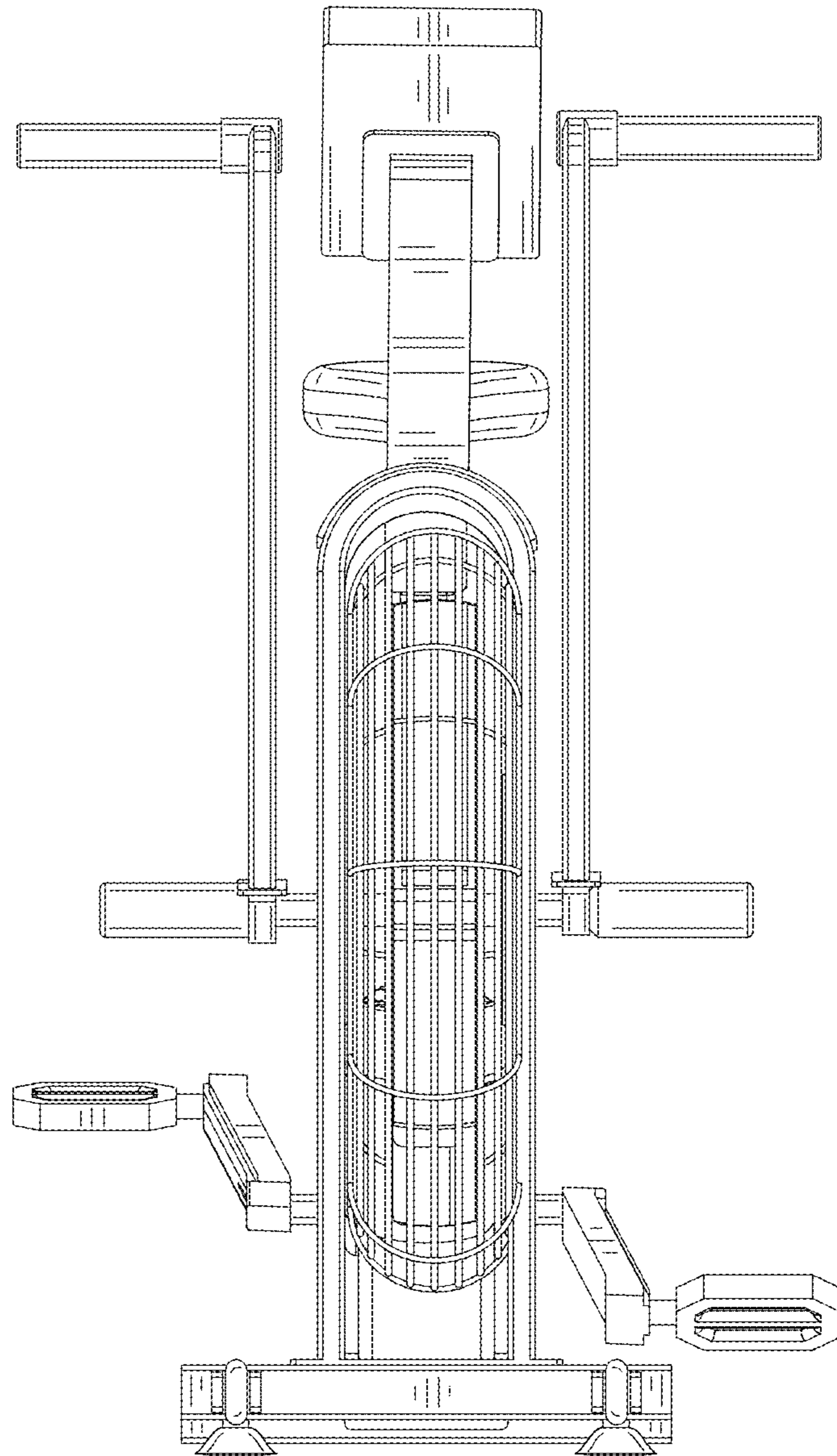


FIG. 8

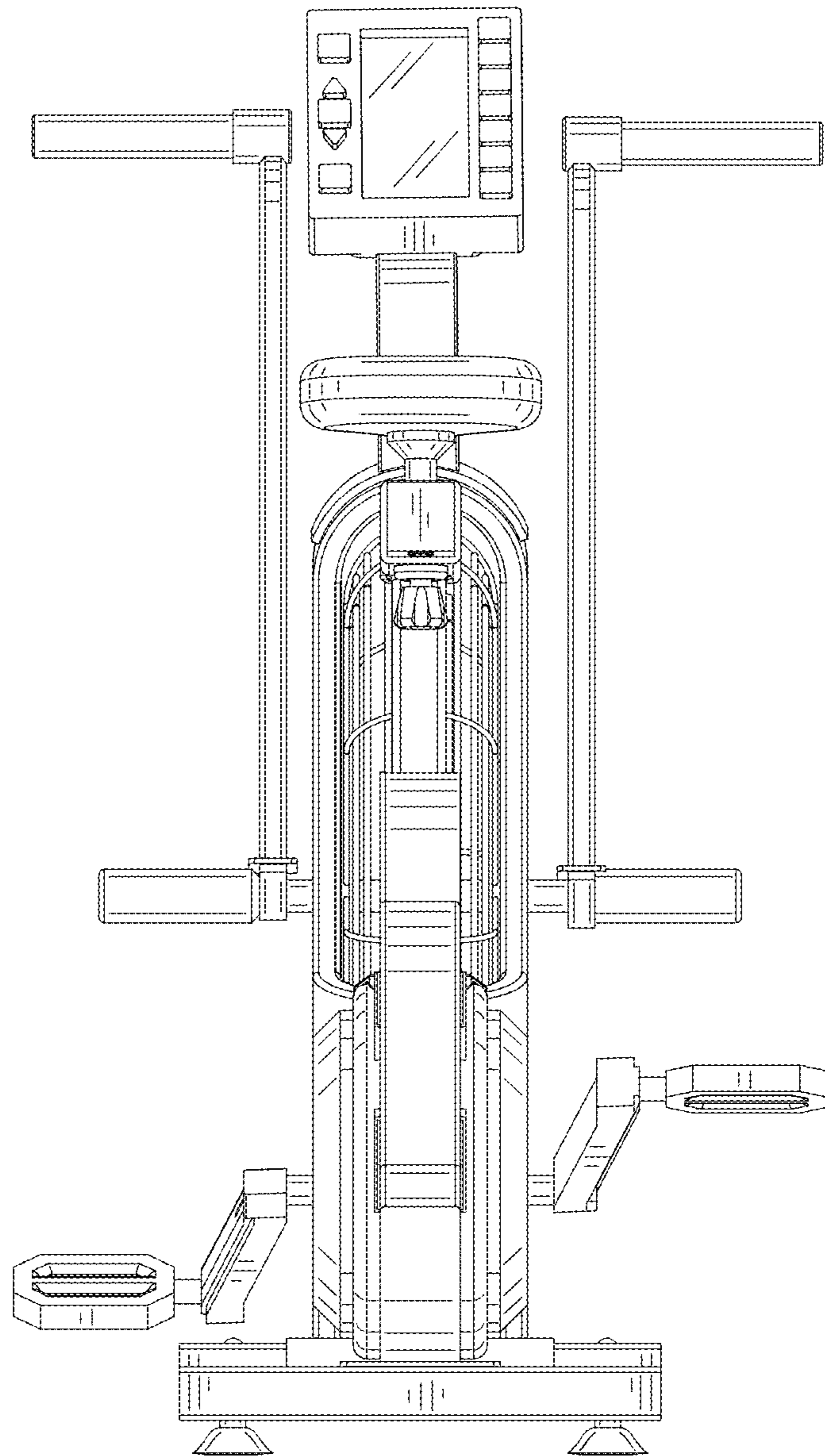


FIG. 9