



US00D856441S

(12) **United States Design Patent**  
**Baker**

(10) **Patent No.:** **US D856,441 S**

(45) **Date of Patent:** **\*\* Aug. 13, 2019**

(54) **PUPPET ABDOMEN**

(71) Applicant: **StickyBones LLC**, San Diego, CA (US)

(72) Inventor: **Erik J. Baker**, San Jose, CA (US)

(73) Assignee: **StickyBones Inc.**, San Jose, CA (US)

(\*\*) Term: **15 Years**

(21) Appl. No.: **29/664,617**

(22) Filed: **Sep. 26, 2018**

**Related U.S. Application Data**

(60) Continuation of application No. 15/848,845, filed on Dec. 20, 2017, which is a division of application No. 15/237,392, filed on Aug. 15, 2016.

(51) **LOC (12) Cl.** ..... **21-01**

(52) **U.S. Cl.**  
USPC ..... **D21/658; D21/587**

(58) **Field of Classification Search**  
USPC ..... D21/578, 579, 587, 588, 621, 658-661  
CPC ..... A63H 3/16; A63H 3/28; A63H 3/48  
See application file for complete search history.

(56) **References Cited**

**U.S. PATENT DOCUMENTS**

4,103,451 A \* 8/1978 Kawada ..... A63H 3/16  
446/121  
5,295,889 A \* 3/1994 Ejima ..... A63H 3/28  
446/130

D688,330 S \* 8/2013 Provencher ..... D21/621  
D688,333 S \* 8/2013 Stosiak ..... D21/621  
D688,336 S \* 8/2013 Provencher ..... D21/621  
D800,232 S \* 10/2017 Baker ..... A63H 3/48  
D21/587

\* cited by examiner

*Primary Examiner* — Zenia I Bennett

(74) *Attorney, Agent, or Firm* — Lowry Blixseth APC;  
Scott M. Lowry

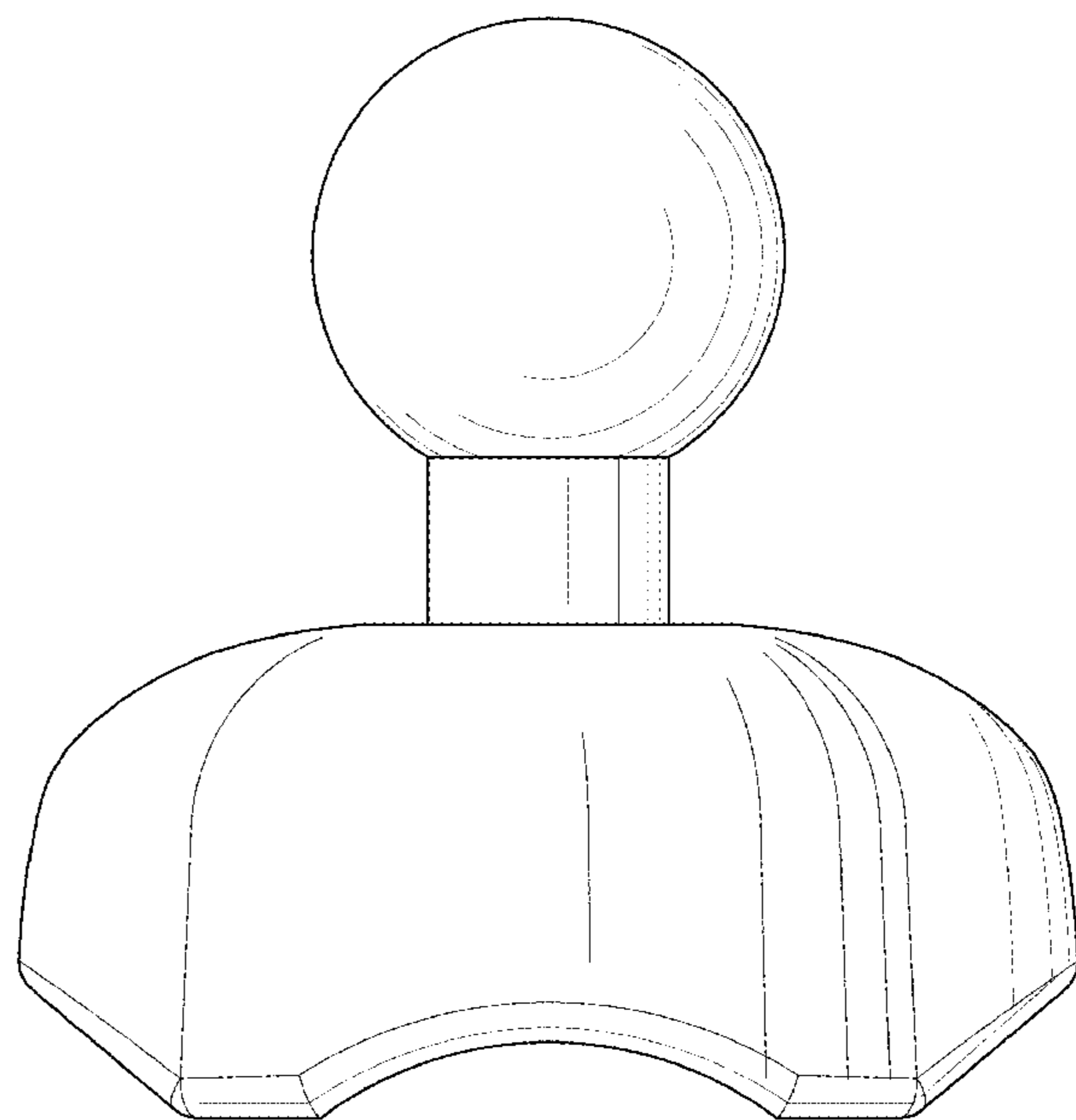
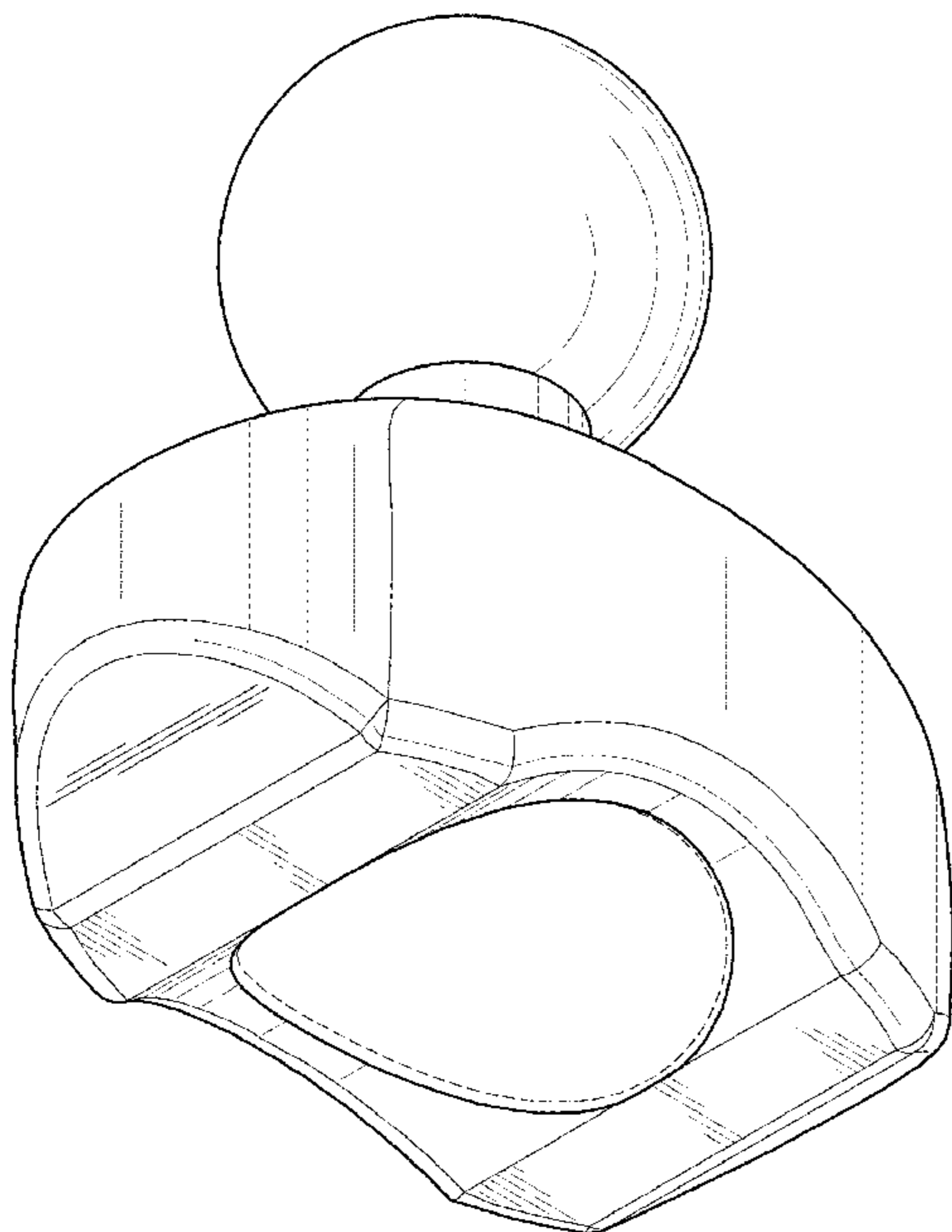
(57) **CLAIM**

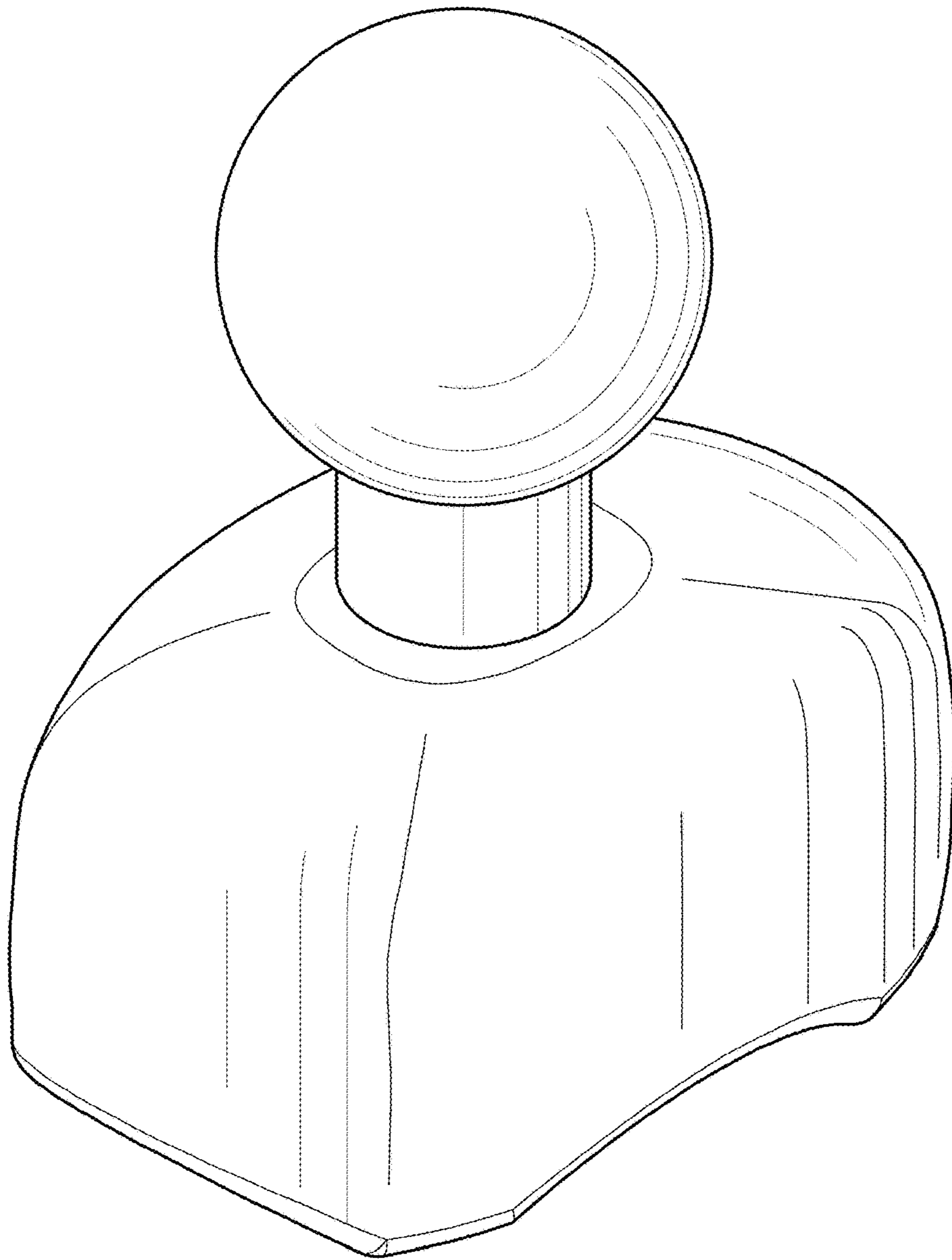
The ornamental design for a puppet abdomen, as shown and described.

**DESCRIPTION**

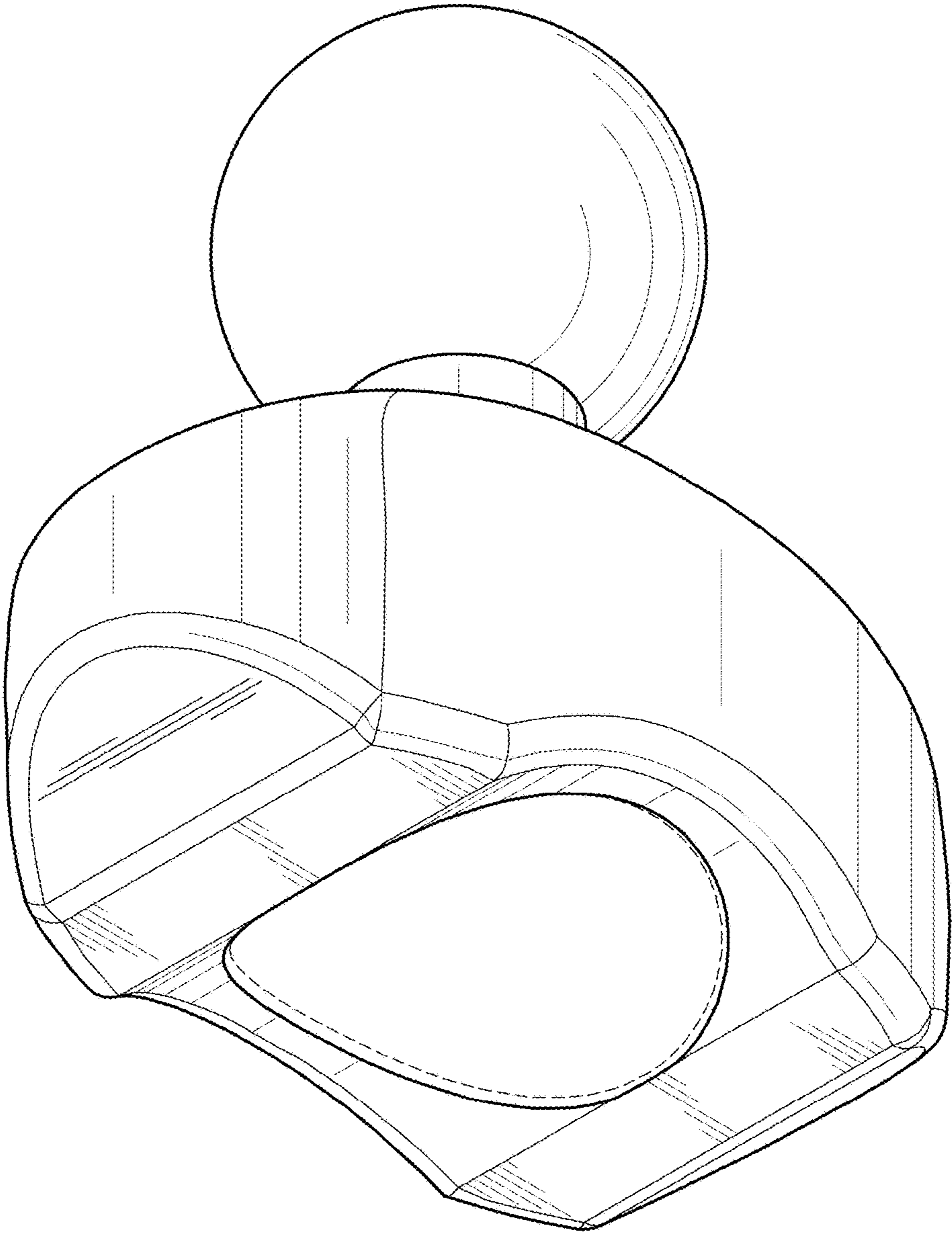
FIG. 1 is a perspective view showing the front, top and left sides of the puppet abdomen;  
FIG. 2 is a perspective view showing the front, bottom and left sides of the puppet abdomen;  
FIG. 3 is a front elevation view of the puppet abdomen;  
FIG. 4 is a left side elevation view of the puppet abdomen, the right side elevation view being a mirror image thereof;  
FIG. 5 is a top plan view of the puppet abdomen; and  
FIG. 6 is a bottom plan view of the puppet abdomen.  
The broken lines shown in the drawings represent portions of the puppet abdomen that form no part of the claimed design.

**1 Claim, 5 Drawing Sheets**

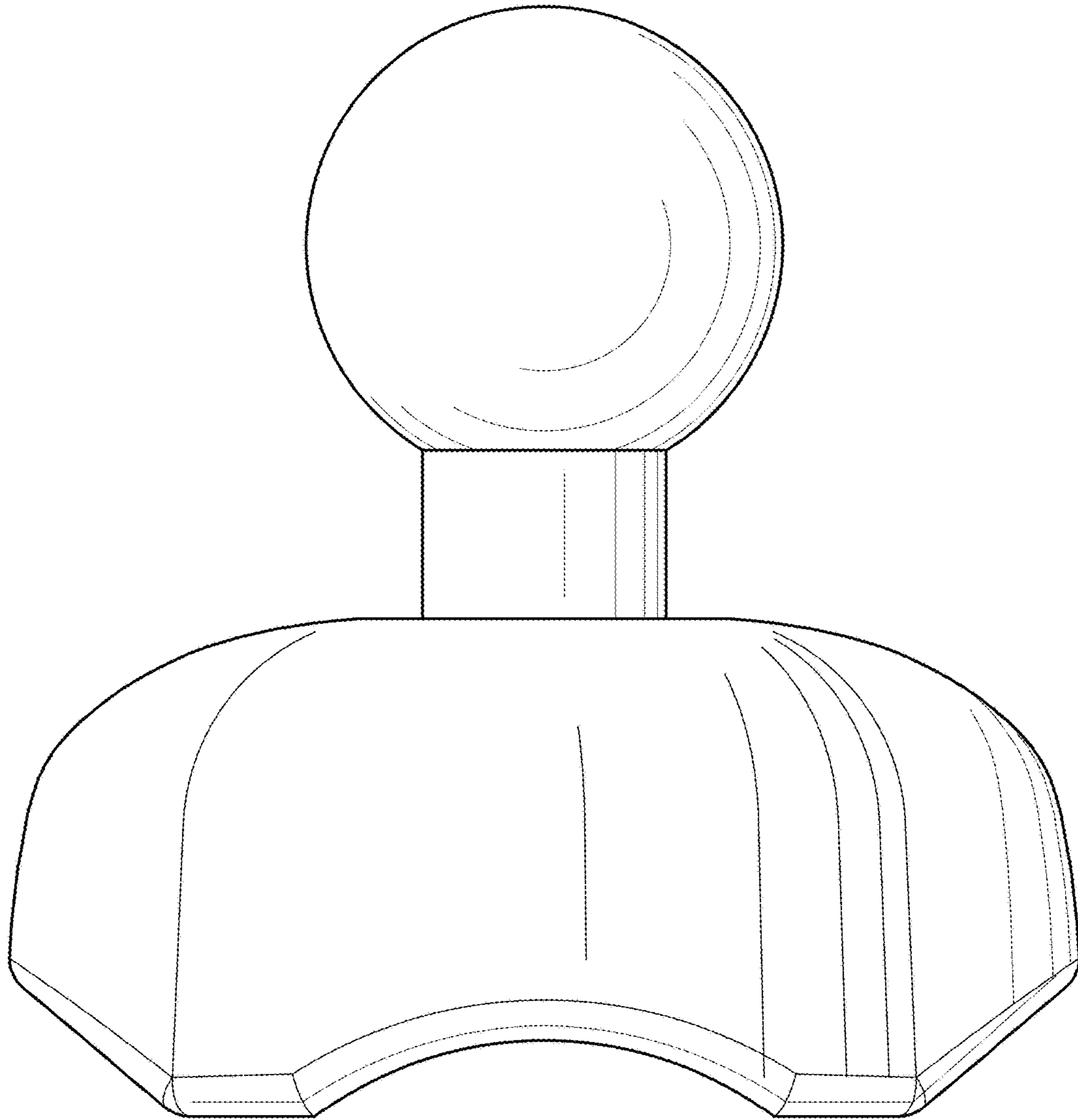




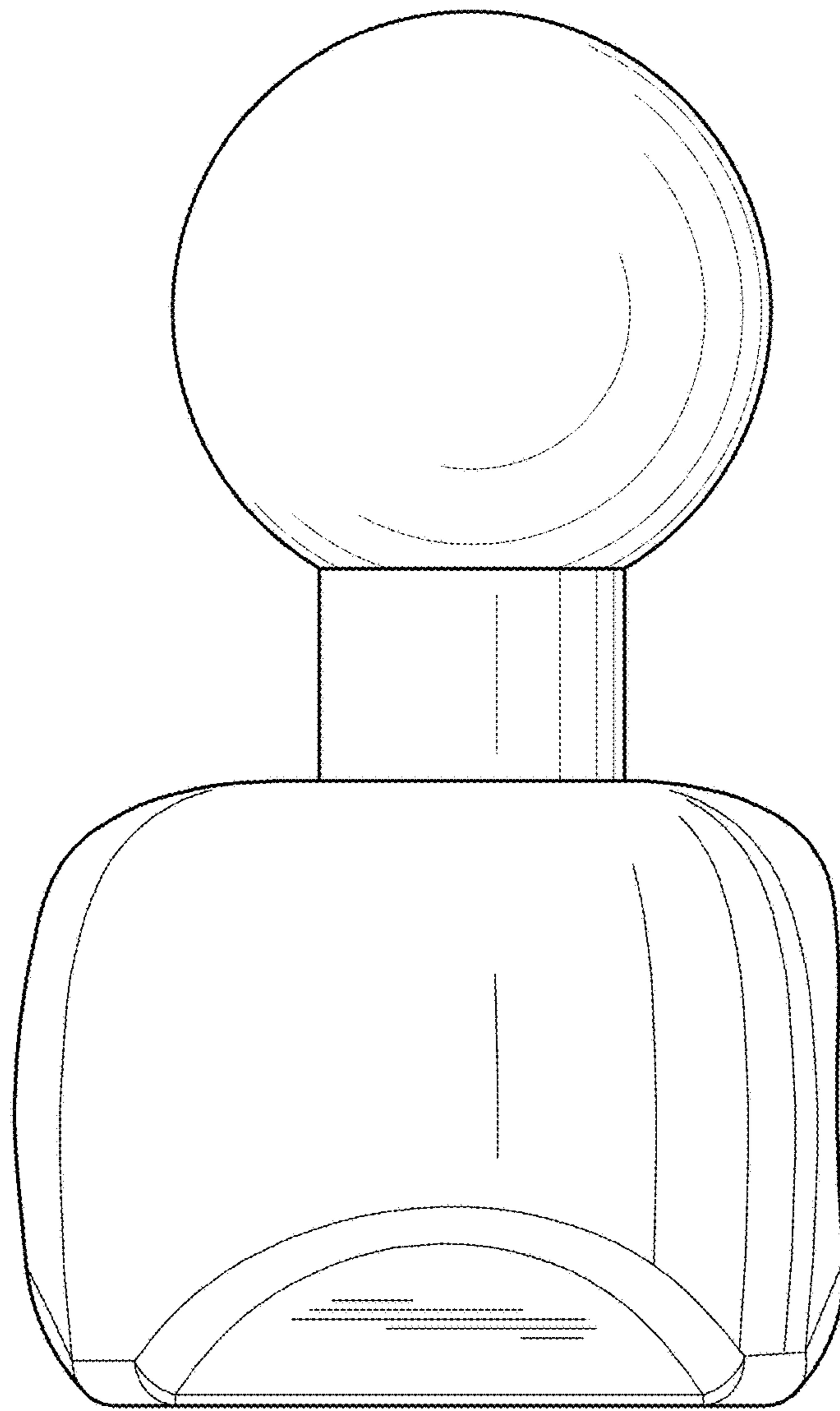
*FIG. 1*



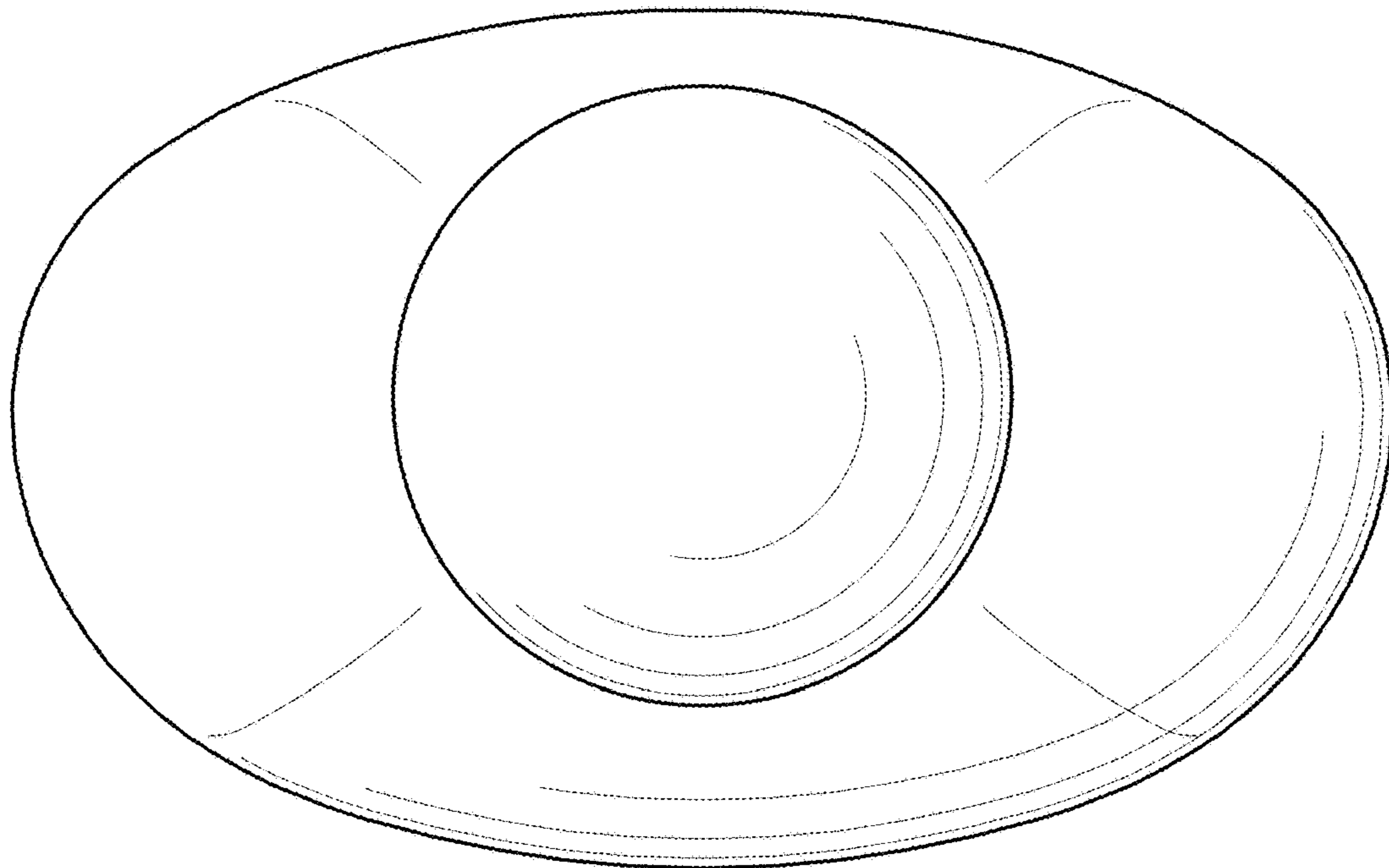
*FIG. 2*



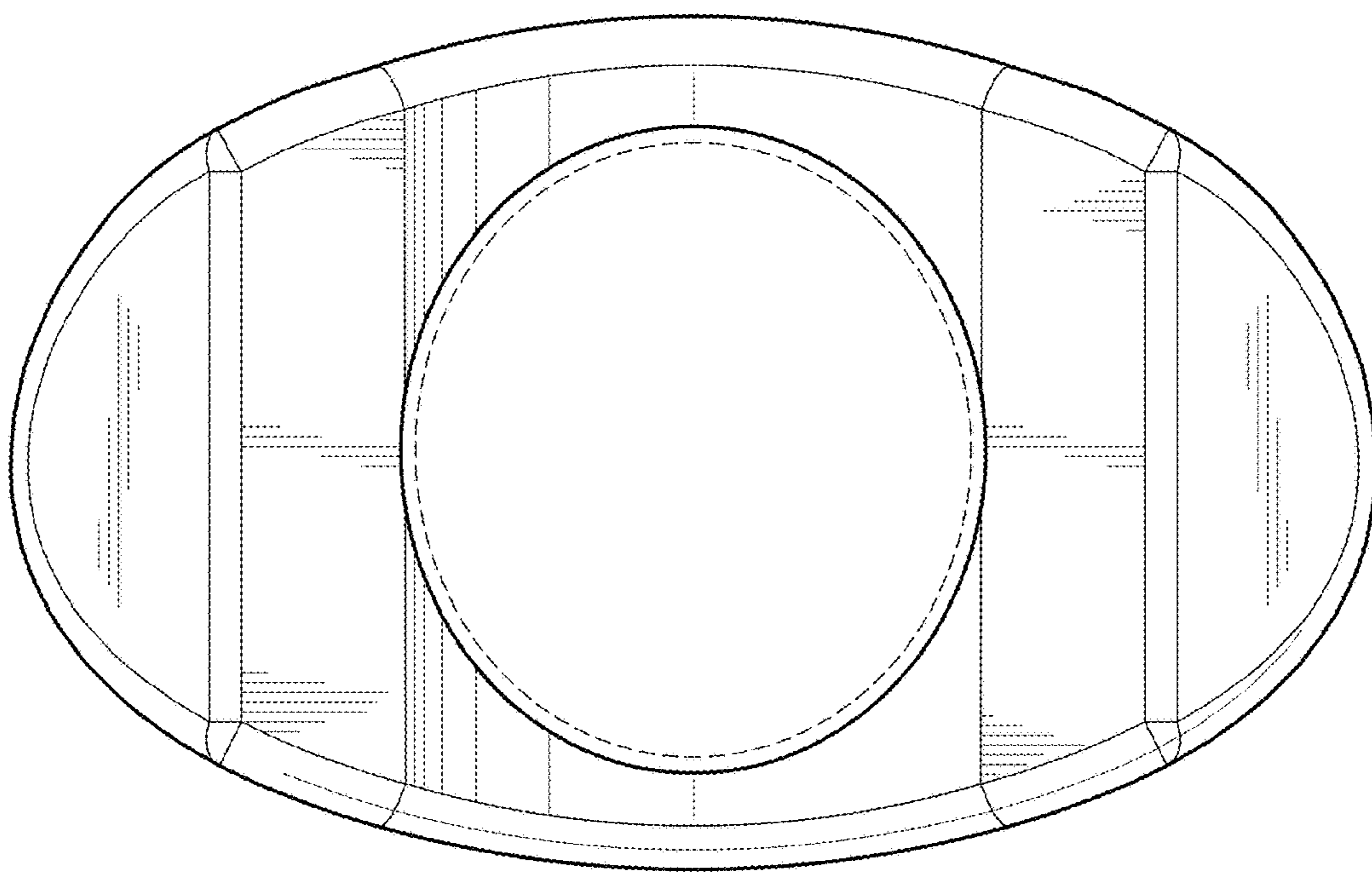
*FIG. 3*



*FIG. 4*



*FIG. 5*



*FIG. 6*