



US00D856427S

(12) **United States Design Patent**
Hong et al.

(10) **Patent No.:** **US D856,427 S**
(45) **Date of Patent:** **** Aug. 13, 2019**

(54) **DIGITAL SIGN**
(71) Applicant: **LG ELECTRONICS INC.**, Seoul (KR)
(72) Inventors: **Hyeyoung Hong**, Seoul (KR); **Hewon Kihl**, Seoul (KR); **Yongho Lee**, Seoul (KR)
(73) Assignee: **LG ELECTRONICS INC.**, Seoul (KR)
(**) Term: **15 Years**
(21) Appl. No.: **35/504,579**
(22) Filed: **Sep. 12, 2017**
(80) **Hague Agreement Data**
Int. Filing Date: **Sep. 12, 2017**
Int. Reg. No.: **DM/098698**
Int. Reg. Date: **Sep. 12, 2017**
Int. Reg. Pub. Date: **Mar. 16, 2018**

(30) **Foreign Application Priority Data**
Mar. 13, 2017 (KR) 30-2017-0011589
(51) **LOC (12) Cl.** **20-03**
(52) **U.S. Cl.**
USPC **D20/10**
(58) **Field of Classification Search**
USPC D20/10, 16, 17, 19; D11/131, 157
CPC ... G09F 7/00; G09F 7/06; G09F 13/00; G09F 13/02; G09F 13/04; G09F 15/00; G09F 15/0012
See application file for complete search history.

(56) **References Cited**
U.S. PATENT DOCUMENTS
D328,956 S * 8/1992 Leonard D11/131
D357,944 S * 5/1995 Atwell D20/10

D369,572 S * 5/1996 Buck H01Q 1/44
D11/131
D412,233 S * 7/1999 Cajacob D14/900
D450,260 S * 11/2001 Lee D11/131
D520,907 S * 5/2006 Dahl D11/131
8,190,210 B2 * 5/2012 Vicente H01Q 1/44
343/890
D734,201 S * 7/2015 Eickhof D11/131

OTHER PUBLICATIONS

Photo image from Wikipedia.org: National Road Mile Markers in West Virginia. Undated; one page. Found online Nov. 29, 2018 at https://en.wikipedia.org/wiki/National_Road#/media/File:National_Road_Mile_Markers_Numbers_8_9_10_11_13_14.jpg.
Egyptianpseudoscience.weebly.com: Obelisks—Bad Egyptology: Obelisks in Egypt. Undated; 3 pages. Found online Nov. 29, 2018 at <https://egyptianpseudoscience.weebly.com/obelisks.html>.
25 in. Table Top Obelisk Decorative Sculpture in Nickel Plate. Undated; 3 pages. Found online Nov. 29, 2018 at <https://www.homedepot.com/p/Titan-Lighting-25-in-Table-Top-Obelisk-Decorative-Sculpture-in-Nickel-Plate-TN-891838/300767739>.

* cited by examiner

Primary Examiner — Robert M. Spear
(74) *Attorney, Agent, or Firm* — Birch, Stewart, Kolasch & Birch, LLP

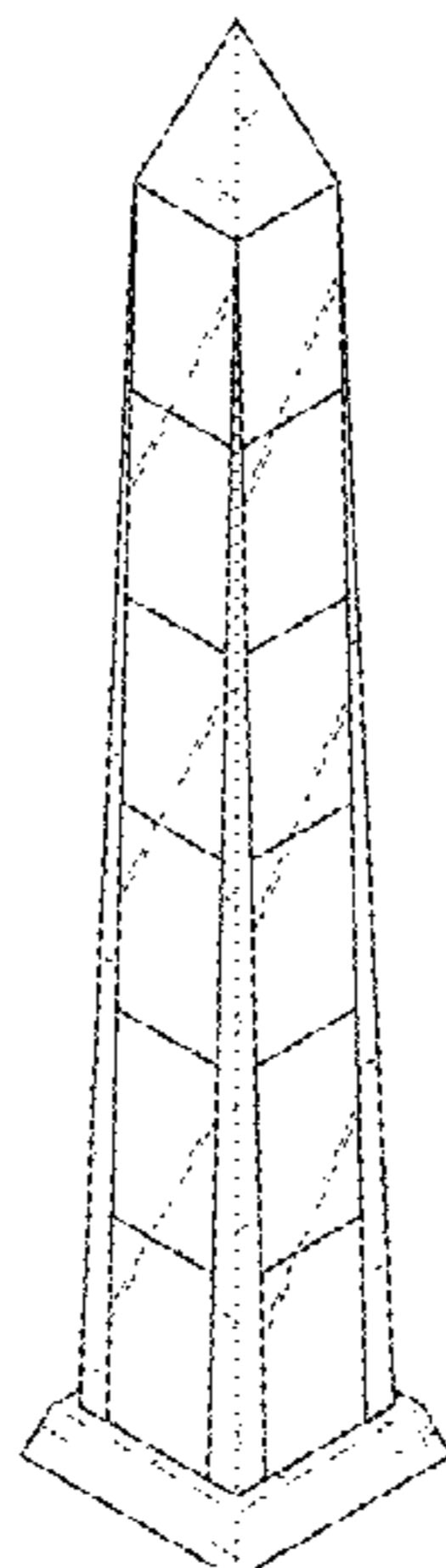
(57) **CLAIM**

The ornamental design for a digital sign, as shown and described.

DESCRIPTION

1. Digital sign
1.1 : Perspective
1.2 : Front
1.3 : Left
1.4 : Top
1.5 : Bottom
Reproduction 1.1 is a front perspective view of the digital sign; reproduction 1.2 is a front view thereof where the back view is a mirror image; reproduction 1.3 is a left view

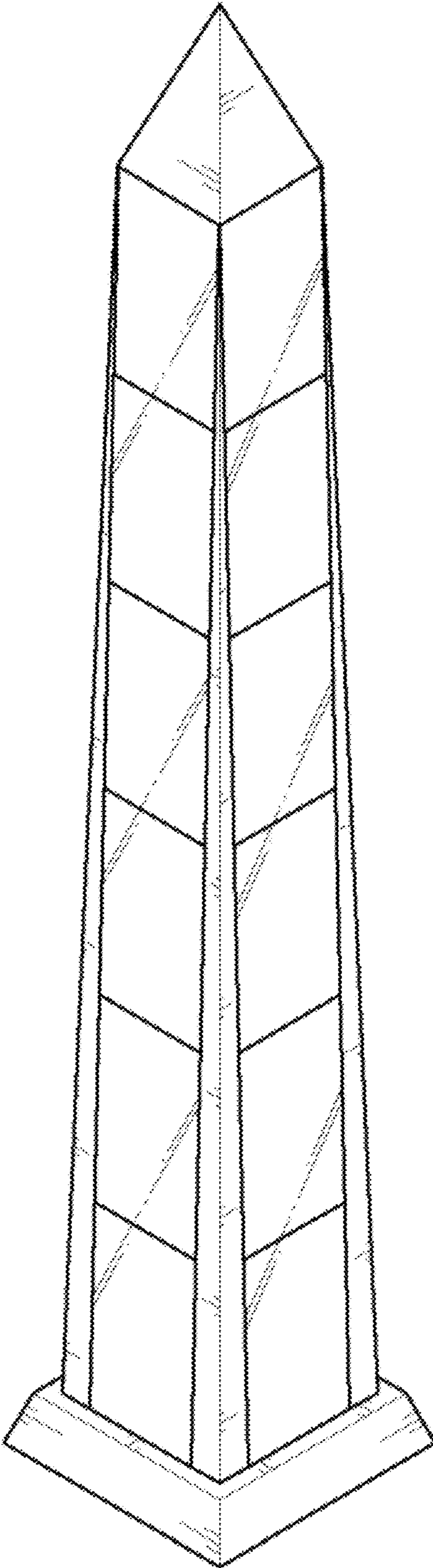
(Continued)



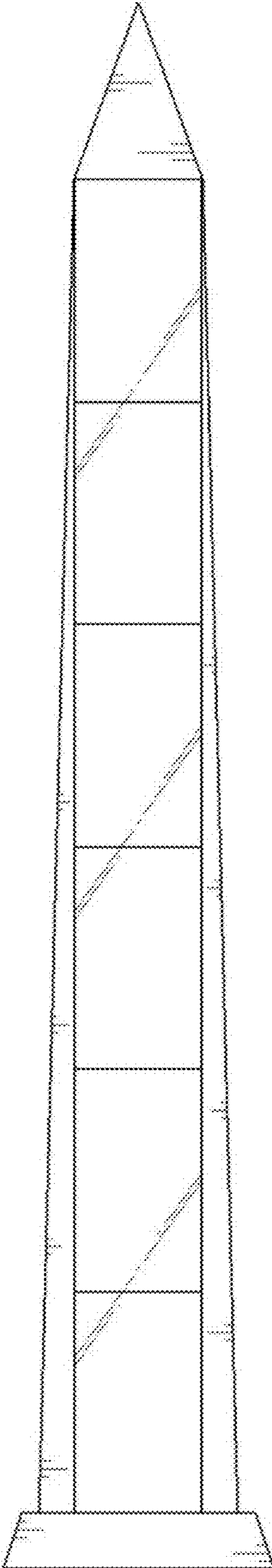
thereof where the right view is a mirror image; reproduction 1.4 is a top view thereof; and reproduction 1.5 is a bottom view thereof.

1 Claim, 5 Drawing Sheets

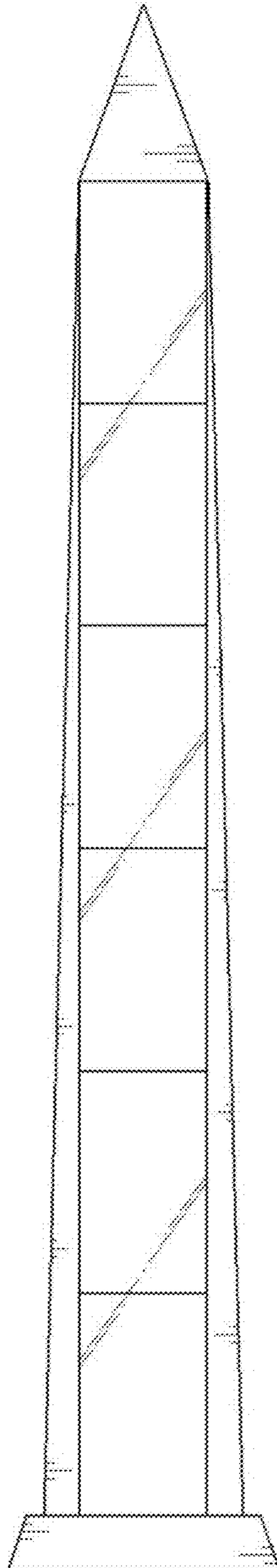
1.1



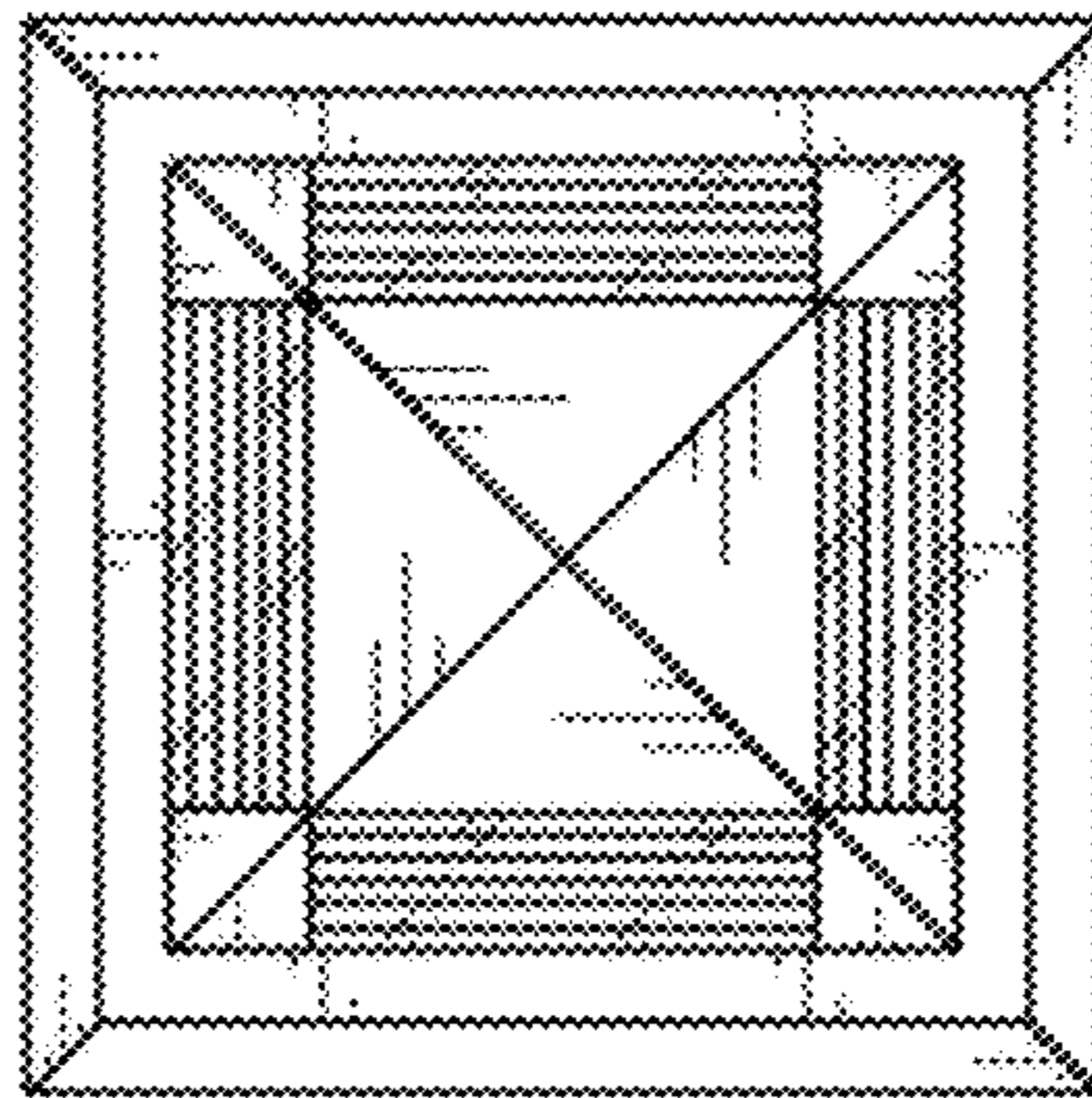
1.2



1.3



1.4



1.5

