



US00D856424S

(12) **United States Design Patent**
Casciotti et al.

(10) **Patent No.:** **US D856,424 S**

(45) **Date of Patent:** **** Aug. 13, 2019**

(54) **WRITING INSTRUMENT**

(71) Applicant: **Amsterdam Printing & Litho, Inc.**,
North Mankato, MN (US)

(72) Inventors: **David M. Casciotti**, Amsterdam, NY
(US); **Jing P. Mahler**, Glenville, NY
(US); **Darren Costelloe**, Albany, NY
(US)

(73) Assignee: **Amsterdam Printing & Litho, Inc.**,
North Mankato, MN (US)

(**) Term: **15 Years**

(21) Appl. No.: **29/634,862**

(22) Filed: **Jan. 25, 2018**

(51) **LOC (12) Cl.** **19-02**

(52) **U.S. Cl.**
USPC **D19/200**

(58) **Field of Classification Search**
USPC D19/115-204; D14/411
CPC . B43K 5/005; B43K 7/12; B43K 8/04; B43K
8/06; B43K 19/00; B43K 19/02; B43K
19/14; B43K 21/006; B43K 21/06
See application file for complete search history.

(56) **References Cited**

U.S. PATENT DOCUMENTS

D152,206 S *	12/1948	Most	D19/200
D181,883 S *	1/1958	Sherman	D19/170
D182,207 S *	2/1958	Sherman	D19/170
D482,070 S *	11/2003	Kennedy	D19/201
D482,724 S *	11/2003	Nishida	D19/166
D491,224 S *	6/2004	Hsieh	D19/174
D499,762 S *	12/2004	Shova	D19/166
D501,512 S *	2/2005	Shova	D19/195
D532,454 S *	11/2006	Togawa	D19/168
D540,384 S *	4/2007	Qiu	D19/166

D563,471 S *	3/2008	Qiu	D19/167
D577,070 S *	9/2008	Qiu	D19/168
D609,746 S *	2/2010	Ma	D19/167
D622,771 S *	8/2010	Casciotti	D19/199
D626,593 S *	11/2010	Casciotti	D19/199
D626,595 S *	11/2010	Casciotti	D19/199
D663,773 S *	7/2012	Casciotti	D19/199
D667,056 S *	9/2012	Casciotti	D19/199
D695,827 S *	12/2013	Xie	D19/168
8,851,774 B2 *	10/2014	Rolion	B43K 7/00 401/117
D721,762 S *	1/2015	Casciotti	D19/199
D726,825 S *	4/2015	Casciotti	D19/171
D782,578 S *	3/2017	Casciotti	D19/199
D811,401 S *	2/2018	Lehman	D14/411
D811,402 S *	2/2018	Nishizawa	D14/411

* cited by examiner

Primary Examiner — Elizabeth A. Albert

(74) *Attorney, Agent, or Firm* — Dicke, Billig & Czaja,
PLLC

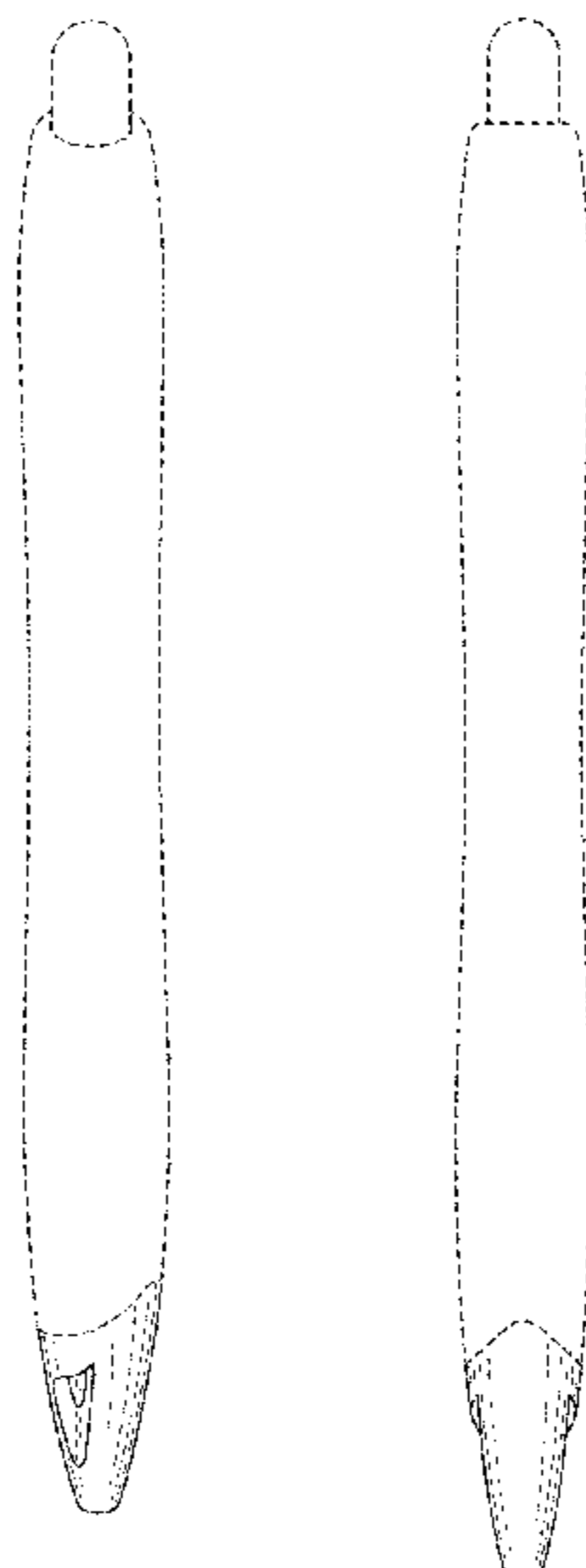
(57) **CLAIM**

We claim the ornamental design for a writing instrument, as shown and described.

DESCRIPTION

FIG. 1 is an isometric view of a writing instrument showing our new design;
FIG. 2 is a front view of FIG. 1;
FIG. 3 is a back view of FIG. 1;
FIG. 4 is a right side view of FIG. 1, the left side view being a mirror image of FIG. 4;
FIG. 5 is an enlarged top view of FIG. 1;
FIG. 6 is an enlarged bottom view of FIG. 1; and,
FIG. 7 is an enlarged view of FIG. 4.
The broken lines in the drawings of FIGS. 1-7 are included for the purpose of showing portions that form no part of the claimed design.

1 Claim, 7 Drawing Sheets



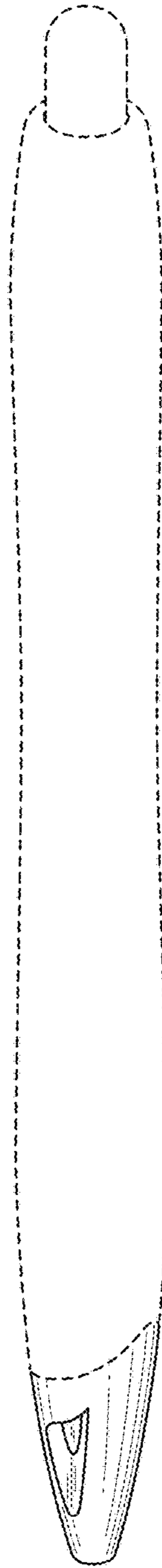


Fig. 1

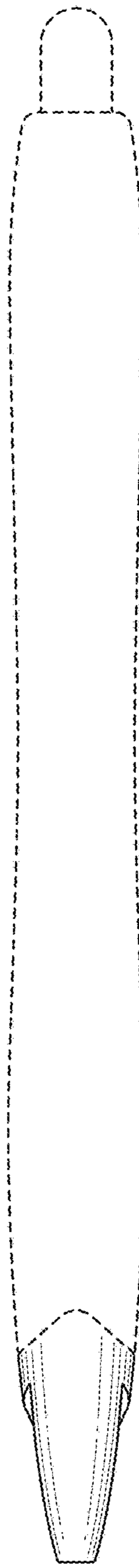


Fig. 2



Fig. 3



Fig. 4

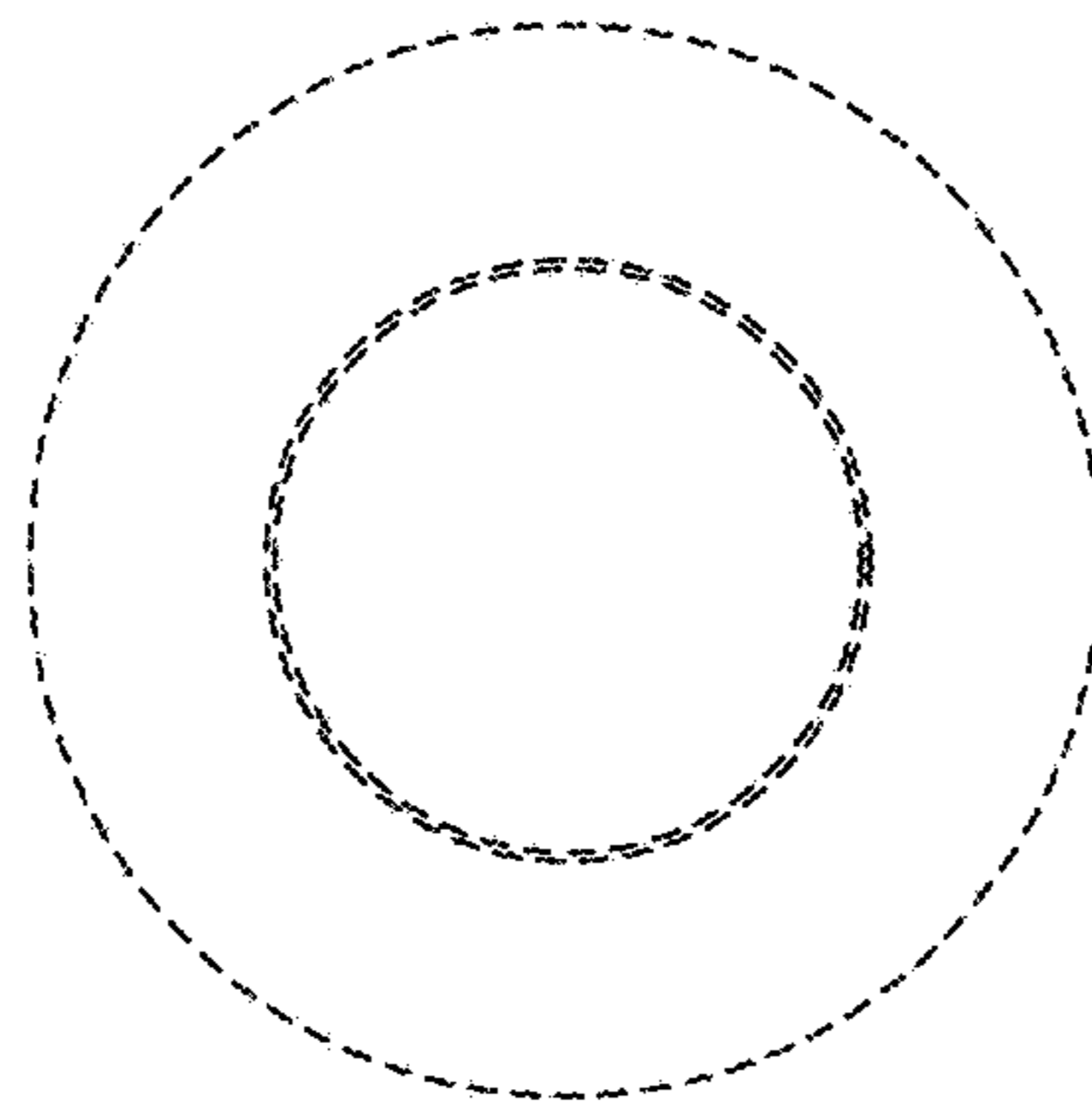


Fig. 5

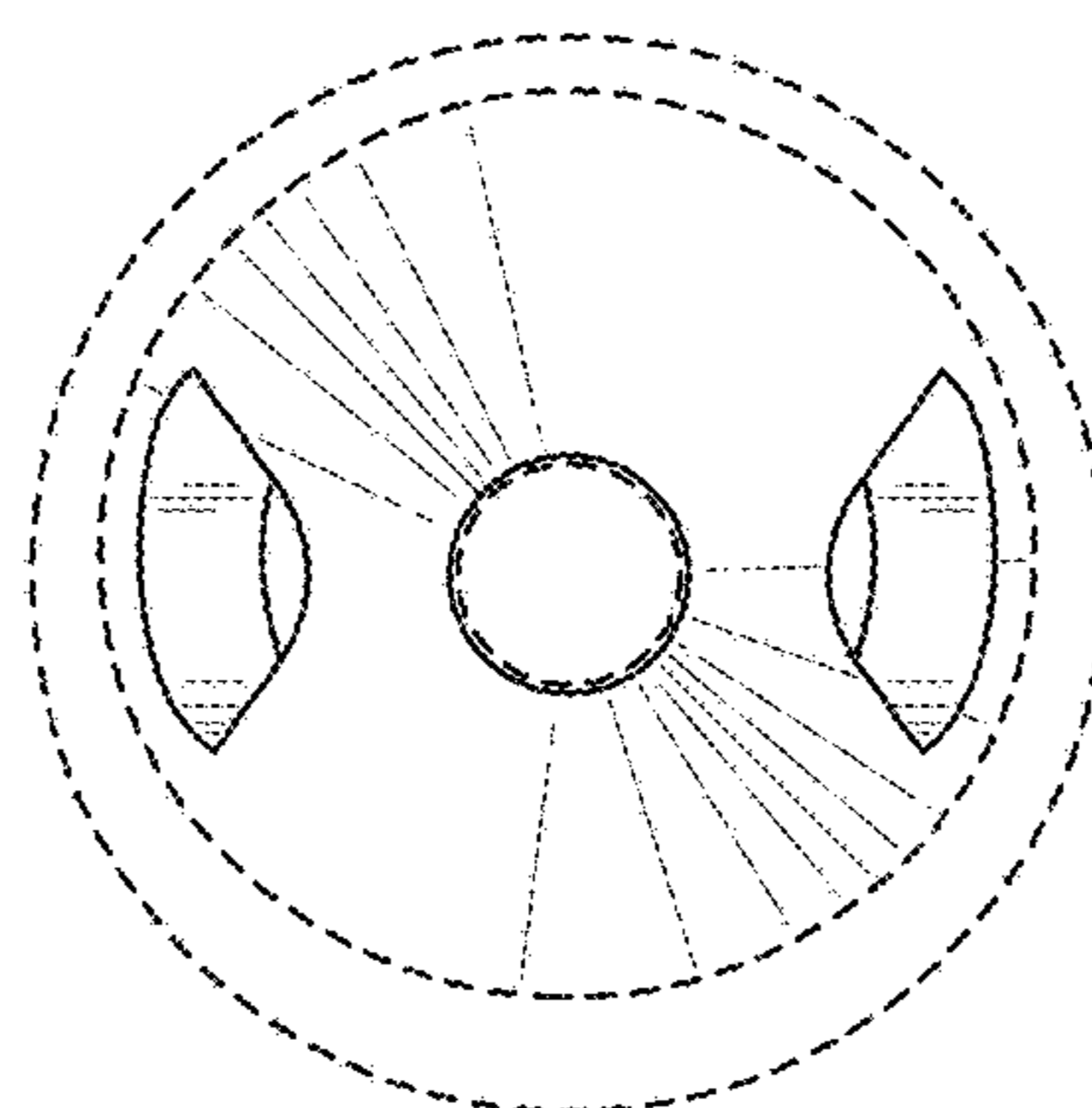


Fig. 6

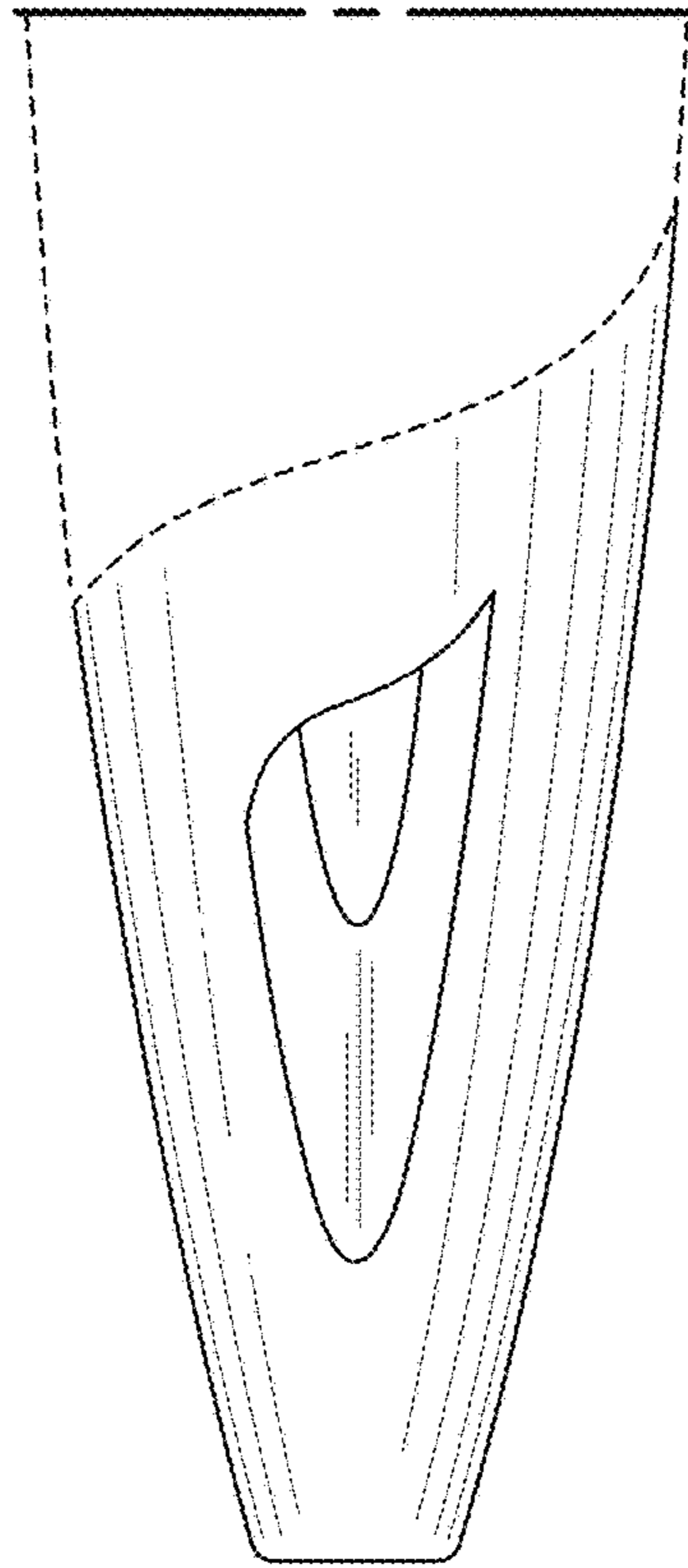


Fig. 7