



US00D856422S

(12) **United States Design Patent**
Stabile et al.

(10) **Patent No.:** **US D856,422 S**

(45) **Date of Patent:** **** Aug. 13, 2019**

- (54) **PEN**
- (71) Applicant: **Moleskine S.r.l.**, Milan (MI) (IT)
- (72) Inventors: **Alessandro Stabile**, Milan (IT); **Mario Scairato**, Capaccio Scalo (IT)
- (73) Assignee: **MOLESKINE S.R.L.**, Milan (MI) (IT)
- (**) Term: **15 Years**

D489,090 S *	4/2004	Buechler	D19/174
D580,597 S *	11/2008	Mascotte	D28/76
D605,695 S *	12/2009	Leibeck	D19/169
D611,095 S *	3/2010	Liu	D19/169
D611,097 S *	3/2010	Liu	D19/169
D617,796 S *	6/2010	Ando	D14/411
D622,770 S *	8/2010	Shi	D19/164
D669,537 S *	10/2012	Iacchetti	D19/195
D669,935 S *	10/2012	Iacchetti	D19/169
D681,038 S *	4/2013	Tomohiro	D14/411
D775,279 S *	12/2016	Shen	D19/117
2005/0024346 A1 *	2/2005	Dupraz	G06F 3/03545 345/179

- (21) Appl. No.: **29/614,694**
- (22) Filed: **Aug. 22, 2017**
- (30) **Foreign Application Priority Data**
- Jul. 10, 2017 (EM) 4095750
- (51) **LOC (12) Cl.** **19-06**
- (52) **U.S. Cl.**
- USPC **D19/169**; D19/929
- (58) **Field of Classification Search**
- USPC D14/411; D19/115–204
- CPC . B43K 5/005; B43K 7/12; B43K 8/04; B43K 8/06; B43K 19/00; B43K 19/02; B43K 19/14; B43K 21/006; B43K 21/06
- See application file for complete search history.

* cited by examiner

Primary Examiner — Elizabeth A. Albert

(74) *Attorney, Agent, or Firm* — Lucas & Mercanti, LLP

(57) **CLAIM**

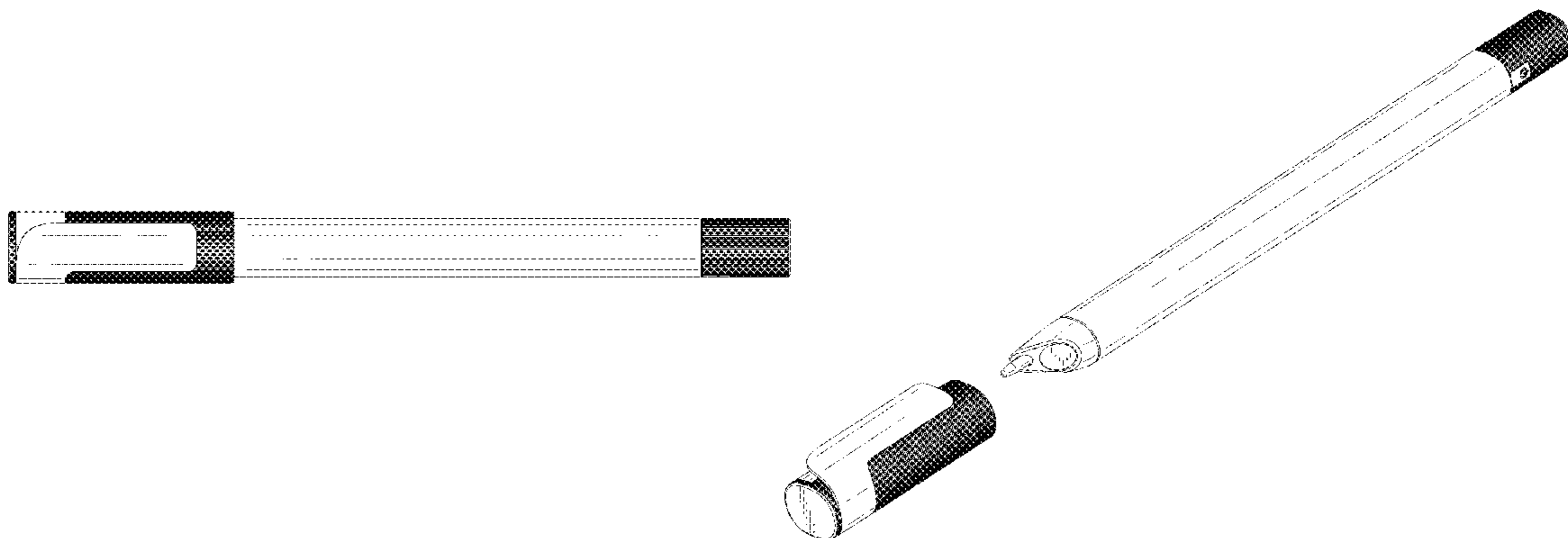
The ornamental design for a pen, as shown and described.

DESCRIPTION

FIG. 1. is a first perspective view of the pen with the cap in the closed position;
 FIG. 2 is a second perspective view of the pen with the cap in the closed position;
 FIG. 3 is top view thereof;
 FIG. 4 is a bottom view thereof;
 FIG. 5 is a first side view thereof;
 FIG. 6 is a second side view thereof;
 FIG. 7 is a top view thereof;
 FIG. 8 is a bottom view thereof;
 FIG. 9 is a perspective view thereof with the cap in the open position; and,
 FIG. 10 is a second perspective view thereof with the cap in the open position.
 The broken lines are included to show portions of the pen that form no part of the claimed design.

1 Claim, 7 Drawing Sheets

- (56) **References Cited**
- U.S. PATENT DOCUMENTS
- D65,636 S * 9/1924 Corona D19/163
- D139,903 S * 1/1945 Baff D19/169
- D267,887 S * 2/1983 Rigoni D19/169
- D289,425 S * 4/1987 Thevenot D19/168
- D303,020 S * 8/1989 Reichmann D28/5
- D306,494 S * 3/1990 Bajusz D28/7
- D335,141 S * 4/1993 Katami D19/195
- D376,817 S * 12/1996 Boix Gacia D19/170
- D486,270 S * 2/2004 Kurumada D28/76



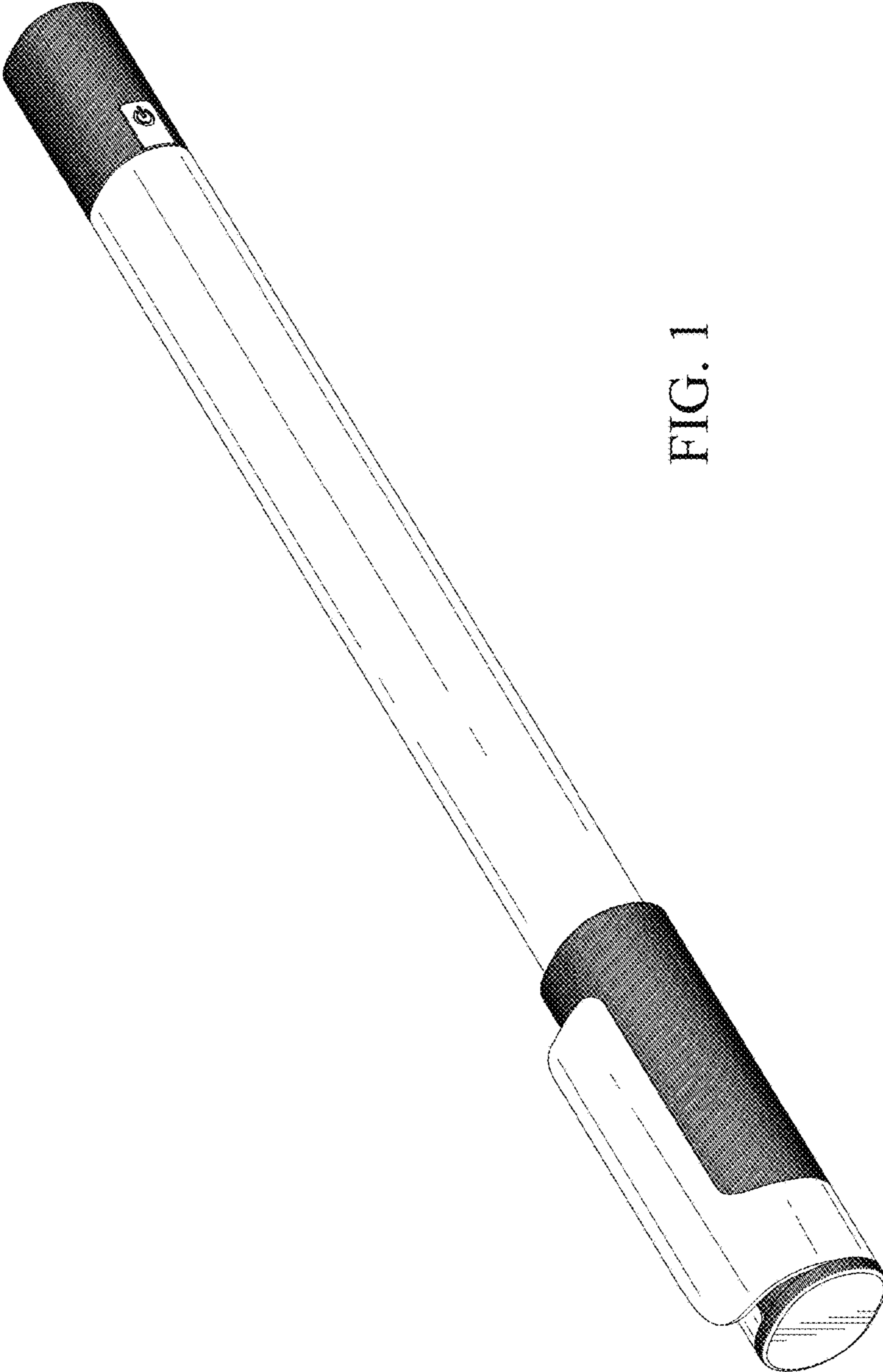


FIG. 1

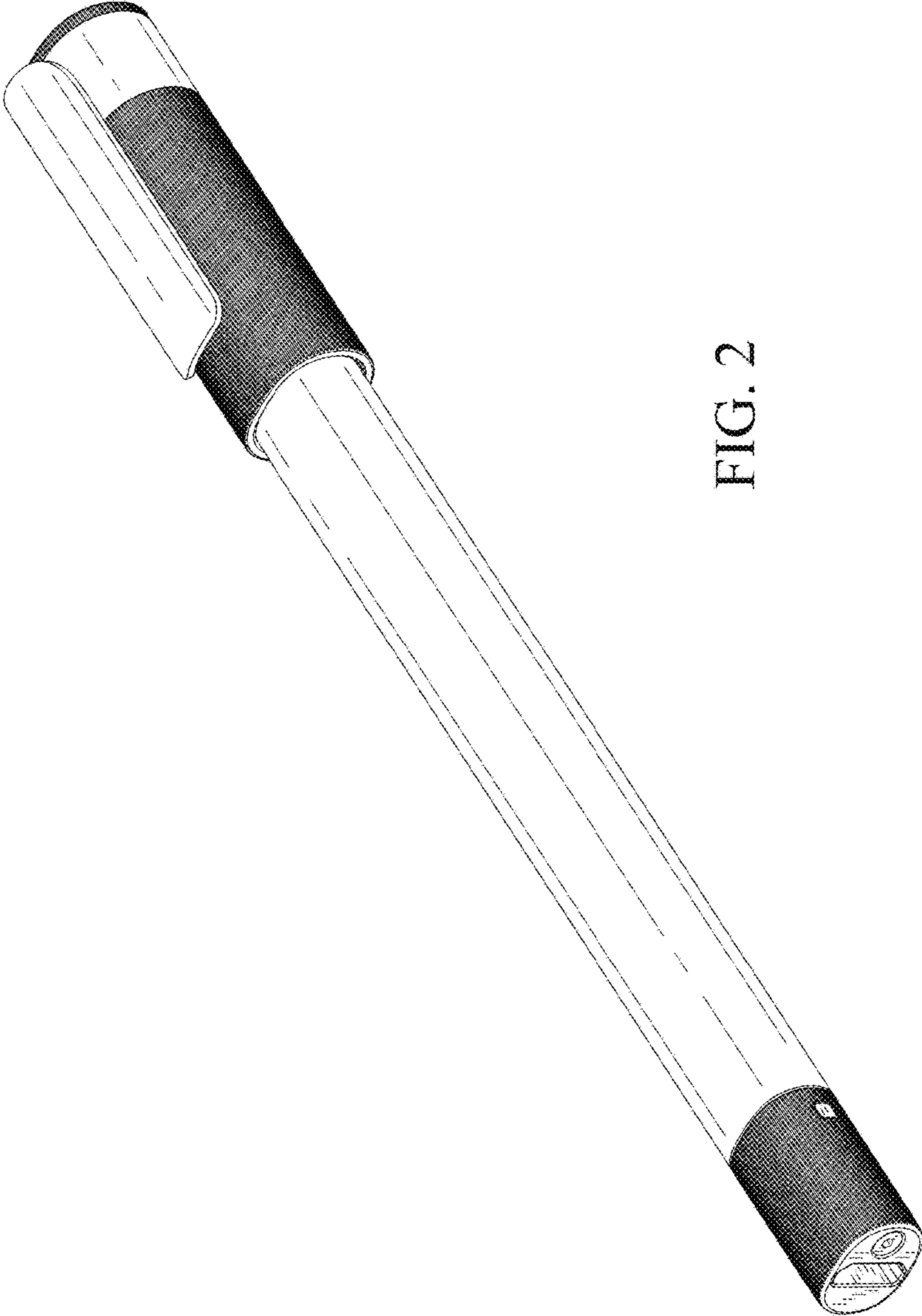


FIG. 2

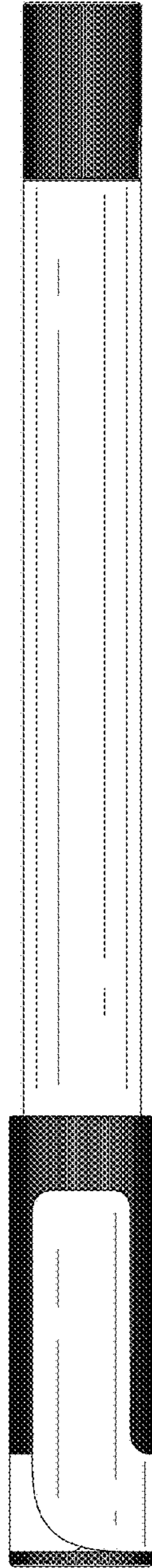


FIG. 3

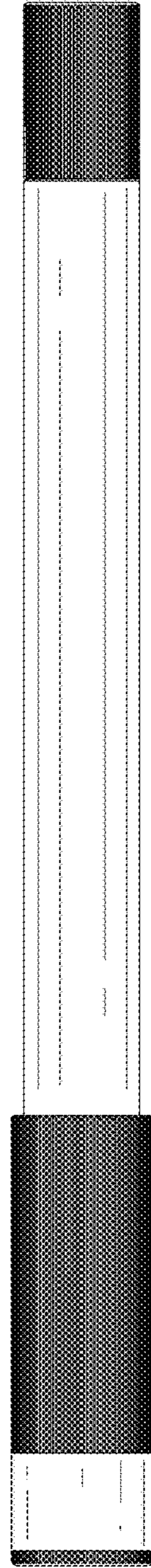


FIG. 4

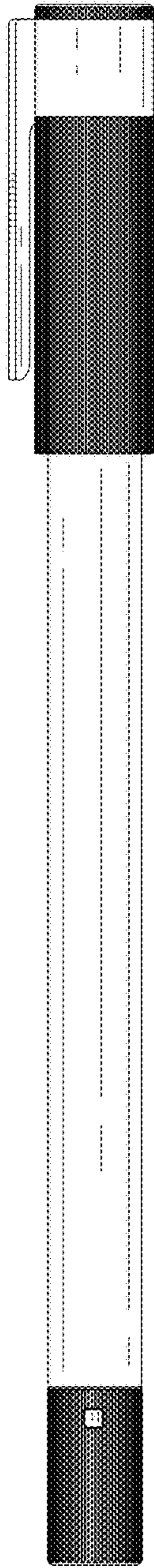


FIG. 5

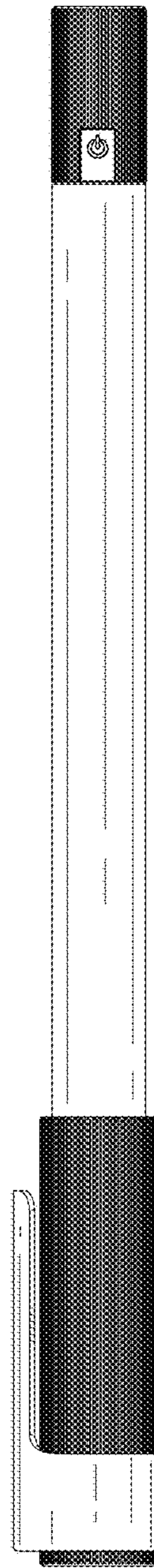


FIG. 6

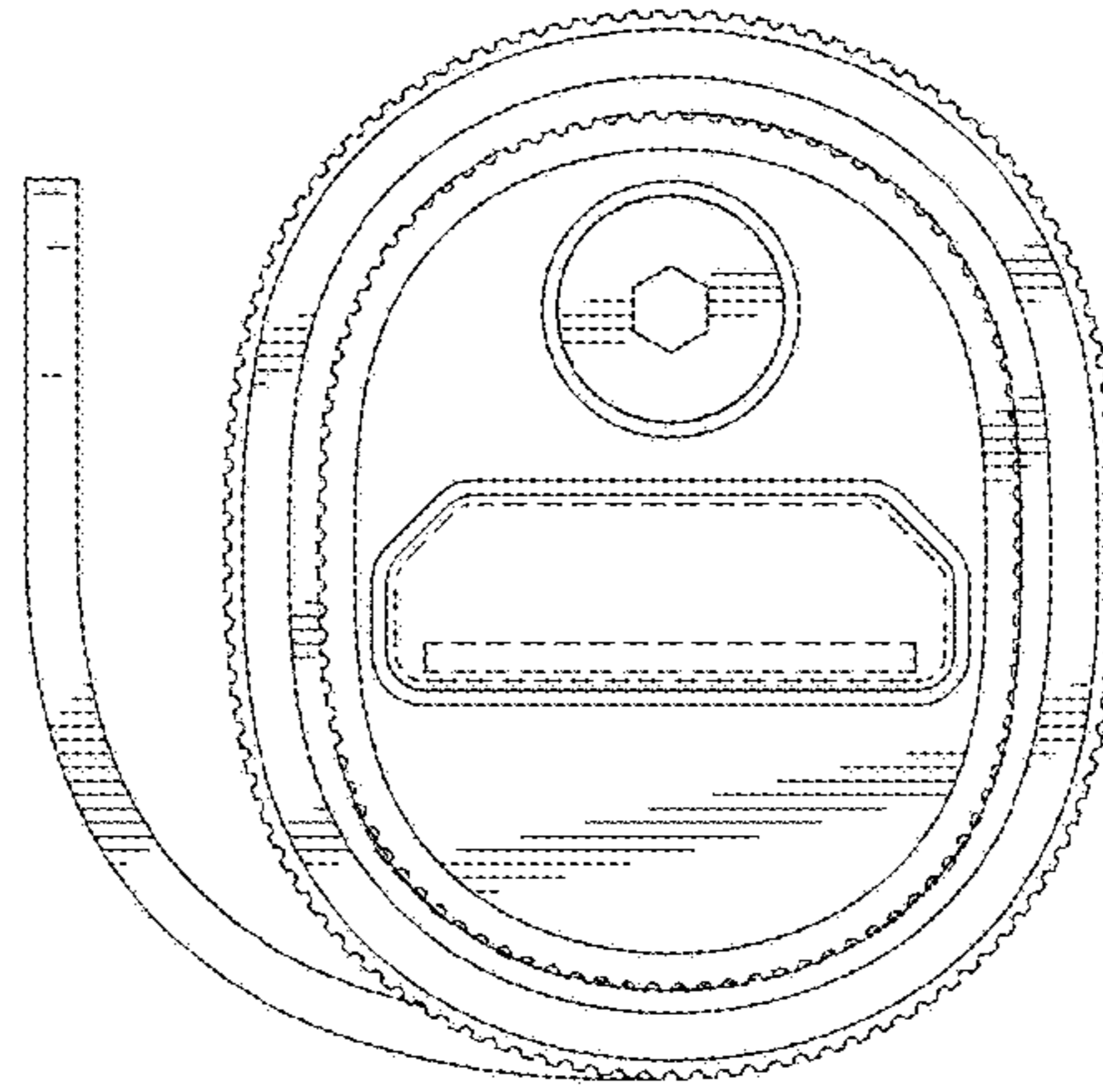


FIG. 8

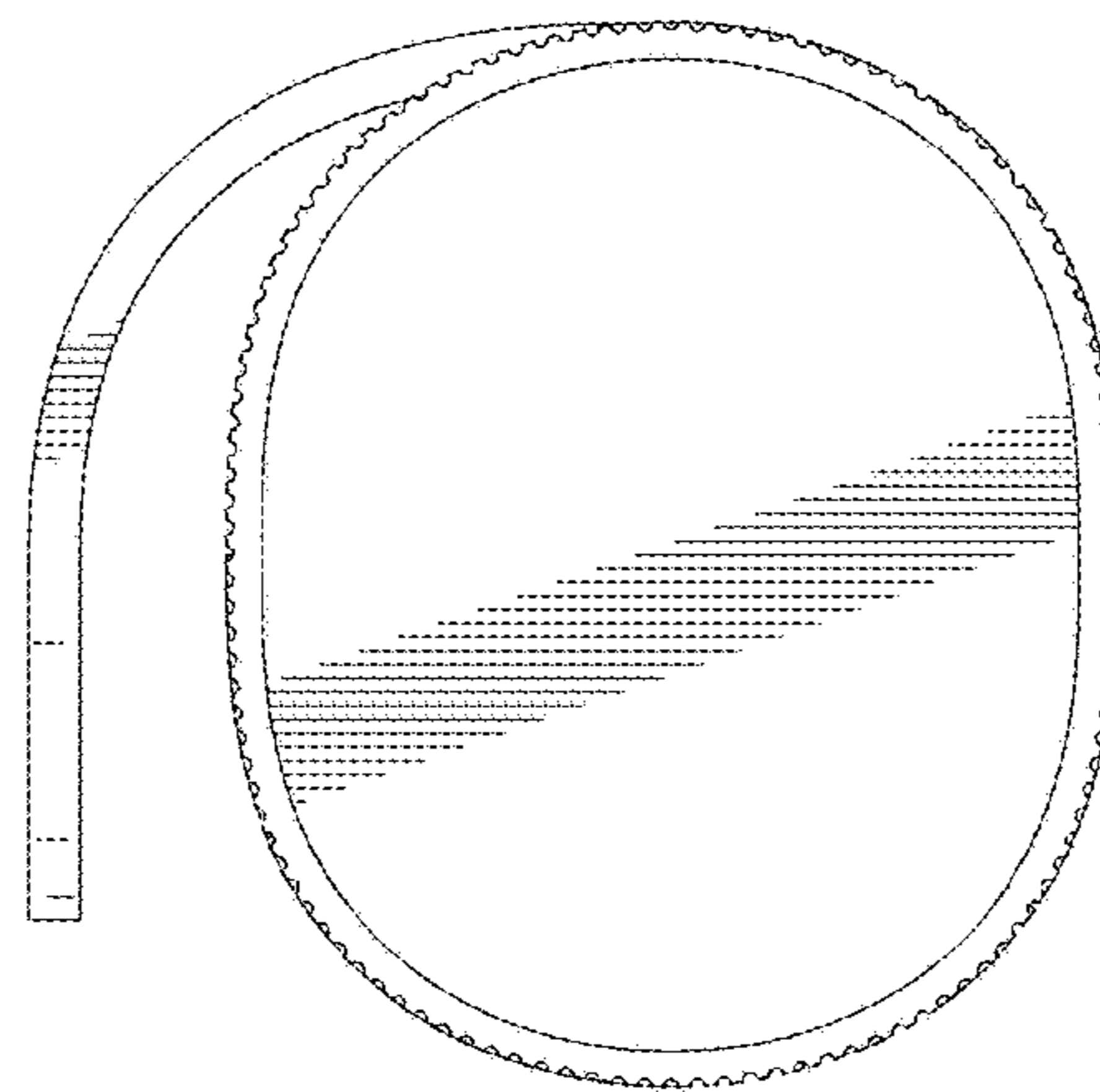


FIG. 7

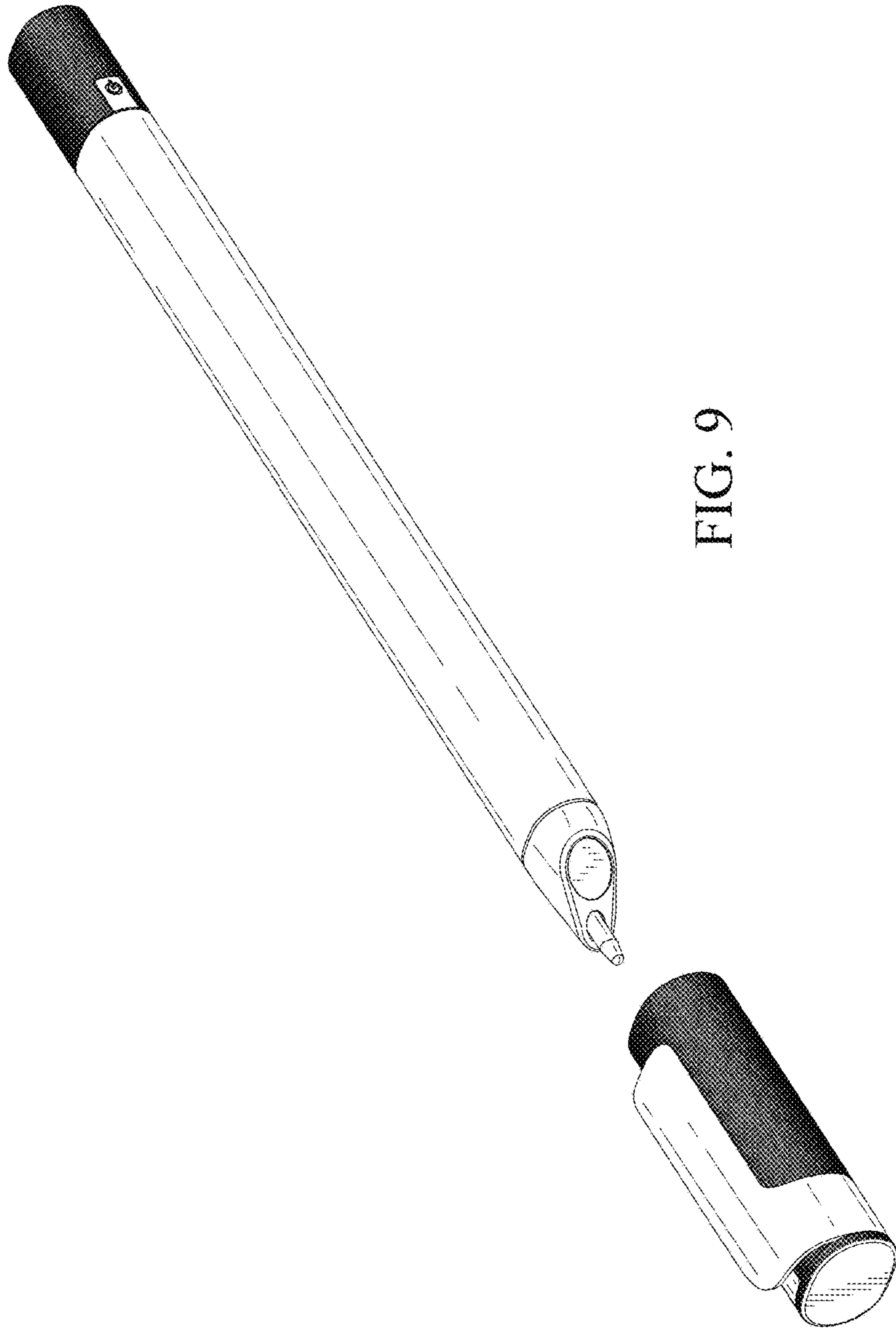


FIG. 9

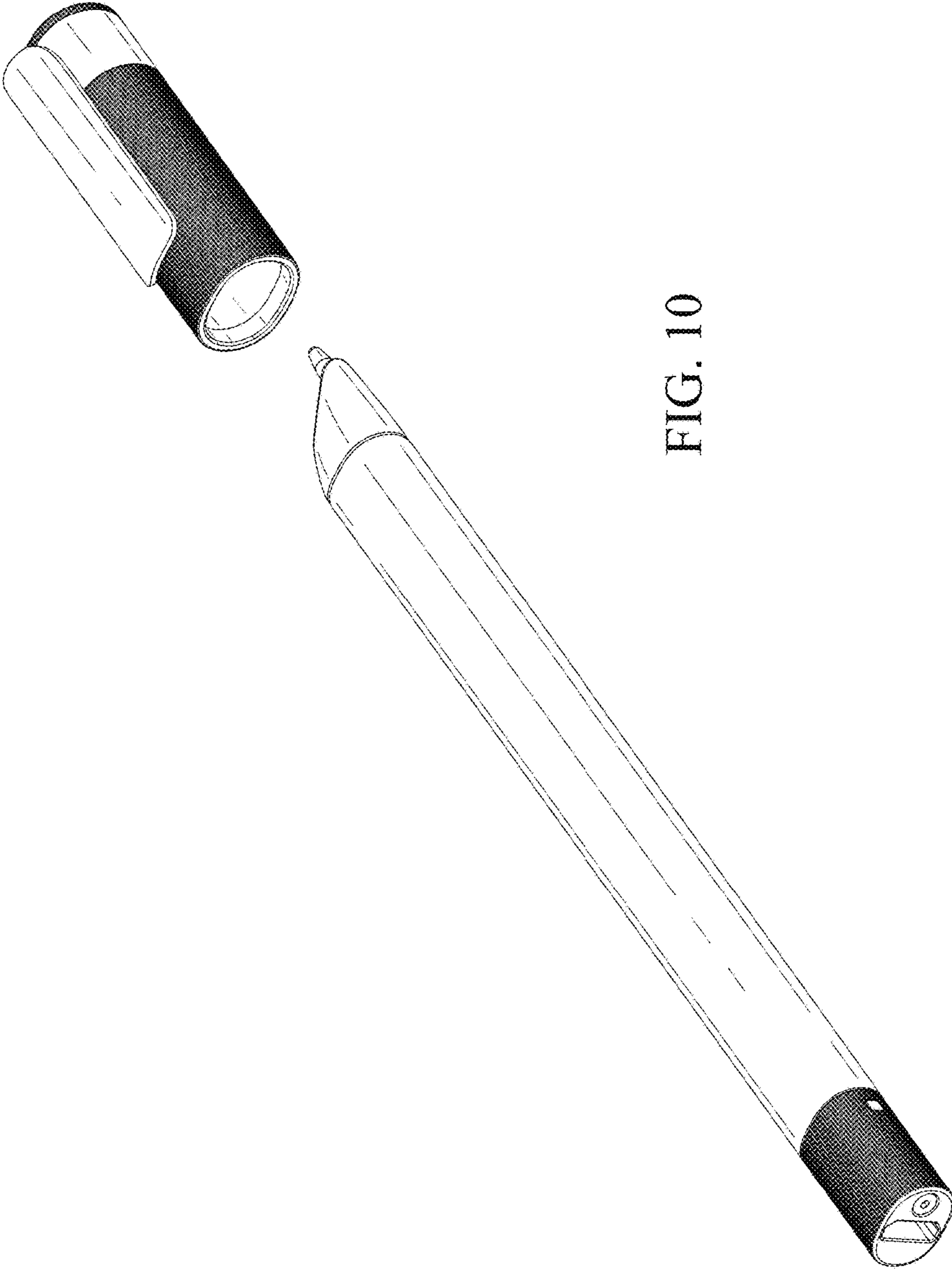


FIG. 10