



US00D856419S

(12) **United States Design Patent**  
**Mitchell**

(10) **Patent No.:** **US D856,419 S**

(45) **Date of Patent:** **\*\* Aug. 13, 2019**

(54) **PEN STAND**

(71) Applicant: **Wacom Co., Ltd.**, Kazo-shi, Saitama (JP)

(72) Inventor: **Giles Thomas Mitchell**, Setagaya-ku (JP)

(73) Assignee: **Wacom Co., Ltd.**, Kazo-shi (JP)

(\*\*) Term: **15 Years**

(21) Appl. No.: **29/608,352**

(22) Filed: **Jun. 21, 2017**

(30) **Foreign Application Priority Data**

Dec. 21, 2016 (JP) ..... 2016-027751

(51) **LOC (12) Cl.** ..... **19-06**

(52) **U.S. Cl.**  
USPC ..... **D19/84**

(58) **Field of Classification Search**  
USPC ..... D19/32, 75, 77-85, 135; D3/315, 901;  
D6/677.3; D7/590, 641; D9/415, 457,  
D9/722; D28/73

(Continued)

(56) **References Cited**

**U.S. PATENT DOCUMENTS**

D45,779 S \* 5/1914 Weeks ..... D19/79  
1,218,663 A \* 3/1917 James ..... B43L 25/002  
15/257.074

(Continued)

*Primary Examiner* — Elizabeth A. Albert

(74) *Attorney, Agent, or Firm* — Christensen O'Connor Johnson Kindness PLLC

(57) **CLAIM**

The ornamental design for a pen stand, as shown and described.

**DESCRIPTION**

FIG. 1 is a top front right perspective view of a pen stand according to my new design;

FIG. 2 is a bottom front left perspective view thereof;

FIG. 3 is a front elevation view of thereof, wherein the rear elevation view is identical to the front elevation view;

FIG. 4 is a left side elevation view of thereof, wherein the right side elevation view is identical to the left side elevational view;

FIG. 5 is a top plan view of thereof;

FIG. 6 is a bottom plan view of thereof;

FIG. 7 is a top front right perspective view of a first portion of the pen stand shown in FIG. 1, wherein a second portion of the pen stand is not shown;

FIG. 8 is a bottom front left perspective view thereof;

FIG. 9 is a front elevation view thereof, wherein the rear elevation view is identical to the front elevation view;

FIG. 10 is a left side elevation view of thereof, wherein the right side elevation view is identical to the left side elevation view;

FIG. 11 is a top plan view of thereof;

FIG. 12 is a bottom plan view of thereof;

FIG. 13 is a top front right perspective view of the second portion of the pen stand shown in FIG. 1, wherein the first portion is not shown;

FIG. 14 is a front elevation view thereof, wherein the rear elevation view is identical to the front elevation view;

FIG. 15 is a left side elevation view thereof, wherein the right side elevation view is identical to the left side elevation view;

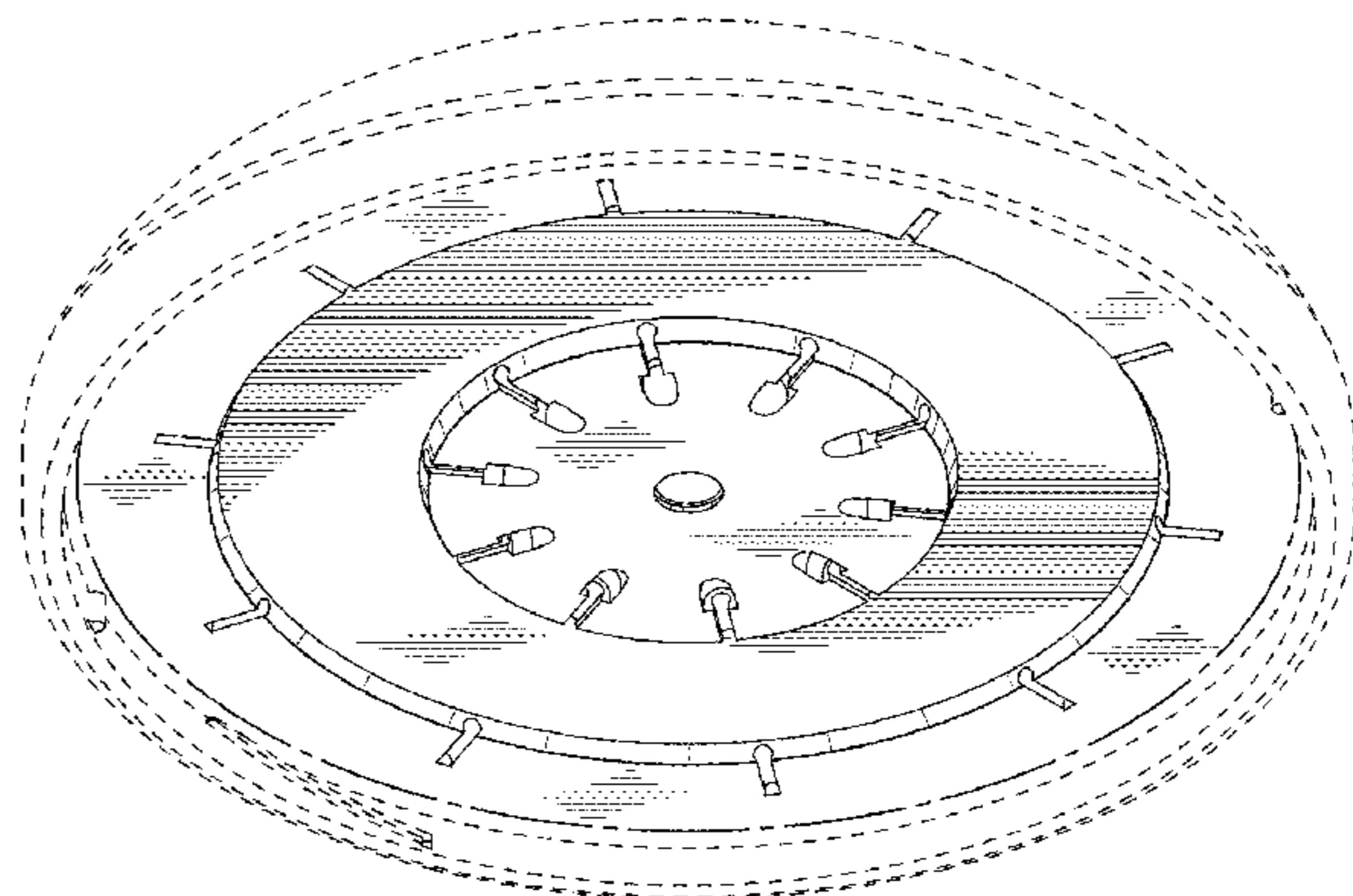
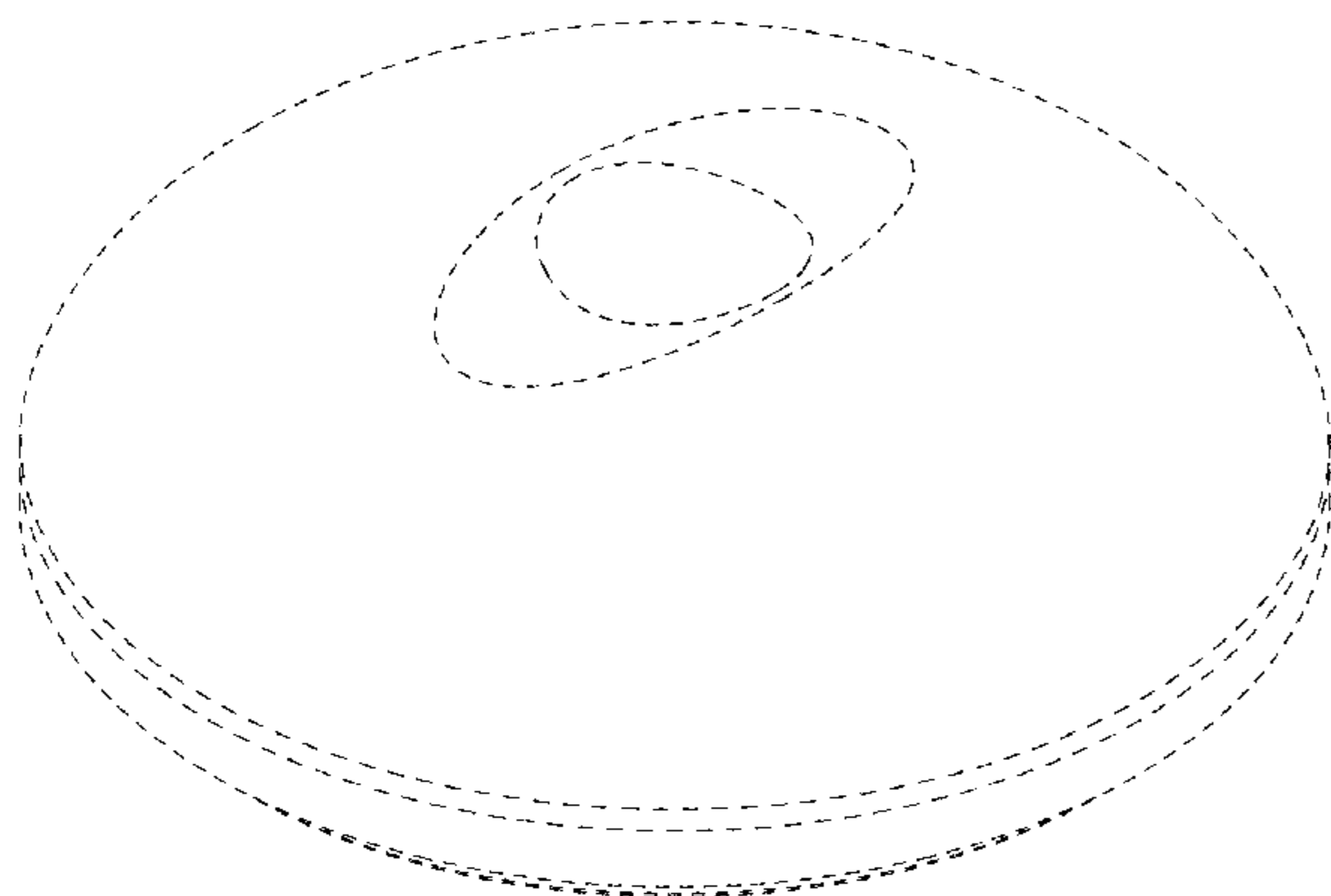
FIG. 16 is a top plan view thereof;

FIG. 17 is a bottom plan view thereof; and,

FIG. 18 is a bottom front left perspective view of the first portion of the pen stand shown in FIG. 1, wherein the second portion of the pen stand is not shown, and a plurality of pen nibs disposed therein.

The evenly spaced broken lines in FIGS. 1-18 show portions of the pen stand that form no part of the claimed design. The long and short broken lines in FIGS. 8, 12, and 18 define boundaries of the claimed design and form no part thereof.

**1 Claim, 12 Drawing Sheets**



# US D856,419 S

Page 2

(58) **Field of Classification Search**

CPC .. B43K 23/001; B43K 23/002; B43K 23/004;  
B43K 23/008; B43K 23/012; B43K  
23/016; B43K 23/04; B43M 99/006;  
B43M 99/008

See application file for complete search history.

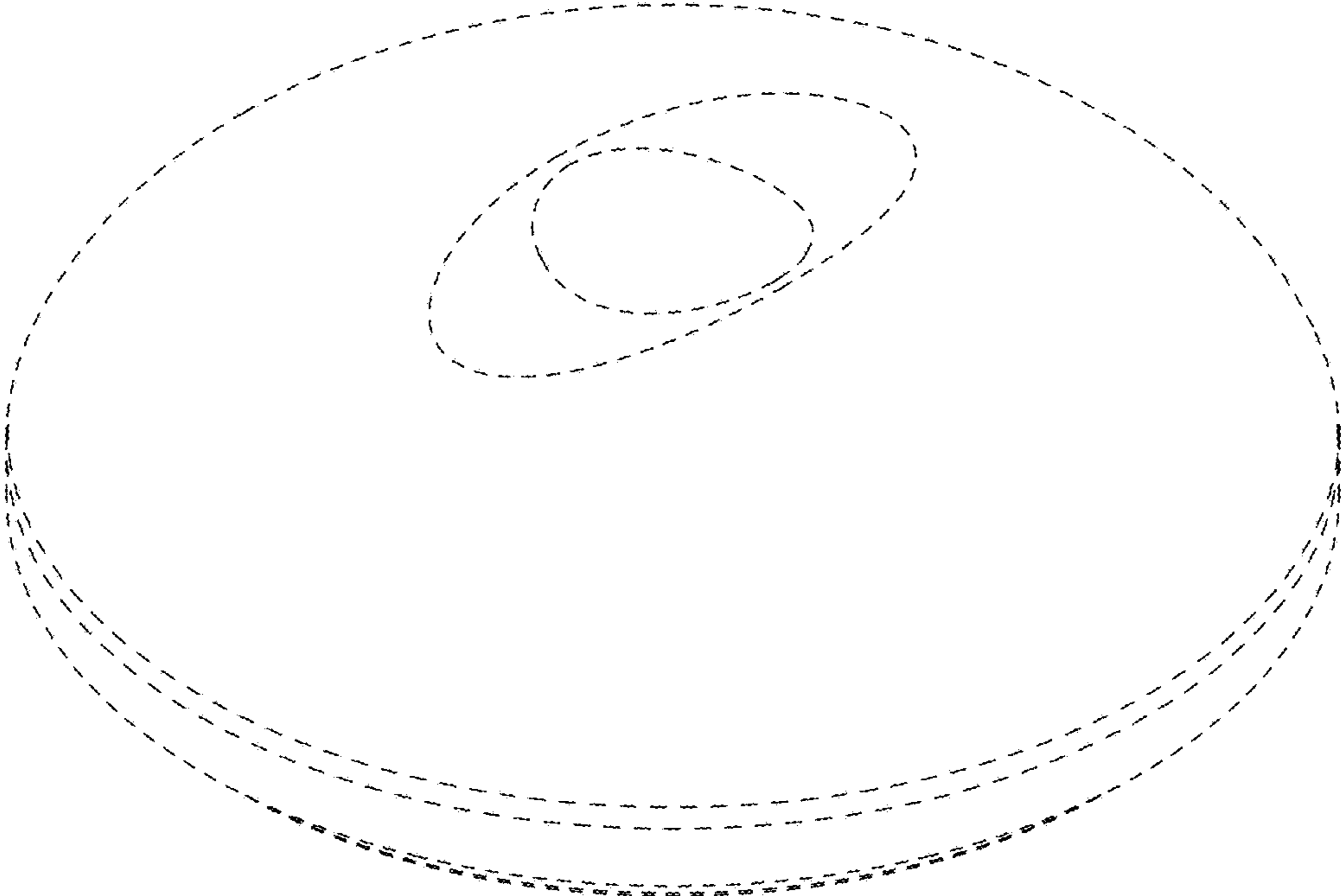
(56) **References Cited**

U.S. PATENT DOCUMENTS

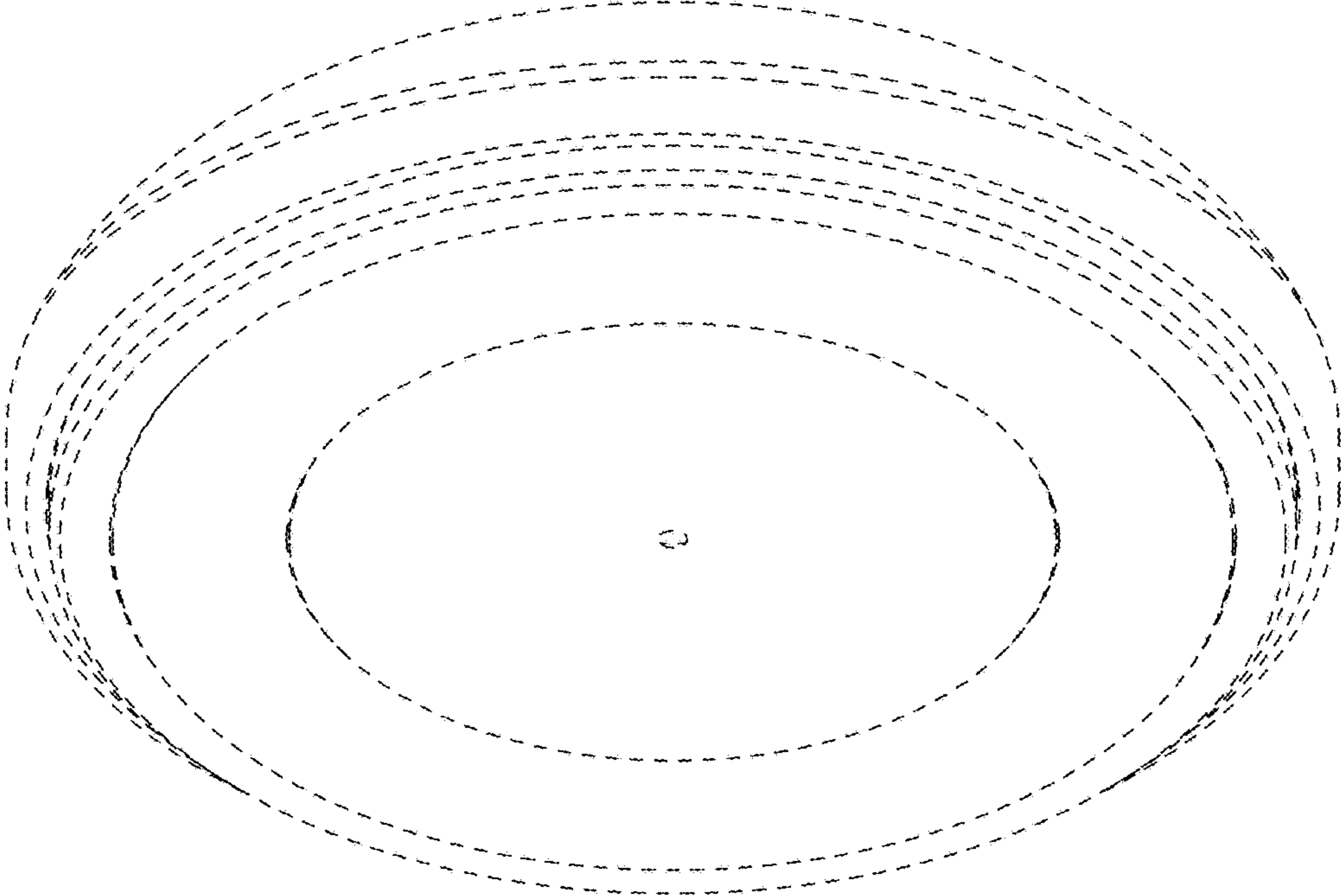
D181,114 S \* 10/1957 Turner ..... D19/84  
D184,031 S \* 12/1958 Steinberg ..... D19/84  
2,956,544 A \* 10/1960 McDonald ..... B43M 9/00  
16/403  
4,865,285 A \* 9/1989 Gaggianese ..... B43M 99/004  
248/309.4

D310,688 S \* 9/1990 Windorski ..... D19/75  
D316,112 S \* 4/1991 Windorski ..... D19/75  
D342,096 S \* 12/1993 Cornell ..... D19/86  
5,839,712 A \* 11/1998 Wang ..... B43M 99/003  
248/316.2  
D405,471 S \* 2/1999 Carlson ..... D19/86  
D504,157 S \* 4/2005 Huang ..... D19/75  
D525,306 S \* 7/2006 Hirota ..... D19/84  
D570,416 S \* 6/2008 Hackenberg ..... D19/83  
D624,966 S 10/2010 Crisp  
D643,879 S \* 8/2011 Rashid ..... D19/86  
D660,518 S \* 5/2012 Chen ..... D28/73  
D669,133 S \* 10/2012 Dalton ..... B25C 7/00  
D19/75  
D761,488 S \* 7/2016 Alarcon ..... D27/135  
2018/0154679 A1 \* 6/2018 Mitchell ..... B43K 8/22

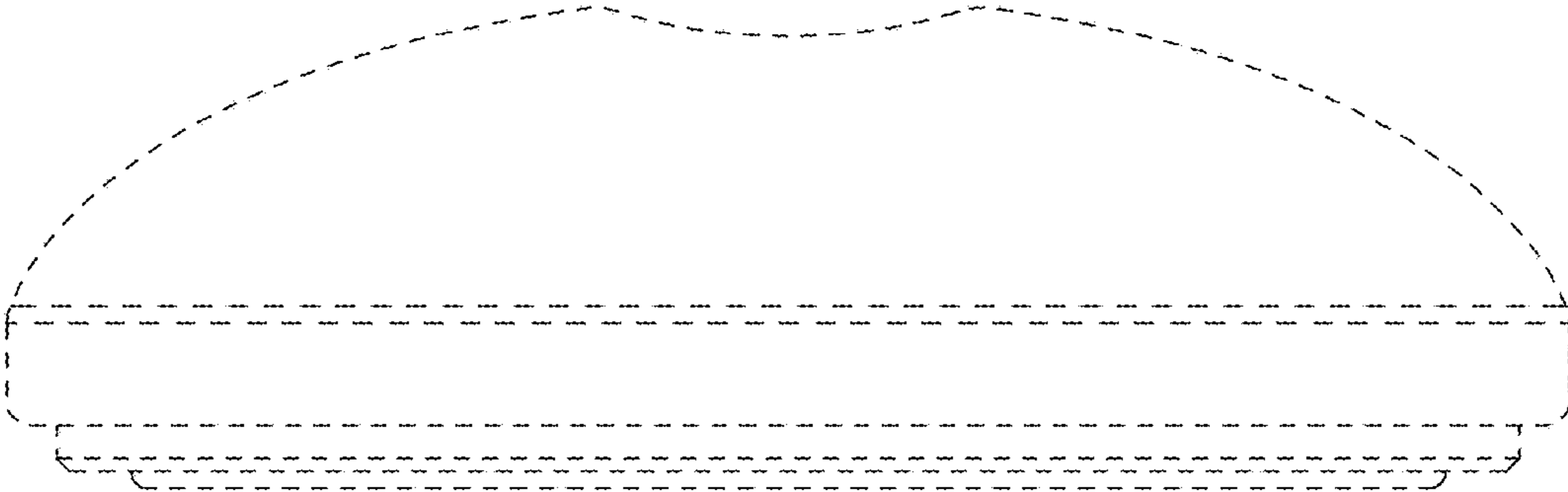
\* cited by examiner



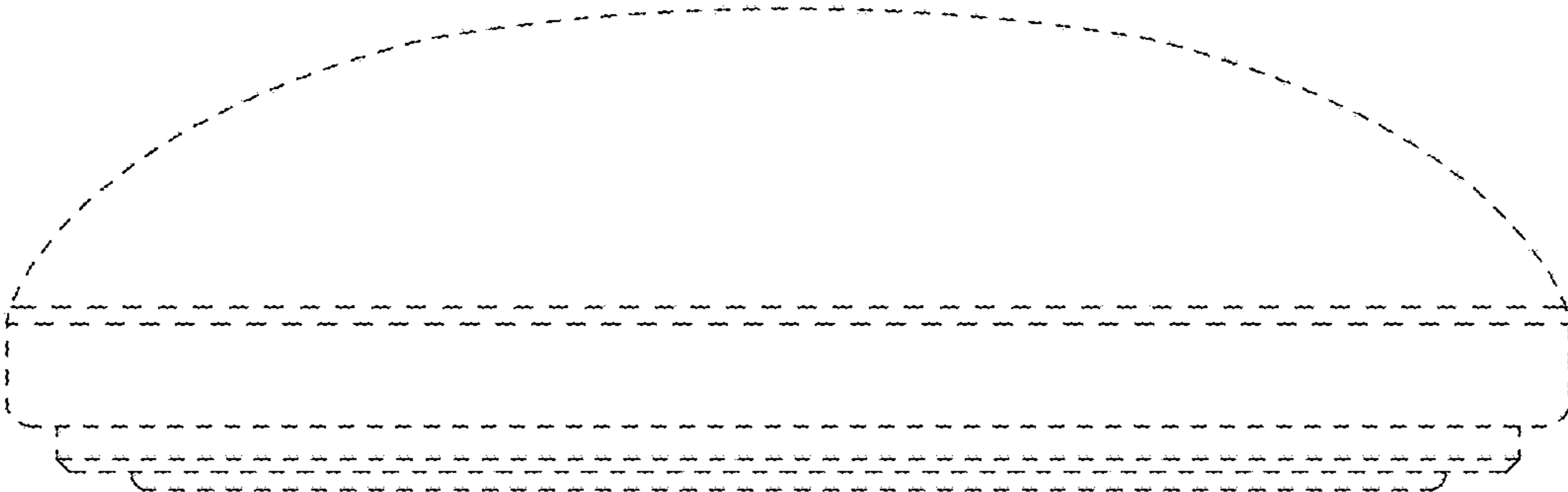
*Fig. 1.*



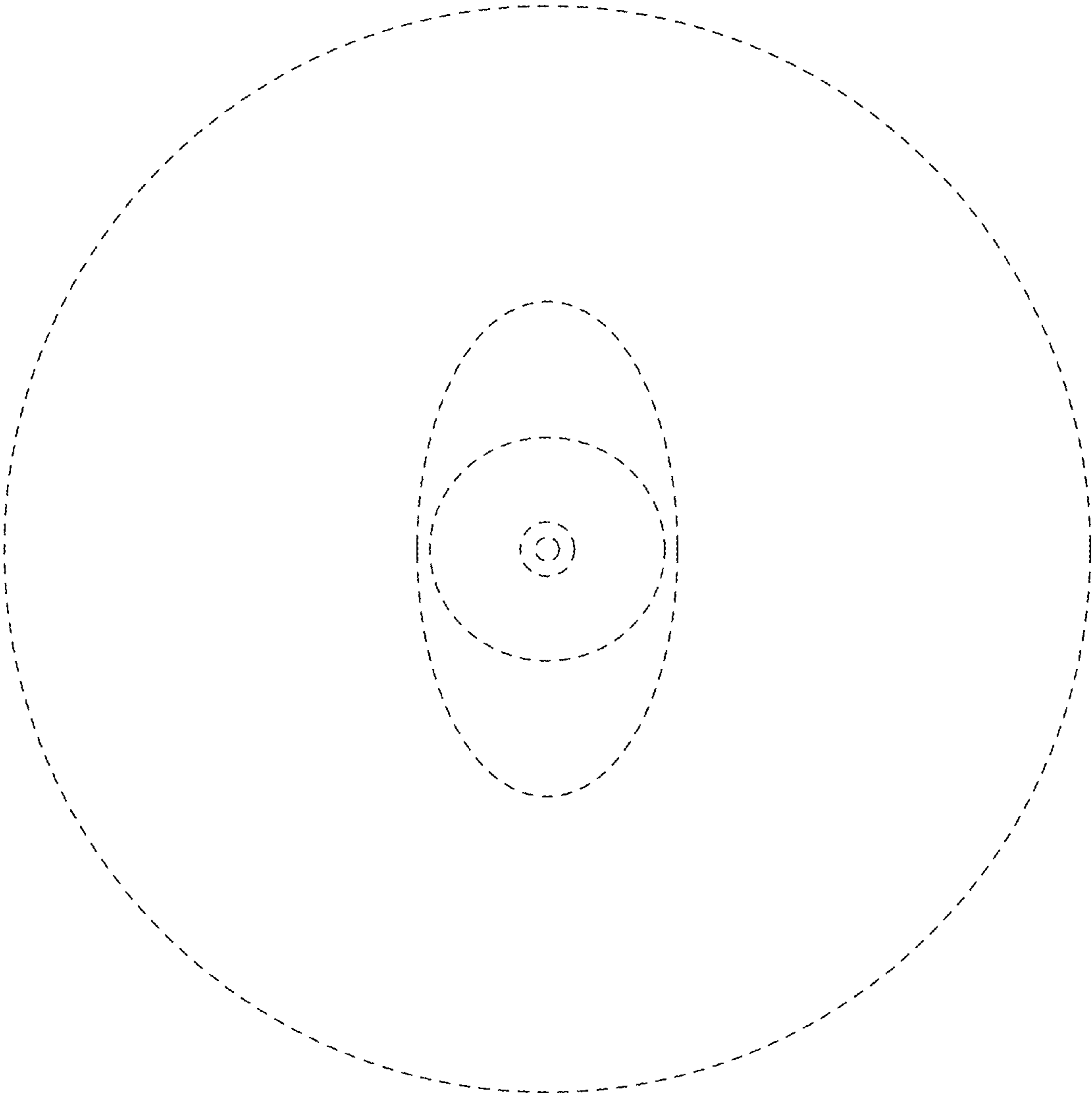
*Fig. 2.*



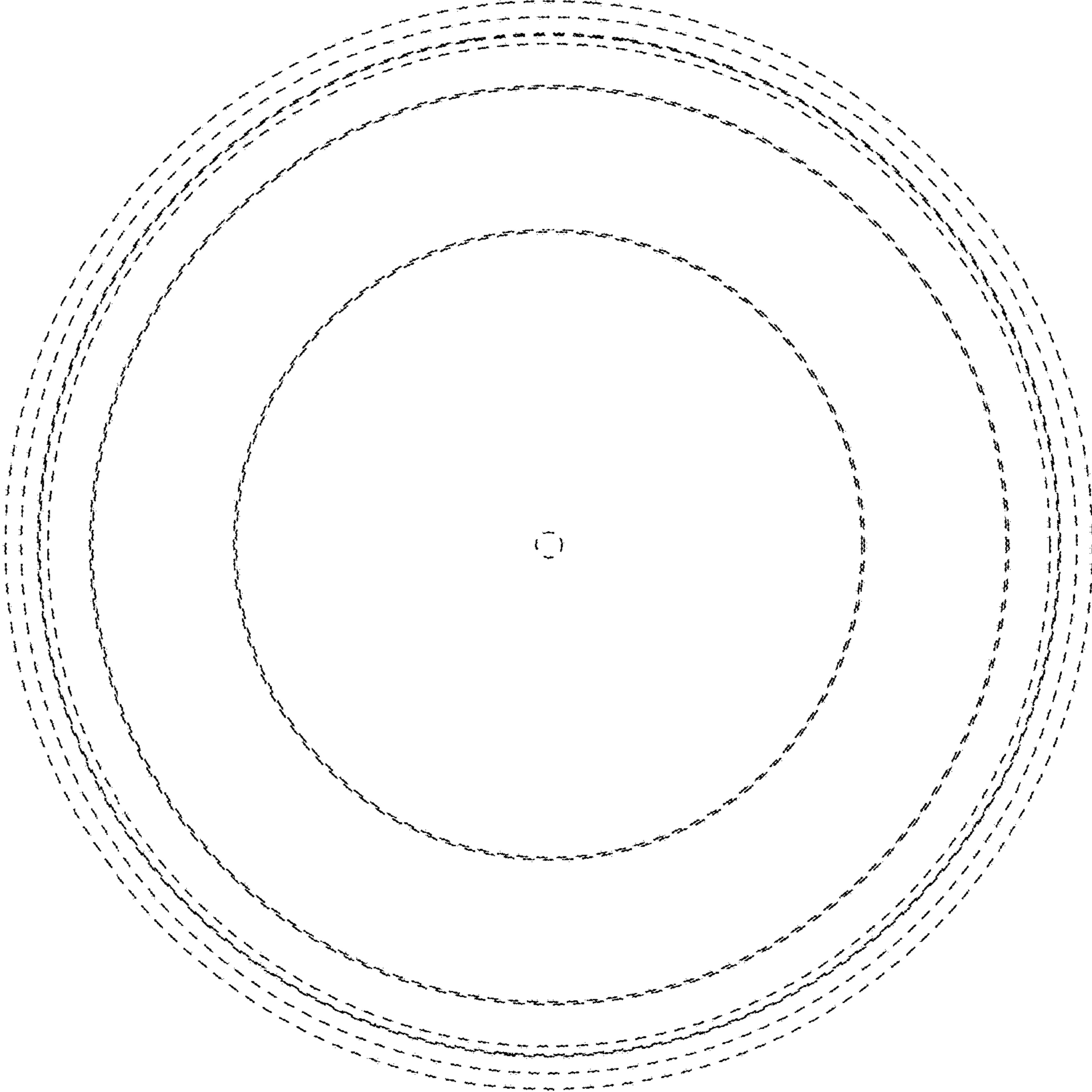
*Fig.3.*



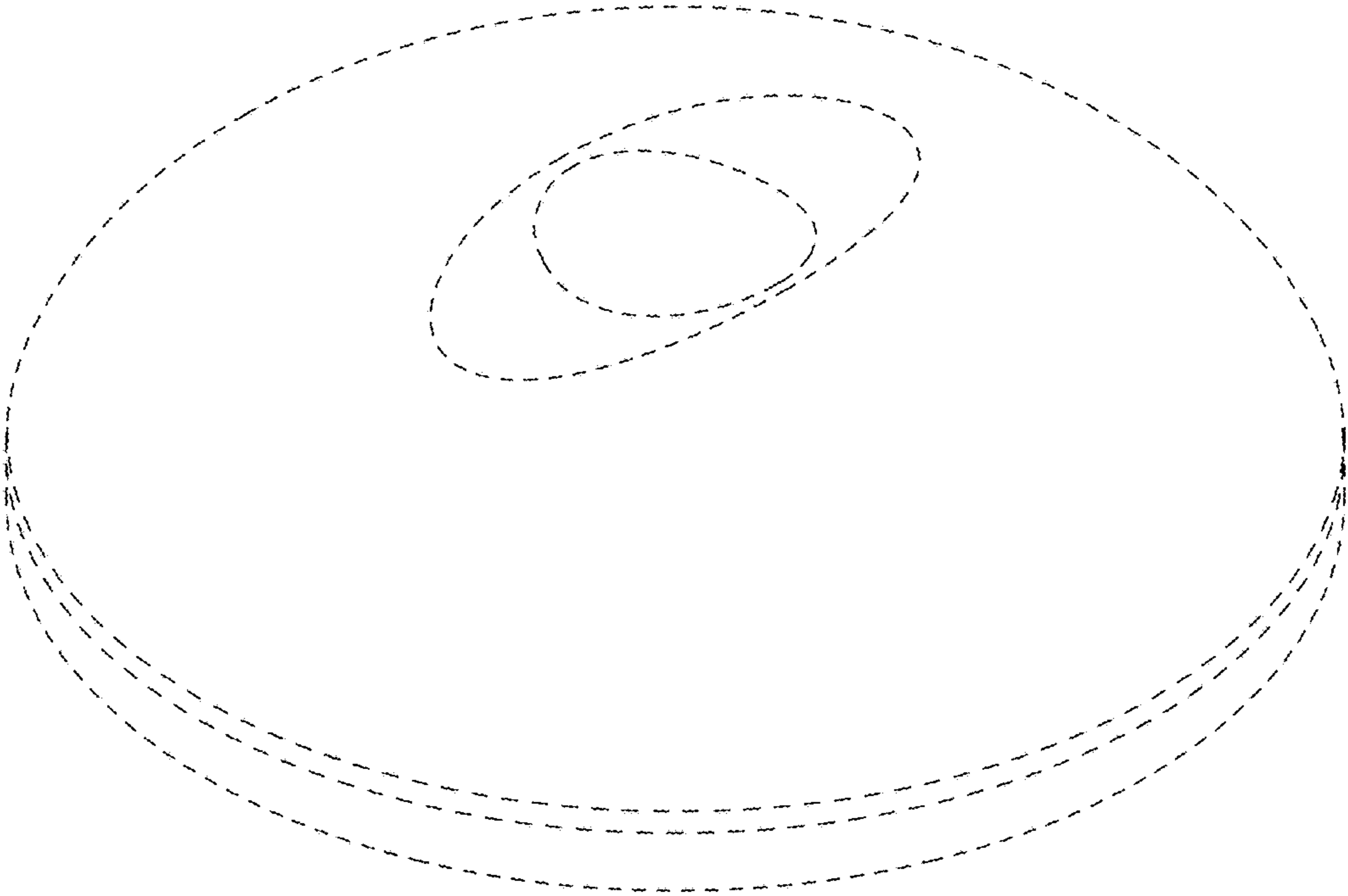
*Fig.4.*



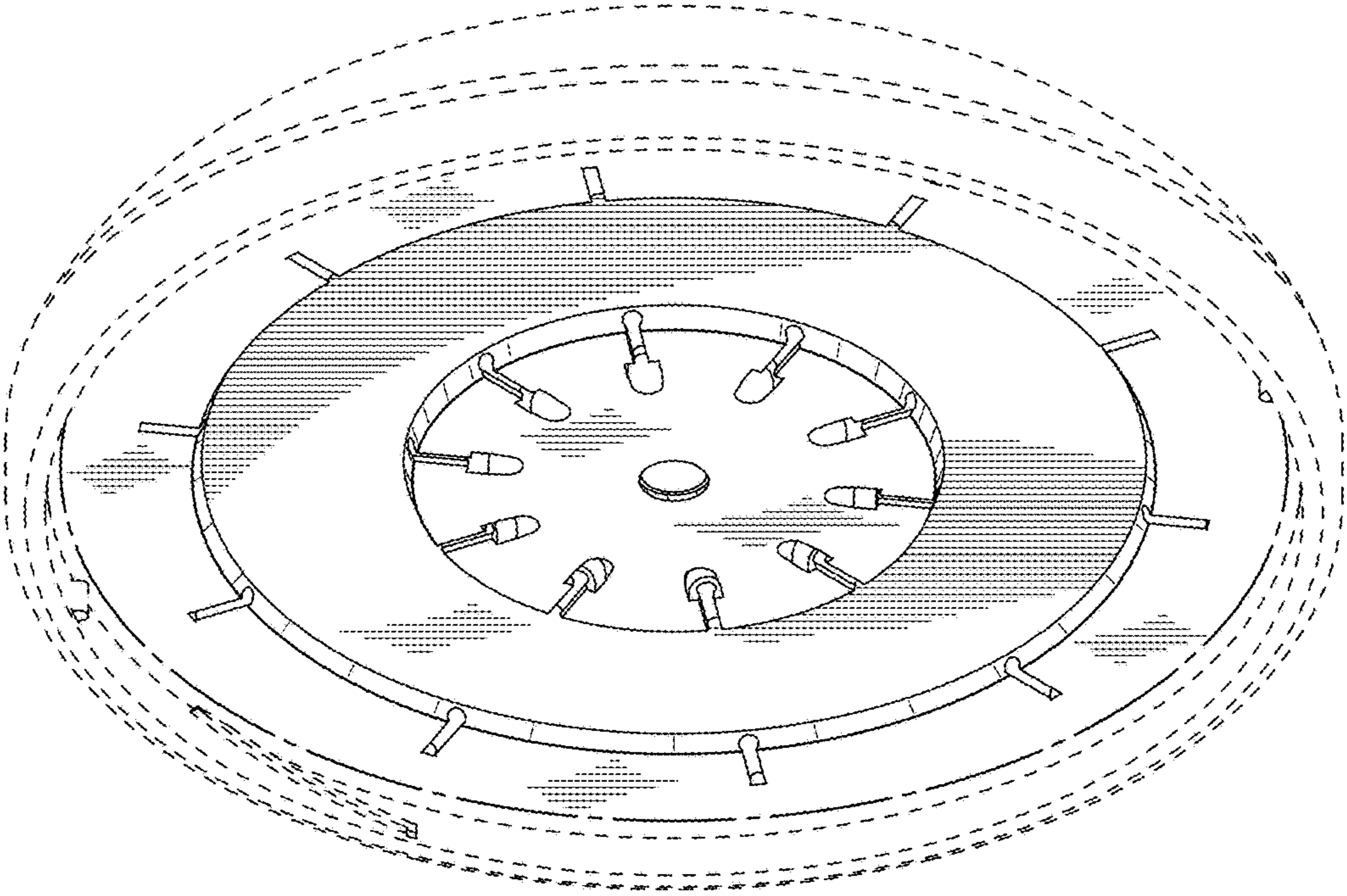
*Fig. 5.*



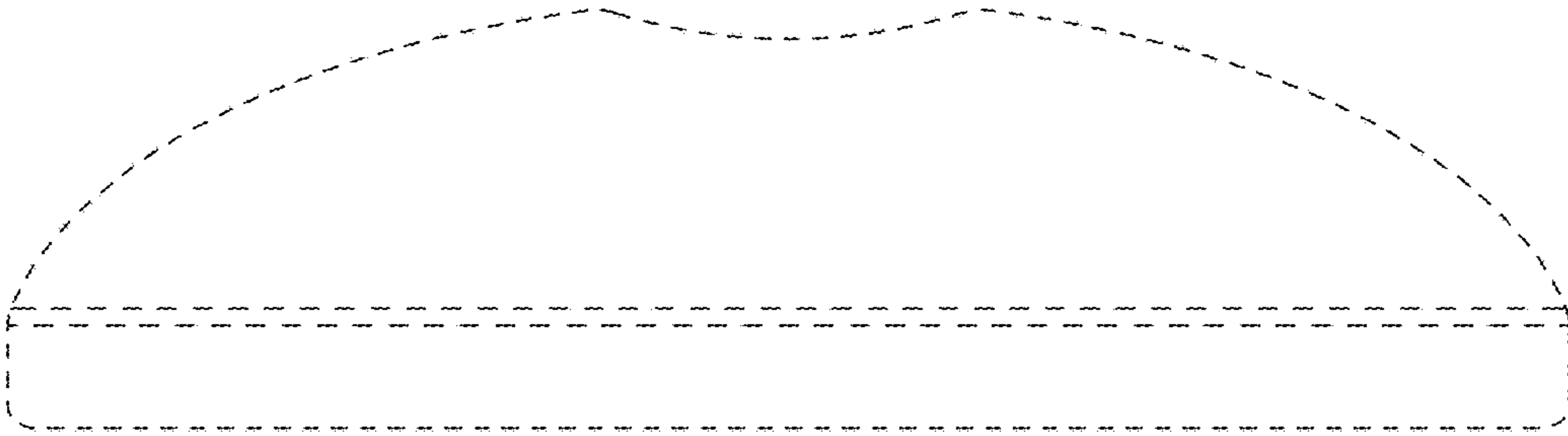
*Fig. 6.*



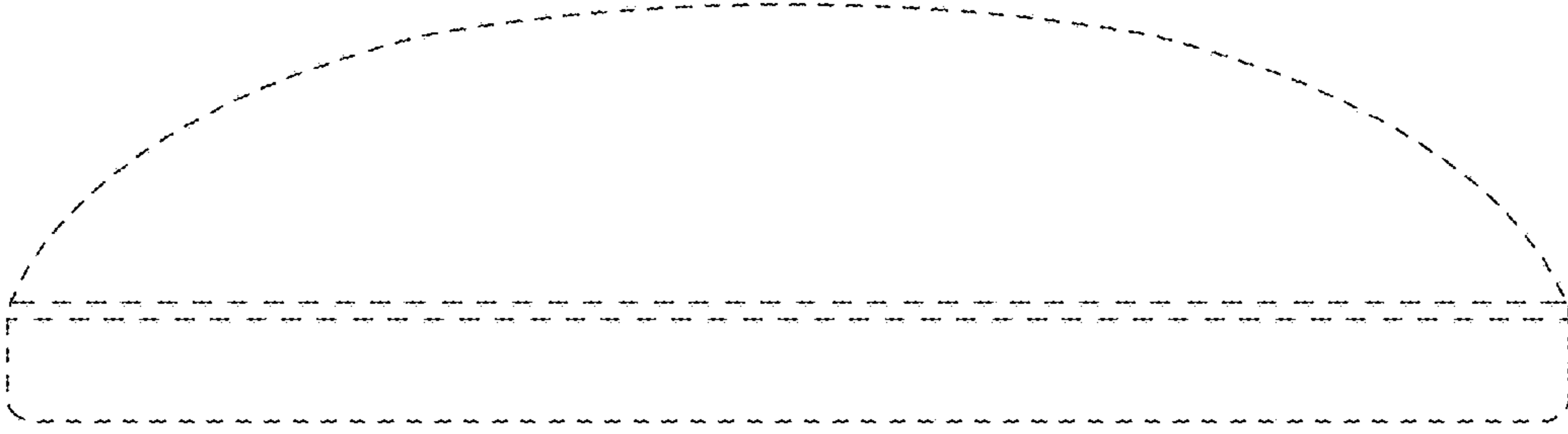
*Fig. 7.*



*Fig. 8.*

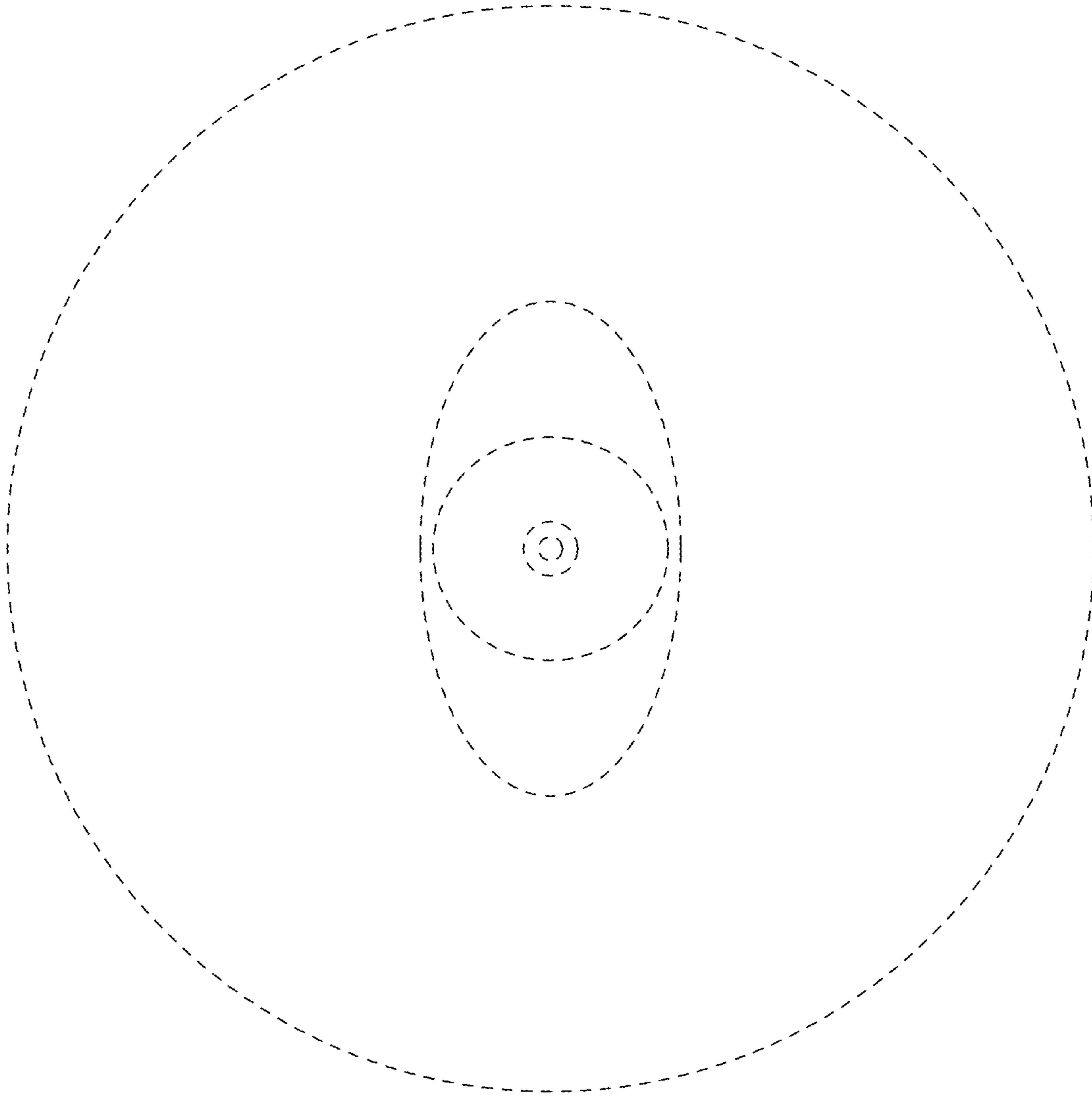


*Fig. 9.*

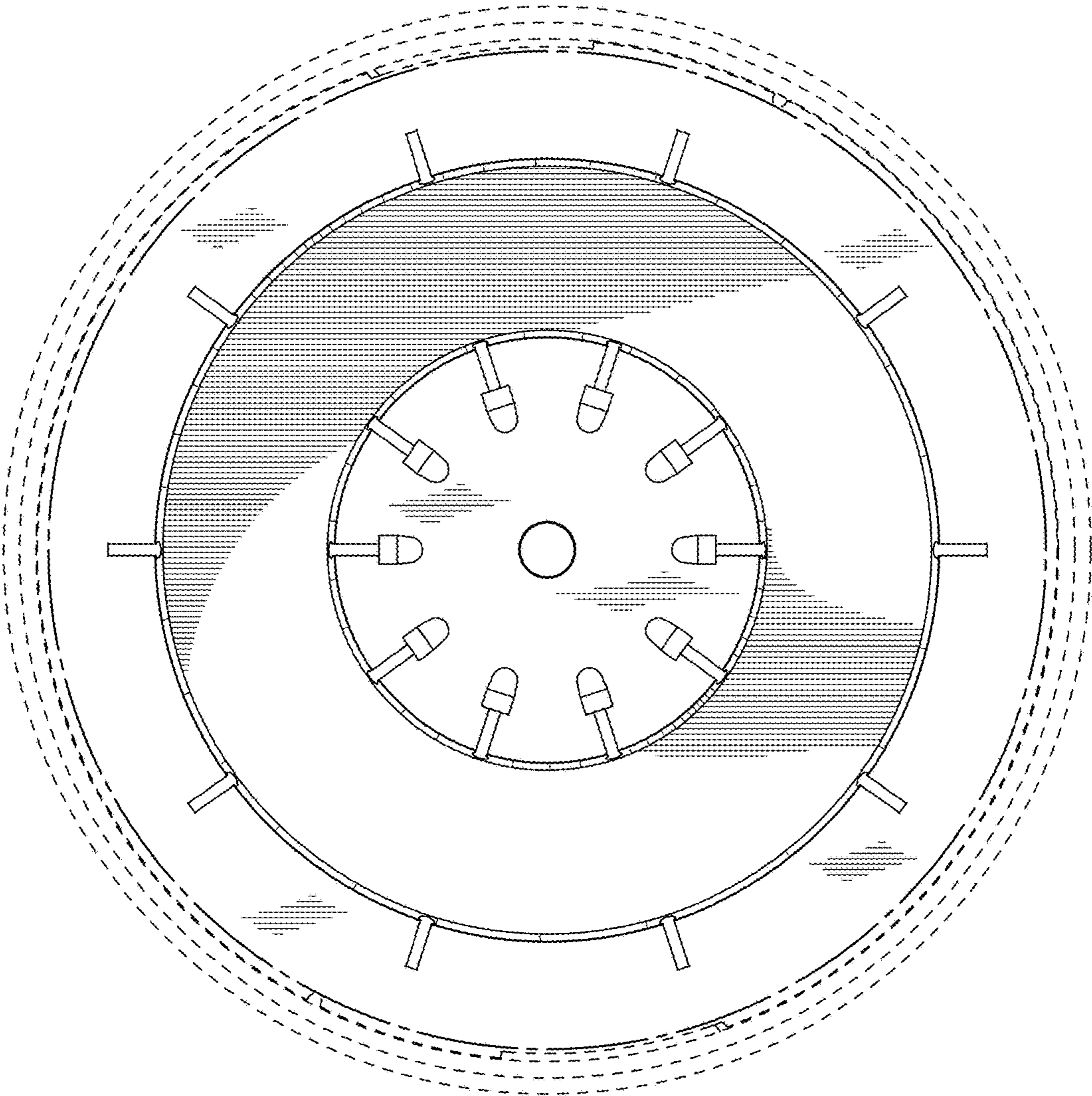


*Fig. 10.*

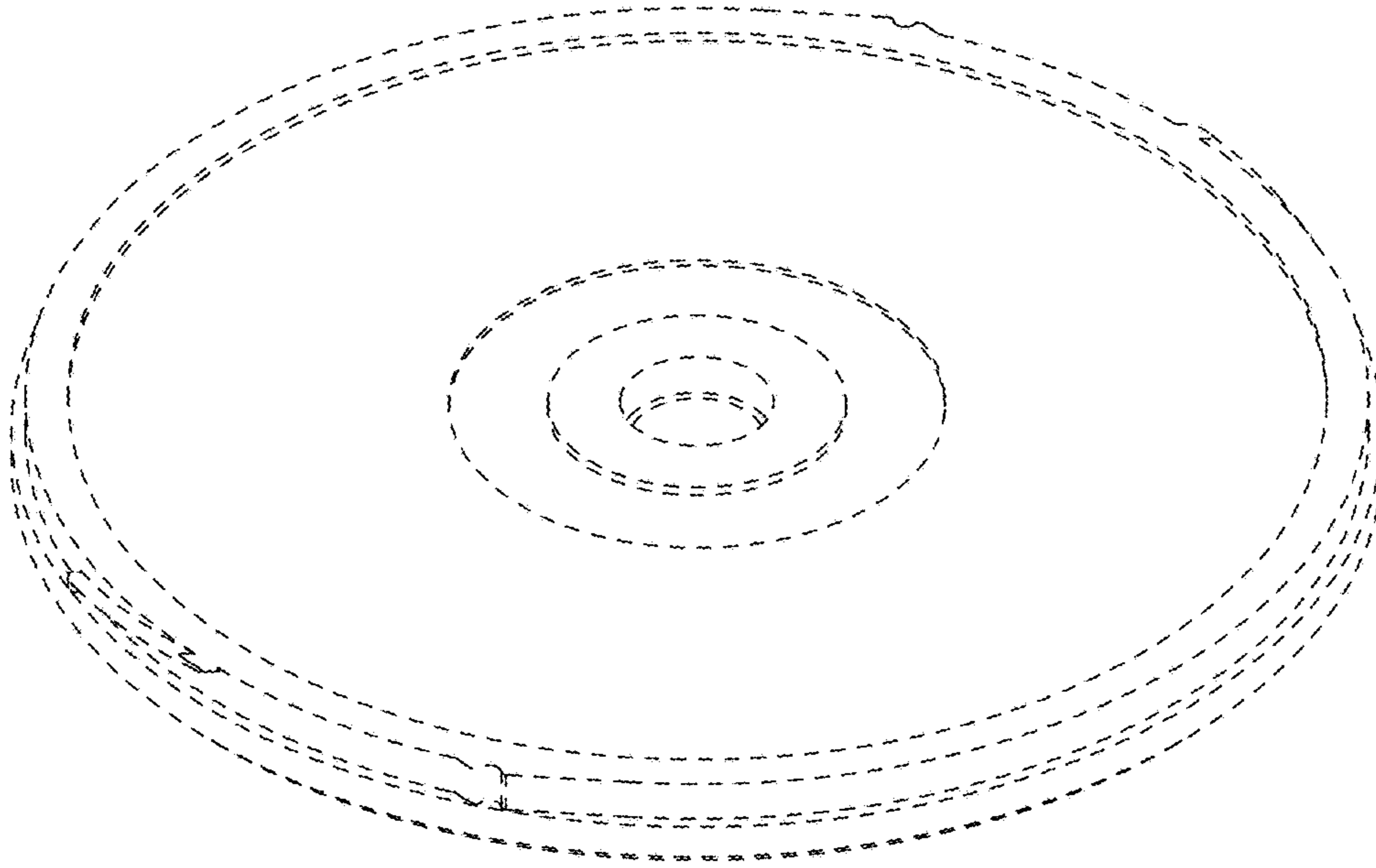




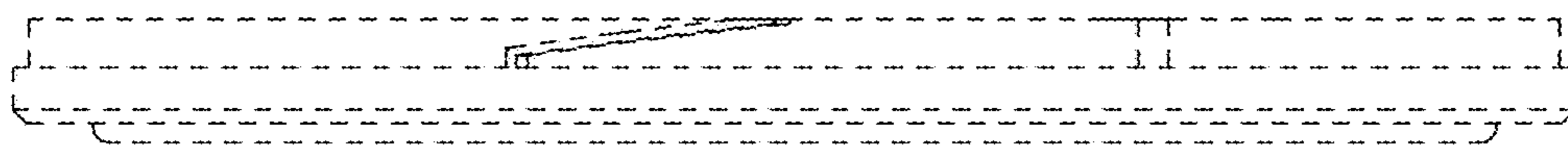
*Fig. 11.*



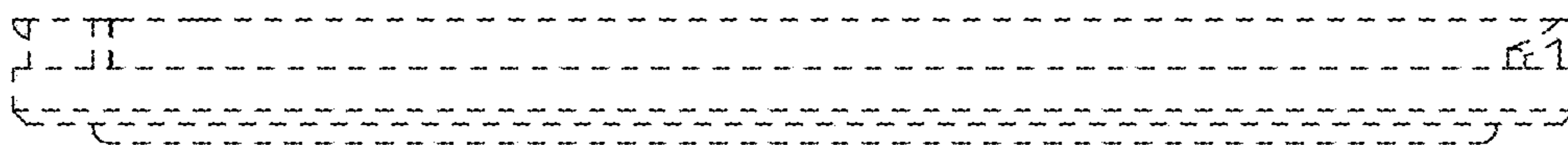
*Fig. 12.*



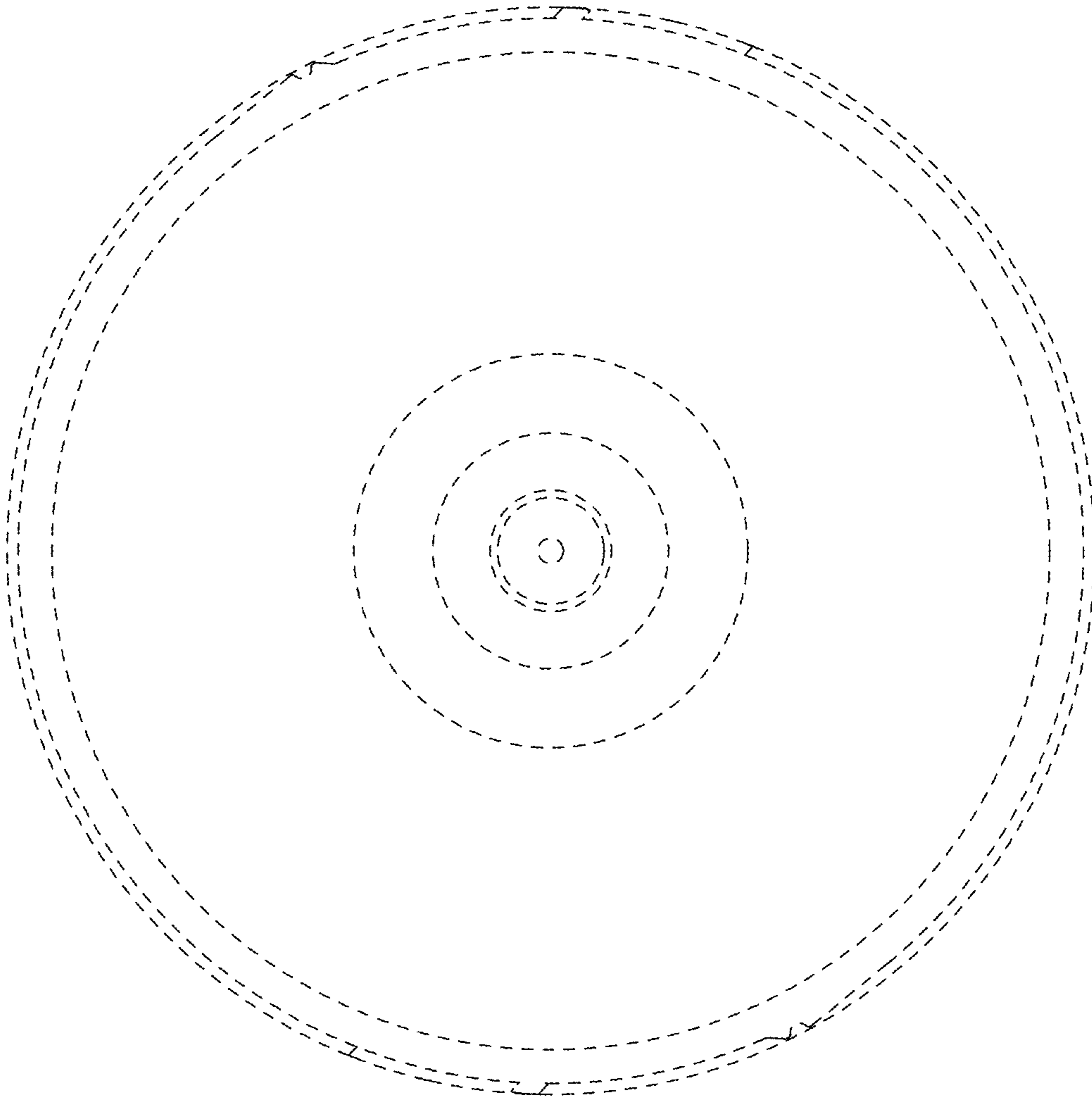
*Fig. 13.*



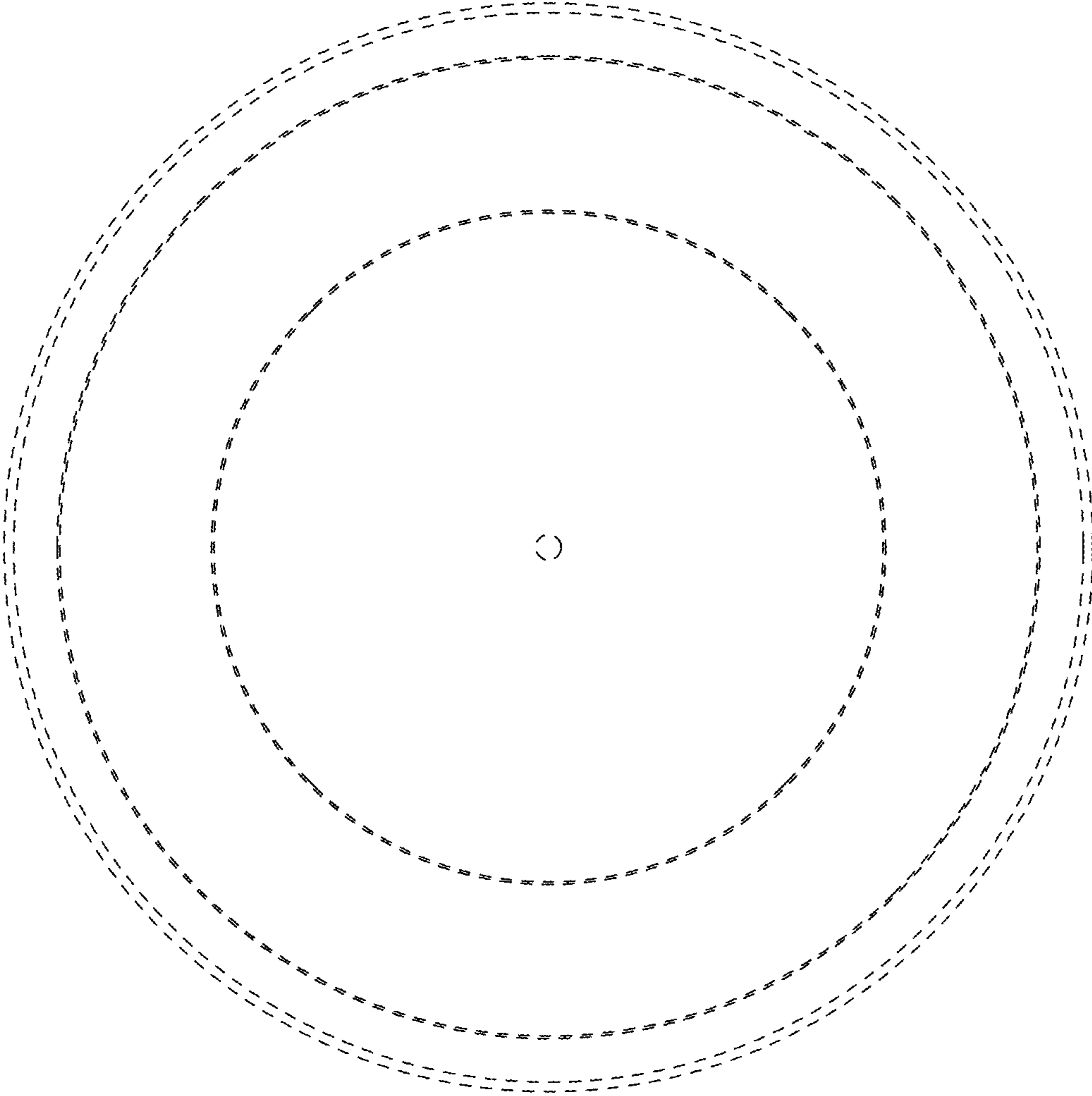
*Fig. 14.*



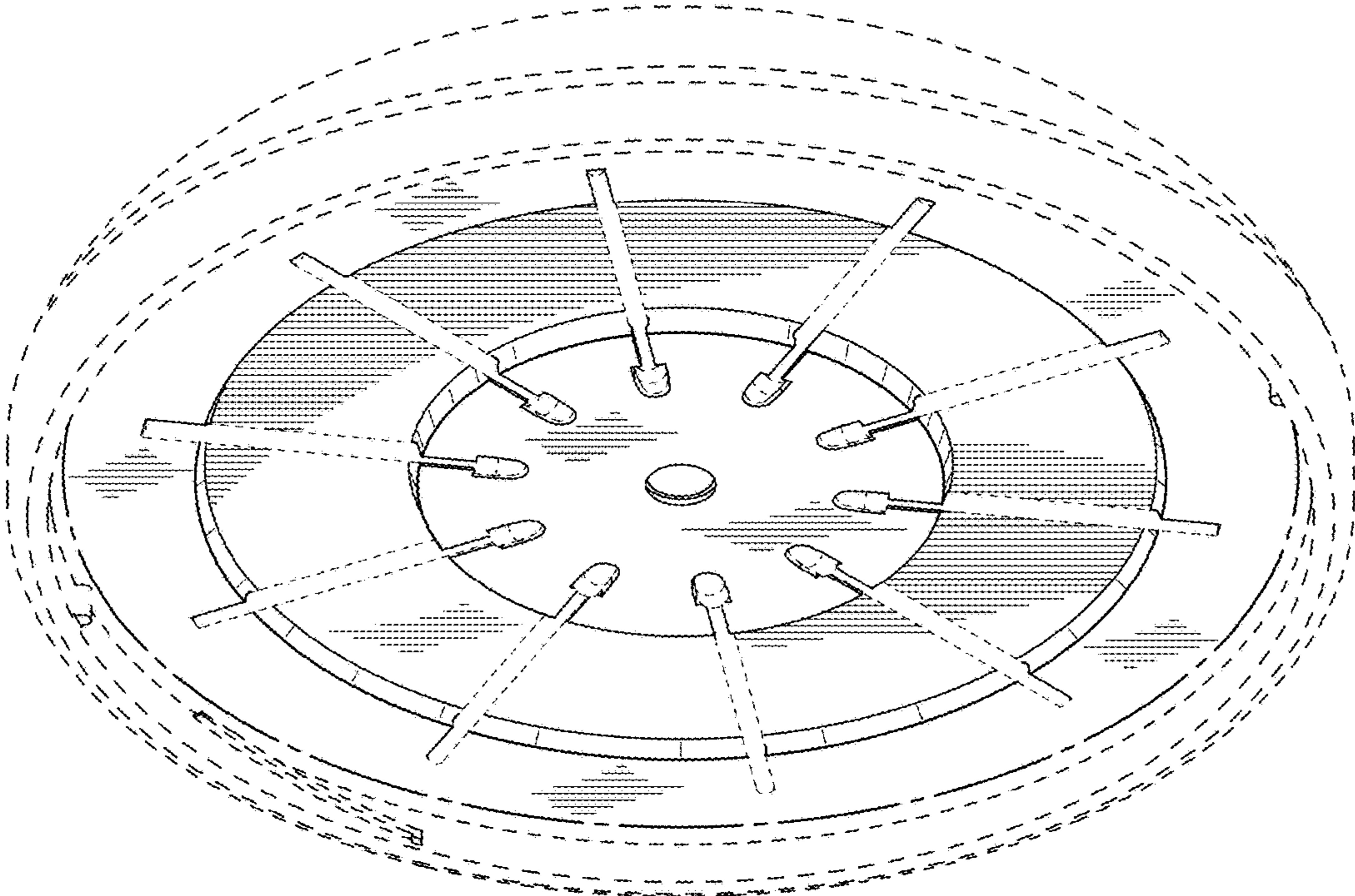
*Fig. 15.*



*Fig. 16.*



*Fig. 17.*



*Fig. 18.*