



US00D856413S

(12) **United States Design Patent** (10) **Patent No.:** **US D856,413 S**
Tanaka et al. (45) **Date of Patent:** **** Aug. 13, 2019**

(54) **PRINTER**

(56) **References Cited**

(71) Applicant: **SEIKO EPSON CORPORATION**,
Tokyo (JP)

U.S. PATENT DOCUMENTS

(72) Inventors: **Yoshiyuki Tanaka**, Matsumoto (JP);
Hideki Kato, Matsumoto (JP); **Kenji Oshima**, Nagano (JP); **Takao Oizumi**,
Matsumoto (JP); **Matt Delegate**,
London (GB); **David Keech**, London
(GB)

D749,168	S	*	2/2016	Nakagawa	D18/50
D815,196	S	*	4/2018	Tanaka	D18/50
D818,533	S	*	5/2018	Su	D18/55
D826,318	S	*	8/2018	Brown	D18/50
D827,706	S	*	9/2018	Clark, III	D18/50
D839,342	S	*	1/2019	Higuchi	D18/50
D841,085	S	*	2/2019	Higuchi	D18/50
2018/0178567	A1	*	6/2018	Takabayashi	B41J 2/17509
2018/0278775	A1	*	9/2018	Oizumi	H04N 1/00602

(73) Assignee: **SEIKO EPSON CORPORATION**,
Tokyo (JP)

OTHER PUBLICATIONS

(**) Term: **15 Years**

Restriction Requirement dated Sep. 29, 2017 in Design U.S. Appl. No. 29/569,897.

(21) Appl. No.: **29/677,499**

* cited by examiner

(22) Filed: **Jan. 22, 2019**

Primary Examiner — Robin V Webster
Assistant Examiner — J. Thorn, Sr.

Related U.S. Application Data

(60) Continuation of application No. 29/630,954, filed on Dec. 26, 2017, now Pat. No. Des. 843,444, which is a division of application No. 29/569,897, filed on Jul. 1, 2016, now Pat. No. Des. 815,196.

(57) **CLAIM**

The ornamental design for a printer, as shown and described.

(30) **Foreign Application Priority Data**

Jan. 15, 2016 (JP) 2016-000649
Jan. 15, 2016 (JP) 2016-000650

DESCRIPTION

(51) **LOC (12) Cl.** **14-02**

(52) **U.S. Cl.**
USPC **D18/50; D18/55**

(58) **Field of Classification Search**
USPC D18/50, 36-37, 55, 39, 54; D14/421
CPC . B41J 15/042; B41J 11/58; B41J 11/00; B41J
15/42; B41J 15/00; B41J 15/12; G03G
21/1633; G06K 15/12

FIG. 1 is a front, top and right side perspective view of a printer showing our new design;
FIG. 2 is a rear, top and left side perspective view thereof;
FIG. 3 is a front view thereof;
FIG. 4 is a rear view thereof;
FIG. 5 is a top plan view thereof;
FIG. 6 is a bottom plan view thereof;
FIG. 7 is a right side view thereof; and,
FIG. 8 is a left side view thereof.
The broken lines illustrate portions of the printer and form no part of the claimed design.

See application file for complete search history.

1 Claim, 8 Drawing Sheets

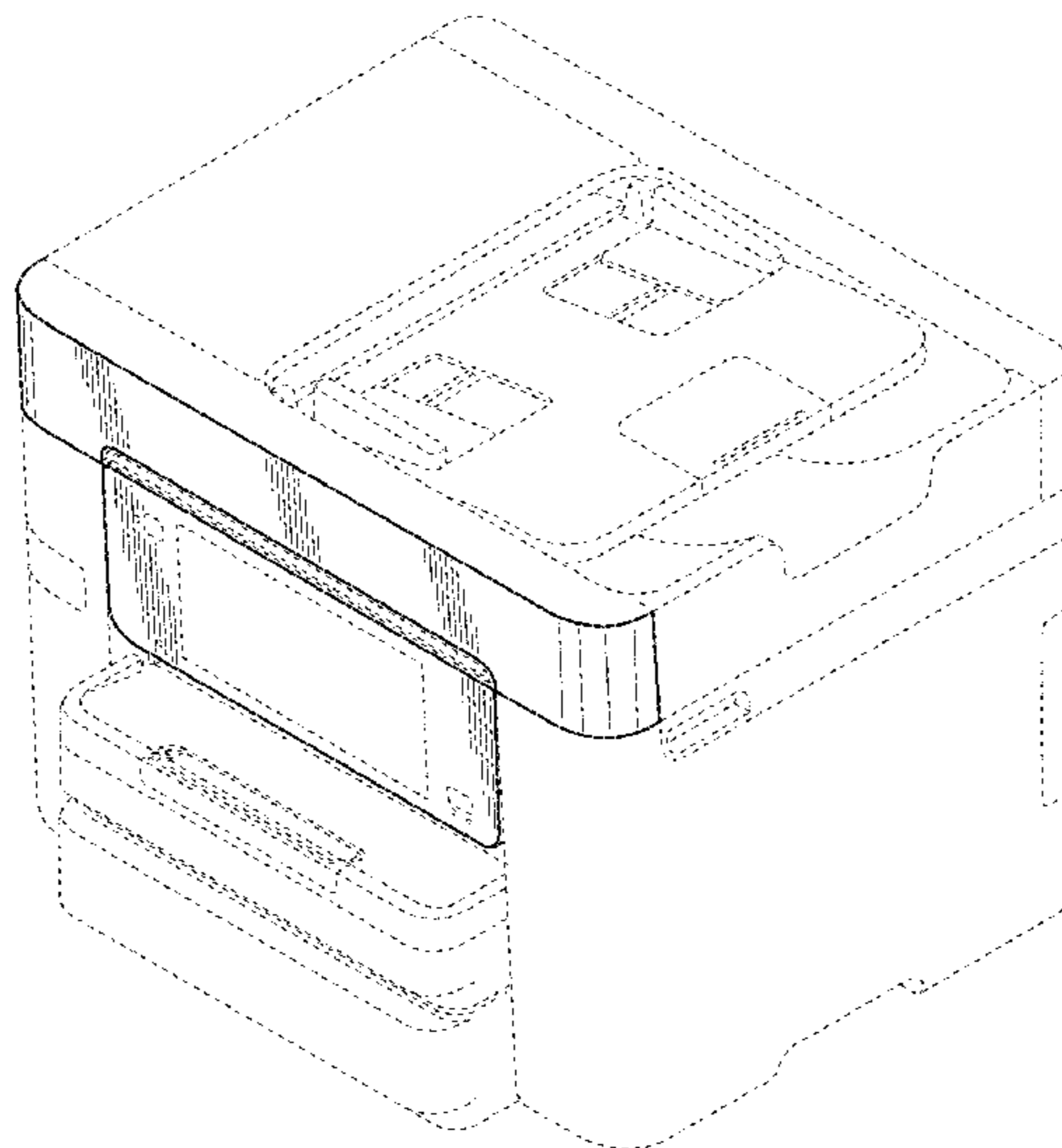


FIG. 1

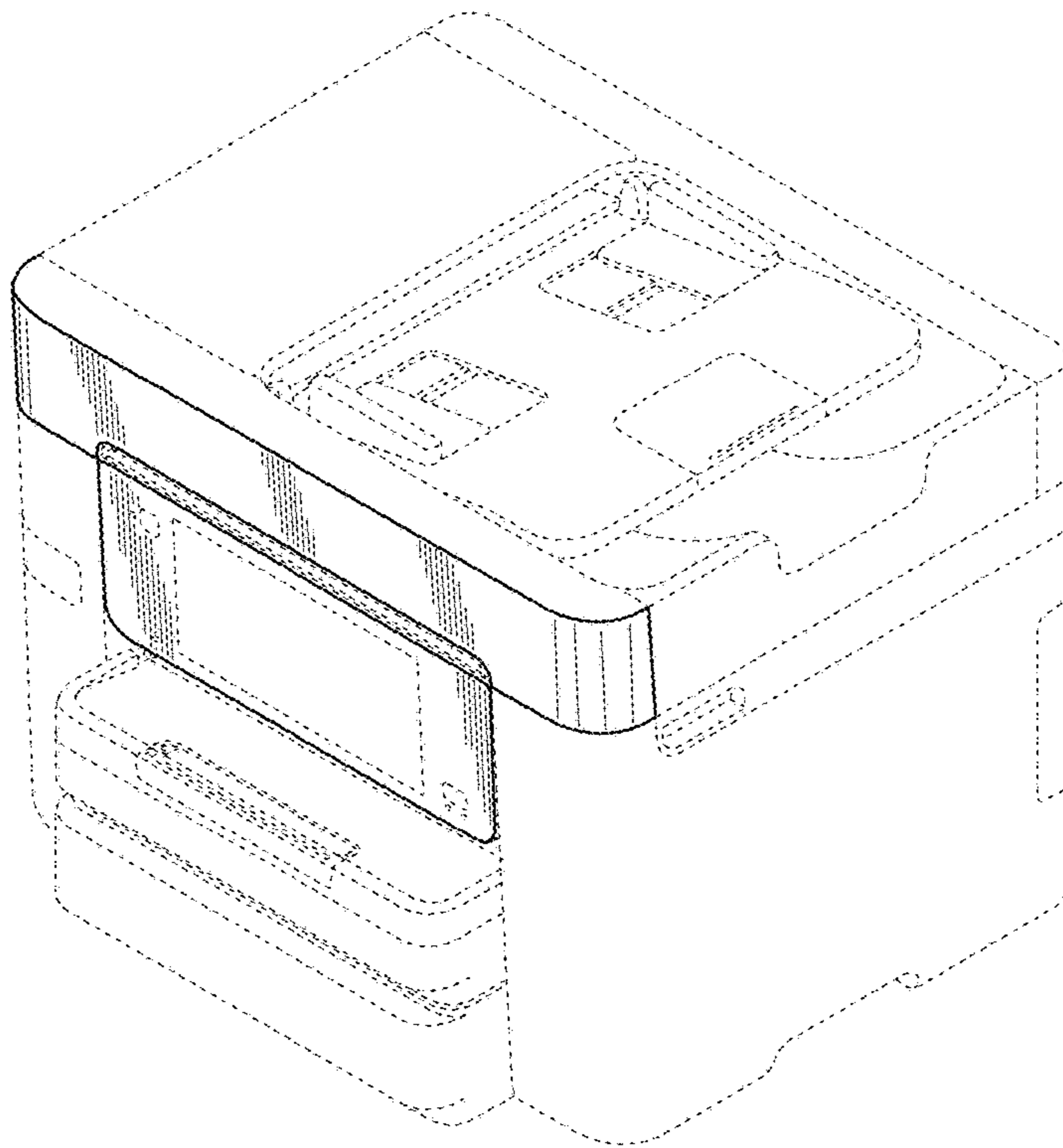


FIG. 2

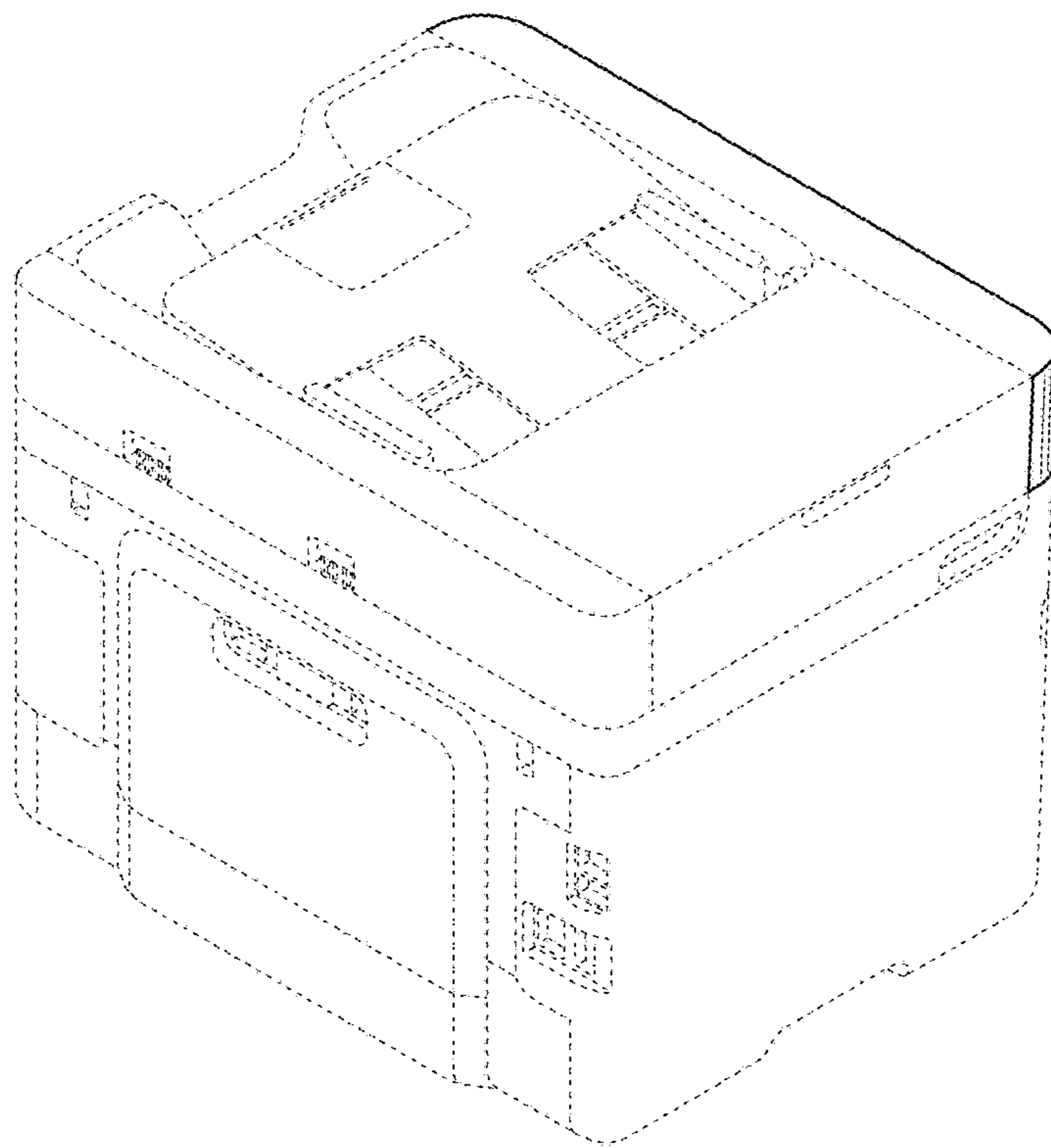


FIG. 3

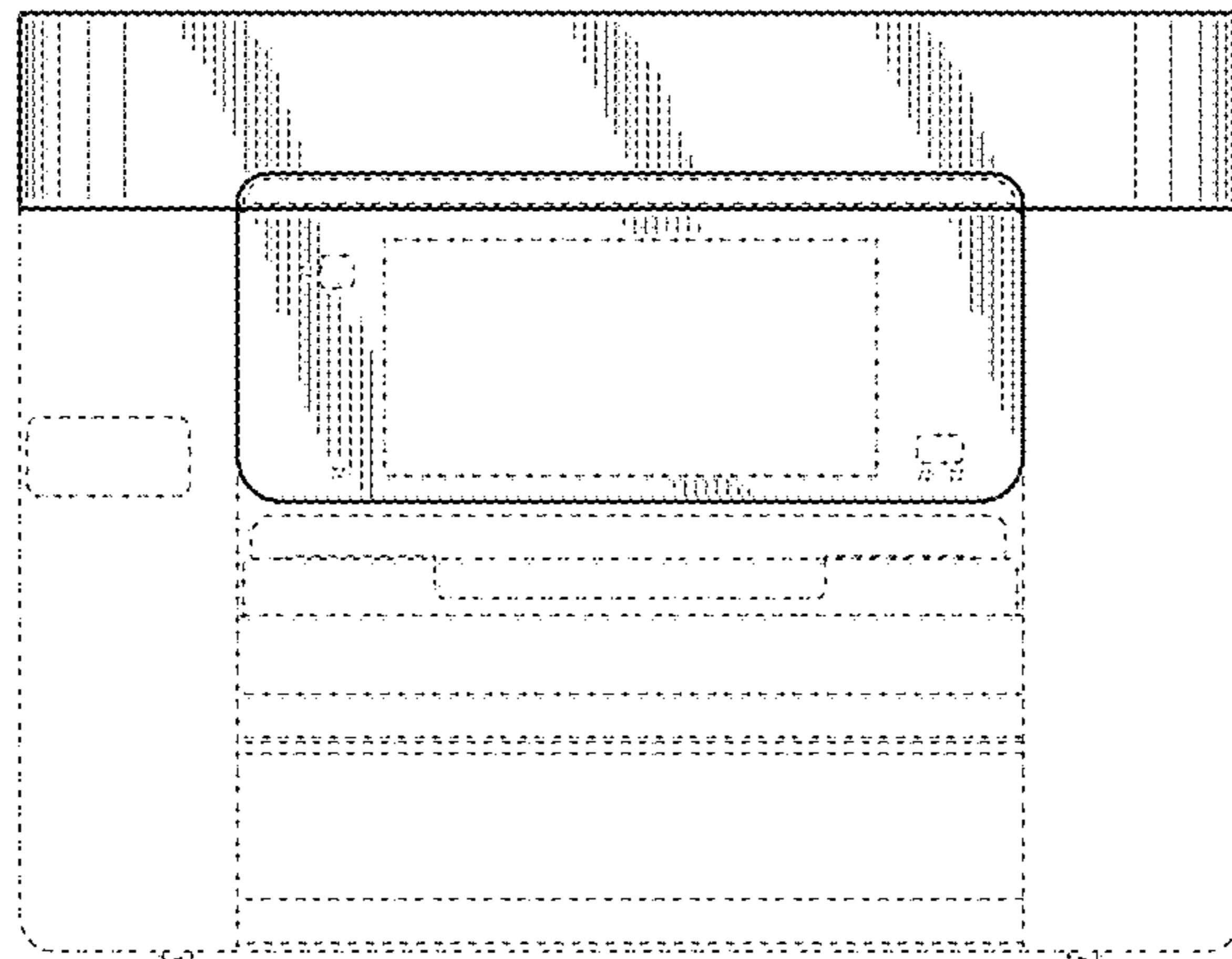


FIG. 4

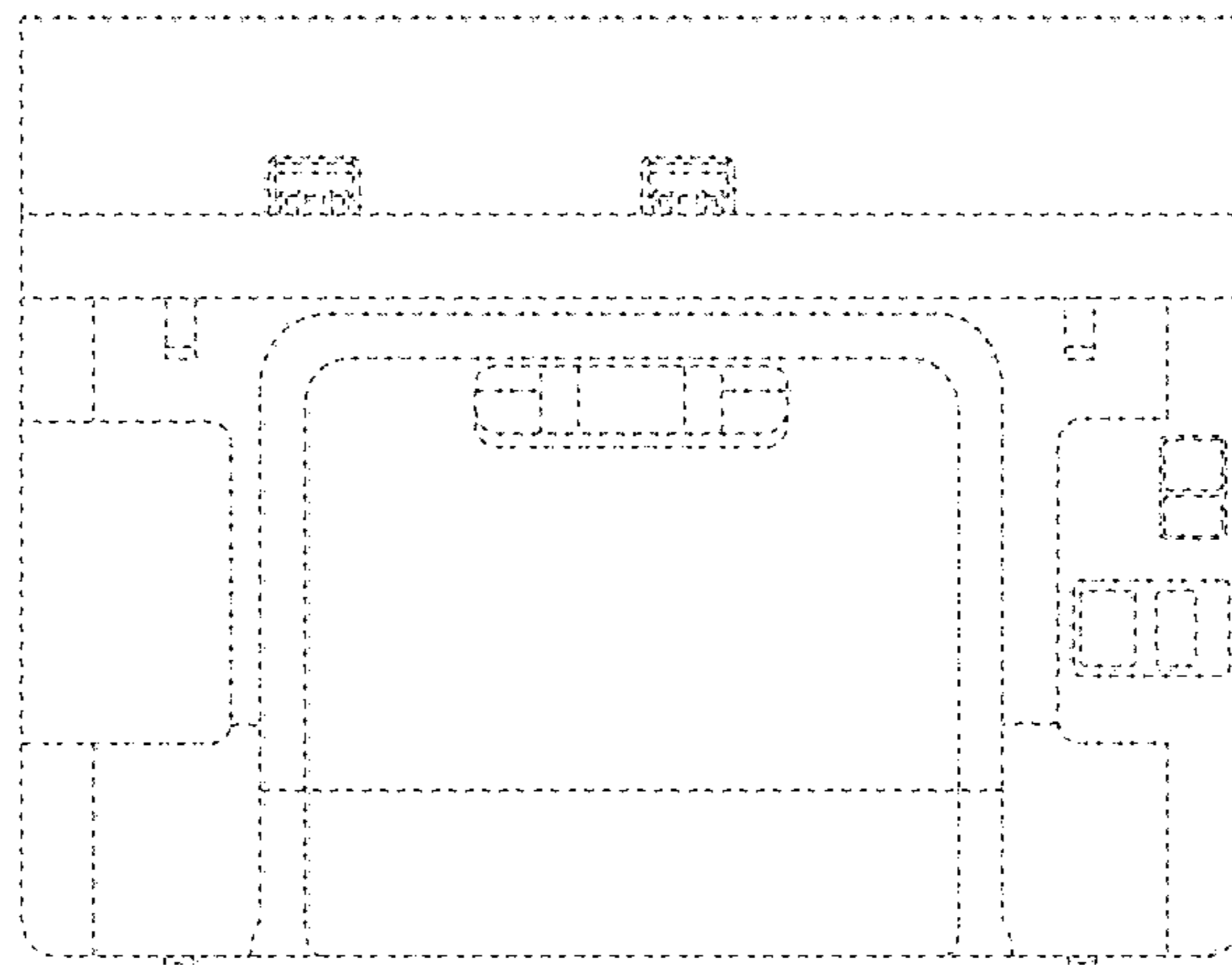


FIG. 5

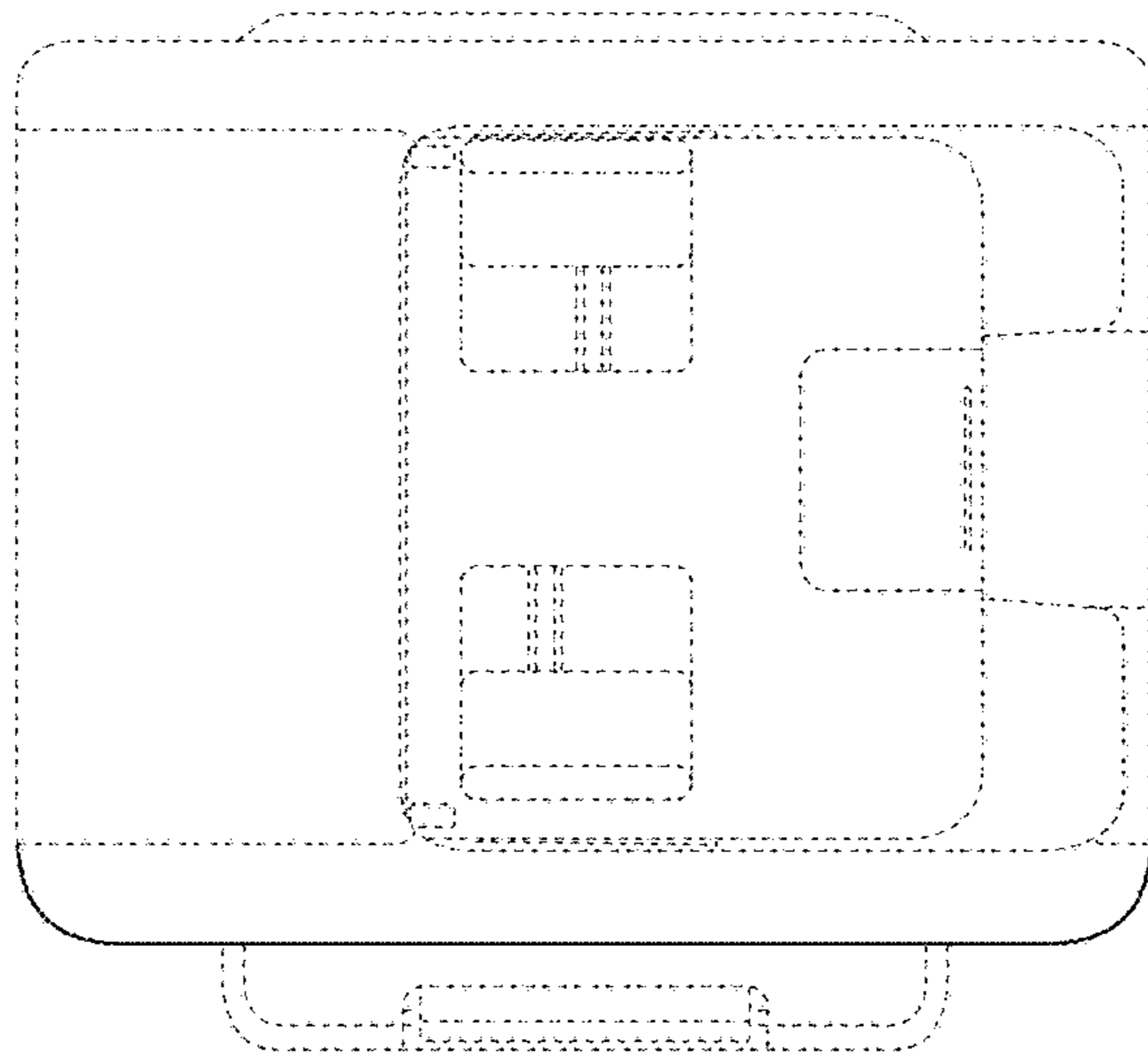


FIG. 6

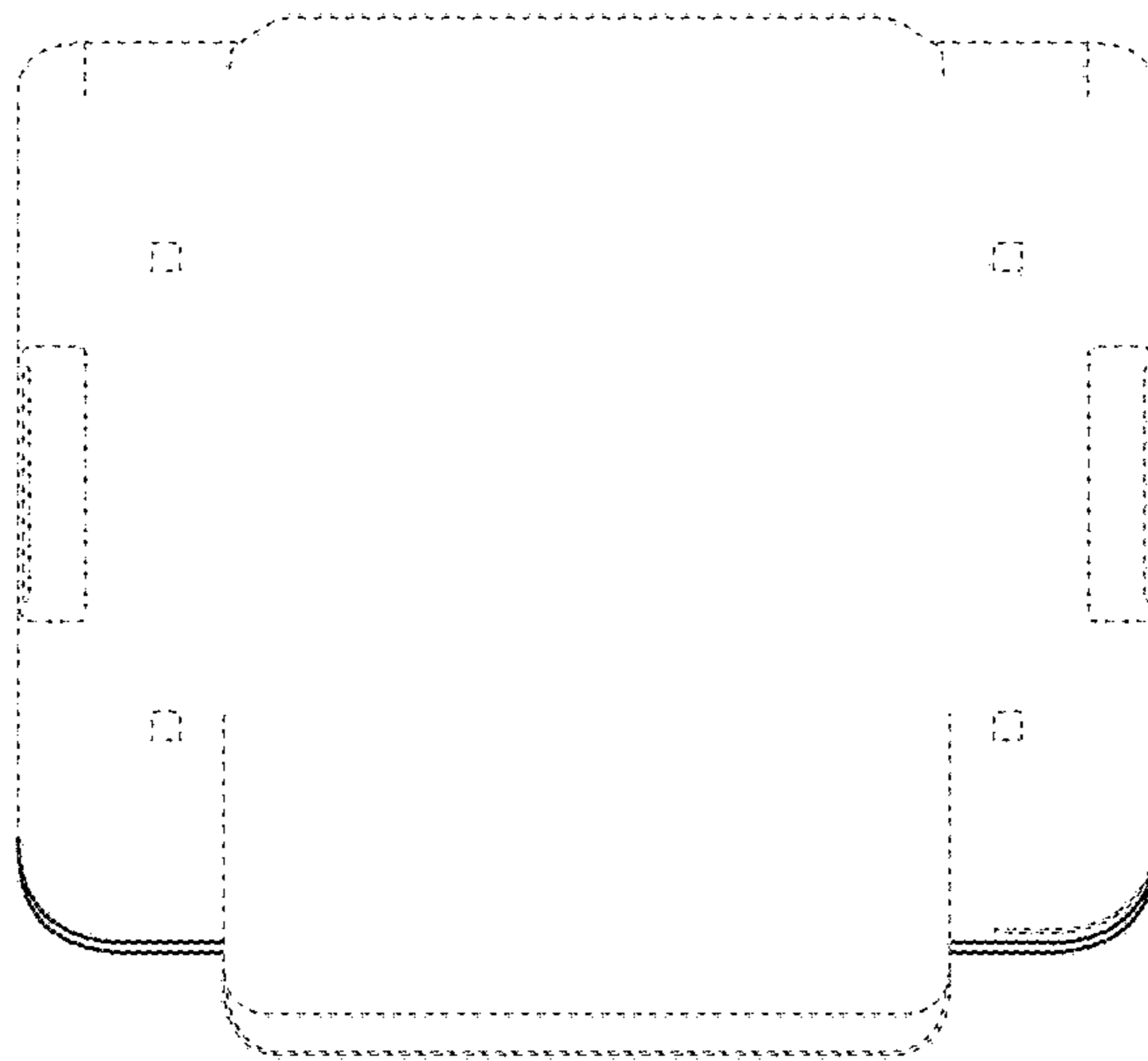


FIG. 7

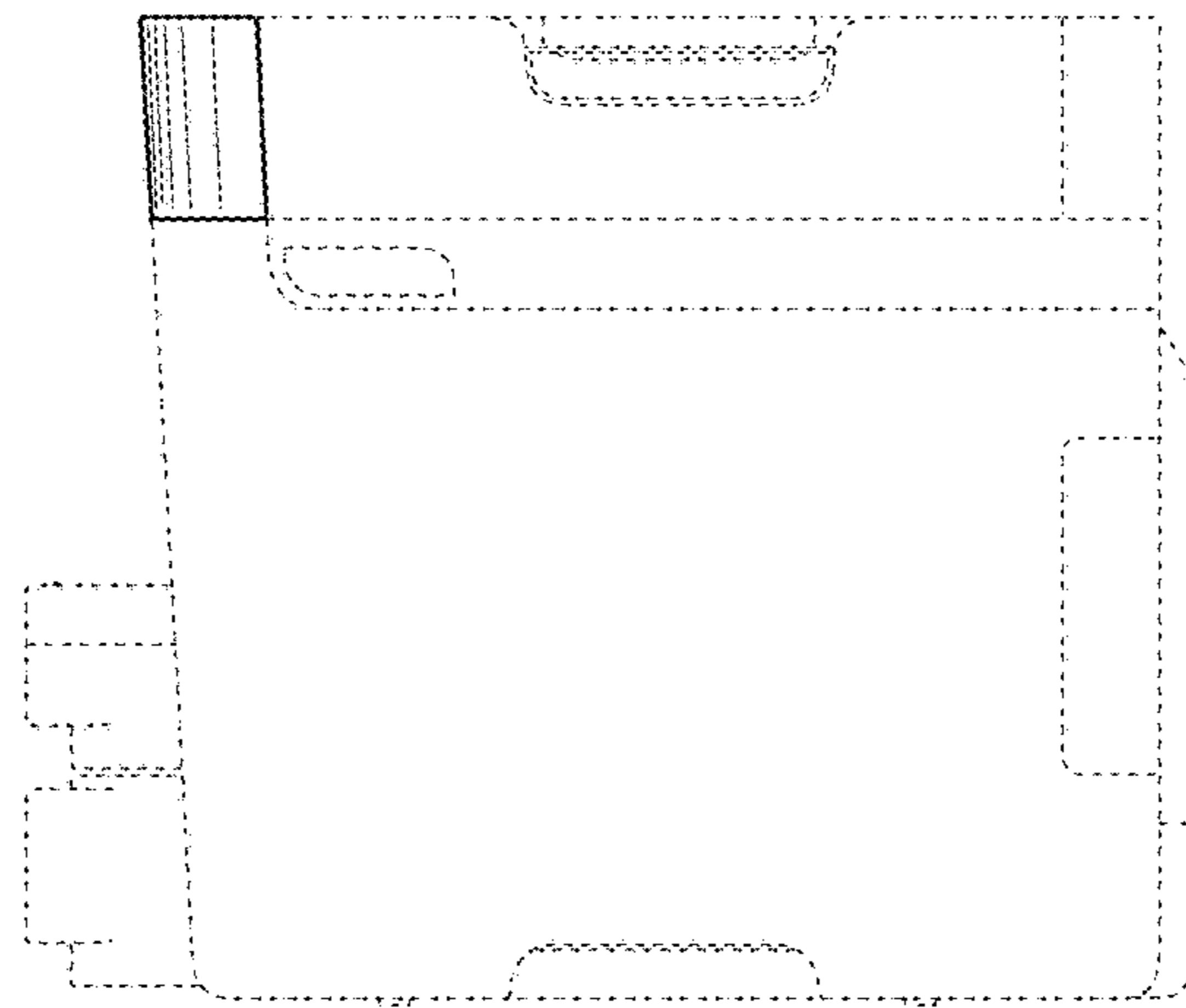


FIG. 8

