



US00D856412S

(12) **United States Design Patent** (10) **Patent No.:** **US D856,412 S**
Higuchi et al. (45) **Date of Patent:** **** Aug. 13, 2019**

(54) **PRINTER**

- (71) Applicant: **SEIKO EPSON CORPORATION**,
Tokyo (JP)
- (72) Inventors: **Tomoyuki Higuchi**, Shiojiri (JP); **Koji Kawai**, Shiojiri (JP); **Hideki Kato**,
Matsumoto (JP); **Matt Delegate**,
London (GB); **Kazunori Takabayashi**,
Okaya (JP)
- (73) Assignee: **SEIKO EPSON CORPORATION**,
Tokyo (JP)
- (**) Term: **15 Years**
- (21) Appl. No.: **29/674,171**
- (22) Filed: **Dec. 20, 2018**

Related U.S. Application Data

- (63) Continuation of application No. 29/605,646, filed on
May 29, 2017, now Pat. No. Des. 841,085.

(30) **Foreign Application Priority Data**

- Nov. 30, 2016 (JP) 2016-025934
 Nov. 30, 2016 (JP) 2016-025935
 Feb. 7, 2017 (JP) 2017-002126

- (51) **LOC (12) Cl.** **14-02**
 (52) **U.S. Cl.**
 USPC **D18/50**

(58) **Field of Classification Search**

- USPC D18/50, 36-37, 55, 39, 54; D14/421
 CPC . B41J 15/042; B41J 11/58; B41J 11/00; B41J
 15/42; B41J 15/00; B41J 15/12; G03G
 21/1633; G06K 15/12

See application file for complete search history.

(56) **References Cited**

U.S. PATENT DOCUMENTS

- D829,276 S * 9/2018 Higuchi D18/50
 D839,342 S * 1/2019 Higuchi D18/50
 2018/0178567 A1 * 6/2018 Takabayashi B41J 2/17509
 2018/0194142 A1 * 7/2018 Tanaka B41J 2/17509

* cited by examiner

Primary Examiner — Robin V Webster

Assistant Examiner — J. Thorn, Sr.

(57) **CLAIM**

The ornamental design for a printer, as shown and described.

DESCRIPTION

FIG. 1 is a front, top and right side perspective view of a first embodiment of a printer showing our new design;
 FIG. 2 is a rear, top and left side perspective view thereof;
 FIG. 3 is a front view thereof;
 FIG. 4 is a rear view thereof;
 FIG. 5 is a top plan view thereof;
 FIG. 6 is a bottom plan view thereof;
 FIG. 7 is a right side view thereof;
 FIG. 8 is a left side view thereof;
 FIG. 9 is a front, top and right side perspective view of a second embodiment of a printer showing our new design;
 FIG. 10 is a rear, top and left side perspective view thereof;
 FIG. 11 is a front view thereof;
 FIG. 12 is a rear view thereof;
 FIG. 13 is a top plan view thereof;
 FIG. 14 is a bottom plan view thereof;
 FIG. 15 is a right side view thereof; and,
 FIG. 16 is a left side view thereof.

The broken lines illustrate portions of the printer and form no part of the claimed design. The dash dotted lines denote the boundaries of the claim and form no part of the claimed design.

1 Claim, 16 Drawing Sheets

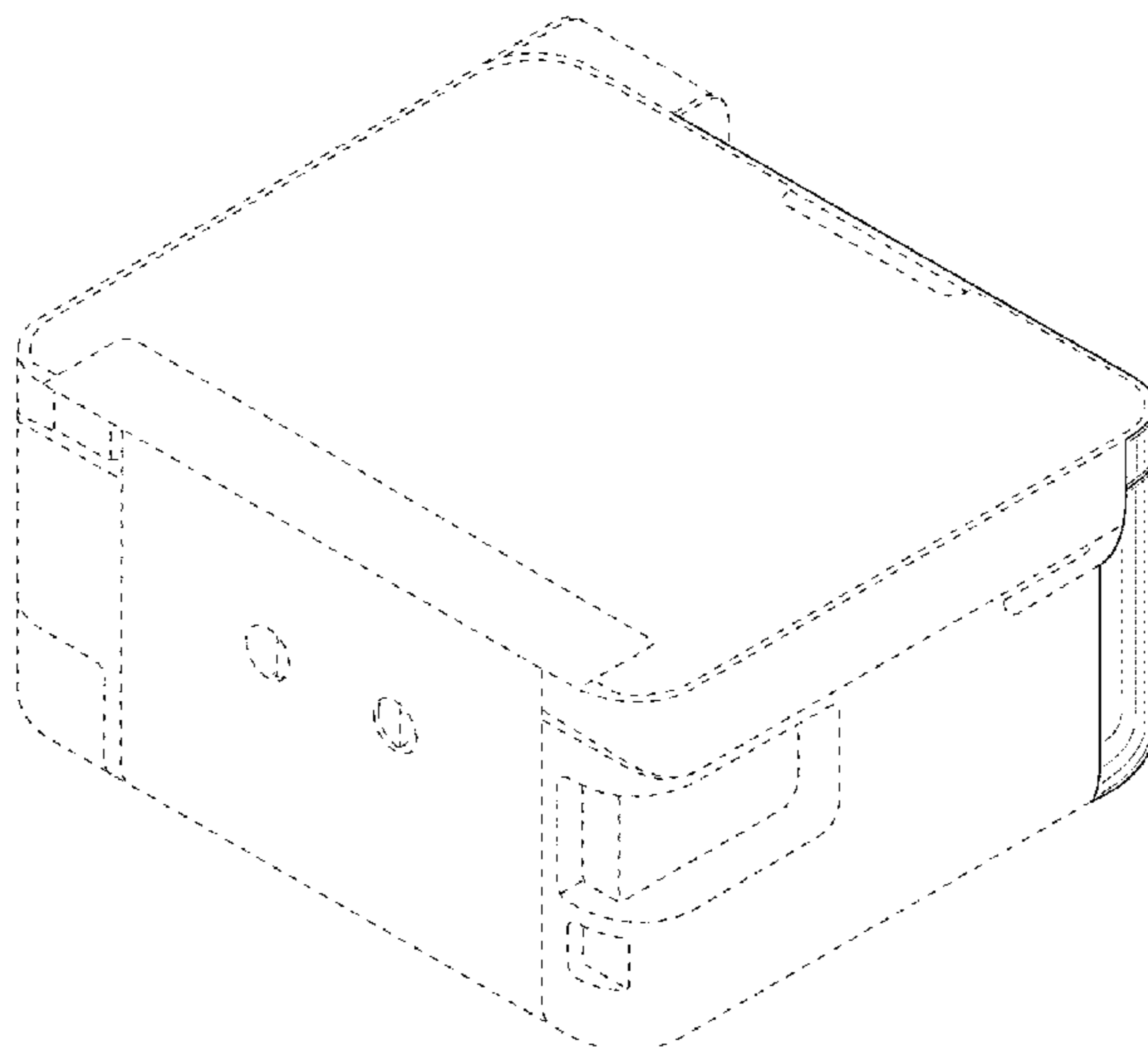


FIG. 1

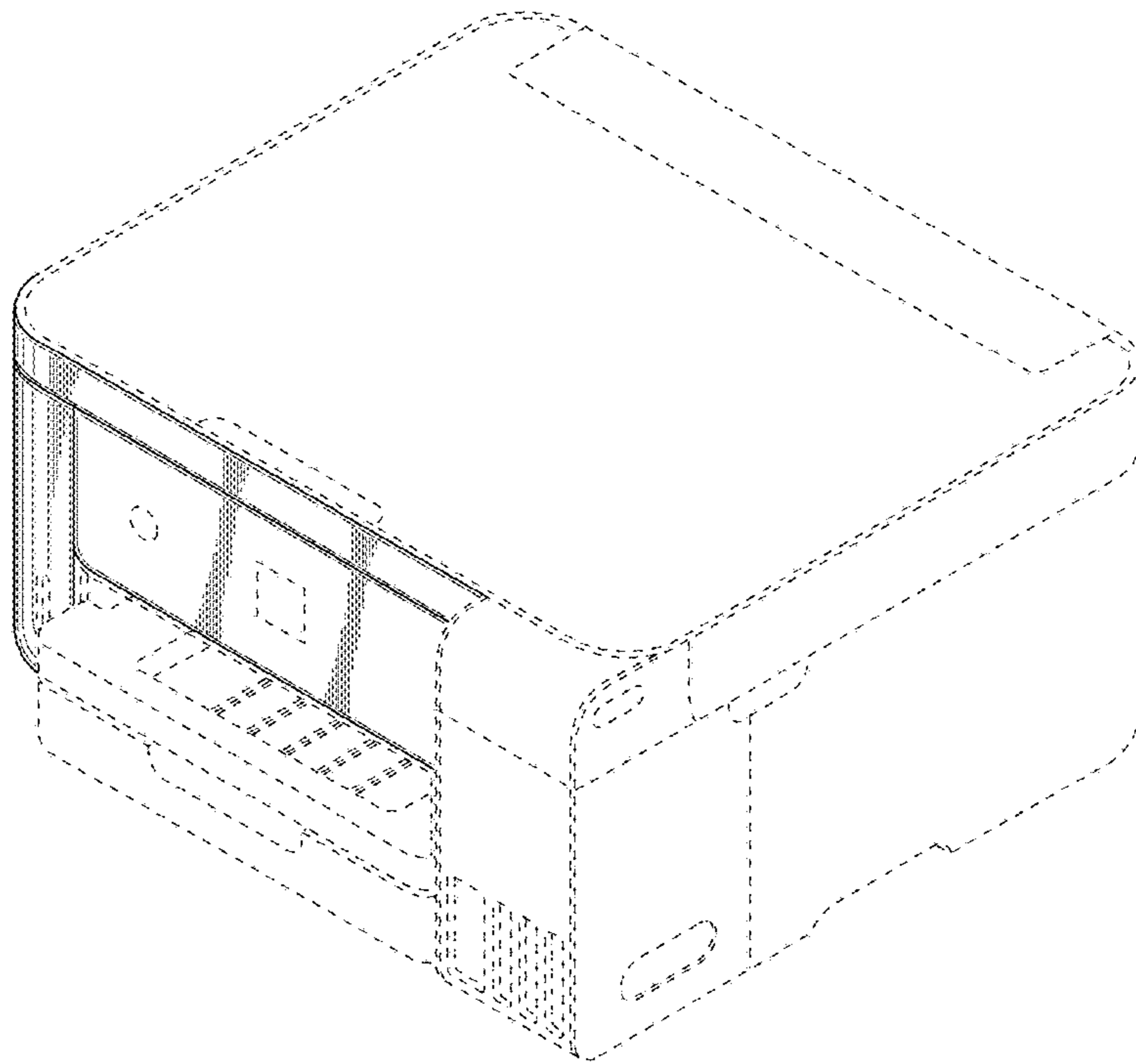


FIG. 2

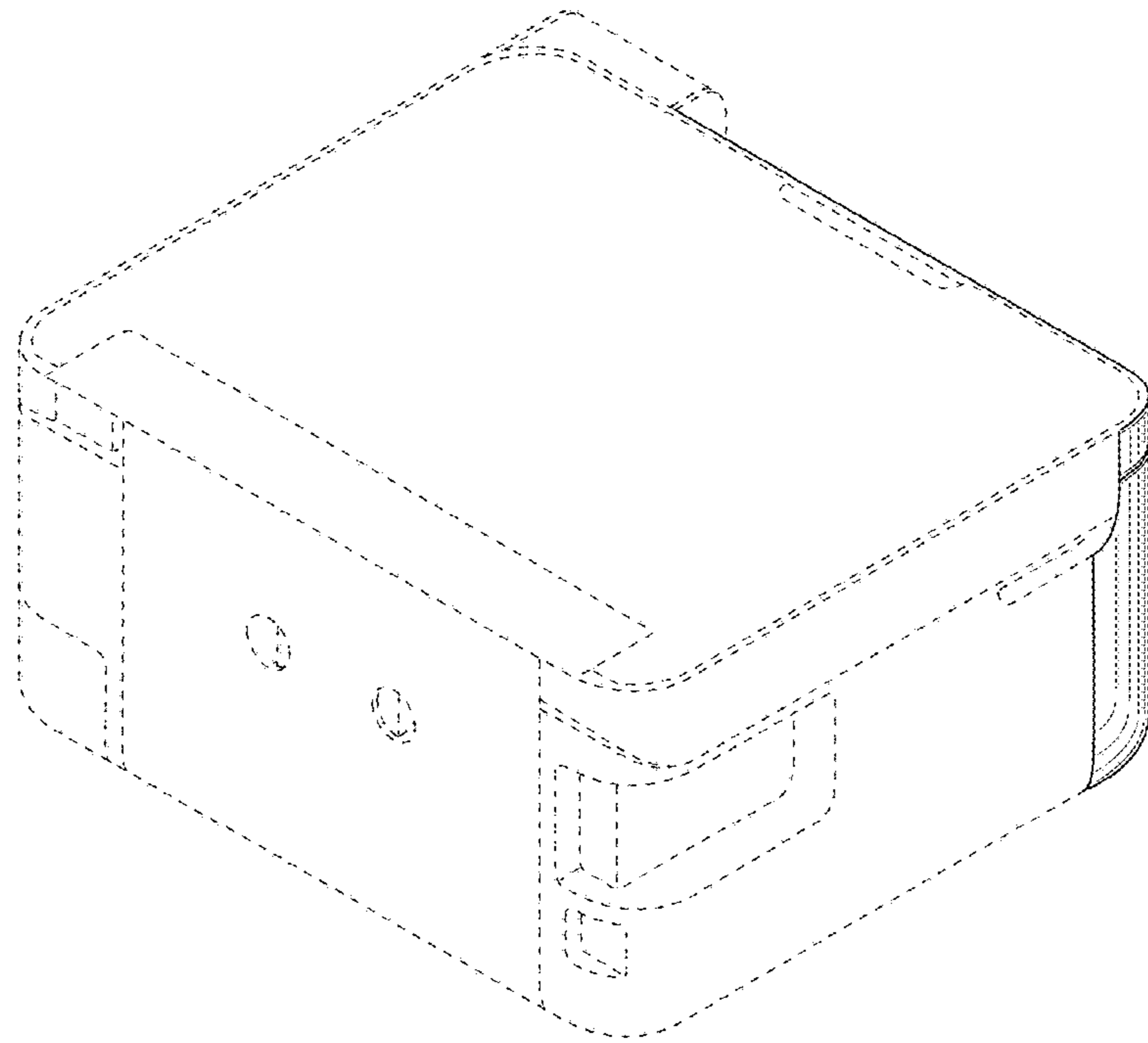


FIG. 3

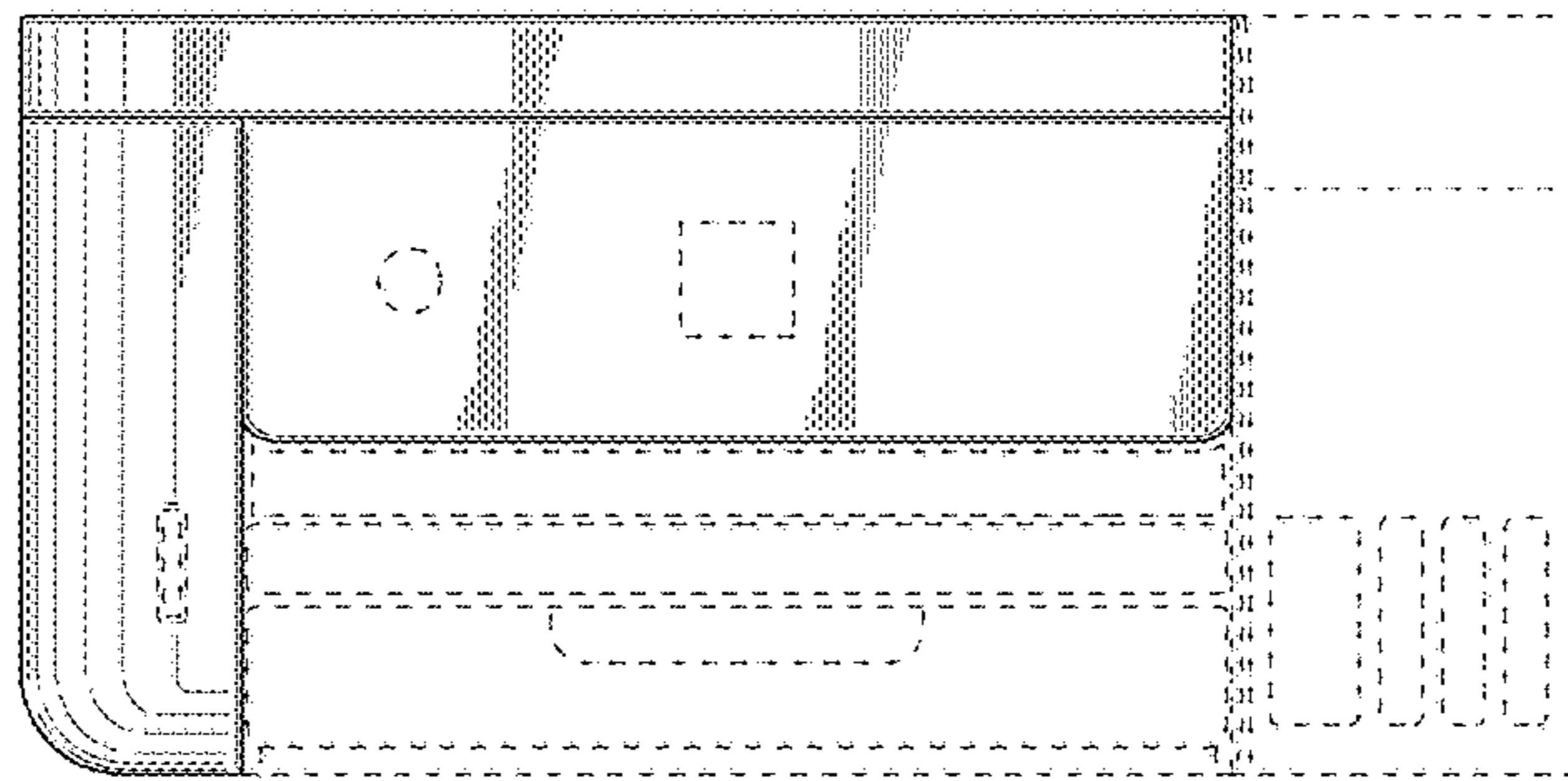


FIG. 4

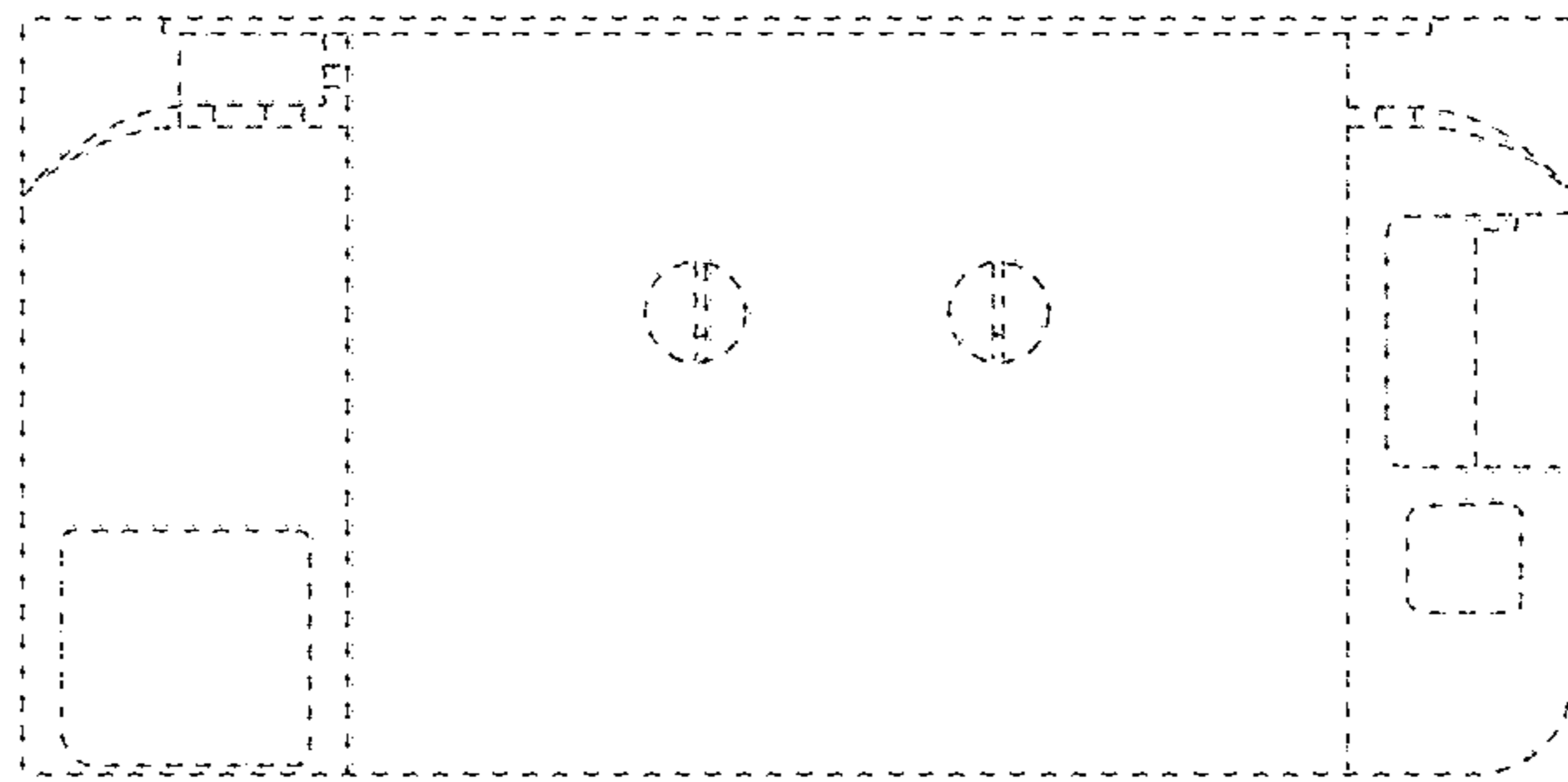


FIG. 5

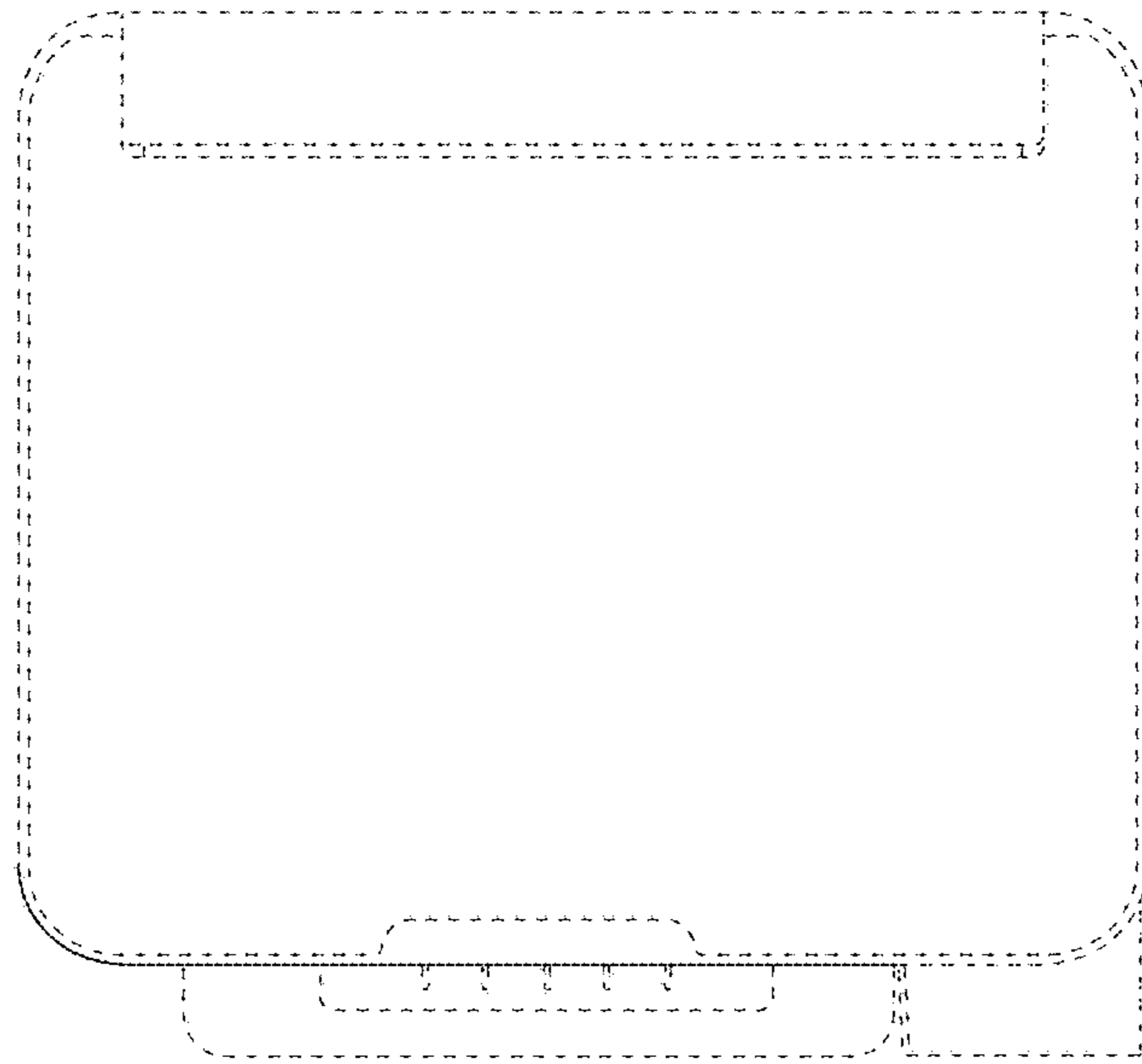


FIG. 6

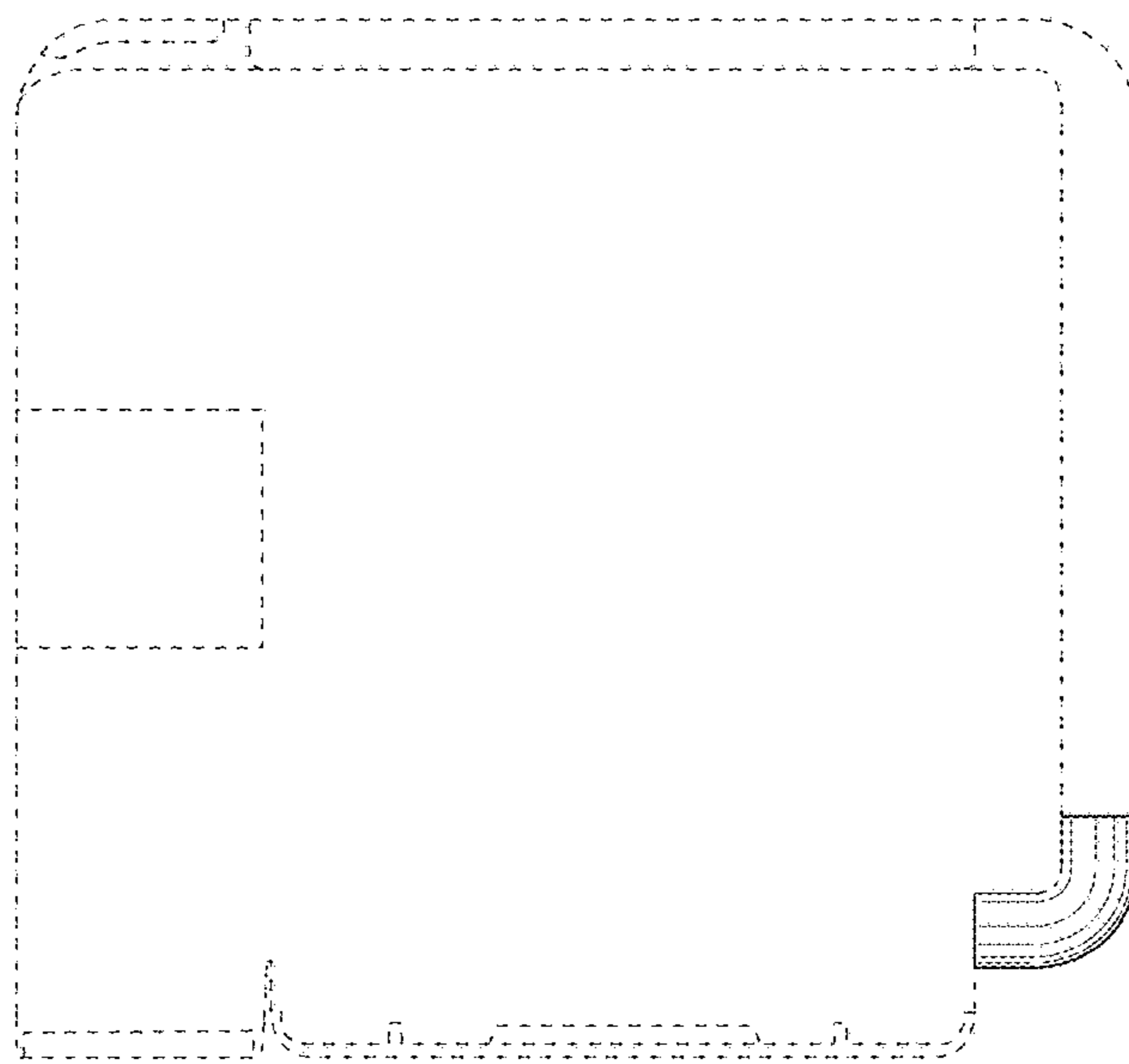


FIG. 7

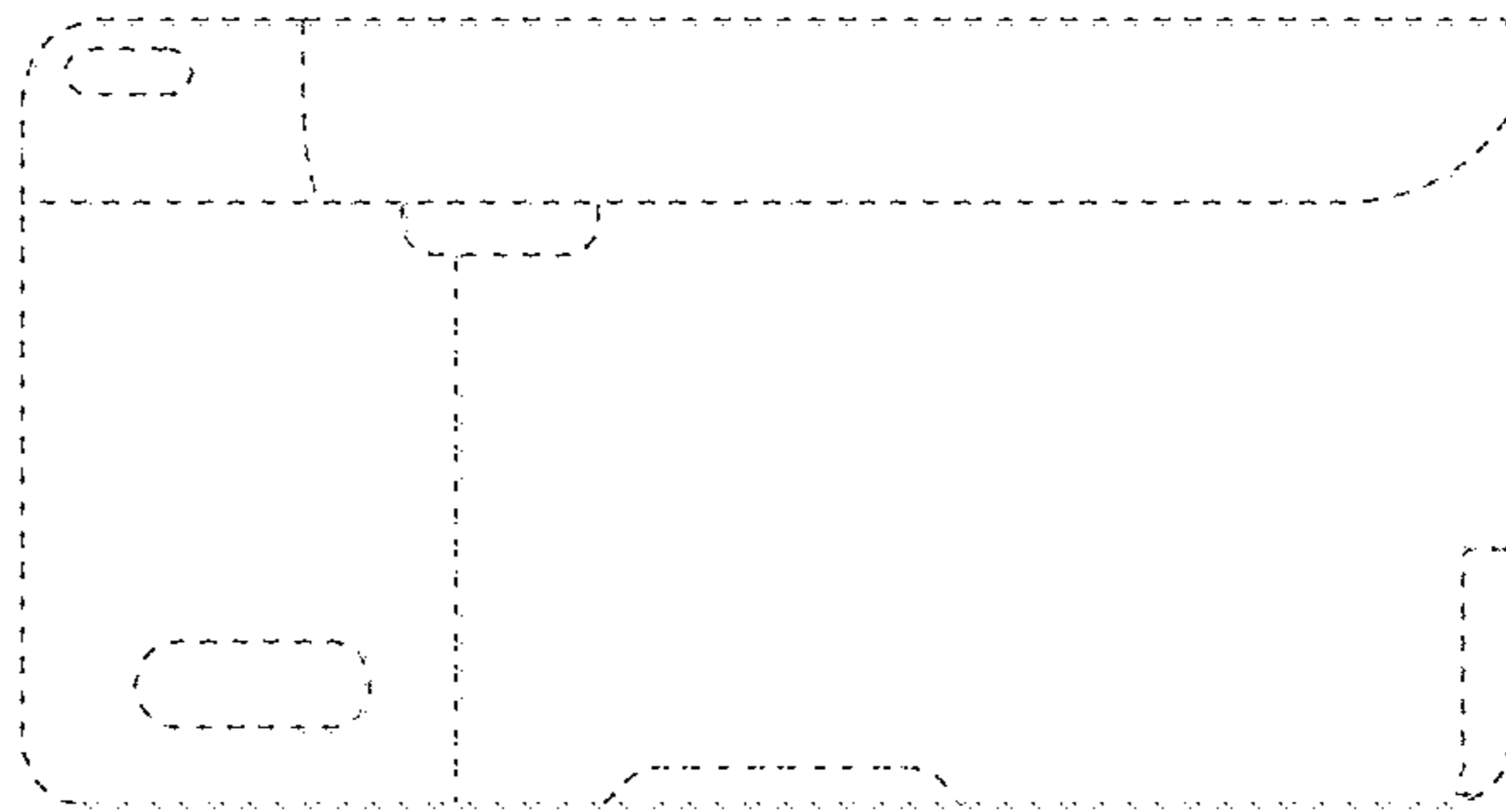


FIG. 8

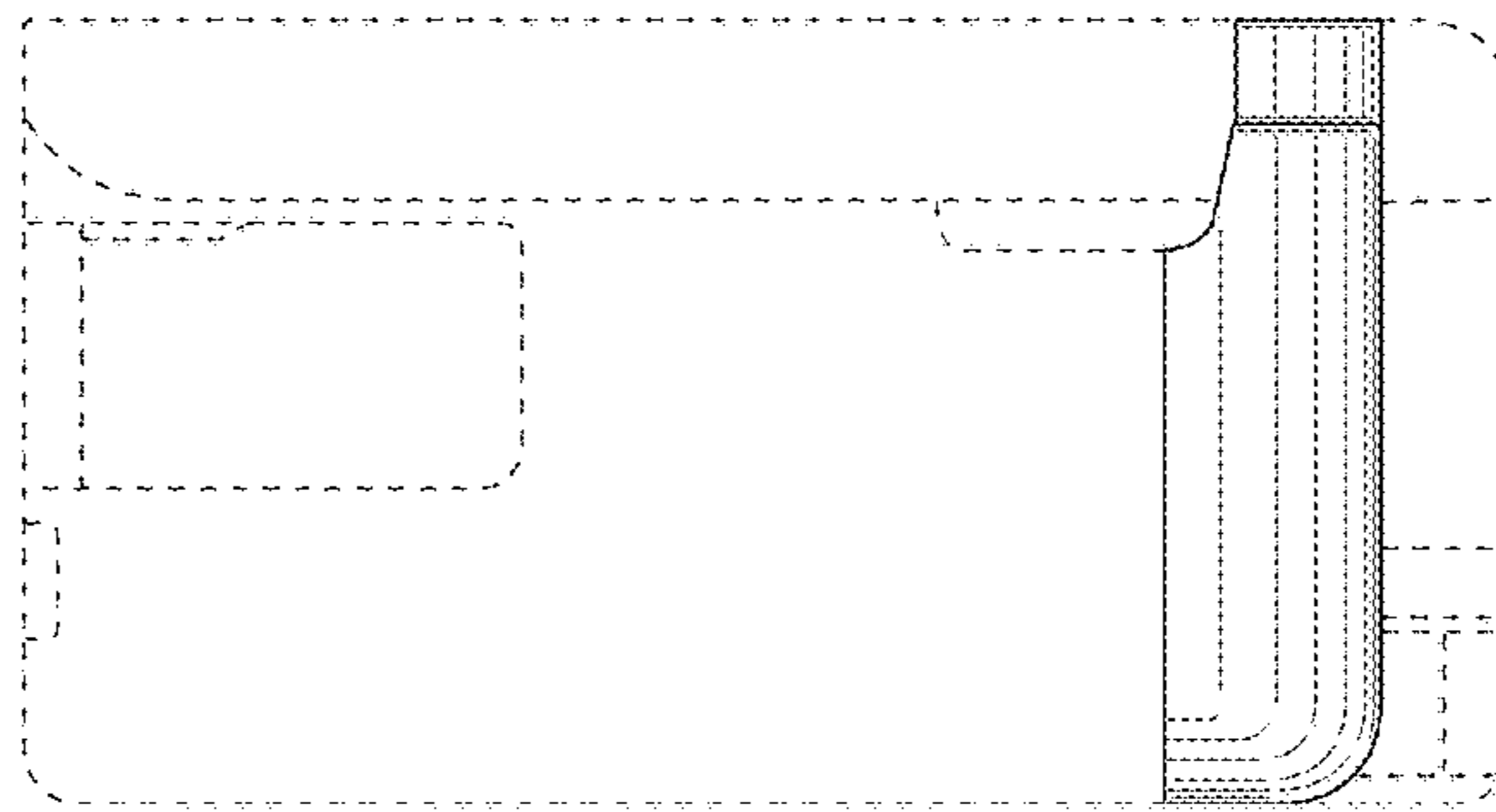


FIG. 9

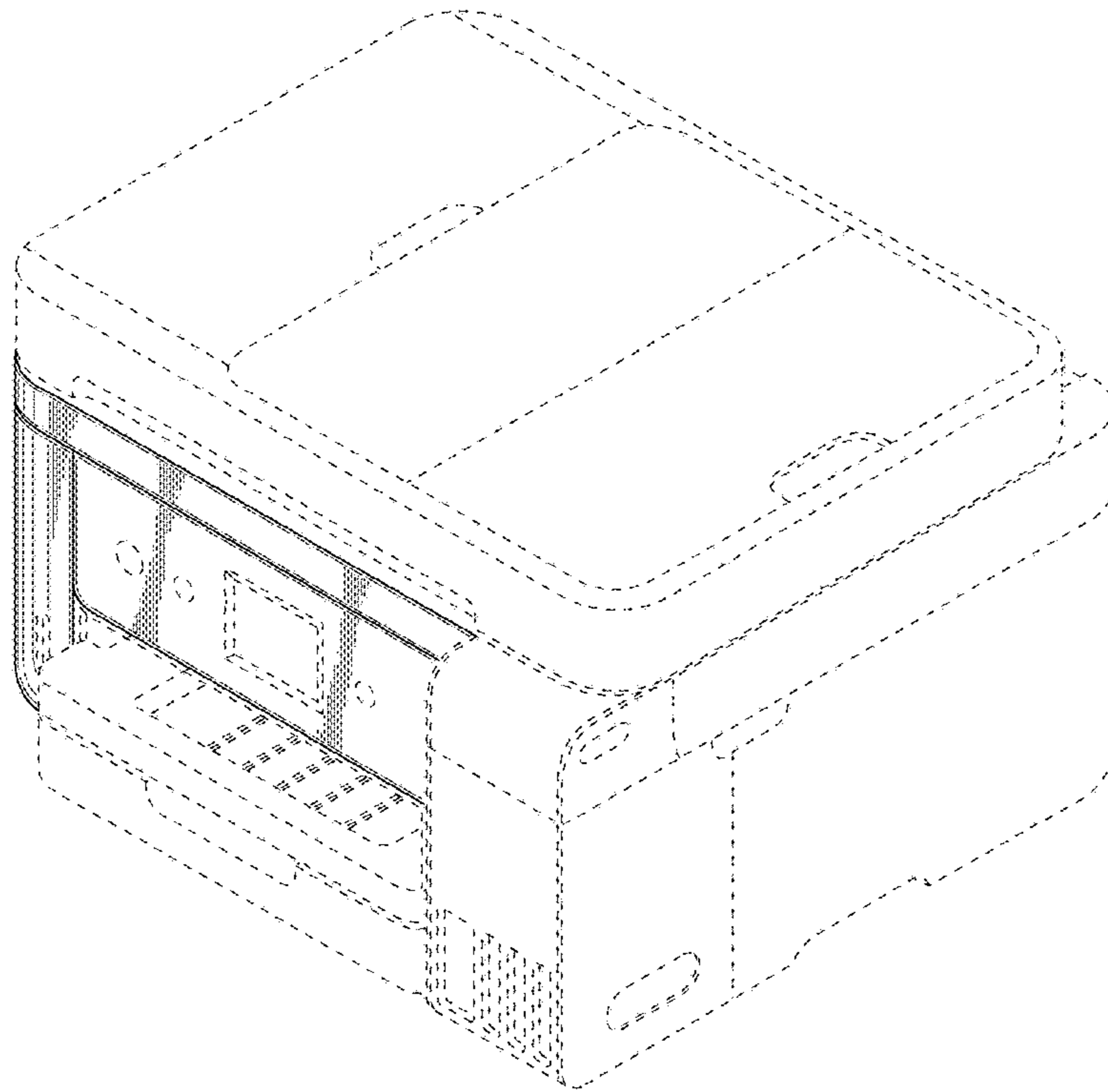


FIG. 10

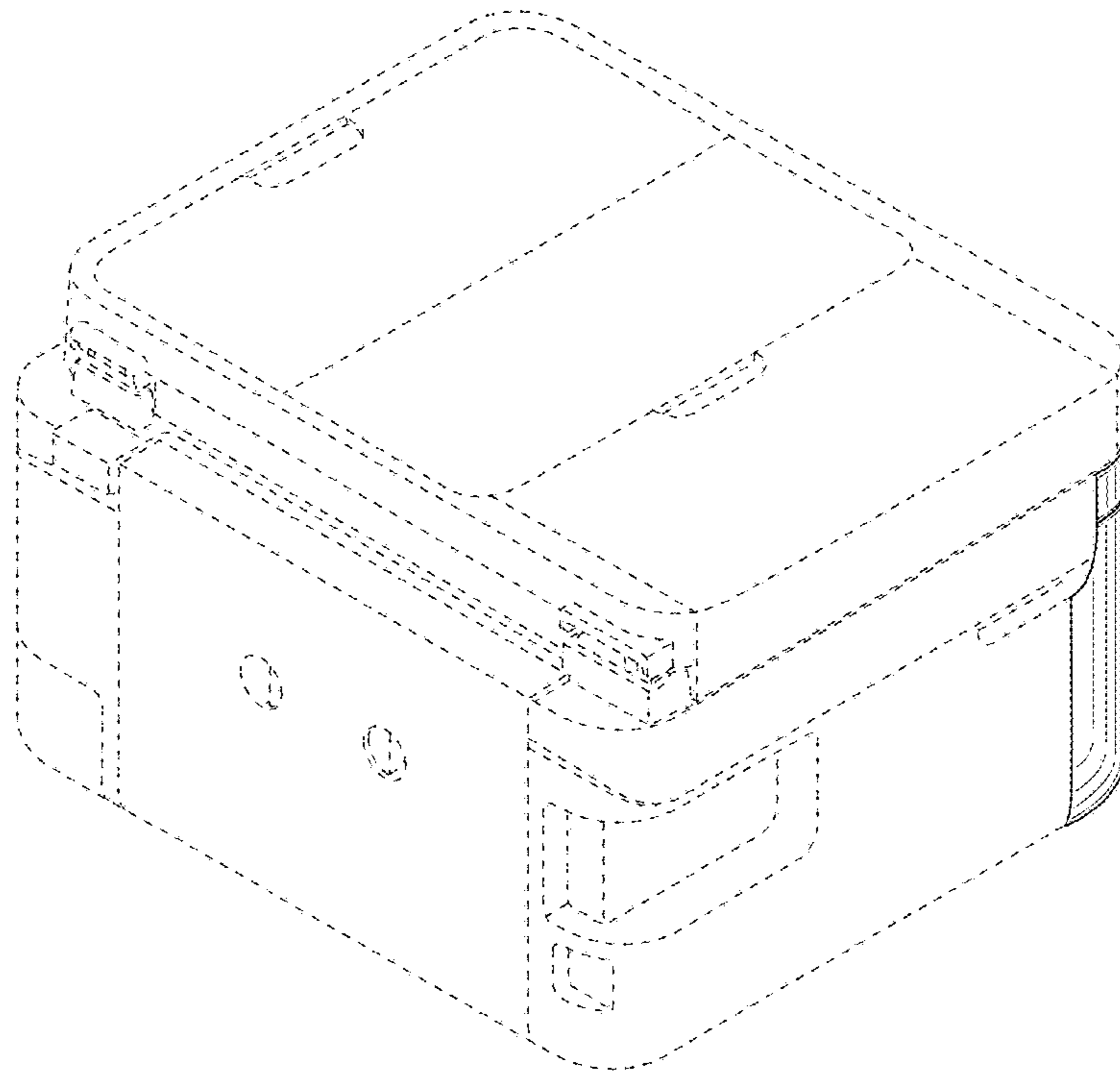


FIG. 11

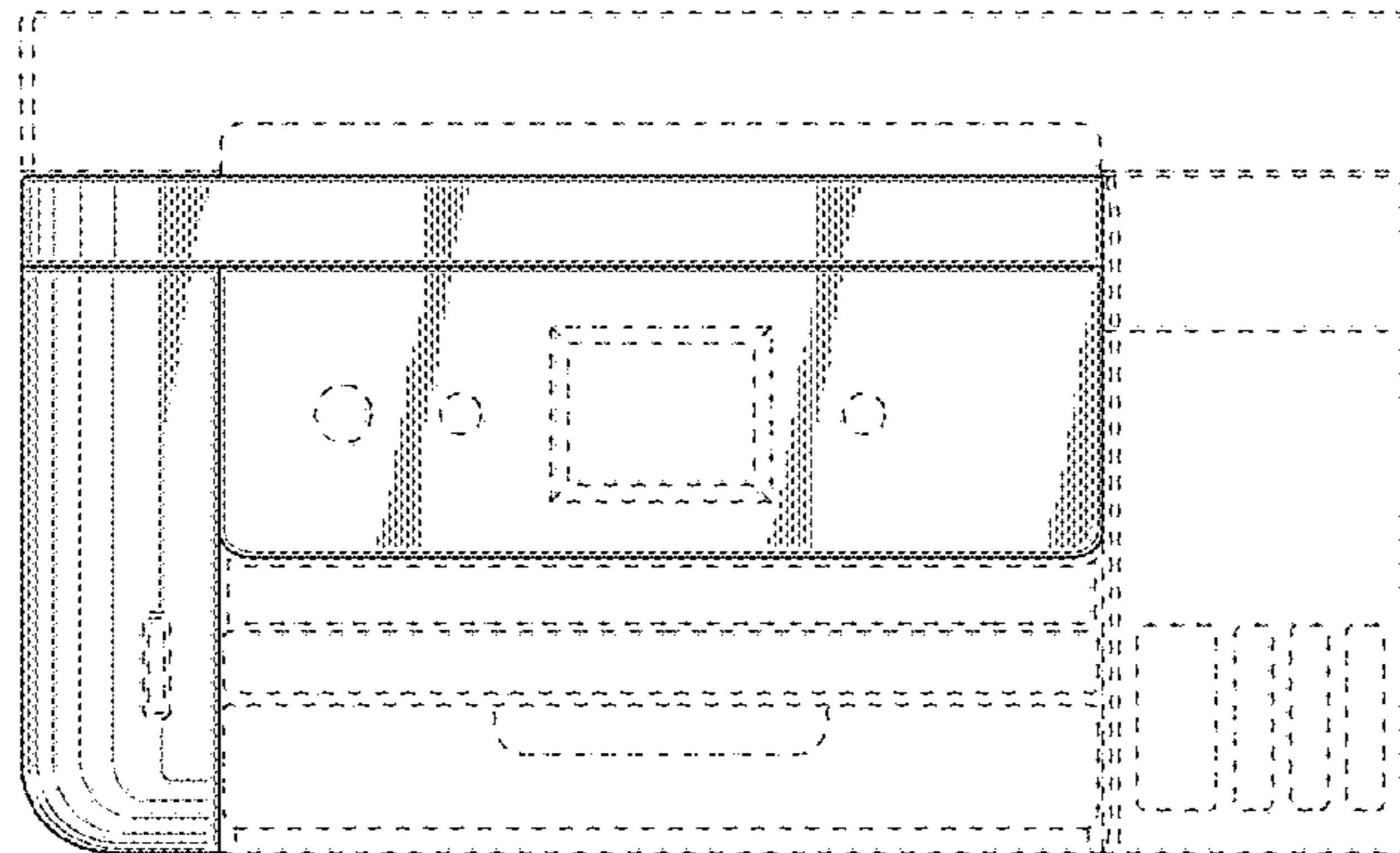


FIG. 12

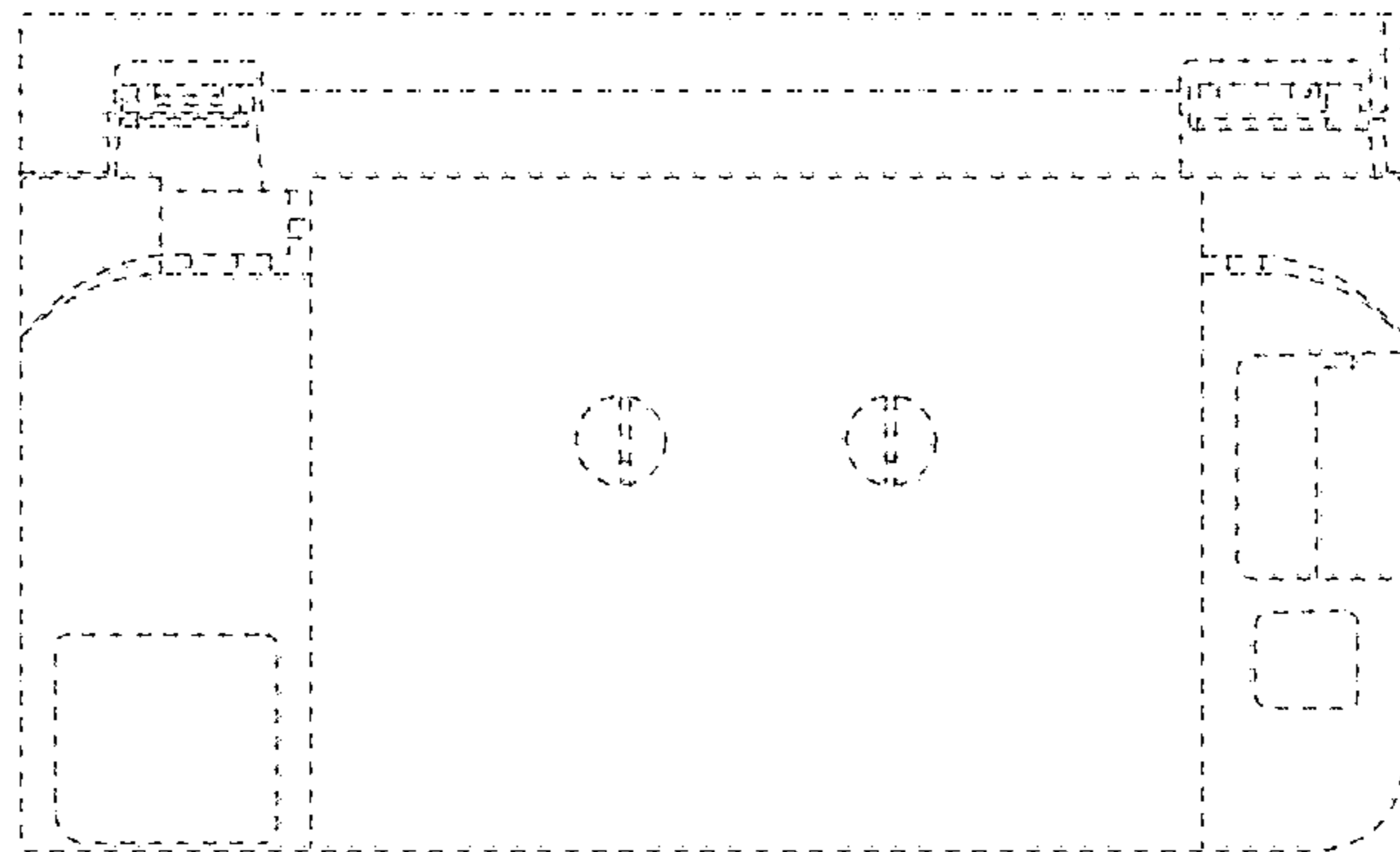


FIG. 13

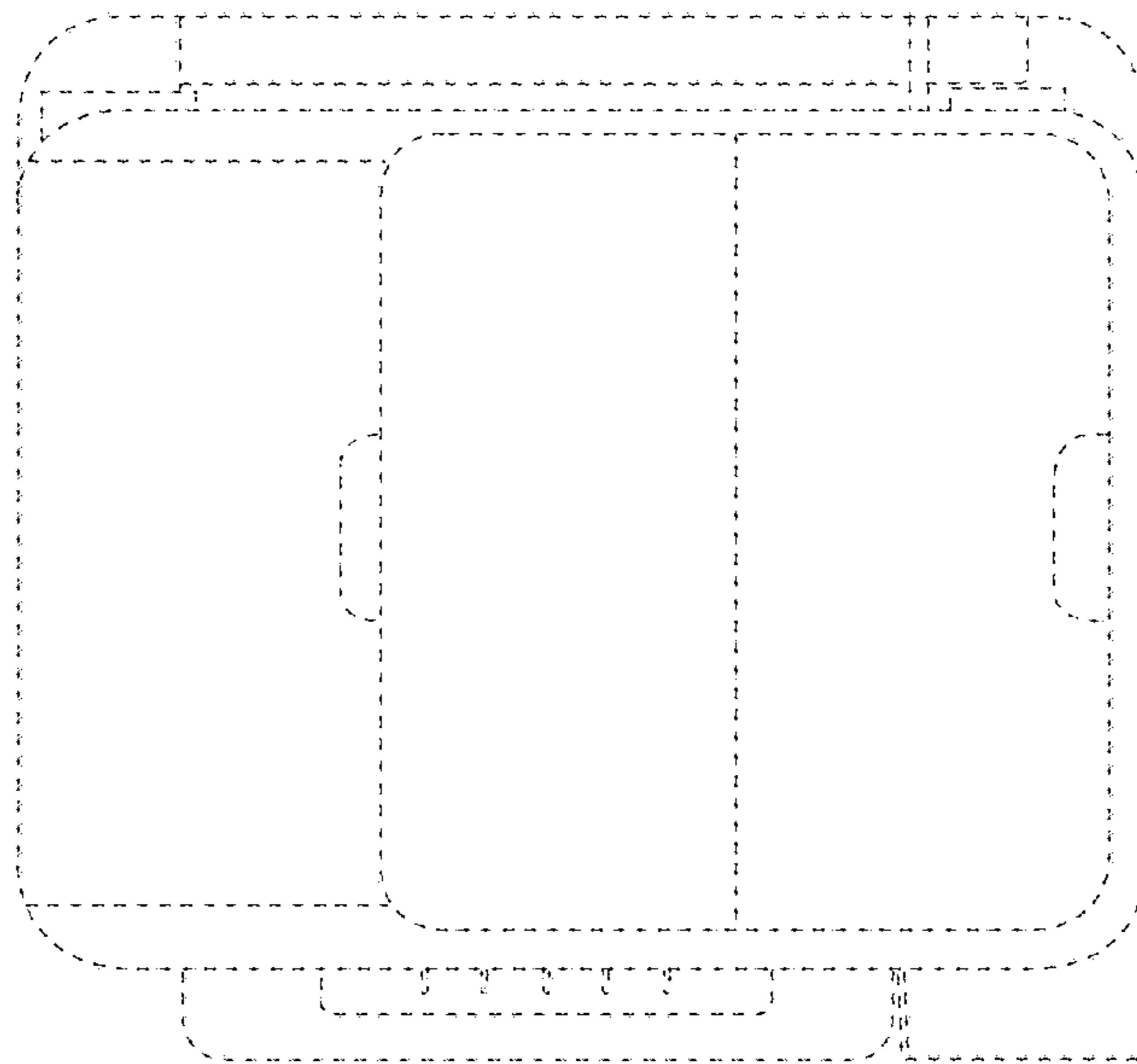


FIG. 14

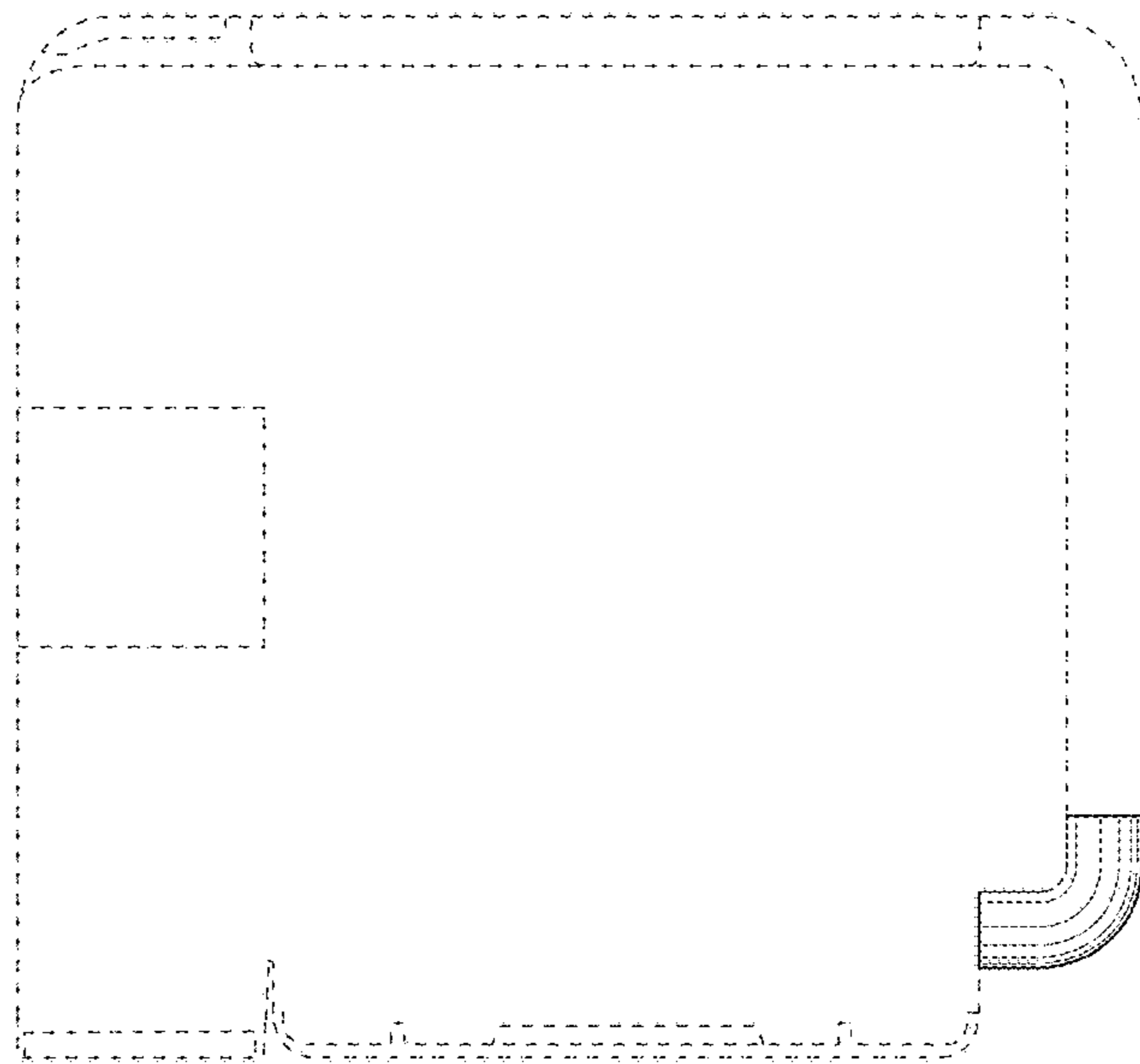


FIG. 15

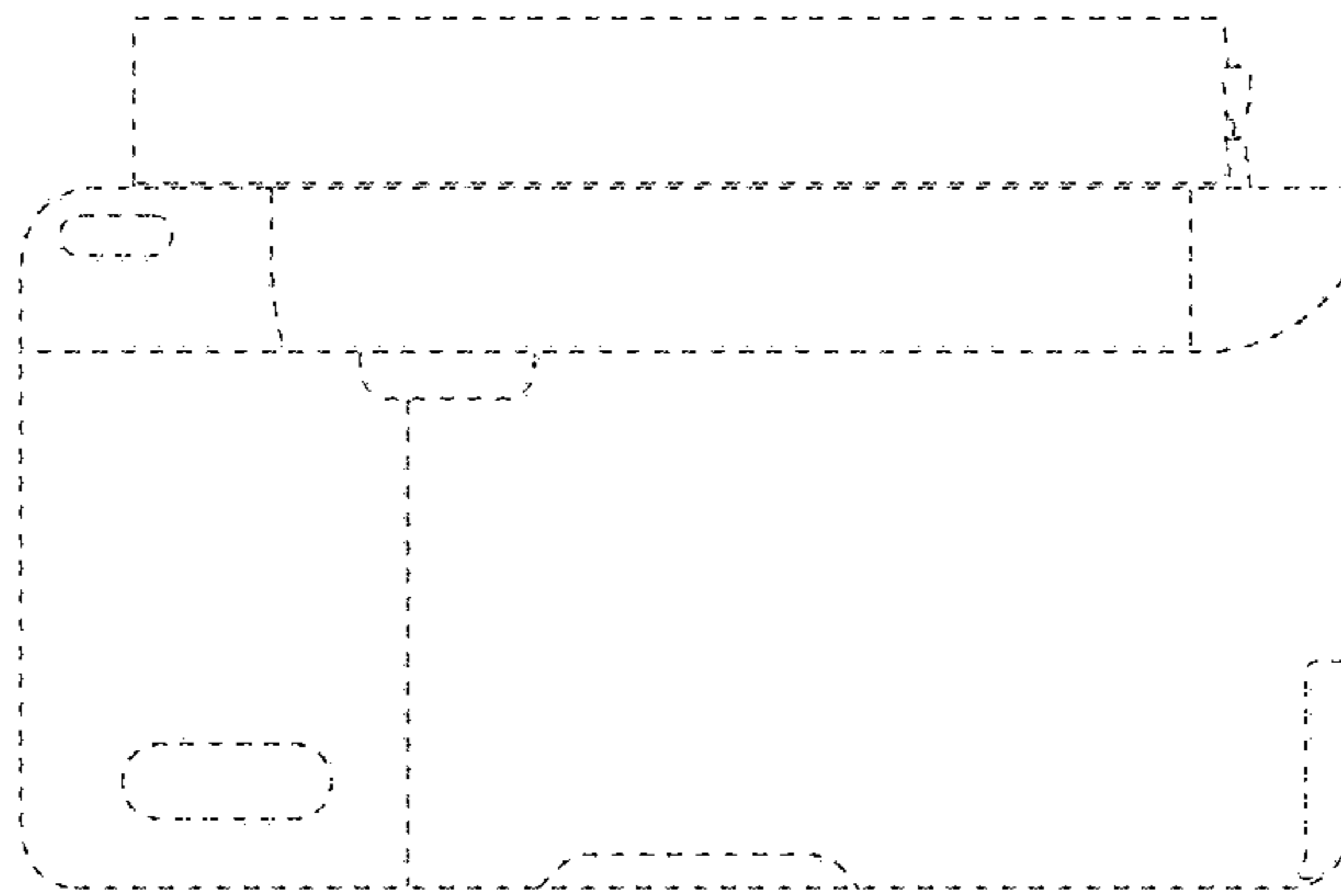


FIG. 16

