



US00D856410S

(12) **United States Design Patent** (10) **Patent No.:** **US D856,410 S**
Lee (45) **Date of Patent:** **** Aug. 13, 2019**

(54) **TERMINAL**
(71) Applicant: **NCR Corporation**, Duluth, GA (US)
(72) Inventor: **Kwan Lee**, Johns Creek, GA (US)
(73) Assignee: **NCR Corporation**, Atlanta, GA (US)
(**) Term: **15 Years**
(21) Appl. No.: **29/611,138**
(22) Filed: **Jul. 19, 2017**
(51) **LOC (12) Cl.** **18-01**
(52) **U.S. Cl.**
USPC **D18/4.4**
(58) **Field of Classification Search**
USPC D18/4.4, 4.5, 4.6, 2, 11, 50, 14, 19-21,
D18/54, 99, 12, 12.3; D14/300, 307,
D14/338, 339, 341, 356, 357, 383, 385,
D14/386, 388, 426, 453-455, 496, 507,
D14/509, 510, 154, 155, 158, 168, 218,
D14/225, 226, 248, 299, 314, 328, 332,
D14/335, 900, 902, 389, 390, 447, 457,
D14/253; D10/46, 61, 62, 70, 104.1,
D10/104.2, 106.2, 106.6, 65, 66; D20/1;
D13/162, 162.1, 163; D6/308
CPC H04W 8/22; H04W 52/0225; H04W
52/0254; G06Q 20/00; G06Q 20/08;
G06Q 20/20; G07F 7/0873; G07F 7/088;
G07G 1/0009; G07G 1/0018
See application file for complete search history.

(56) **References Cited**
U.S. PATENT DOCUMENTS

D289,291 S * 4/1987 Kapper D14/389
D335,963 S * 6/1993 Tracey D6/300
D360,196 S * 7/1995 Cox D18/4.5
D408,383 S * 4/1999 Carter D14/126
D410,441 S * 6/1999 Lin D14/314
D451,917 S * 12/2001 Rahemtulla D14/337
D458,255 S * 6/2002 Hsu D14/373

D477,084 S * 7/2003 Menezes D24/172
D480,083 S * 9/2003 Borsboom D14/345
D545,782 S * 7/2007 Schiller D14/126
D569,898 S * 5/2008 Masuda D18/4.5
D577,206 S * 9/2008 Chang D6/300
D583,822 S * 12/2008 Matsumoto D14/426
D600,455 S * 9/2009 Nell D14/371
D600,689 S * 9/2009 Jen D14/300
D615,515 S * 5/2010 Hwang D14/130
D643,825 S * 8/2011 Hwang D14/130
8,059,087 B2 * 11/2011 Chou H04N 1/00251
345/104
D658,175 S * 4/2012 Goetzen D14/371
D661,266 S * 6/2012 Laube D14/126
D661,671 S * 6/2012 Laube D14/126

(Continued)

OTHER PUBLICATIONS

e500. paxfaqs.files.wordpress.com. (Online image) 1 pg. Posted May 2017. [Retrieved on Dec. 27, 2018] <https://paxfaqs.files.wordpress.com/2017/05/e500.png?w=300&h=267>.*

Primary Examiner — Marie D. Fast Horse
(74) *Attorney, Agent, or Firm* — Paul W. Martin

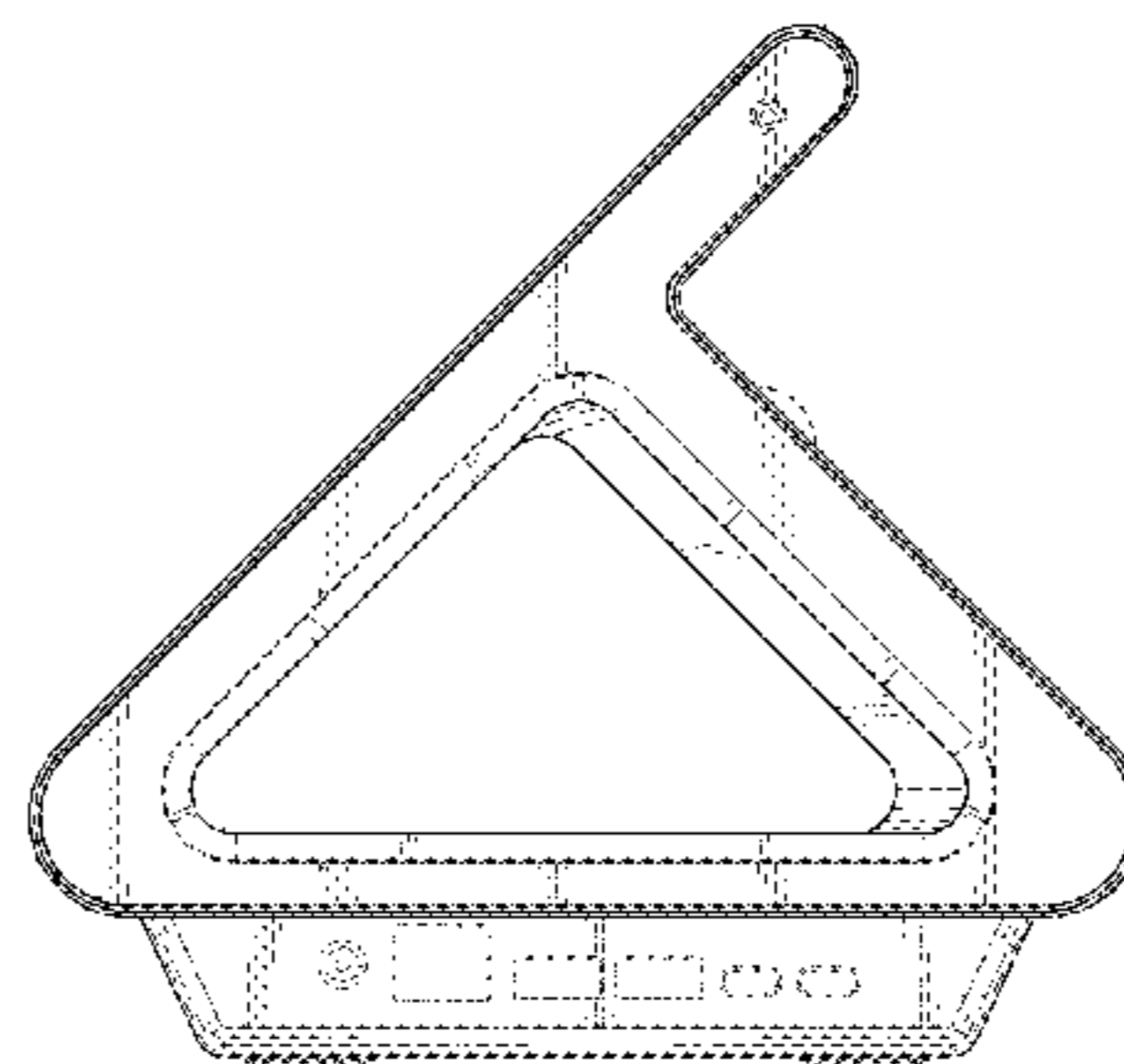
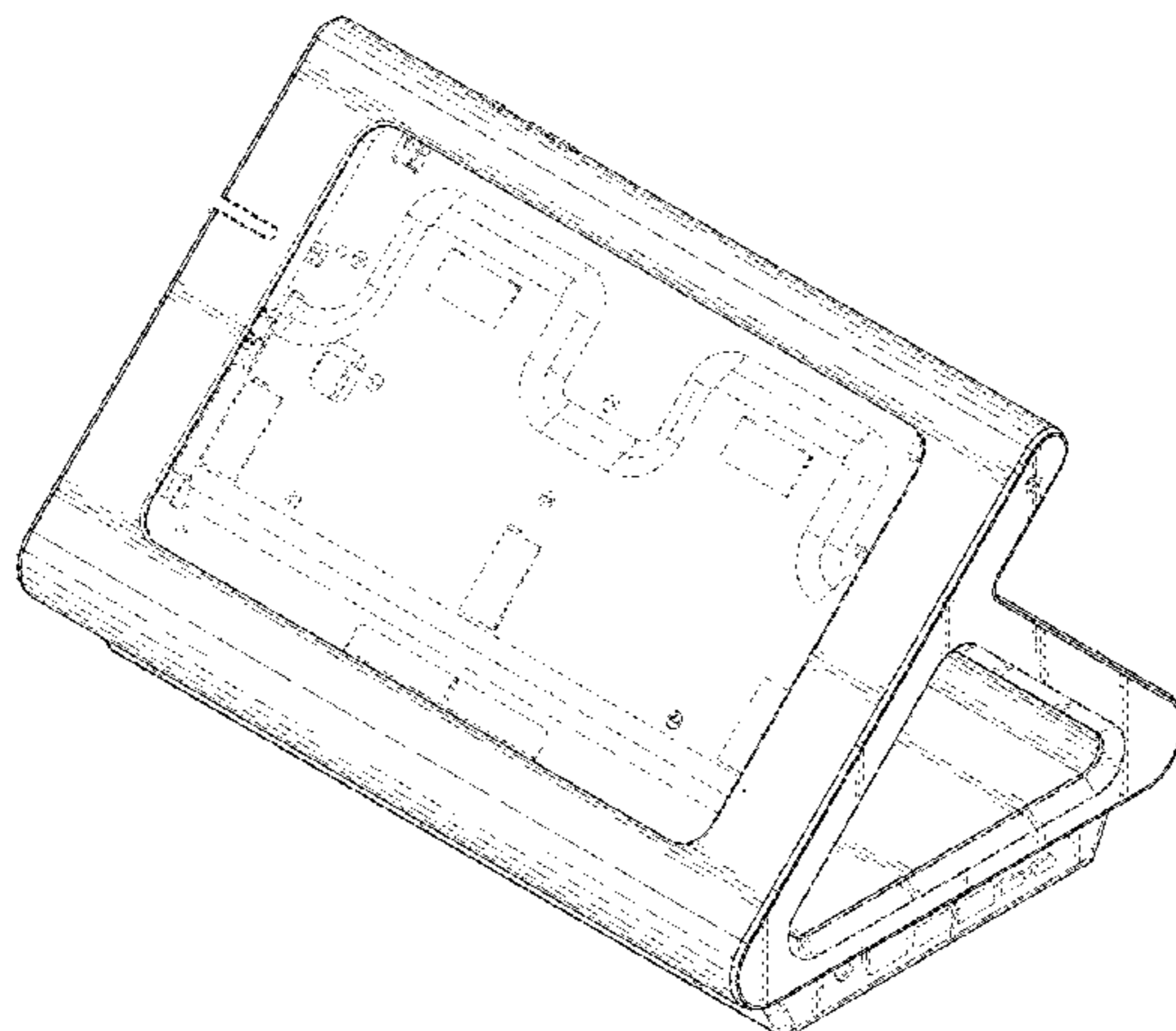
(57) **CLAIM**

The ornamental design for a terminal, as shown and described.

DESCRIPTION

FIG. 1 is a front perspective view of a terminal showing our new design;
FIG. 2 is a right side view thereof;
FIG. 3 is a left side view thereof;
FIG. 4 is a front view thereof;
FIG. 5 is a rear view thereof;
FIG. 6 is a top view thereof; and,
FIG. 7 is a top view thereof.
The broken lines in the drawings depict portions of the terminal that form no part of the claimed design.

1 Claim, 7 Drawing Sheets



(56)

References Cited

U.S. PATENT DOCUMENTS

D666,995 S * 9/2012 TerMeer D14/217
 D677,668 S * 3/2013 Phillips D14/440
 D686,654 S * 7/2013 Kim D18/4.6
 D687,484 S * 8/2013 Eun D18/4.6
 D687,832 S * 8/2013 Edwards D14/447
 D689,126 S * 9/2013 Eun D18/4.6
 D690,349 S * 9/2013 Qin D18/12
 D691,818 S * 10/2013 Shibata D6/308
 D693,607 S * 11/2013 Johnson D6/672
 D703,216 S * 4/2014 Klepar D14/447
 D704,196 S * 5/2014 Yohai-Giochais D14/447
 D704,702 S * 5/2014 Akana D14/341
 D706,864 S * 6/2014 Branck D18/4.6
 D707,288 S * 6/2014 Branck D18/4.6
 D707,685 S * 6/2014 Johnson D14/447
 D711,870 S * 8/2014 Johnson D14/307
 D712,396 S * 9/2014 Johnson D14/307
 D713,447 S * 9/2014 Balar D18/4.6
 D717,785 S * 11/2014 Winston D14/307
 D725,182 S * 3/2015 Haller D18/11
 D729,232 S * 5/2015 Wu D14/341
 D739,031 S * 9/2015 Golden D24/186
 D741,853 S * 10/2015 Barron D14/336
 D746,292 S * 12/2015 Heckler D14/447
 D762,258 S * 7/2016 Jenkins D18/4.5
 D762,863 S * 8/2016 Kim D24/186
 D763,247 S * 8/2016 Yepez D14/307
 D763,346 S * 8/2016 Jenkins D18/4.5
 D767,508 S * 9/2016 Dimberg D13/168
 D771,180 S * 11/2016 Jenkins D18/4.5
 D773,455 S * 12/2016 Lee D14/341

D773,554 S * 12/2016 Zong D18/4.4
 D778,982 S * 2/2017 Beatty D18/4.5
 D782,466 S * 3/2017 Yepez D14/307
 D784,270 S * 4/2017 Bhattacharya D13/162
 D791,860 S * 7/2017 Greaves D18/4.5
 D794,580 S * 8/2017 Dimberg D13/168
 D798,378 S * 9/2017 Kim D18/4.6
 D798,871 S * 10/2017 Avganim D14/447
 D806,159 S * 12/2017 Haller D18/4.5
 D806,698 S * 1/2018 Thompson D14/307
 D807,424 S * 1/2018 Chang D18/4.4
 D810,816 S * 2/2018 Chen D18/4.4
 D811,384 S * 2/2018 Diasabeygunawardena
 D14/336
 D811,472 S * 2/2018 Chen D18/4.4
 D814,559 S * 4/2018 Oross D18/4.4
 D833,427 S * 11/2018 Hansen D14/307
 2007/0241184 A1 * 10/2007 Lum G07G 1/0018
 235/380
 2010/0118327 A1 * 5/2010 Caspar H04N 1/00238
 358/1.13
 2013/0155595 A1 * 6/2013 Herring G07G 1/0018
 361/679.21
 2013/0262248 A1 * 10/2013 Kim G07G 1/0018
 705/17
 2013/0320177 A1 * 12/2013 Chen F16M 11/10
 248/371
 2015/0149311 A1 * 5/2015 Ward G07G 1/0018
 705/24
 2016/0300456 A1 * 10/2016 Zong G07G 1/0018
 2016/0327300 A1 * 11/2016 Ribbich F24F 11/30
 2019/0066076 A1 * 2/2019 Lee G06F 1/1632

* cited by examiner

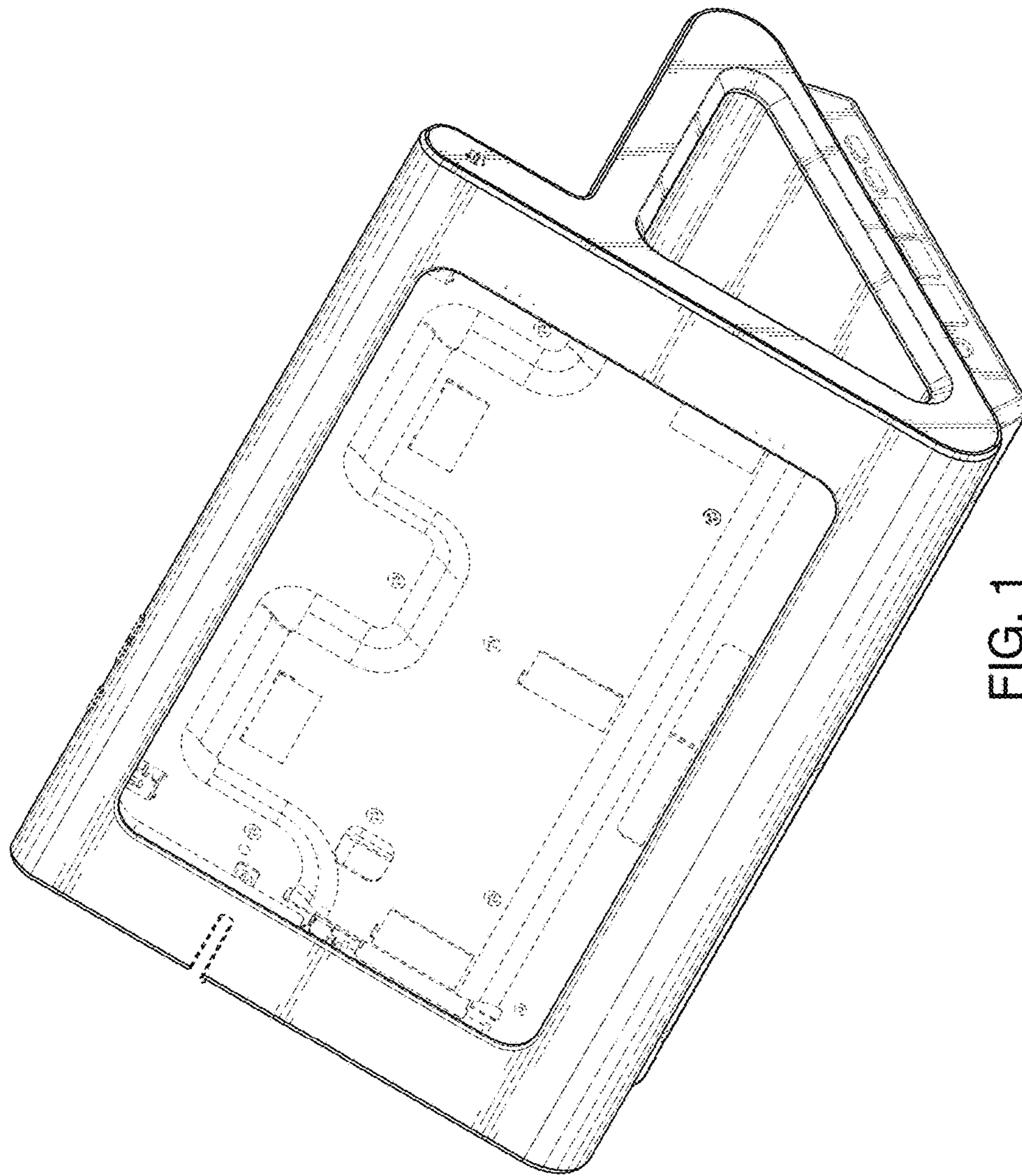


FIG. 1

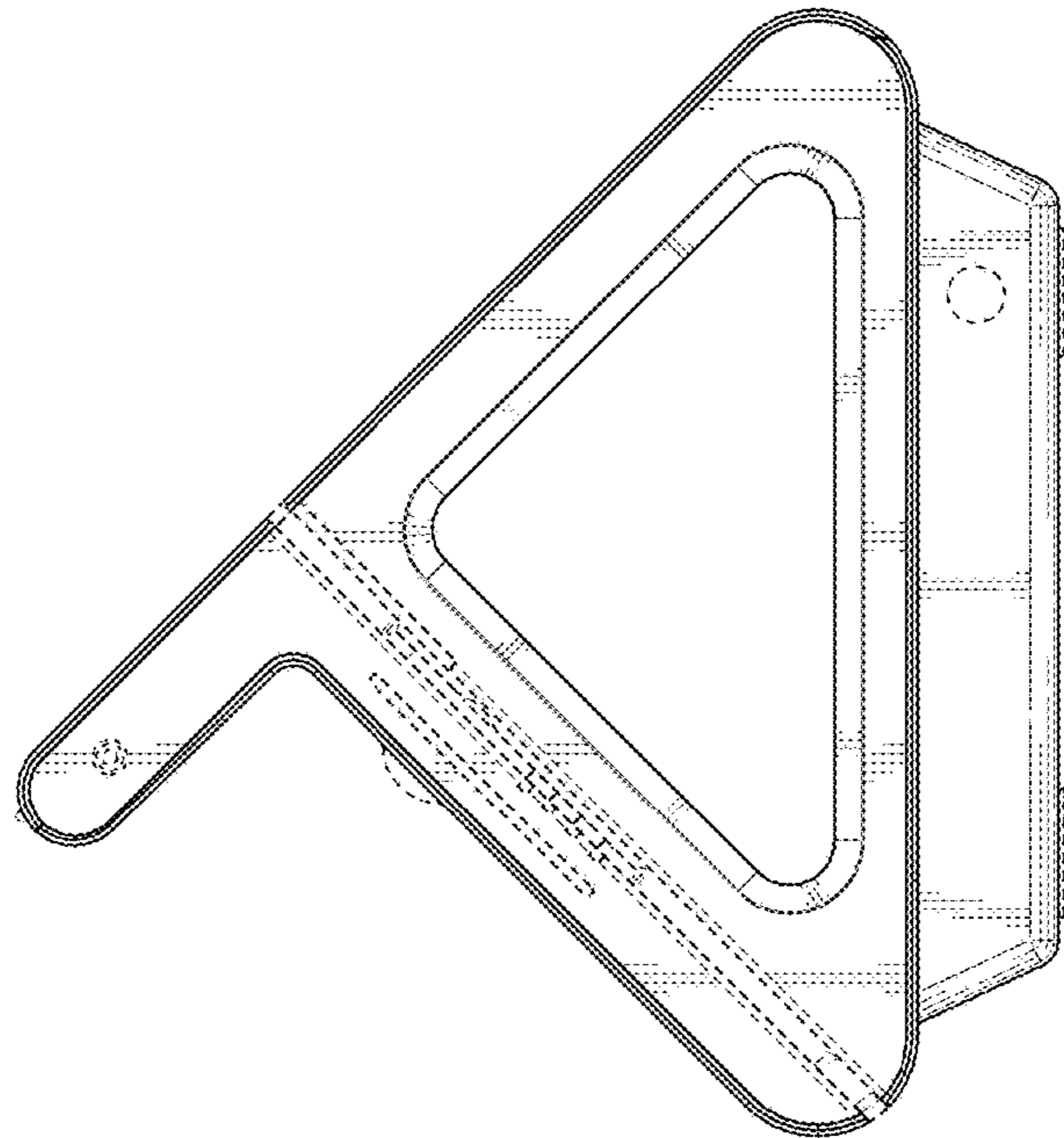


FIG. 2

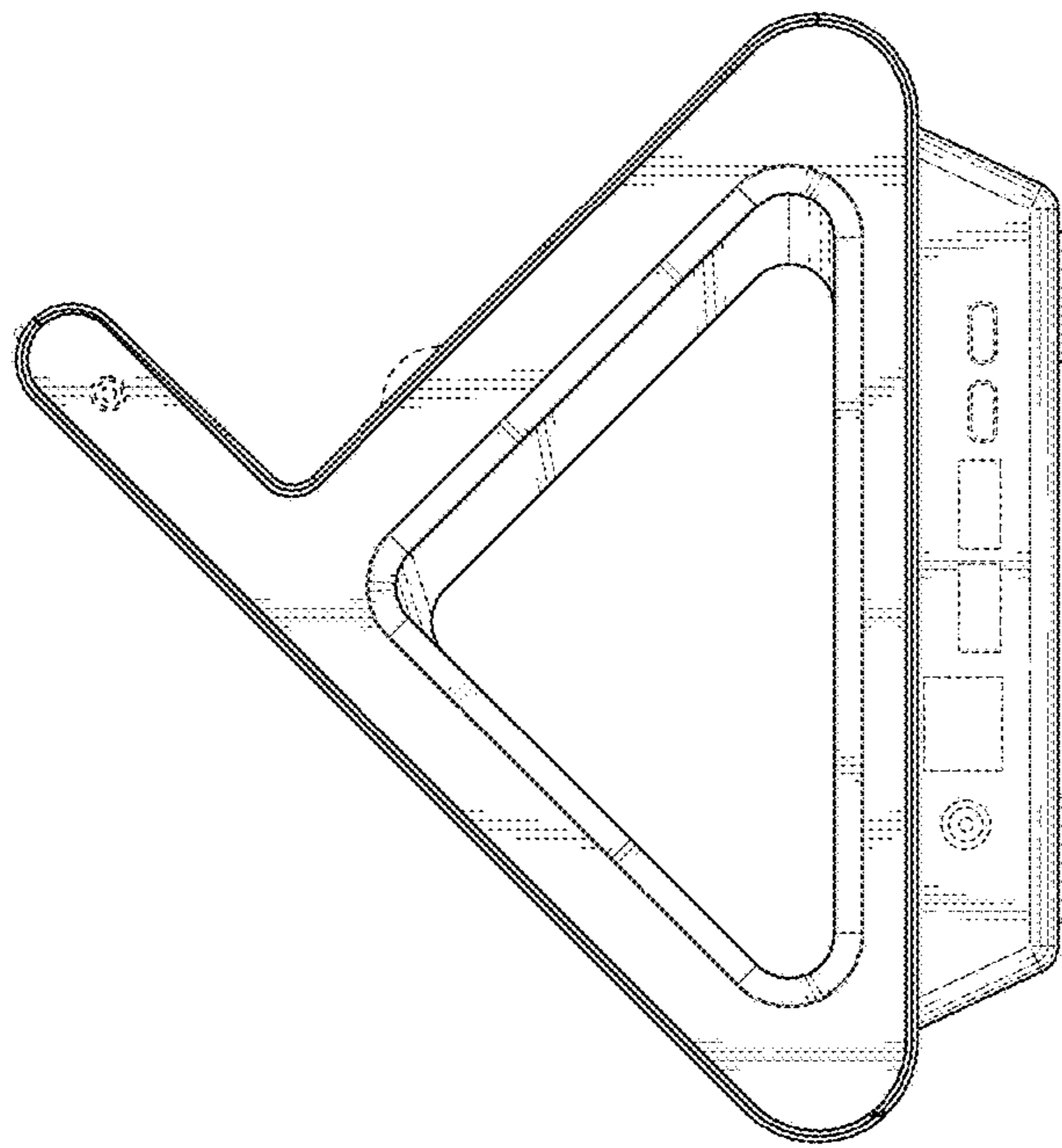


FIG. 3

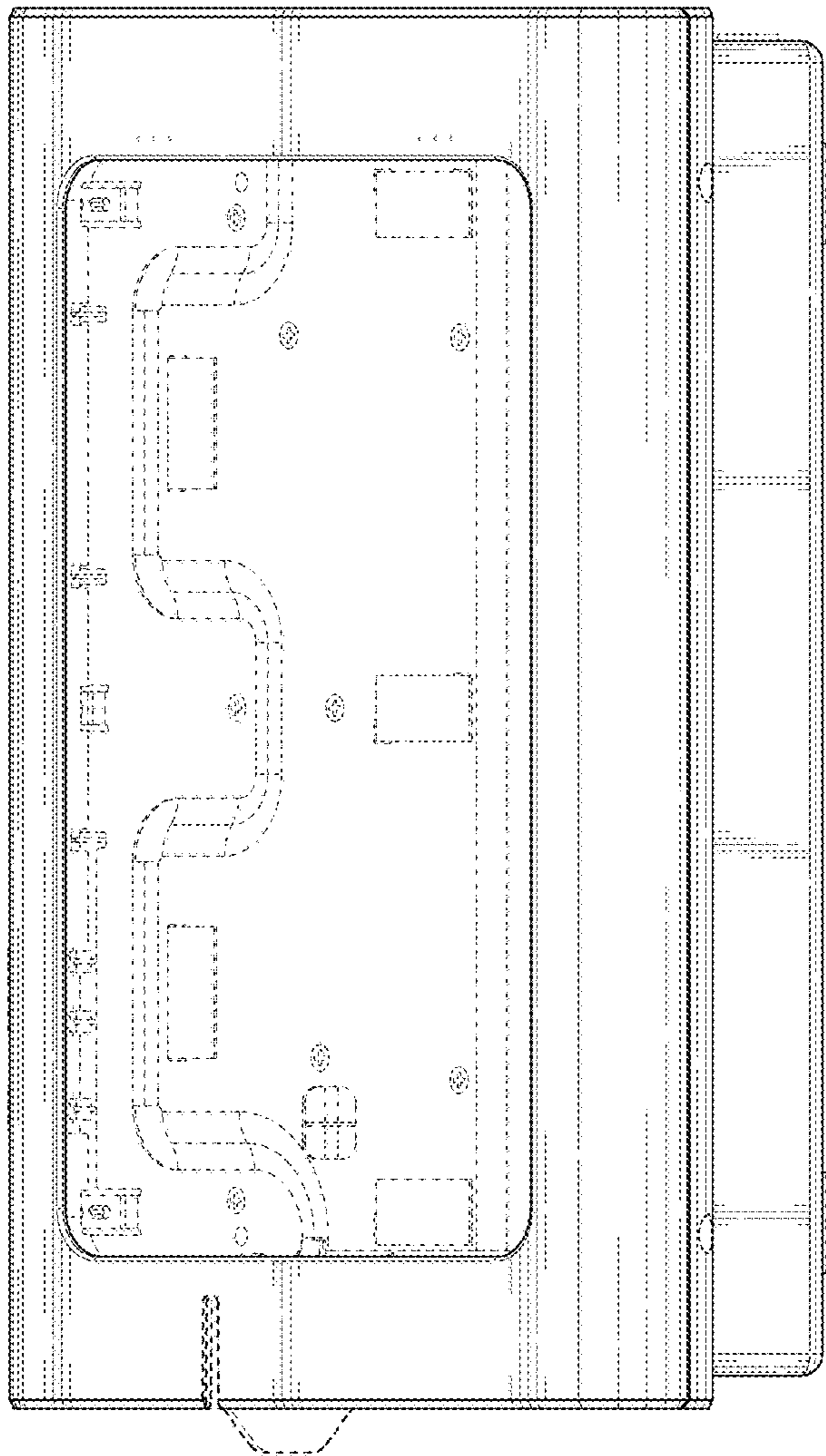


FIG. 4

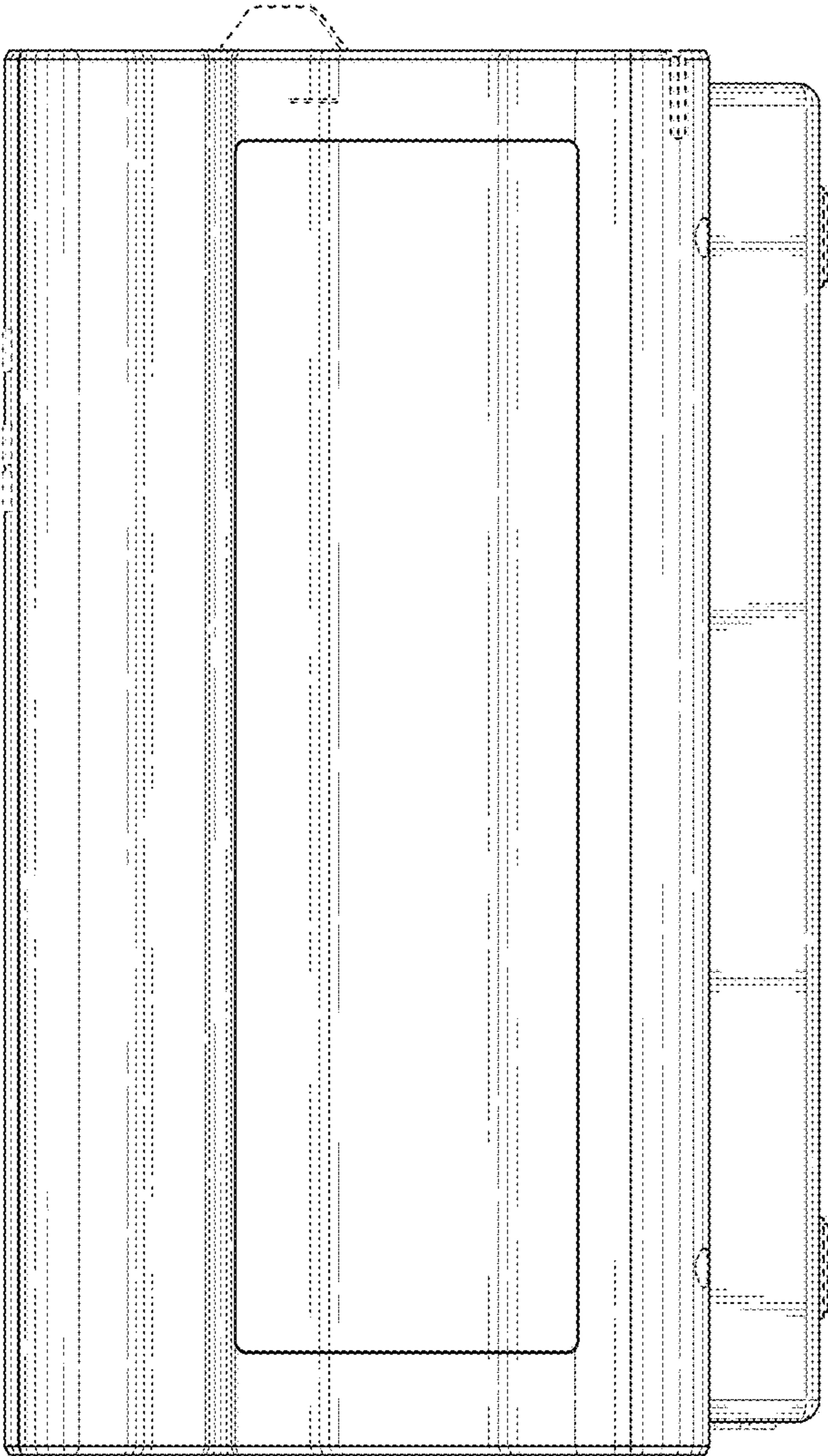


FIG. 5

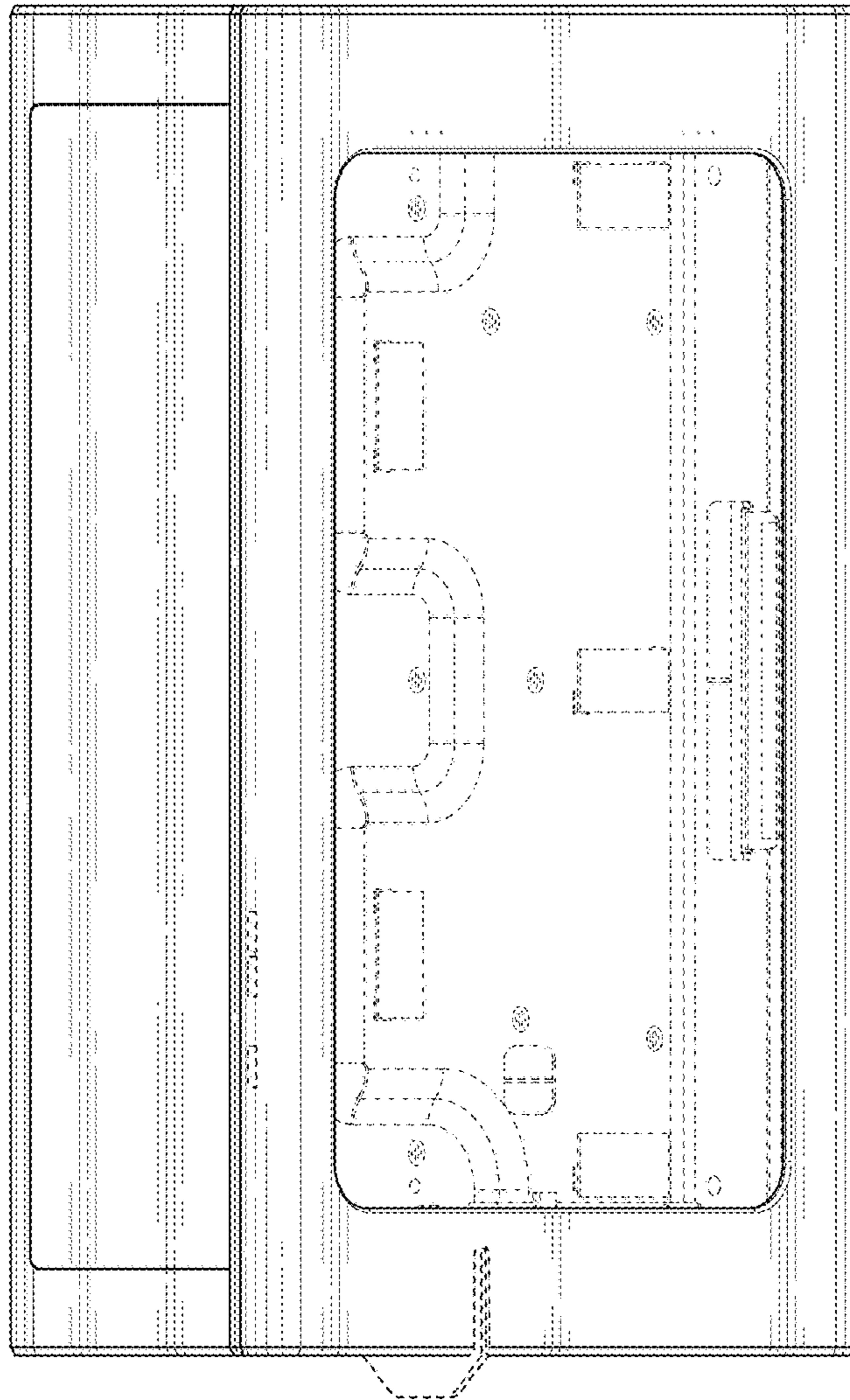


FIG. 6

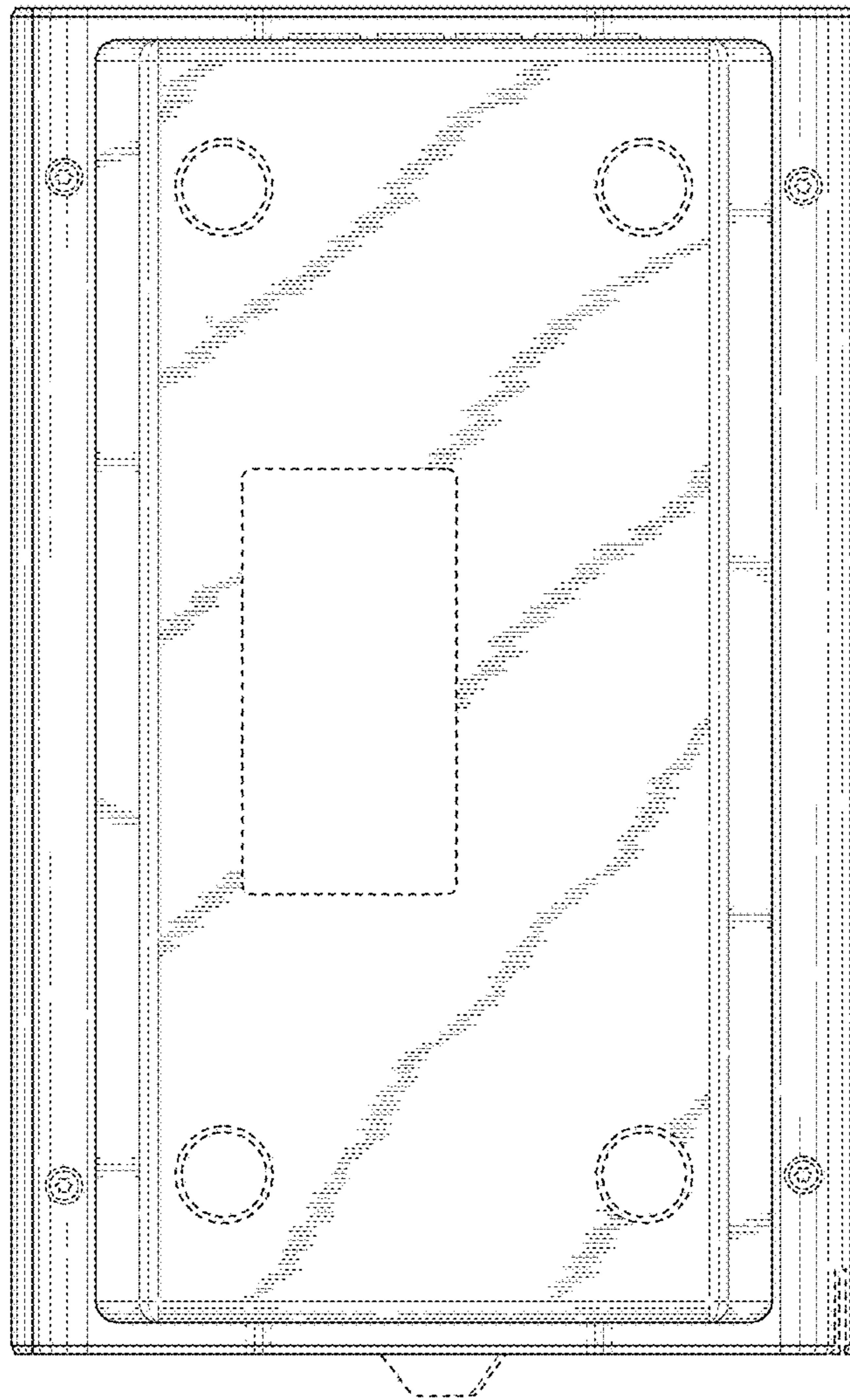


FIG. 7