



US00D856407S

(12) **United States Design Patent**  
**Craig et al.**

(10) **Patent No.:** **US D856,407 S**

(45) **Date of Patent:** **\*\* Aug. 13, 2019**

(54) **EYEGLASSES**

(71) Applicant: **Costa Del Mar, Inc.**, Daytona Beach, FL (US)

(72) Inventors: **Mark Craig**, Brooklyn, NY (US);  
**Patricia Koestner**, Daytona Beach, FL (US); **John Sanchez**, Daytona Beach, FL (US)

(73) Assignee: **Costa Del Mar, Inc.**, Daytona Beach, FL (US)

(\*\*) Term: **15 Years**

(21) Appl. No.: **29/640,837**

(22) Filed: **Mar. 16, 2018**

(51) **LOC (12) Cl.** ..... **16-06**

(52) **U.S. Cl.**  
USPC ..... **D16/322**

(58) **Field of Classification Search**  
USPC ..... D16/300, 315, 317, 321, 322, 335  
CPC ..... G02C 7/16  
See application file for complete search history.

(56) **References Cited**

**U.S. PATENT DOCUMENTS**

D84,596 S	7/1931	Rohman
2,269,037 A	1/1942	Oker
D135,992 S	7/1943	Pomeranz
D142,332 S	8/1945	Di Chiara
2,403,223 A	7/1946	Kaesz
D146,004 S	12/1946	Jacobson
D146,602 S	4/1947	Jaffe
D149,312 S	4/1948	Schwartz
D151,070 S	9/1948	Rohman
D151,222 S	10/1948	Ditto
2,482,195 A	9/1949	Martin
D155,580 S	10/1949	Coen
D170,435 S	9/1953	Weissman

D170,745 S	11/1953	Carmichael
D173,867 S	1/1955	Belgard
D173,868 S	1/1955	Belgard
D175,135 S	7/1955	Stegeman
2,749,800 A	6/1956	Gagnon
2,781,693 A	2/1957	Brumby
D184,705 S	3/1959	Bloch
D185,987 S	8/1959	Martuggi
D186,958 S	12/1959	Neary
D187,752 S	4/1960	Lindblom
2,946,258 A	7/1960	Lindblom
D189,066 S	10/1960	Moeller et al.
D191,014 S	8/1961	Maitenaz

(Continued)

**OTHER PUBLICATIONS**

E8 Element Eight Wire Frame Sunglasses, posted at amazon.com, posting date Feb. 2, 2018, [online], [site visited Mar. 28, 2019]. Available from Internet, URL: <https://www.amazon.com/Element-Eight-Metal-Polarized-Sunglasses/dp/B079K5F357> (Year: 2018).\*

(Continued)

*Primary Examiner* — George D. Kirschbaum

*Assistant Examiner* — Maria J Edwards

(74) *Attorney, Agent, or Firm* — Malloy & Malloy, P.L.

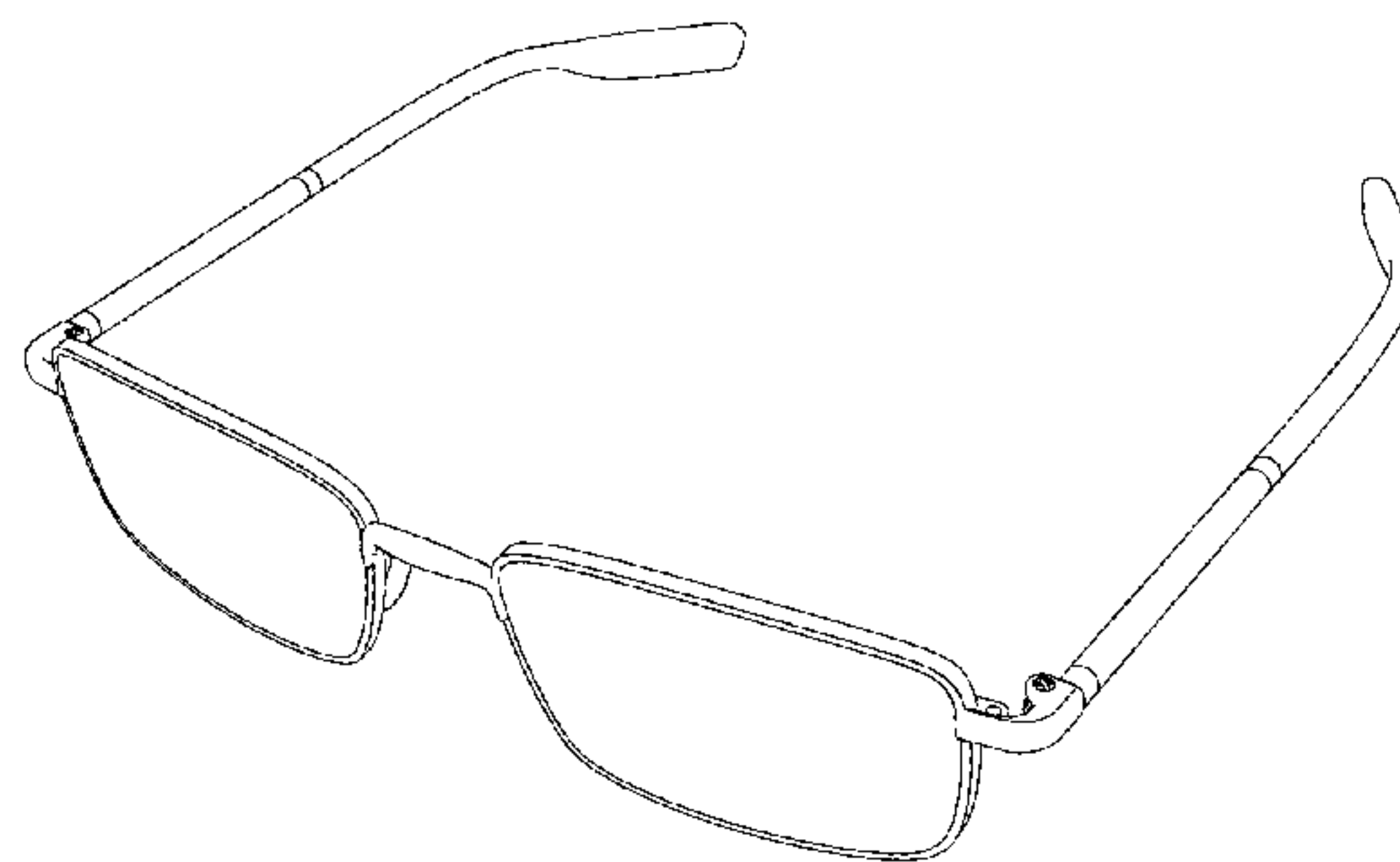
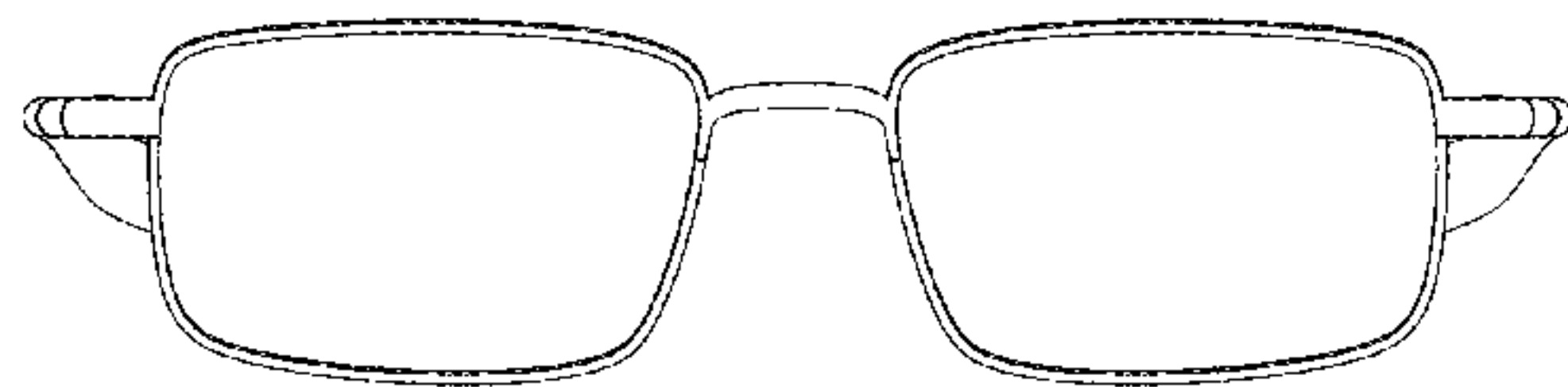
(57) **CLAIM**

The ornamental design for eyeglasses, as shown and described.

**DESCRIPTION**

FIG. 1 is a front view illustrating our design for eyeglasses; FIG. 2 is a top plan view thereof; FIG. 3 is a left side view thereof; the right side being a mirror image thereof; FIG. 4 is a front perspective view thereof; FIG. 5 is a rear view thereof; and, FIG. 6 is a bottom view thereof.

**1 Claim, 6 Drawing Sheets**



(56)

## References Cited

## U.S. PATENT DOCUMENTS

D192,884 S	5/1962	Petitto	D366,891 S	2/1996	Arnette
D193,028 S	6/1962	Petitto	D369,375 S	4/1996	Jannard et al.
D193,251 S	7/1962	Petitto	D369,376 S	4/1996	Guo
3,052,160 A	9/1962	Ratti	D371,384 S	7/1996	Bonnemere
D202,658 S	10/1965	Pettito	5,537,161 A	7/1996	Monroe
D204,636 S	5/1966	Radziwon et al.	5,541,674 A	7/1996	Jannard
D204,812 S	5/1966	Shindler	D372,929 S	8/1996	Conway
D207,028 S	2/1967	Griss	D371,567 S	9/1996	Fukuchi
D208,437 S	8/1967	Kono	D373,781 S	9/1996	Simioni et al.
D209,861 S	1/1968	Demmel	D376,810 S	12/1996	Ohie
D209,862 S	1/1968	McCracken	D377,037 S	12/1996	Stolt
D210,418 S	3/1968	Bloch et al.	5,608,469 A	3/1997	Bollé
D210,697 S	4/1968	Ramp	D380,487 S	7/1997	Nevitt
D210,698 S	4/1968	Simon	D382,290 S	8/1997	Simioni
3,395,406 A	8/1968	Smith	D382,291 S	8/1997	Wilson
3,402,005 A	9/1968	Liautaud et al.	D382,891 S	8/1997	Flanagan
D213,595 S	3/1969	Simon	D382,892 S	8/1997	Murai
3,476,468 A	11/1969	Fortenberry	D383,150 S	9/1997	Conway
D216,563 S	2/1970	Ramp	D383,478 S	9/1997	Wilson
D218,128 S	7/1970	Bloch	D385,291 S	10/1997	Jannard et al.
D218,953 S	10/1970	Maiese	D385,897 S	11/1997	Lin
D220,289 S	3/1971	Mitchell	D386,511 S	11/1997	Takekoshi
D220,291 S	3/1971	Bloch	D386,513 S	11/1997	Conway
3,724,934 A	4/1973	Bloom	D387,084 S	12/1997	Bolle'
D227,405 S	6/1973	Shindler	D387,793 S	12/1997	Flanagan
D228,806 S	10/1973	Harrell	D389,505 S	1/1998	Conway
D230,080 S	1/1974	Maiese	D391,596 S	3/1998	Simioni
D231,562 S	4/1974	Switkes	D392,663 S	3/1998	Mage
D231,857 S	6/1974	Bloch	D392,664 S	3/1998	Raub
D232,380 S	8/1974	Johnsen	D393,653 S	4/1998	Howard, IV
D243,084 S	1/1977	Johnsen	D394,871 S	6/1998	Simioni
D243,398 S	2/1977	Loughner	5,764,333 A	6/1998	Somsel
D245,169 S	7/1977	Teufelhart	5,768,716 A	6/1998	Porsche
D246,903 S	1/1978	Canavan, III	D397,350 S	8/1998	Jannard et al.
4,196,982 A	4/1980	Watkins	D397,712 S	9/1998	Simioni
4,222,640 A	9/1980	Bononi	D398,022 S	9/1998	Jannard et al.
D257,854 S	1/1981	Beane	D398,330 S	9/1998	Lin
D261,525 S	10/1981	Rips	5,815,235 A	9/1998	Runckel
D263,058 S	2/1982	Johnsen	D399,238 S	10/1998	Simioni
4,345,824 A	8/1982	Daubignard	D399,866 S	10/1998	Yee
D268,271 S	3/1983	Kanouï	D401,610 S	11/1998	Flanagan
D273,684 S	5/1984	Dianitsch	D404,754 S	1/1999	Yee et al.
D274,534 S	7/1984	Kanouï	D407,099 S	3/1999	Wang
D275,204 S	8/1984	Kanouï	D407,427 S	3/1999	Matera
4,470,674 A	9/1984	Piampiano	D408,839 S	4/1999	Matera
D276,349 S	11/1984	Zeni	D408,841 S	4/1999	Conway
D280,731 S	9/1985	Haas	D409,222 S	5/1999	Raub
D280,909 S	10/1985	Engelhardt	D409,224 S	5/1999	Matera
D282,668 S	2/1986	Haas	D410,022 S	5/1999	Conway
D285,020 S	8/1986	Schmidthaler	5,903,331 A	5/1999	Lin
D285,210 S	8/1986	Marchi et al.	5,907,384 A	5/1999	Kirsch et al.
4,665,598 A	5/1987	Murai et al.	D410,667 S	6/1999	Arnette
D290,465 S	6/1987	Levoy	D412,008 S	7/1999	Hall et al.
4,703,522 A	11/1987	Schürle	D413,137 S	8/1999	Lin
D292,985 S	12/1987	Hanagata	D413,916 S	9/1999	Flanagan
D300,226 S	3/1989	Ramp	D414,796 S	10/1999	Arnette
D302,559 S	8/1989	Samuel	D415,186 S	10/1999	Tabacchi
D311,195 S	10/1990	Berthet-Bondet	5,963,296 A	10/1999	Matera
D312,648 S	12/1990	Baba	D420,035 S	2/2000	Hartman
D314,779 S	2/1991	Ramp	D421,765 S	3/2000	Hsu
D314,780 S	2/1991	Ramp	D422,005 S	3/2000	Martinant de Preneuf
5,042,934 A	8/1991	Nakanishi	D422,007 S	3/2000	Pickering et al.
D321,523 S	11/1991	Cherian	D423,034 S	4/2000	Arnette
D321,895 S	11/1991	Ramp	D423,550 S	4/2000	Matera
D324,394 S	3/1992	Jannard	D423,551 S	4/2000	Lamy
D330,395 S	10/1992	Simioni	D424,094 S	5/2000	Conway
5,258,784 A	11/1993	Baines	D424,598 S	5/2000	Simioni
5,270,743 A	12/1993	Hofmair et al.	D425,102 S	5/2000	Matera
5,343,259 A	8/1994	Nakanishi	D425,103 S	5/2000	Yee et al.
D350,967 S	9/1994	Cereda	6,056,399 A	5/2000	Jannard et al.
5,355,185 A	10/1994	Lee	D426,256 S	6/2000	Hirschman et al.
D352,047 S	11/1994	Dombrosky, Sr.	D426,567 S	6/2000	Gugler
D352,051 S	11/1994	Rodriguez	D427,227 S	6/2000	Conway
5,373,331 A	12/1994	Vallalla et al.	D427,622 S	7/2000	Conway
5,423,092 A	6/1995	Kawai	D428,431 S	7/2000	Jordan
			D428,907 S	8/2000	Matera
			D429,752 S	8/2000	Polland
			D429,754 S	8/2000	Markovitz
			D429,755 S	8/2000	Markovitz et al.



(56)

References Cited

U.S. PATENT DOCUMENTS

D430,190 S	8/2000	Hirschman et al.	D519,148 S	4/2006	Wu
D433,697 S	11/2000	Lane	7,036,927 B2	5/2006	Kopfer
D434,064 S	11/2000	Lane	D524,354 S	7/2006	Yang
D434,789 S	12/2000	Lane	D524,355 S	7/2006	Chuang
6,168,271 B1	1/2001	Houston et al.	D525,278 S	7/2006	Krefman
D437,871 S	2/2001	Tortorella	D525,643 S	7/2006	Wu
D438,886 S	3/2001	Freeman	D532,438 S	11/2006	Yang
6,196,681 B1	3/2001	Canavan	7,137,700 B2	11/2006	DiChiara et al.
D441,002 S	4/2001	Stark et al.	D533,579 S	12/2006	Raile
6,233,342 B1	5/2001	Fernandez	D533,892 S	12/2006	Moody et al.
D445,821 S	7/2001	Agnoli	7,150,525 B1	12/2006	Yang
6,253,388 B1	7/2001	Lando	D534,569 S	1/2007	Teng
6,264,327 B1	7/2001	Copeland	D534,570 S	1/2007	Yang
6,273,564 B1	8/2001	Wedeck et al.	D534,573 S	1/2007	Mage
D447,506 S	9/2001	Lane	D534,942 S	1/2007	Lynch
D447,763 S	9/2001	Lane	D535,316 S	1/2007	Teng
D449,640 S	10/2001	Grundy	D535,317 S	1/2007	Wolfe
D449,641 S	10/2001	Arnette	D535,318 S	1/2007	Teng
D450,744 S	11/2001	Rhoades et al.	D535,682 S	1/2007	Paulson
D451,120 S	11/2001	Venezia	D536,024 S	1/2007	Yang
D452,522 S	12/2001	Chiou	D536,028 S	1/2007	Paulson
D453,024 S	1/2002	Bonnemere	D536,363 S	2/2007	Miklitarian
6,334,680 B1	1/2002	Larson	D537,861 S	3/2007	Teng
D453,783 S	2/2002	Ho	D537,863 S	3/2007	Markovitz
D455,168 S	4/2002	Bonnemere	D538,326 S	3/2007	Guo
D456,038 S	4/2002	Arnette	D539,328 S	3/2007	Yang
D456,441 S	4/2002	Jannard et al.	D539,329 S	3/2007	Mouclier
D463,815 S	10/2002	Katz et al.	D539,330 S	3/2007	Hester
D464,669 S	10/2002	Thixton et al.	D539,828 S	4/2007	Hester
D469,459 S	1/2003	Moritz	D539,829 S	4/2007	Chuang
D470,167 S	2/2003	Jannard et al.	D539,832 S	4/2007	Chuang
D470,883 S	2/2003	Teng	D539,833 S	4/2007	Chuang
D472,915 S	4/2003	Rohrbach et al.	D539,834 S	4/2007	Hester
D474,224 S	5/2003	Chen	D540,370 S	4/2007	Sheldon
6,561,647 B1	5/2003	Chen	D540,844 S	4/2007	Nakanishi
D475,390 S	6/2003	Wang-Lee	D540,845 S *	4/2007	Nakanishi ..... D16/315
D475,393 S	6/2003	Lee	D540,846 S	4/2007	Sheldon
D475,394 S	6/2003	Yang	D541,839 S	5/2007	Sheldon
D475,733 S	6/2003	Lee	D542,329 S	5/2007	Hester
D476,354 S	6/2003	Chen	D542,330 S	5/2007	Elmore
D477,348 S	7/2003	Lane	D543,230 S	5/2007	Nakanishi
D477,834 S	7/2003	Sheldon	D543,572 S	5/2007	Yee et al.
6,592,220 B1	7/2003	Cheong	D543,573 S	5/2007	Chuang
6,604,824 B2	8/2003	Larson	D544,018 S	6/2007	Huang
D481,059 S	10/2003	Egbert et al.	D544,521 S	6/2007	Lee
6,637,877 B1	10/2003	Hartley et al.	D545,348 S	6/2007	Chen
D481,750 S	11/2003	Stables	D545,871 S	7/2007	Yee
D481,751 S	11/2003	Stables	D545,872 S	7/2007	Yee et al.
D483,393 S	12/2003	Chen	D545,873 S	7/2007	Sheldon
D485,571 S	1/2004	Teng	D546,867 S	7/2007	Teng
6,692,124 B2	2/2004	Katz et al.	D547,355 S	7/2007	Fuchs
D487,477 S	3/2004	Lane	D547,794 S	7/2007	Jannard et al.
D488,499 S	4/2004	Mage	D548,268 S	8/2007	Yee
6,715,873 B2	4/2004	Nahmias	D548,269 S	8/2007	Baden et al.
6,729,725 B1	5/2004	Cheng	D548,769 S	8/2007	Chen
D493,188 S	7/2004	Brueck	D549,268 S	8/2007	Daems et al.
6,767,095 B1	7/2004	Altelaar et al.	D549,270 S	8/2007	Daems et al.
D494,206 S	8/2004	Grosjean	D549,746 S	8/2007	Popov
6,783,235 B1	8/2004	Lin	D549,763 S	8/2007	Daems et al.
D496,064 S	9/2004	Mangum	D549,764 S	8/2007	Teng
D497,933 S	11/2004	Moody	D550,272 S	9/2007	Markovitz
D500,781 S	1/2005	Mage	D550,752 S	9/2007	Teng
D501,218 S	1/2005	Teng	D550,753 S	9/2007	Li
6,863,395 B1	3/2005	Teng	D550,755 S	9/2007	Fuchs
D503,949 S	4/2005	Teng	D550,756 S	9/2007	Li
6,890,073 B2	5/2005	DiChiara et al.	D550,757 S	9/2007	Li
D508,514 S	8/2005	Hester	D550,758 S	9/2007	Cheng
D508,515 S	8/2005	Yee et al.	D551,693 S	9/2007	Fuchs
D513,033 S	12/2005	Hsu	D552,155 S	10/2007	Markovitz
D513,518 S	1/2006	Stables	D552,663 S	10/2007	Cheng
D514,615 S	2/2006	Mangum	D552,665 S	10/2007	Mage
D515,617 S	2/2006	Stables	D553,176 S	10/2007	Yee et al.
D515,618 S	2/2006	Stables	D553,177 S	10/2007	Chen
D518,502 S	4/2006	Teng	D553,368 S	10/2007	Yee et al.
D519,146 S	4/2006	Yasuhara	D553,663 S	10/2007	Moody
			D554,687 S	11/2007	Arnette
			D554,689 S	11/2007	Jannard et al.
			D555,703 S	11/2007	Damen
			D555,705 S	11/2007	Chuang



(56)

References Cited

U.S. PATENT DOCUMENTS

D555,707 S	11/2007	Hou	D583,863 S	12/2008	Savoy
D556,243 S	11/2007	Elmore	D584,330 S	1/2009	Chen
D556,245 S	11/2007	Lane	D584,332 S	1/2009	Moody
D556,246 S	11/2007	Yee	D584,335 S	1/2009	Baden et al.
D556,248 S	11/2007	Elmore	D584,758 S	1/2009	Mage
7,296,887 B1	11/2007	Hsiung	D584,759 S	1/2009	Yang
D556,813 S	12/2007	Brück	D585,474 S	1/2009	Tu
D557,322 S	12/2007	Yang	D585,475 S	1/2009	Yang
D557,323 S	12/2007	Yang	7,481,529 B1	1/2009	Chen
D557,324 S	12/2007	Moody	D585,928 S	2/2009	Markovitz
D557,325 S	12/2007	Jannard et al.	D586,379 S	2/2009	Thixton et al.
D557,730 S	12/2007	Mage	D586,380 S	2/2009	Yee
D557,731 S	12/2007	Mage	D586,381 S	2/2009	Yee
D558,816 S	1/2008	Yee	D587,740 S	3/2009	Friedman
D559,301 S	1/2008	Elmore	D588,183 S	3/2009	Friedman
D559,887 S	1/2008	Wu	D588,626 S	3/2009	Markovitz
D559,888 S	1/2008	Yang	D589,079 S	3/2009	Markovitz et al.
D561,809 S	2/2008	Yee	7,506,977 B1	3/2009	Aiiso
D561,810 S	2/2008	Fox et al.	D590,433 S	4/2009	Lane et al.
D561,812 S	2/2008	Fox et al.	D590,869 S	4/2009	Yang
D561,813 S	2/2008	Baden et al.	D591,326 S	4/2009	Travers et al.
D561,814 S	2/2008	Thixton et al.	D591,330 S	4/2009	Friedman
D563,455 S	3/2008	Markovitz	D591,788 S	5/2009	Fuchs
D564,569 S	3/2008	Mage	D591,789 S	5/2009	Li
D564,570 S	3/2008	Mage	D593,145 S *	5/2009	Fuchs ..... D16/315
D564,571 S	3/2008	Jannard et al.	D593,593 S	6/2009	Fuchs
D564,572 S	3/2008	Yee et al.	D594,052 S	6/2009	Yang
D565,085 S	3/2008	Mage	D594,501 S	6/2009	Yee
D565,087 S	3/2008	Yee et al.	D595,333 S	6/2009	Markovitz et al.
D565,088 S	3/2008	Baden et al.	D595,758 S	7/2009	Lane
D565,090 S	3/2008	Yee	D597,124 S	7/2009	Markovitz
D567,838 S	4/2008	Fuchs	D598,483 S	8/2009	Lane
D567,840 S	4/2008	Miklitarian	D599,395 S	9/2009	Lane
D568,365 S	5/2008	Fuchs	D599,837 S	9/2009	Markovitz et al.
D568,368 S	5/2008	Hofmann	D599,838 S	9/2009	Rohrbach
D568,369 S	5/2008	Della Valle	D599,840 S	9/2009	Daems et al.
D568,371 S	5/2008	Chen	D600,271 S	9/2009	Markovitz et al.
D568,921 S	5/2008	Anderl	D601,181 S	9/2009	Fuchs
D568,924 S	5/2008	Markovitz	D601,613 S	10/2009	Yee
D569,894 S	5/2008	Cocagnani	D601,614 S	10/2009	Mouclier
D570,899 S	6/2008	Lee	D601,615 S	10/2009	Mage
D570,900 S	6/2008	Markovitz	D601,616 S	10/2009	Mage
D571,392 S	6/2008	Miklitarian	D602,975 S	10/2009	Fuchs
D572,294 S	7/2008	Markovitz	D602,977 S	10/2009	Falvo
D572,746 S	7/2008	Lane	D602,978 S	10/2009	Mage
D572,747 S	7/2008	Baden et al.	D603,446 S	11/2009	Moody
D572,748 S	7/2008	Markovitz	D603,447 S	11/2009	Markovitz et al.
D572,749 S	7/2008	Yee	D603,448 S	11/2009	Markovitz
D573,170 S	7/2008	Fuchs	D604,755 S	11/2009	Gélifier
D574,412 S	8/2008	Wu	D604,758 S	11/2009	Rohrbach et al.
D575,323 S	8/2008	Jannard et al.	D604,759 S	11/2009	Rohrbach et al.
D575,325 S	8/2008	Wu	D605,686 S	12/2009	Yasuhara
D575,813 S	8/2008	Li	D606,112 S	12/2009	Markovitz et al.
D577,378 S	9/2008	Miklitarian	D606,113 S	12/2009	Daems et al.
D577,759 S	9/2008	Yee	D606,575 S	12/2009	Markovitz et al.
D580,475 S	11/2008	Markovitz et al.	D606,577 S	12/2009	Gélifier
D580,963 S	11/2008	Yee	D606,578 S	12/2009	Markovitz et al.
D581,443 S	11/2008	Jannard et al.	D606,580 S	12/2009	Markovitz et al.
D581,444 S	11/2008	Jannard et al.	D607,039 S	12/2009	Yee
D581,446 S	11/2008	Yee	D607,040 S	12/2009	Rohrbach
D581,448 S	11/2008	Fuchs	D607,483 S	1/2010	Yang
D581,449 S	11/2008	Yee	D607,485 S	1/2010	Yang
D581,450 S	11/2008	Moritz	D607,918 S	1/2010	Khubani
D581,966 S	12/2008	Serlenga	D608,817 S	1/2010	Miklitarian
D582,467 S	12/2008	Hsu	7,648,233 B2	1/2010	Blanshay et al.
D582,960 S	12/2008	Fuchs	D609,736 S	2/2010	Wang
D582,964 S	12/2008	Fuchs	D610,603 S	2/2010	Thixton
D582,965 S	12/2008	Fuchs	D610,604 S	2/2010	Thixton
D582,966 S	12/2008	Serlenga	D611,981 S	3/2010	Lane et al.
D582,967 S	12/2008	Serlenga	D613,788 S	4/2010	Friedman
D583,401 S	12/2008	Lane	D614,359 S	4/2010	Gleason et al.
D583,403 S	12/2008	Lane et al.	D615,579 S	5/2010	Markovitz
D583,404 S	12/2008	Baden et al.	D616,013 S	5/2010	Reed
D583,852 S	12/2008	Chen	D616,014 S	5/2010	Yang
D583,853 S	12/2008	Markovitz	D616,015 S	5/2010	Markovitz et al.
			D616,016 S	5/2010	Markovitz et al.
			7,712,894 B2	5/2010	Tsai
			D616,918 S	6/2010	Rohrbach
			D616,919 S	6/2010	Thixton



(56)

## References Cited

## U.S. PATENT DOCUMENTS

D617,365 S	6/2010	Akarra et al.	D654,947 S	2/2012	Shin et al.
D617,366 S	6/2010	Fulton	D655,741 S	3/2012	Yee
D618,271 S	6/2010	Chen	D656,088 S	3/2012	Krier et al.
D619,160 S	7/2010	Sheldon	D656,177 S	3/2012	Sallard
D620,970 S	8/2010	Thixton	D657,813 S	4/2012	Mouclier
D621,438 S	8/2010	Markovitz et al.	D658,703 S	5/2012	Sallard
D621,868 S	8/2010	Gonzalez	D658,704 S	5/2012	Markovitz et al.
D622,302 S	8/2010	Yee	D659,182 S	5/2012	Shin et al.
D622,755 S	8/2010	Yee	D660,342 S	5/2012	Kim et al.
D622,757 S	8/2010	Mouclier	D660,343 S	5/2012	Froissard
D623,216 S	9/2010	Rohrbach	D660,344 S	5/2012	Gonzalez
D623,217 S	9/2010	Markovitz et al.	8,182,086 B2	5/2012	Cheong
D623,683 S	9/2010	Rohrbach	D661,335 S	6/2012	Jeon
D623,684 S	9/2010	Yee	D661,336 S	6/2012	Raile
D624,579 S	9/2010	Rohrbach	D661,337 S	6/2012	Raile
D626,988 S	11/2010	Yang	D661,340 S	6/2012	Kim et al.
D626,990 S	11/2010	Markovitz	D662,124 S	6/2012	Shin
D628,229 S	11/2010	Fuchs	D662,125 S	6/2012	Yee
D629,036 S	12/2010	Yee et al.	D662,536 S	6/2012	Shin
D629,443 S	12/2010	Markovitz et al.	D662,537 S	6/2012	Markovitz et al.
D629,444 S	12/2010	Akarra et al.	D663,764 S	7/2012	Serlenga
D629,829 S	12/2010	Markovitz et al.	D664,186 S	7/2012	Raile
D629,830 S	12/2010	Markovitz et al.	D664,187 S	7/2012	Raile
D629,831 S	12/2010	Markovitz	D664,588 S	7/2012	Zoonens
7,856,673 B2	12/2010	Reed	D664,589 S	7/2012	Gonzalez
D630,674 S	1/2011	Markovitz	D664,590 S	7/2012	Shin
D631,083 S	1/2011	Serlenga	D665,009 S	8/2012	Nibauer et al.
D631,084 S	1/2011	Phillips	D667,044 S	9/2012	Markovitz et al.
D632,721 S	2/2011	Chou	D667,045 S	9/2012	Gonzalez
D633,129 S	2/2011	Chou	D669,522 S	10/2012	Klinar et al.
D633,552 S	3/2011	Yang	D669,925 S	10/2012	Faber et al.
D633,938 S	3/2011	Della Valle et al.	D671,163 S	11/2012	Markovitz et al.
D634,350 S	3/2011	Yang	D671,591 S	11/2012	Markovitz et al.
D634,773 S	3/2011	Fuchs	D671,978 S	12/2012	Markovitz et al.
D634,774 S	3/2011	Fuchs	D671,980 S	12/2012	Sallard
D635,179 S	3/2011	Della Valle et al.	D671,984 S	12/2012	Fuchs
D635,180 S	3/2011	Della Valle et al.	D672,797 S	12/2012	Faber et al.
D636,428 S	4/2011	Della Valle et al.	D673,205 S	12/2012	Earley
D636,808 S	4/2011	Sheldon	D673,599 S	1/2013	Earley
7,931,365 B2	4/2011	Feng et al.	D674,432 S	1/2013	Earley
D637,644 S	5/2011	Gonzalez	D674,434 S	1/2013	Rohrbach
D638,050 S	5/2011	Mage	D674,835 S	1/2013	Esson
D638,463 S	5/2011	Scott	D675,664 S	2/2013	Moritz
D638,464 S	5/2011	Schwarzbauer	D675,665 S	2/2013	Faber et al.
D638,874 S	5/2011	Kutzner	D675,666 S	2/2013	Thixton et al.
D639,845 S	6/2011	Fuchs	D675,670 S	2/2013	Fuchs
D640,308 S	6/2011	Yang	D675,671 S	2/2013	Markovitz et al.
D640,311 S	6/2011	Lombardo et al.	D676,896 S	2/2013	Chen
D640,312 S	6/2011	Lombardo et al.	D677,311 S	3/2013	Markovitz et al.
D640,726 S	6/2011	Leight	D677,312 S	3/2013	Markovitz et al.
D641,774 S	7/2011	Sheldon	D677,313 S	3/2013	Markovitz et al.
D643,459 S	8/2011	Gonzalez	D677,314 S	3/2013	Markovitz et al.
D645,074 S	9/2011	Markovitz et al.	D677,316 S	3/2013	Markovitz et al.
D645,075 S	9/2011	Markovitz et al.	D678,389 S	3/2013	Rohrbach
D645,076 S	9/2011	Markovitz et al.	D678,934 S	3/2013	Yee
D645,500 S	9/2011	Seo et al.	D679,313 S	4/2013	Bachelder
D646,317 S	10/2011	Serlenga	D680,153 S	4/2013	Santoemma et al.
D647,124 S	10/2011	Li	D680,574 S	4/2013	DeCelles et al.
D647,125 S	10/2011	Fuchs	D680,577 S	4/2013	Slosar
D647,950 S	11/2011	Markovitz et al.	D681,093 S	4/2013	Slosar et al.
D648,770 S	11/2011	Yang	D681,094 S	4/2013	Markovitz et al.
D648,771 S	11/2011	Rohrbach	D681,095 S	4/2013	Markovitz et al.
D648,772 S	11/2011	Shin et al.	D681,099 S	4/2013	Markovitz et al.
D648,773 S	11/2011	Thixton	D681,100 S	4/2013	Markovitz et al.
D649,177 S	11/2011	Cho et al.	D682,345 S	5/2013	Fuchs
D649,579 S	11/2011	Thixton	D682,921 S	5/2013	Sallard
D650,002 S	12/2011	Zoonens	D683,389 S	5/2013	Stables
D650,825 S	12/2011	Yee et al.	D685,409 S	7/2013	Sheldon
D650,826 S	12/2011	Markovitz et al.	D685,840 S	7/2013	Della Valle et al.
D652,442 S	1/2012	Yee et al.	D688,728 S	8/2013	Markovitz et al.
D653,699 S	2/2012	Shin	D689,115 S	9/2013	Kim et al.
D654,529 S	2/2012	Markovitz et al.	D689,118 S	9/2013	Koh et al.
D654,530 S	2/2012	Markovitz et al.	D692,047 S	10/2013	Shin
D654,531 S	2/2012	Markovitz et al.	D694,313 S	11/2013	Mage
D654,946 S	2/2012	Markovitz et al.	D694,314 S	11/2013	Mage
			D694,807 S	12/2013	Holloway
			D694,808 S	12/2013	Holloway
			D694,809 S	12/2013	Della Valle et al.
			D697,128 S	1/2014	Szymanski



(56)

## References Cited

## U.S. PATENT DOCUMENTS

D697,548 S	1/2014	Earley	D735,263 S	7/2015	Markovitz et al.
D697,963 S	1/2014	Earley	D735,264 S	7/2015	Markovitz et al.
D700,930 S	3/2014	Earley	D735,794 S	8/2015	Markovitz et al.
D700,933 S	3/2014	Shin	D735,796 S	8/2015	Earley
D701,555 S	3/2014	Markovitz et al.	D735,797 S	8/2015	Aquino
D701,896 S	4/2014	Markovitz et al.	D735,799 S	8/2015	Markovitz et al.
D702,283 S	4/2014	Markovitz et al.	D737,364 S	8/2015	Shin
D702,284 S	4/2014	Markovitz et al.	D737,880 S	9/2015	Markovitz et al.
D702,757 S	4/2014	Thixton et al.	D737,881 S	9/2015	Markovitz et al.
D702,758 S	4/2014	Markovitz et al.	D737,882 S	9/2015	Markovitz et al.
D703,259 S	4/2014	Markovitz et al.	D737,884 S	9/2015	Markovitz et al.
D703,260 S	4/2014	Yoo	D737,885 S	9/2015	Markovitz et al.
D703,729 S	4/2014	Markovitz et al.	D737,886 S	9/2015	Markovitz et al.
D703,730 S	4/2014	Markovitz et al.	D737,887 S	9/2015	Markovitz et al.
D703,731 S	4/2014	Markovitz et al.	D737,888 S	9/2015	Markovitz et al.
D703,732 S	4/2014	Markovitz et al.	D740,879 S	10/2015	Cheung
D704,250 S	5/2014	Miera	D741,398 S	10/2015	Echeverri
D704,764 S	5/2014	Markovitz et al.	D745,595 S	12/2015	Szymanski
D704,765 S	5/2014	Markovitz et al.	D745,922 S	12/2015	Shen
D705,339 S	5/2014	Yoo	D746,356 S	12/2015	Markovitz et al.
D705,340 S	5/2014	Shin	D746,357 S	12/2015	Markovitz et al.
D705,848 S	5/2014	Markovitz et al.	D746,358 S	12/2015	Markovitz et al.
D706,334 S	6/2014	Markovitz et al.	D746,359 S	12/2015	Markovitz et al.
D706,858 S	6/2014	Markovitz et al.	D746,361 S	12/2015	Markovitz et al.
D706,859 S	6/2014	Markovitz et al.	D746,362 S	12/2015	Markovitz et al.
D706,860 S	6/2014	Markovitz et al.	D746,365 S	12/2015	Thixton
D706,861 S	6/2014	Hou	D746,366 S	12/2015	Markovitz et al.
D709,122 S	7/2014	Markovitz et al.	D746,369 S	12/2015	Uhm
D709,548 S	7/2014	Holloway	D746,896 S	1/2016	Markovitz et al.
D709,941 S	7/2014	Rhea et al.	D746,897 S	1/2016	Markovitz et al.
D710,428 S	8/2014	Rhea et al.	D746,898 S	1/2016	Markovitz et al.
D710,429 S	8/2014	Rhea et al.	D746,899 S	1/2016	Markovitz et al.
D710,430 S	8/2014	Votel et al.	D747,403 S	1/2016	Markovitz et al.
D710,431 S	8/2014	Votel et al.	D748,188 S	1/2016	Shin
D710,928 S	8/2014	Heinrich	D748,190 S	1/2016	Shin
D711,958 S	8/2014	Yoo	D748,719 S	2/2016	Hsu
D714,858 S	10/2014	Thixton	D748,720 S	2/2016	Lee et al.
D717,363 S	11/2014	Moritz	D749,581 S	2/2016	Olsson et al.
D717,865 S	11/2014	Votel et al.	D749,670 S	2/2016	Shin
D718,371 S	11/2014	Morton	D750,698 S	3/2016	Hsu
D718,372 S	11/2014	Markovitz et al.	D750,699 S	3/2016	Kennedy
D718,373 S	11/2014	Markovitz et al.	D751,630 S	3/2016	Galleani et al.
D718,805 S	12/2014	Markovitz et al.	D752,678 S	3/2016	Thixton
D718,806 S	12/2014	Markovitz et al.	D753,757 S	4/2016	Markovitz et al.
D719,210 S	12/2014	Votel et al.	D754,783 S	4/2016	Markovitz et al.
D719,998 S	12/2014	Markovitz et al.	D756,447 S	5/2016	Jamin
D720,388 S	12/2014	Markovitz et al.	D761,898 S	7/2016	Yoo
8,911,075 B2	12/2014	Chen	D763,944 S	8/2016	Shin
D720,798 S	1/2015	Lee et al.	D763,947 S	8/2016	Shin
D720,799 S	1/2015	Thixton	D765,161 S	8/2016	Sallard
D720,800 S	1/2015	Shin	D765,162 S	8/2016	DiChiara
D721,128 S	1/2015	Yoo	D765,760 S	9/2016	Votel et al.
D722,103 S	2/2015	Sheldon	D765,761 S	9/2016	Votel et al.
D722,104 S	2/2015	Markovitz et al.	D765,763 S	9/2016	Darcy
D723,092 S	2/2015	Markovitz et al.	D765,764 S	9/2016	Darcy
D723,610 S	3/2015	Chen	D768,759 S	10/2016	Markovitz et al.
D724,135 S	3/2015	Shin	D768,760 S	10/2016	Markovitz et al.
D725,176 S	3/2015	Markovitz et al.	D769,351 S	10/2016	Markovitz et al.
D725,177 S	3/2015	Crescenzi	D769,352 S	10/2016	Markovitz et al.
D727,396 S	4/2015	Markovitz et al.	D769,353 S	10/2016	Markovitz et al.
D727,399 S	4/2015	Markovitz et al.	D769,354 S	10/2016	Markovitz et al.
D727,401 S	4/2015	Markovitz et al.	D769,355 S	10/2016	Markovitz et al.
D727,404 S	4/2015	Markovitz et al.	D769,356 S	10/2016	Markovitz et al.
D727,405 S	4/2015	Damin et al.	D769,357 S	10/2016	Markovitz et al.
D728,664 S	5/2015	Yoo	D769,358 S	10/2016	Markovitz et al.
D728,671 S	5/2015	Chen	D769,359 S	10/2016	Markovitz et al.
D729,865 S	5/2015	Chen	D769,360 S	10/2016	Markovitz et al.
9,028,062 B2	5/2015	Kokonaski et al.	D769,361 S	10/2016	Markovitz et al.
D730,975 S	6/2015	Stables	D769,362 S	10/2016	Markovitz et al.
D731,580 S	6/2015	Chou	D769,962 S	10/2016	Markovitz et al.
D733,212 S	6/2015	Stables	D769,963 S	10/2016	Shin
D733,213 S	6/2015	Stables	9,470,909 B2	10/2016	Willey et al.
D733,791 S	7/2015	Yang	D770,559 S	11/2016	Shin
D734,808 S	7/2015	Markovitz et al.	D771,739 S	11/2016	Shin
D735,262 S	7/2015	Hsu	D772,329 S	11/2016	Hsu
			D772,330 S	11/2016	Hsu
			D774,125 S	12/2016	Hsu
			D774,589 S	12/2016	Hsu
			D775,264 S	12/2016	Fuchs



(56)

## References Cited

## U.S. PATENT DOCUMENTS

D775,265 S 12/2016 Fuchs  
D775,266 S 12/2016 Chen  
D775,686 S 1/2017 Hsu  
D776,751 S 1/2017 Cazalet et al.  
D777,829 S 1/2017 Chen  
D778,341 S 2/2017 Chae  
D778,978 S 2/2017 Renon  
D779,582 S 2/2017 Markovitz et al.  
D780,253 S 2/2017 Earley  
D780,830 S 3/2017 Bonaventura et al.  
D783,081 S 4/2017 Uhm  
D785,077 S 4/2017 Renon  
9,632,329 B2 4/2017 Benvegnu'  
D786,958 S 5/2017 Grasset  
D790,622 S 6/2017 Lanaro  
D791,218 S 7/2017 Dal Pont  
D795,331 S 8/2017 Chen  
D795,948 S 8/2017 Rhea et al.  
D795,949 S 8/2017 Neer et al.  
D797,180 S 9/2017 Uhm  
D797,183 S 9/2017 Flake et al.  
D798,373 S 9/2017 Jamin  
D798,374 S 9/2017 Shin  
D798,375 S 9/2017 Flake et al.  
D799,583 S 10/2017 Earley  
D800,826 S 10/2017 Renon  
D800,827 S 10/2017 Renon  
D801,420 S 10/2017 Fuchs  
D801,425 S 10/2017 Uhm  
D802,047 S 11/2017 Chae  
D803,296 S 11/2017 Park et al.  
D803,297 S 11/2017 Park et al.  
D803,298 S 11/2017 Park et al.  
D803,300 S 11/2017 Park et al.  
D803,301 S 11/2017 Park et al.  
D803,302 S 11/2017 Park et al.  
D803,303 S 11/2017 Park et al.  
D805,121 S 12/2017 Park et al.  
D805,123 S 12/2017 Park et al.  
D809,056 S 1/2018 Flake et al.  
D810,815 S 2/2018 Yoo  
D814,552 S 4/2018 Cox et al.  
D815,186 S 4/2018 Shin  
D816,761 S 5/2018 Lalush et al.  
D818,032 S 5/2018 Fuchs  
D820,347 S 6/2018 Chae  
D823,373 S 7/2018 Hong  
D823,374 S 7/2018 Shin et al.  
D823,929 S 7/2018 Chae  
D823,931 S 7/2018 Shin  
D823,932 S 7/2018 Garfias  
D828,437 S 9/2018 Thixton  
D831,732 S 10/2018 Miera  
D831,733 S 10/2018 Kim  
D831,734 S 10/2018 Thixton  
D835,180 S 12/2018 Miera  
D842,368 S 3/2019 Thixon  
D842,922 S 3/2019 Shin  
2005/0007546 A1 1/2005 Pilat, Jr. et al.  
2005/0243271 A1 11/2005 Oura et al.  
2005/0275793 A1 12/2005 Yamaguchi et al.  
2005/0280771 A1 12/2005 DiChiara et al.  
2006/0238698 A1 10/2006 Sheldon  
2006/0238700 A1 10/2006 Del Vecchio  
2006/0268218 A1 11/2006 Medana  
2007/0013863 A1 1/2007 Zelazowski  
2007/0261155 A1 11/2007 Tabacchi  
2008/0198323 A1 8/2008 Siu  
2010/0064422 A1 3/2010 Dichiaro  
2010/0085533 A1 4/2010 Calilung et al.  
2011/0013134 A1 1/2011 Siu et al.  
2014/0333887 A1 11/2014 Siu et al.  
2014/0340628 A1 11/2014 Huang  
2015/0314167 A1 11/2015 Shiue  
2015/0316784 A1 11/2015 He

2016/0299359 A1 10/2016 Ogawa et al.  
2017/0151735 A1 6/2017 He  
2017/0160561 A1 6/2017 He  
2018/0017809 A1 1/2018 He

## OTHER PUBLICATIONS

Oakley Mens Square Wire Sunglasses, posted at amazon.com, posting date Jan. 17, 2014, [online], [site visited Mar. 28, 2019]. Available from Internet, URL: <https://www.amazon.com/Oakley-Square-Wire-Rectangular-Sunglasses/dp/B00HWK08L2> (Year: 2014).\*

Small Thin Metal Frame Rectangular Eyeglasses, posted at amazon.com, posting date Oct. 9, 2017, [online], [site visited Mar. 28, 2019]. Available from Internet, URL: <https://www.amazon.com/Rectangle-Eyeglasses-Unisex-Spring-Glasses/dp/B01M9EMVAG> (Year: 2017).\*

TANGSen Unisex Vintage Sunglasses, posted at amazon.com, posting date Mar. 12, 2019, [online], [site visited Mar. 28, 2019]. Available from Internet, URL: <https://www.amazon.com/TANGSen-Vintage-Glasses-Rectangular-Sunglasses/dp/B07PN4TN9H> (Year: 2019).\*

Zhile Wrap Polarized Sunglasses, posted at amazon.com, posting date Dec. 12, 2017, [online], [site visited Mar. 28, 2019]. Available from Internet, URL: <https://www.amazon.com/Polarized-Sunglasses-Rectangular-Classic-ZHILE/dp/B07B496YZZ> (Year: 2017).\*

Oakley Holbrook Sunglasses, date first listed Feb. 19, 2010, site visited Aug. 15, 2018, <[https://www.amazon.com/Oakley-OO9102-08-Holbrook-Sunglasses/dp/B013W7ALW4/ref=pd\\_sbs\\_309\\_2?\\_encoding=UTF8&pd\\_rd\\_i=B013W7ALW4&pd\\_rd\\_r=2550eefa-a0ac-11e8-9d58-2bd2892833fa&pd\\_rd\\_w=qcwog&pd\\_rd\\_wg=BSZfB&pf\\_rd\\_i=desktop-dp-sims&pf\\_rd\\_m=AT](https://www.amazon.com/Oakley-OO9102-08-Holbrook-Sunglasses/dp/B013W7ALW4/ref=pd_sbs_309_2?_encoding=UTF8&pd_rd_i=B013W7ALW4&pd_rd_r=2550eefa-a0ac-11e8-9d58-2bd2892833fa&pd_rd_w=qcwog&pd_rd_wg=BSZfB&pf_rd_i=desktop-dp-sims&pf_rd_m=AT)>.

Joplin, date first reviewed Jun. 13, 2015, [www.glassesusa.com](http://www.glassesusa.com), site visited Aug. 18, 2018, Copyright © 2006-2018, <<https://www.glassesusa.com/tortoise-large/joplin/31-p1880.html>>.

Kate Spade Women's Rebec Cat Eye Reading Glasses, date first listed Jul. 2, 2013, site visited Aug. 18, 2018, <[https://www.amazon.com/Kate-Spade-Rebec-Tortoise-Magnification/dp/B007K9WXD6/ref=sr\\_1\\_16?ie=UTF8&qid=1534603185&sr=8-16&keywords=cat+eye+wayfarer](https://www.amazon.com/Kate-Spade-Rebec-Tortoise-Magnification/dp/B007K9WXD6/ref=sr_1_16?ie=UTF8&qid=1534603185&sr=8-16&keywords=cat+eye+wayfarer)>.

Ray-Ban RB2140 Original Wayfarer Sunglasses, date first listed Jun. 21, 2009, site visited Aug. 15, 2018, <[https://www.amazon.com/Ray-Ban-WAYFARER-TORTOISE-POLARIZED-Polarized/dp/B002O8QYK6/ref=sr\\_1\\_1\\_sspa?s=apparel&ie=UTF8&qid=1534349107&sr=1-1-spons&nodeID=7141123011&psd=1&keywords=ray+ban+wayfarer&psc=1](https://www.amazon.com/Ray-Ban-WAYFARER-TORTOISE-POLARIZED-Polarized/dp/B002O8QYK6/ref=sr_1_1_sspa?s=apparel&ie=UTF8&qid=1534349107&sr=1-1-spons&nodeID=7141123011&psd=1&keywords=ray+ban+wayfarer&psc=1)>.

Jimmy Choo Women's Eyeglasses, date first listed Sep. 17, 2014, site visited Aug. 18, 2018, <[https://www.amazon.com/JIMMY-CHOO-Eyeglasses-0EHO-Havana/dp/B00NO65GUG/ref=sr\\_1\\_52\\_sspa?ie=UTF8&qid=1534602730&sr=8-52-spons&keywords=cat+eye+glasses&psc=1](https://www.amazon.com/JIMMY-CHOO-Eyeglasses-0EHO-Havana/dp/B00NO65GUG/ref=sr_1_52_sspa?ie=UTF8&qid=1534602730&sr=8-52-spons&keywords=cat+eye+glasses&psc=1)>.

Spy Optic Kash Sport Polarized Sunglasses, date first listed Oct. 1, 2010, site visited Aug. 15, 2018, <[https://www.amazon.com/dp/B0041TDEZE/ref=sspa\\_dk\\_detail\\_0?psc=1&pd\\_rd\\_i=B0041TDEZE&pf\\_rd\\_m=ATVPPDKIKX0DER&pf\\_rd\\_p=1713835751726239774&pf\\_rd\\_r=XNXJG7ADEWP8504GQP6J&pd\\_rd\\_wg=Fgs6I&pf\\_rd\\_s=desktop-dp-sims&pf\\_rd\\_t=40701&pd](https://www.amazon.com/dp/B0041TDEZE/ref=sspa_dk_detail_0?psc=1&pd_rd_i=B0041TDEZE&pf_rd_m=ATVPPDKIKX0DER&pf_rd_p=1713835751726239774&pf_rd_r=XNXJG7ADEWP8504GQP6J&pd_rd_wg=Fgs6I&pf_rd_s=desktop-dp-sims&pf_rd_t=40701&pd)>.

Costa Oearch Half Moon Sunglasses, date first listed Nov. 8, 2017, site visited Aug. 15, 2018 <[https://www.amazon.com/Costa-Oearch-Sunglasses-Tiger-Mirror/dp/B0778X6DBB/ref=sr\\_1\\_2?ie=UTF8&qid=1534343776&sr=8-2&keywords=costa+del+mar+oearch+half+moon&dpID=31CXDCEGVHL&preST= SX342\\_QL70\\_&dpSrc=srch](https://www.amazon.com/Costa-Oearch-Sunglasses-Tiger-Mirror/dp/B0778X6DBB/ref=sr_1_2?ie=UTF8&qid=1534343776&sr=8-2&keywords=costa+del+mar+oearch+half+moon&dpID=31CXDCEGVHL&preST= SX342_QL70_&dpSrc=srch)>.

Randolph Aviator II Sunglasses, posted at randolphusa.com, posting date not given, [online], [site visited Oct. 31, 2018]. Available from Internet, URL: <https://www.randolphusa.com/men/aviator-ii> (Year: 2018).

Kerecsen rectangle eyeglasses, posted at glasseslit.com, posting date not given, [online], [site visited Nov. 12, 2018]. Available from Internet, URL: <https://www.glasseslit.com/proinfo?pid=2798> (Year: 2018).



(56)

## References Cited

## OTHER PUBLICATIONS

Leo Prescription Eyeglasses, posted at [glassesusa.com](https://www.glassesusa.com/gunmetal-large/leo/31-h10009.html), posting date not given, [online], [site visited Nov. 12, 2018]. Available from Internet, URL: <https://www.glassesusa.com/gunmetal-large/leo/31-h10009.html> (Year: 2018).

Ralph Lauren RL5089 Eyeglasses, posted at [framesdirect.com](https://www.framesdirect.com/ralph-lauren-rl5089-eyeglasses), posting date not given, [online], [site visited Nov. 12, 2018]. Available from Internet, URL: <https://www.framesdirect.com/ralph-lauren-rl5089-eyeglasses> [Year: 2018].

Locs Mens Mirror Color Lens Sunglasses, posted at [amazon.com](https://www.amazon.com/Mirror-Oversize-Plastic-Gangster-Sunglasses/dp/B0765M3QRW), posting date Oct. 5, 2017, [online], [site visited Nov. 12, 2018]. Available from Internet, URL: <https://www.amazon.com/Mirror-Oversize-Plastic-Gangster-Sunglasses/dp/B0765M3QRW> (Year: 2017).

'Saint Laurent 59MM Flat Top Sunglasses, posted at [saksfifthavenue.com](https://www.saksfifthavenue.com/saint-laurent-59mm-flat-top-sunglasses/product/0400089112394), posting date by Jan. 8, 2018, [online], [site visited Nov. 12, 2018]. Available from Internet, URL: <https://www.saksfifthavenue.com/saint-laurent-59mm-flat-top-sunglasses/product/0400089112394> (Year: 2018).

VonZipper Dipstick Rectangular Sunglasses, posted at [amazon.com](https://www.amazon.com/VonZipper-Dipstick-Rectangular-Sunglasses/dp/B00VWEQHS2/), posting date Mar. 2, 2016, [online], [site visited Nov. 12, 2018]. Available from Internet, URL: <https://www.amazon.com/VonZipper-Dipstick-Rectangular-Sunglasses/dp/B00VWEQHS2/> (Year: 2016).

Oakley Men's Twoface Rectangular Sunglasses, date first listed Mar. 15, 2013, site visited Nov. 19, 2018, <[https://www.amazon.com/Oakley-Twoface-Polarized-Rectangular-Sunglasses/dp/B00BUF7JOE/ref=sr\\_1\\_fkmr0\\_1?ie=UTF8&qid=1542653142&sr=8-1-1fkmr0&keywords=oakley+twoface+valencia](https://www.amazon.com/Oakley-Twoface-Polarized-Rectangular-Sunglasses/dp/B00BUF7JOE/ref=sr_1_fkmr0_1?ie=UTF8&qid=1542653142&sr=8-1-1fkmr0&keywords=oakley+twoface+valencia)>.

Costa Seamount Eyeglasses Collection | SportRx, [www.youtube.com](https://www.youtube.com/watch?time_continue=9&v=H6O5hp8ZjZc), date published Nov. 3, 2016, site visited Nov. 19, 2018, [https://www.youtube.com/watch?time\\_continue=9&v=H6O5hp8ZjZc](https://www.youtube.com/watch?time_continue=9&v=H6O5hp8ZjZc).

Costa Pacific Rise Eyeglasses Collection | SportRx, [www.youtube.com](https://www.youtube.com/watch?v=8ZGdPFd250Y), date published Nov. 2, 2016, site visited Nov. 19, 2018, <<https://www.youtube.com/watch?v=8ZGdPFd250Y>>.

Joopin Semi Rimless Polarized Sunglasses Women Men Retro Brand Sun Glasses, date first listed Feb. 27, 2016, <[https://www.amazon.com/Joopin-Polarized-Sunglasses-Brilliant-packaging/dp/B01N1VHZS/ref=sr\\_1\\_5?ie=UTF8&qid=1542649713&sr=8-5&keywords=joopin+semi+rिमless+polarized+sunglasses+women+men+retro+brand](https://www.amazon.com/Joopin-Polarized-Sunglasses-Brilliant-packaging/dp/B01N1VHZS/ref=sr_1_5?ie=UTF8&qid=1542649713&sr=8-5&keywords=joopin+semi+rिमless+polarized+sunglasses+women+men+retro+brand)>.

Bayside Polarized Sunglasses, posted at [costadelmar.com](https://www.costadelmar.com/us/en/angler/bayside/BAY.html), posting date not given, [online], [site visited Nov. 14, 2018]. Available from Internet, URL: <https://www.costadelmar.com/us/en/angler/bayside/BAY.html> (Year: 2018).

Goodr Running Sunglasses, posted at [runningnw.com](https://runningnw.com/2016/08/15/gear-review-goodr-running-sunglasses/), posting date Aug. 15, 2016, [online], [site visited Nov. 14, 2018]. Available from Internet, URL: <https://runningnw.com/2016/08/15/gear-review-goodr-running-sunglasses/> (Year: 2016).

Jay Featherlight Range, posted at [birdsunglasses.com](https://birdsunglasses.com/product/jay-brown-bamboo/), posting date not given, [online], [site visited Nov. 14, 2018]. Available from Internet, URL: <https://birdsunglasses.com/product/jay-brown-bamboo/> (Year: 2018).

cape Polarized Sunglasses, posted at [costadelmar.com](https://www.costadelmar.com/us/en/men/sunglasses/view-all/cape/CAP.html?cgid=mens-sunglasses-all), posting date not given, [online], [site visited Nov. 15, 2018]. Available from Internet, URL: <https://www.costadelmar.com/us/en/men/sunglasses/view-all/cape/CAP.html?cgid=mens-sunglasses-all> (Year: 2018).

Fishoholic Polarized Fishing Sunglasses, posted at [amazon.com](https://www.amazon.com/dp/B07GCWWLJK/), posting date by Aug. 29, 2018, [online], [site visited Nov. 15, 2018]. Available from Internet, URL: <https://www.amazon.com/dp/B07GCWWLJK/> (Year: 2018).

Smith Dragstrip Elite Eye Pro Sunglasses, posted at [smithoptics.com](https://www.smithoptics.com/Root/Men%27s/Sunglasses/Elite-Eye-Pro/Dragstrip-Elite/p/DGTPC22CLBK), posting date not given, [online], [site visited Nov. 15, 2018]. Available from Internet, URL: <https://www.smithoptics.com/Root/Men%27s/Sunglasses/Elite-Eye-Pro/Dragstrip-Elite/p/DGTPC22CLBK> (Year: 2018).

Animal Cab Wide Temple Wrap Sunglasses, posted at [redhotsunglasses.co.uk](https://www.redhotsunglasses.co.uk/sunglasses-c29/mens-sunglasses-c60/animal-cab-wide-temple-wrap-sunglasses-in-black-polarised-ani019-p7740), no posting date, [online], [site visited Nov. 15, 2018]. Available from Internet, URL: <https://www.redhotsunglasses.co.uk/sunglasses-c29/mens-sunglasses-c60/animal-cab-wide-temple-wrap-sunglasses-in-black-polarised-ani019-p7740> (Year: 2018).

Montauk Polarized Sunglasses, posted at [costadelmar.com](https://www.costadelmar.com/us/en/angler/montauk/MTK.html), posting date not given, [online], [site visited Nov. 15, 2018]. Available from Internet, URL: <https://www.costadelmar.com/us/en/angler/montauk/MTK.html> (Year: 2018).

Oakley Crankshaft Prescription Sunglasses, posted at [glassesusa.com](https://www.glassesusa.com/black-extra-large/oakley-crankshaft/62-000923992390160.html), posting date not given, [online], [site visited Nov. 15, 2018]. Available from Internet, URL: <https://www.glassesusa.com/black-extra-large/oakley-crankshaft/62-000923992390160.html> (Year: 2018).

Kahi Polarized Sunglasses, posted at [mauijim.com](https://www.mauijim.com/US/en_US/shop/sunglasses/wrap/kahi), posting date not given, [online], [site visited Nov. 15, 2018]. Available from Internet, URL: [https://www.mauijim.com/US/en\\_US/shop/sunglasses/wrap/kahi](https://www.mauijim.com/US/en_US/shop/sunglasses/wrap/kahi) (Year: 2018).

Merry's Unisex Polarized Aluminum Sunglasses, posted at [amazon.com](https://www.amazon.com/MERRY-S-Polarized-Aluminum-Sunglasses-Vintage/dp/B01M28CMSY), posting date Oct. 24, 2018, [online], [site visited Nov. 15, 2018]. Available from Internet, URL: <https://www.amazon.com/MERRY-S-Polarized-Aluminum-Sunglasses-Vintage/dp/B01M28CMSY> (Year: 2016).

Ocearch Slack Tide Polarized Sunglasses, posted at [costadelmar.com](https://www.costadelmar.com/us/en/men/sunglasses/ocearch-slack-tide/SLT+OCEARCH.html?cgid=mens-sunglasses), posting date not given, [online], [site visited Nov. 15, 2018]. Available from Internet, URL: <https://www.costadelmar.com/us/en/men/sunglasses/ocearch-slack-tide/SLT+OCEARCH.html?cgid=mens-sunglasses> (Year:2018).

Costa del Mar Blue Mirror & Palladium Palapa Aviator Sunglasses, posted at [zulily.com](https://www.zulily.com/p/blue-mirror-palladium-palapa-aviator-sunglasses-unisex-290224-55433671.html), posting date not given, [online], [site visited Nov. 19, 2018]. Available from Internet, URL: <https://www.zulily.com/p/blue-mirror-palladium-palapa-aviator-sunglasses-unisex-290224-55433671.html> (Year: 2018).

G&G Polarized Pilot Sunglasses Square Bayonet, posted at [gogglesandglasses.com](https://www.gogglesandglasses.com/GG-Polarized-Pilot-Sunglasses-Square-Bayonet-Temple-Aviator-Black-_p_9518.html), posting date not given, [online], [site visited Nov. 19, 2018]. Available from Internet, URL: [https://www.gogglesandglasses.com/GG-Polarized-Pilot-Sunglasses-Square-Bayonet-Temple-Aviator-Black-\\_p\\_9518.html](https://www.gogglesandglasses.com/GG-Polarized-Pilot-Sunglasses-Square-Bayonet-Temple-Aviator-Black-_p_9518.html) (Year: 2018).

Ray-Ban Caravan sunglasses, posted at [ray-ban.com](https://www.ray-ban.com/usa/sunglasses/RB3136%20UNISEX%20004-caravan-gold/805289003465), posting date not given, [online], [site visited Nov. 19, 2018]. Available from Internet, URL: <https://www.ray-ban.com/usa/sunglasses/RB3136%20UNISEX%20004-caravan-gold/805289003465> (Year: 2018).

Wingman Aviator Sunglasses, posted at [costadelmar.com](https://www.costadelmar.com/us/en/metal-sunglasses/wingman/WM.html), posting date not given, [online], [site visited Nov. 19, 2018]. Available from Internet, URL: <https://www.costadelmar.com/us/en/metal-sunglasses/wingman/WM.html> (Year: 2018).

Costa Optical Collection: Costa When the Sun Goes Down, [www.youtube.com](https://www.youtube.com/watch?v=rzh6aOTwc4), date published Oct. 31, 2016, site visited Sep. 17, 2018, <<https://www.youtube.com/watch?v=rzh6aOTwc4>>.

Oakley—Limit Switch (53)—Satin Black Frame Only, date first listed Sep. 15, 2016, site visited Sep. 17, 2018, <[https://www.amazon.com/Oakley-Limit-Switch-Satin-Black/dp/B01LXUP296/ref=sr\\_1\\_1?ie=UTF8&qid=1537184119&sr=8-1&keywords=oakley+limit+switch](https://www.amazon.com/Oakley-Limit-Switch-Satin-Black/dp/B01LXUP296/ref=sr_1_1?ie=UTF8&qid=1537184119&sr=8-1&keywords=oakley+limit+switch)>.

Oakley OX5119-511903 Limit Switch 0.5 Eyeglasses 52mm, date first listed Sep. 18, 2017, site visited Sep. 17, 2018, [www.amazon.com](https://www.amazon.com).

Oakley Barrelhouse 0.5 (53) Mens Eyeglass Frames, date first listed Jun. 2, 2014, Site Visited Oct. 16, 2018, [www.amazon.com](https://www.amazon.com).

Costa Del Mar PROP Sunglasses, posted at [amazon.com](https://www.amazon.com/Costa-Del-Mar-PROP-Sunglass/dp/B00I705EF6), posting date Feb. 6, 2014, [online], [site visited Jan. 28, 2019]. Available from internet, URL: <https://www.amazon.com/Costa-Del-Mar-PROP-Sunglass/dp/B00I705EF6> (Year: 2014).

Prada 71mm Semi Rimless Sunglasses, posted at [nordstrom.com](https://shop.nordstrom.com/s/prada-71mm-semi-rimless-sunglasses/3656848), posting date not given, [online], [site visited Jan. 29, 2019]. Available from Internet, URL: <https://shop.nordstrom.com/s/prada-71mm-semi-rimless-sunglasses/3656848> (Year: 2019).

Tifosi Veloce Black Semi-Rimless Sunglasses, posted at [overstock.com](https://www.overstock.com/Clothing-Shoes/Tifosi-Mens-Mirrored-Veloce-1040200115-Black-Semi-Rimless-Sunglasses/18901058/product.html), posting date not given, [online], [site visited Jan. 29, 2019]. Available from Internet, URL: <https://www.overstock.com/Clothing-Shoes/Tifosi-Mens-Mirrored-Veloce-1040200115-Black-Semi-Rimless-Sunglasses/18901058/product.html> (Year: 2019).

Magpul Summit Tortoise Frame Safety Glasses, posted at [primaryarms.com](https://www.primaryarms.com/magpul-summit-tortoise-frame-with-bronze-blue-lens-safety-glasses-polarized), posting date not given, [online], [site visited Jan. 29, 2019]. Available from Internet, URL: <https://www.primaryarms.com/magpul-summit-tortoise-frame-with-bronze-blue-lens-safety-glasses-polarized> (Year: 2019).

Oakley Men's Mainlink Non-Polarized Rectangular Sunglasses, posted at [amazon.com](https://www.amazon.com), posting date Jan. 18, 2016, [online], [site



(56)

## References Cited

## OTHER PUBLICATIONS

visited Jan. 29, 2019]. Available from Internet, URL: <https://www.amazon.com/Oakley-Mainlink-Non-Polarized-Rectangular-Sunglasses/dp/B01ARBRLJ4> (Year: 2016).

Costa Del Mar Eyeglasses Bimini Road, posted at amazon.com, posting date Nov. 23, 2018, [online], [site visited Feb. 2, 2019]. Available from Internet, URL: <https://www.amazon.com/Costa-Del-Mar-Eyeglasses-Optical/dp/B07KTHHBFX> (Year: 2018).

Frontpage Brooklyn Reading Glasses, posted at thinoptics.com, posting date not given, [online], [site visited Feb. 2, 2019]. Available from Internet, URL: <https://www.thinoptics.com/brooklyn-reading-glasses-milano-case> (Year: 2019).

The Fairfax Reading Glasses with Straight Temples, posted at amazon.com, posting date not given, [online], [site visited Feb. 2, 2019]. Available from Internet, URL: <https://www.amazon.com/Readers-com-Fairfax-Reading-Straight-Rectangle/dp/B00AN6CBPS> (Year: 2019).

Bertha Sports Glasses, posted at amazon.com, posting date Aug. 22, 2017, [online], [site visited Feb. 4, 2019]. Available from Internet, URL: <https://www.amazon.com/Glasses-Interchangeable-Running-Fishing-Baseball/dp/B075291LXCM> (Year: 2017).

Costa del Mar Anaa Sunglasses, posted at amazon.com, posting date Dec. 11, 2015, [online], [site visited Feb. 4, 2019]. Available from Internet, URL: <https://www.amazon.com/Costa-Mar-ANA-105-Sunglasses/dp/B0181CU4PE> (Year: 2015).

Costa Del Mar Copra Sunglasses, posted at amazon.com, posting date Dec. 6, 2015, [online], [site visited Feb. 4, 2019]. Available from Internet, URL: <https://www.amazon.com/Costa-Del-Mar-Copra-Sunglasses/dp/B0190TBZUA> (Year: 2015).

Goson Vintage Hipster Blue Black two tone Frame, posted at amazon.com, posting date Oct. 21, 2016, [online], [site visited Feb. 4, 2019]. Available from Internet, URL: <https://www.amazon.com/Goson-Vintage-Hipster-Wayfarer-Glasses/dp/B01M8MGOQR> (Year: 2016).

Matte Frame Sunglasses Two Tone, posted at alibaba.com, posting date not given, [online], [site visited Feb. 4, 2019]. Available from Internet, URL: [https://www.alibaba.com/product-detail/Matte-frame-Sunglasses-rubber-finished-glasses\\_1662327138.html](https://www.alibaba.com/product-detail/Matte-frame-Sunglasses-rubber-finished-glasses_1662327138.html) (Year: 2019).

Mesquite Acetate Eyeglasses, posted at eyebuydirect.com, posting date not given, [online], [site visited Feb. 4, 2019]. Available from Internet, URL: <https://www.eyebuydirect.com/eyeglasses/frames/mesquite-black-yellow-s-15977> (Year: 2019).

Fathom, GlassMirror Lens. Costa Del Mar. Downloaded Dec. 7, 2006 at <http://www.eyeglasses.com/product/1091472073-1091472073>.

José, Blue Mirror Lens. Costa Del Mar. Downloaded Apr. 20, 2012 at <http://www.costadelmar.com/shop/sunglasses/jose>.

Cheeca, Copper Lens. Costa Del Mar. Downloaded Apr. 20, 2012 at <http://www.costadelmar.com/shop/sunglasses/cheeca>.

Bonita, Gray Lens. Costa Del Mar. Downloaded Apr. 20, 2012 at <http://www.costadelmar.com/shop/sunglasses/bonita>.

Native Product Catalog Two Thousand Thirteen. Costa Del Mar. 2012. pp. 6-7.

Costa 2013 Workbook. Costa Del Mar. 2012. pp. 14-19.

Costa Del Mar Bloke Sunglasses, posted at amazon.com, posting date Oct. 31, 2016, [online], [site visited Dec. 11, 2017]. Available from Internet, URL: <https://www.amazon.com/gp/product/B01M4QFHTR/>.

Costa Del Mar Reefon Sunglasses, posted at dickssportinggoods.com, posting date not given, [online], [site visited Dec. 11, 2017]. Available from Internet, URL: <https://www.dickssportinggoods.com/p/costa-del-mar-reefton-580p-polarized-sunglasses-17cdeurftnmttrtgsgs/17cdeurftnmttrtgsgs>.

Costa Del Mar Polarized Sunglasses, posted at dickssportinggoods.com, posting date not given, [online], [site visited Dec. 4, 2017]. Available from Internet, URL: <https://www.dickssportinggoods.com/p/costa-del-mar-mens-fantail-sunglasses-16demfntlsrdblmrsgs/16demfntlsrdblmrsgs>.

Cruz Matte Gold, posted at diffeyewear.com, posting date not given, [online], [site visited Nov. 30, 2017]. Available from Internet, URL: <https://www.diffeyewear.com/products/cruz-matte-gold-frame-brown-gradient-lensffeyewear.com>.

Field & Stream Breakpoint Sunglasses, posted at dickssportinggoods.com, posting date not given, [online], [site visited Dec. 11, 2017]. Available from Internet, URL: <https://www.dickssportinggoods.com/p/field-stream-breakpoint-polarized-sunglasses-16fnsmbkrpntblksmsgsgs/16fnsmbkrpntblksmsgsgs>.

G&G Polarized Square Aviator, posted at amazon.com, posting date Jul. 11, 2014, [online], [site visited Dec. 2, 2017]. Available from Internet, URL: <https://www.amazon.com/Polarized-Square-Aviator-Sunglasses/dp/B00LPQVIMC>.

Givenchy Flat Top Sunglasses, posted at shopbop.com, posting date not given, [online], [site visited Dec. 1, 2017]. Available from Internet, URL: <https://www.shopbop.com/flat-top-sunglasses-givenchy/vp/v=1/1530803009.htm>.

Guess Mens GU6835 Sunglasses, posted at amazon.com, posting date Apr. 19, 2016, [online], [site visited Dec. 2, 2017]. Available from Internet, URL: <https://www.amazon.com/Guess-Mens-GU6835-Rectangular-Sunglasses/dp/B01EI1UYIE>.

Lionel Eyeglasses, posted at warbyparker.com, posting date not given, [online], [site visited Nov. 30, 2017]. Available from Internet, URL: <https://www.warbyparker.com/eyeglasses/men/lionel/jet-silver>.

Maui Jim Stingray, posted at amazon.com, posting date Mar. 12, 2003, [online], [site visited Dec. 4, 2017]. Available from Internet, URL: <https://www.amazon.com/Maui-Jim-Sunglasses-Stingray-Polarized/dp/B002FU6T8U/>.

Piper Sunglasses, posted at costadelmar.com, posting date not given, [online], [site visited Nov. 30, 2017]. Available from Internet, URL: <https://www.costadelmar.com/us/en/men/sunglasses/view-al/piper/PIP.html>.

Premium Asian Fit Sports Square Aviator Sunglasses, posted at shopzerouv.com, posting date not given, [online], [site visited Dec. 2, 2017]. Available from Internet, URL: <https://www.shopzerouv.com/collections/aviator-sunglasses/products/premium-asian-fit-sports-metal-frame-square-aviator-sunglasses-8529>.

Saint Laurent SL1 Flat Top Sunglasses, posted at nordstrom.com, posting date not given, [online], [site visited Dec. 1, 2017]. Available from Internet, URL: <https://shop.nordstrom.com/s/saint-laurent-sl1-59mm-flat-top-sunglasses/4247673>.

Saint Laurent Combi Flat Top Sunglasses, posted at nordstrom.com, posting date not given, [online], [site visited Dec. 1, 2017]. Available from Internet, URL: <https://shop.nordstrom.com/s/saint-laurent-combi-59mm-flat-top-sunglasses/4796172>.

Serengeti Pareto Sunglasses, posted at amazon.com, posting date not given, [online], [site visited Dec. 2, 2017]. Available from Internet, URL: <https://www.amazon.com/Serengeti-Pareto-Sunglasses-Polar-Drivers/dp/B007OXZ3TE/>.

Suncloud Conductor Polarized Sunglasses, posted at amazon.com, posting date not given, [online], [site visited Dec. 4, 2017]. Available from Internet, URL: <https://www.amazon.com/Suncloud-SCDPPBRTT-P-Conductor-Polarized-Sunglasses/dp/B00BY3Z9VW>.

Super Dark Black Lens Sunglasses, posted at amazon.com, posting date Aug. 30, 2013, [online], [site visited Dec. 1, 2017]. Available from Internet, URL: <https://www.amazon.com/SUPER-Black-Sunglasses-Square-Oversized/dp/B00EVYYLNI>.

Thom Browne Gold Aviator Glasses, posted at ssense.com, posting date not given, [online], [site visited Nov. 30, 2017]. Available from Internet, URL: <https://www.ssense.com/en-us/women/product/thom-browne/gold-aviator-glasses/2041893>.

Toms Unisex Navigator, posted at amazon.com, posting date Apr. 9, 2015, [online], [site visited Dec. 2, 2017]. Available from Internet, URL: <https://www.amazon.com/TOMS-Unisex-Navigator/dp/B01F2OGJB2>.

Victoria Beckham Gold Grooved Aviator Glasses, posted at ssense.com, posting date not given, [online], [site visited Jan. 30, 2017]. Available from Internet, URL: <https://www.ssense.com/en-us/women/product/victoria-beckham/gold-grooved-aviator-glasses/2466238>.

Black and Silver Square Half Rim Sunglasses, posted at amazon.com, posting date Sep. 8, 2011, [online], [site visited Mar. 1, 2019].



(56)

**References Cited**

## OTHER PUBLICATIONS

Available from Internet, URL: <https://www.amazon.com/Black-Silver-Square-Retro-Sunglasses/dp/B005LUX4F> (Year: 2011).

Kids Retro Square Half Rim Sunglasses, posted at amazon.com, posting date Aug. 3, 2017, [online], [site visited Mar. 1, 2019].

Available from Internet, URL: <https://www.amazon.com/Kids-Retro-Square-Half-Sunglasses/dp/B074JKPDWN> (Year: 2017).

Woodies Half-Rim Ebony Wood Sunglasses, posted at amazon.com, posting date Oct. 21, 2016, [online], [site visited Mar. 1, 2019].

Available from Internet, URL: <https://www.amazon.com/WOODIES-Half-Rim-Sunglasses-Polarized-Lenses/dp/B078H5M5GB> (Year: 2016).

Woodies Ebony Wood Sunglasses, posted at amazon.com, posting date Jun. 26, 2016, [online], [site visited Feb. 28, 2019]. Available from Internet, URL: <https://www.amazon.com/dp/B01N2675SY/> (Year: 2016).

Forecast Optics Cid Sunglasses, posted at amazon.com, posting date by Sep. 23, 2014, [online], [site visited Mar. 27, 2019]. Available from Internet, URL: <https://www.amazon.com/Forecast-Optics-CID-Sunglass/dp/B00LGXFJ7E/> (Year: 2014).

Forecast Optics Ziggie Sunglasses, posted at amazon.com, posting date by Jan. 18, 2015, [online], [site visited Mar. 27, 2019].

Available from Internet, URL: <https://www.amazon.com/Forecast-Optics-ZIGGIE-ziggie-Sunglass/dp/B00LGXH0LM/> (Year: 2015).

Knockaround Premiums Unisex Sunglasses, posted at amazon.com, posting date Jan. 17, 2018, [online], [site visited Mar. 27, 2019].

Available from Internet, URL: <https://www.amazon.com/Knockaround-Premiums-Unisex-Sunglasses-Protection/dp/B07J9RTLGN> (Year: 2018).

Oakley Moonlighter Sunglasses, posted at amazon.com, posting date Feb. 6, 2016, [online], [site visited Mar. 27, 2019]. Available from Internet, URL: <https://www.amazon.com/Oakley-Womens-Moonlighter-Polarized-Sunglasses/dp/B01BDT5QQQ> (Year: 2016).

Benji Frank Carter Black Eyeglasses, posted at amazon.com, posting date Oct. 2, 2013, [online], [site visited Mar. 28, 2019].

Available from Internet, URL: <https://www.amazon.com/Benji-Frank-Vintage-Eyeglasses-Designer/dp/B00FL2IUPY> (Year: 2013).

Leico Fashion Polarized Half Frame Classic Retro Sunglasses, posted at amazon.com, posting date Feb. 1, 2017, [online], [site visited Mar. 28, 2019].

Available from Internet, URL: <https://amazon.com/Polarized-Frame-Classic-Retro-Sunglasses/dp/B01N9XGNRF> (Year: 2017).

E8 Element Eight Wire Frame Sunglasses, posted at amazon.com, posting date Feb. 2, 2018, [online], [site visited Mar. 28, 2019].

Available from Internet, URL: <https://amazon.com/Element-Eight-Metal-Polarized-Sunglasses/dp/B079K5F357> (Year: 2018).

TANGSen Unisex Vintage Sunglasses, posted at amazon.com, posting date Mar. 12, 2019, [online], [site visited Mar. 28, 2019].

Available from Internet, URL: <https://amazon.com/TANGSen-Vintage-Glasses-Rectangular-Sunglasses/dp/B07PN4TN9H> (Year: 2019).

Zhile Wrap Polarized Sunglasses, posted at amazon.com, posting date Dec. 12, 2017, [online], [site visited Mar. 28, 2019]. Available from Internet, URL: <https://amazon.com/Polarized-Sunglasses-Rectangular-Classic-ZHILE/dp/B07B496YZZ> (Year: 2017).

Computer Reading Glasses, posted at amazon.com, posting date by Jan. 8, 2018, [online], [site visited Mar. 26, 2019]. Available from Internet, URL: <https://www.amazon.com/Computer-Reading-Glasses-Spring-Eyeglasses/dp/B0785R7HBN> (Year: 2018).

Available from Internet, URL: <https://www.amazon.com/Computer-Reading-Glasses-Spring-Eyeglasses/dp/B0785R7HBN> (Year: 2018).

\* cited by examiner



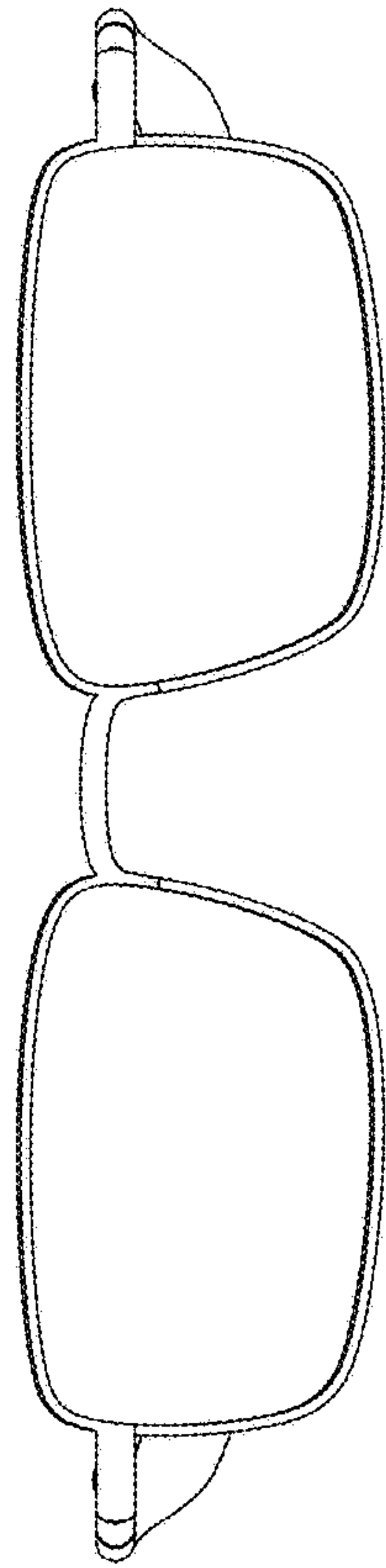


figure 1



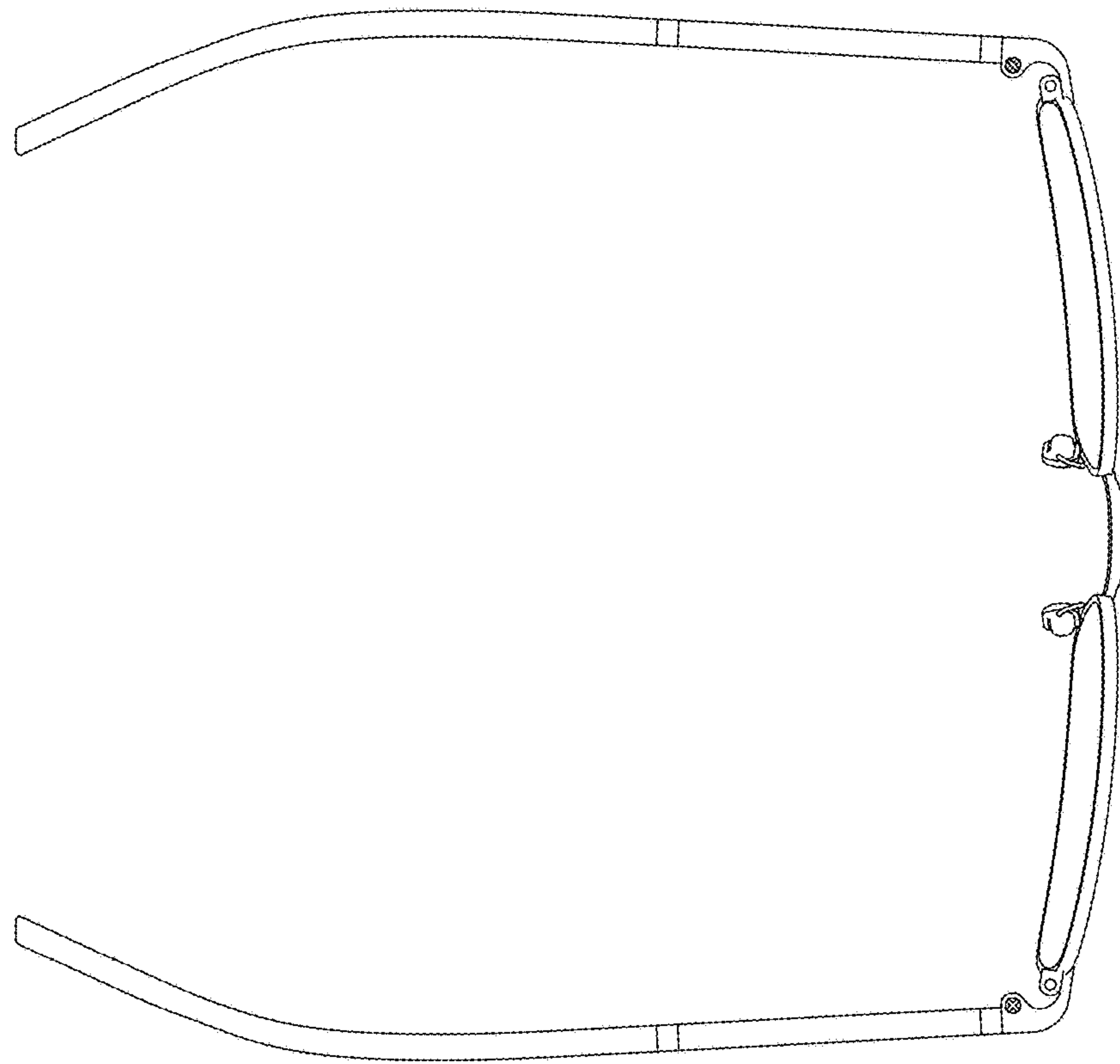


figure 2



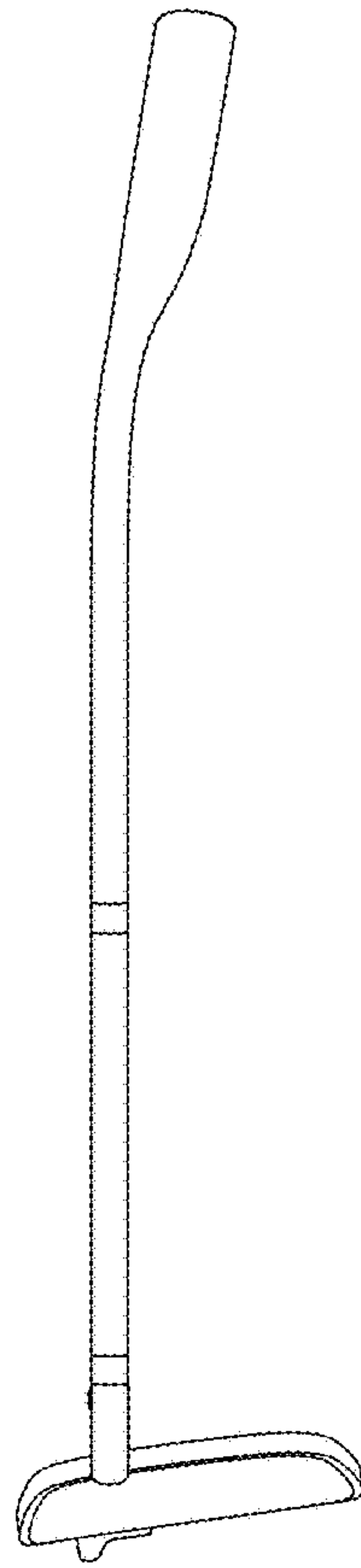


figure 3



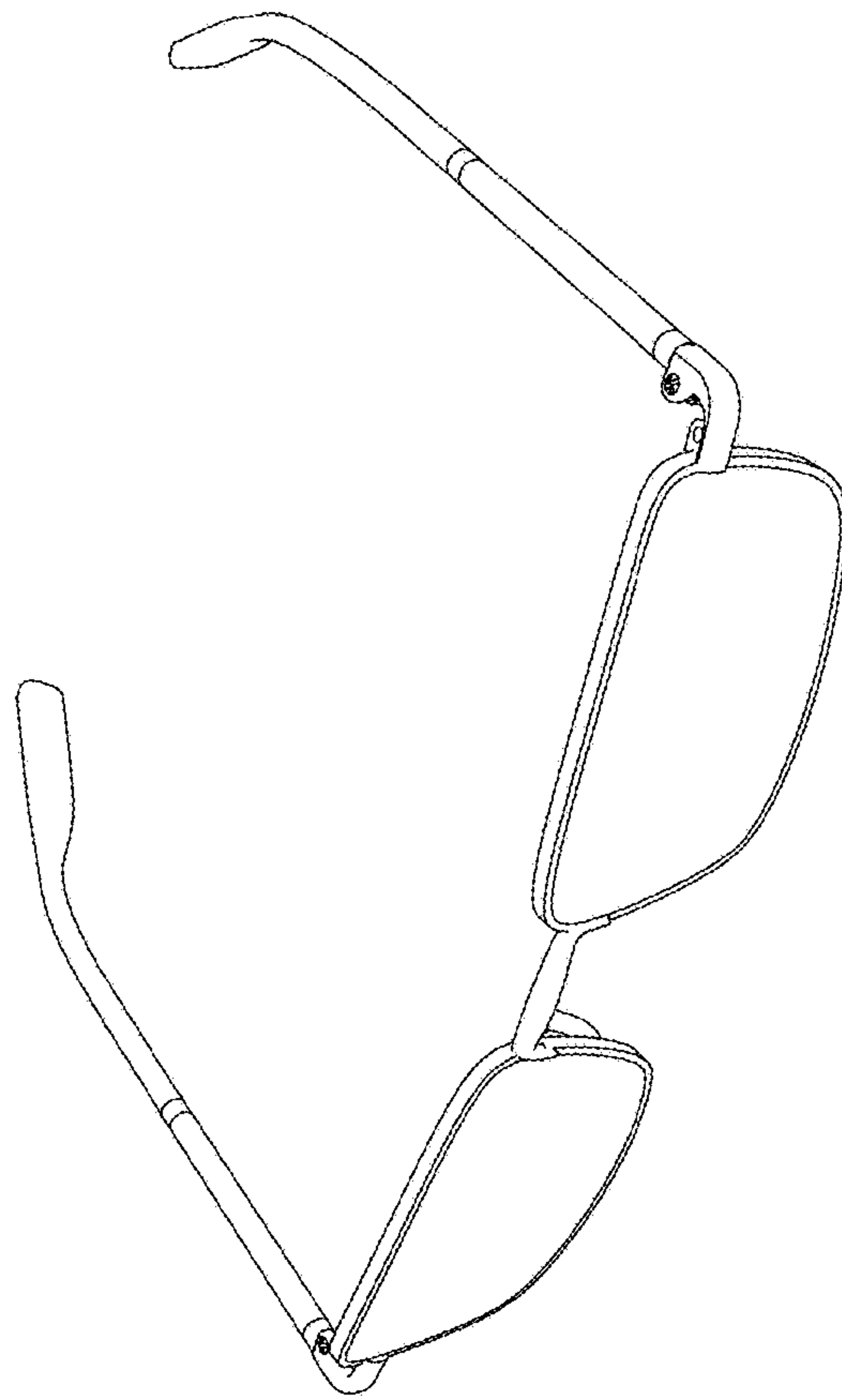


figure 4

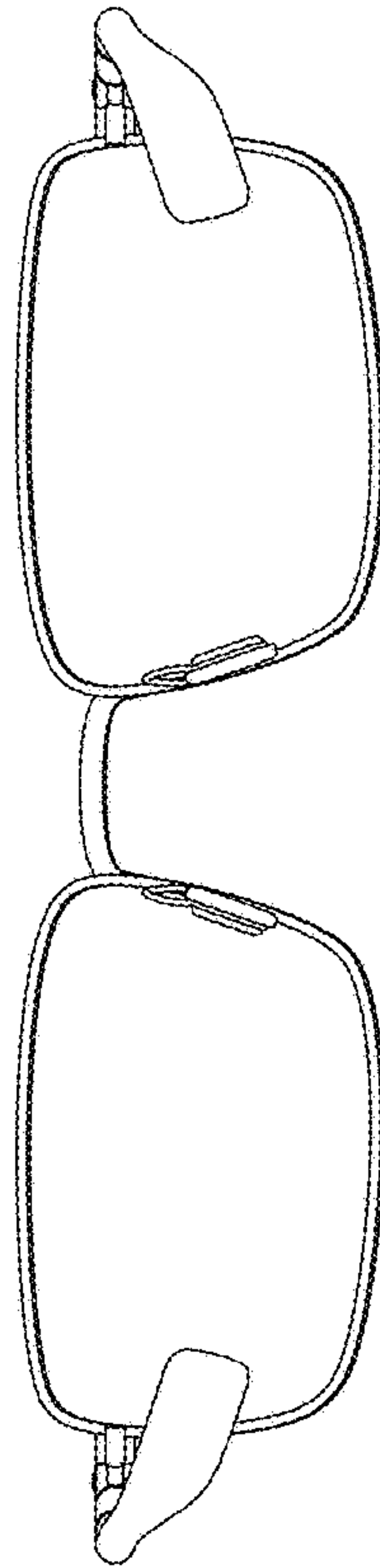


figure 5



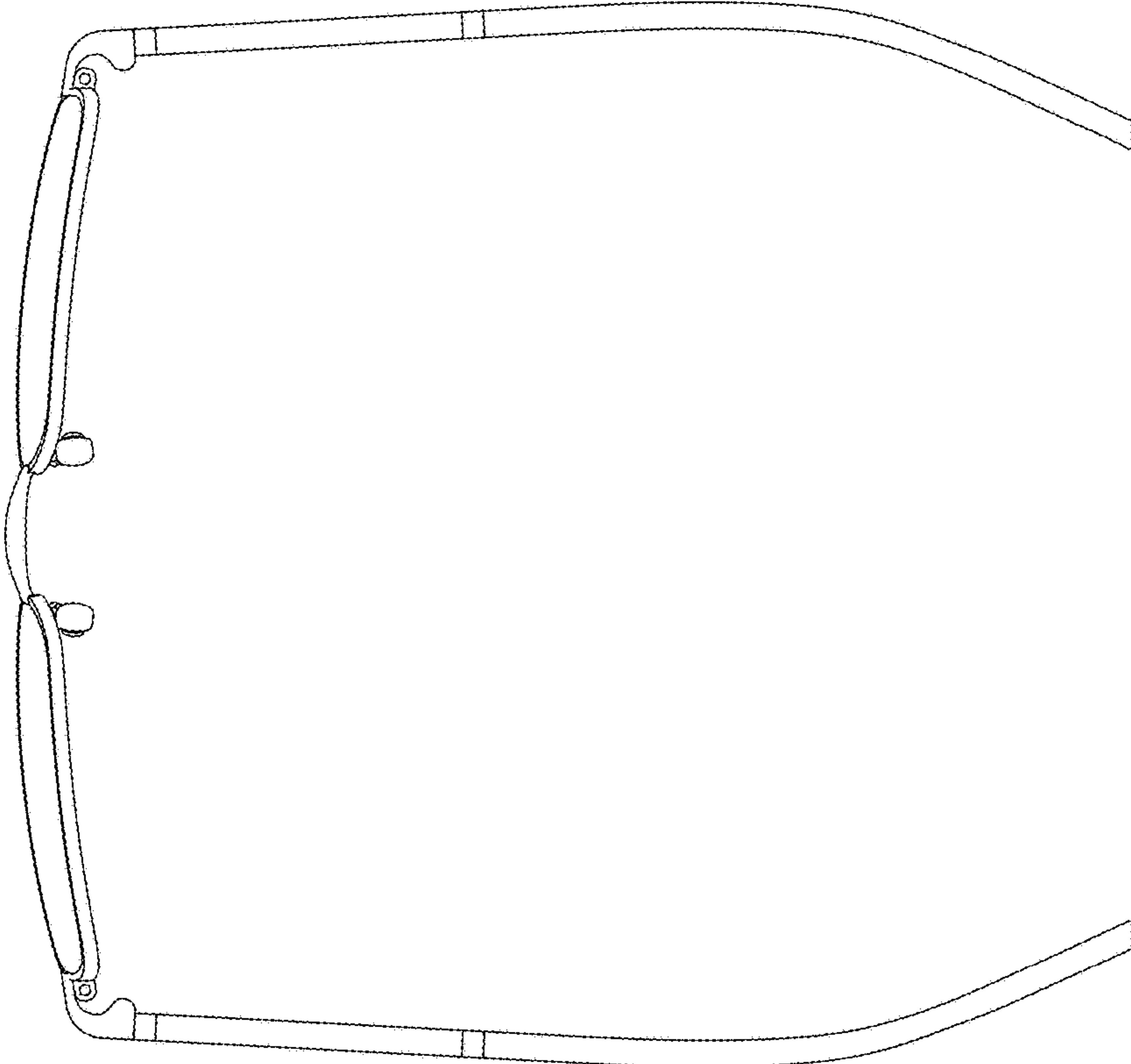


figure 6