



US00D856400S

(12) **United States Design Patent** (10) **Patent No.:** **US D856,400 S**
Harms et al. (45) **Date of Patent:** **** Aug. 13, 2019**

(54) **SHIRT CLIP FOR CAMERA** 6,457,218 B1 * 10/2002 Lawrence B42F 1/10
 24/3.12

(71) Applicant: **Trinity Innovative Solutions, LLC,** D477,029 S 7/2003 Korowitz
 Little Elm, TX (US) D477,364 S 7/2003 Tsai
 (Continued)

(72) Inventors: **Dwight David Harms,** The Colony, TX
 (US); **Timothy Francis Hall,** The
 Colony, TX (US)

(73) Assignee: **TRINITY INNOVATIVE**
SOLUTIONS, LLC, Little Elm, TX
 (US)

(**) Term: **15 Years**

(21) Appl. No.: **29/638,106**

(22) Filed: **Feb. 23, 2018**

(51) **LOC (12) Cl.** **16-05**

(52) **U.S. Cl.**
 USPC **D16/237**

(58) **Field of Classification Search**
 USPC D16/219, 237-250; D14/224, 229, 238,
 D14/251, 253, 447, 451, 457; D8/354,
 D8/355, 363, 373, 382, 383, 394, 395,
 D8/396, 397, 398

CPC .. A45F 5/00; A45F 5/10; F16M 11/06; F16M
 11/07; F16M 11/08; F16M 11/09; F16M
 11/10; G02B 7/00-002; G03B 17/56;
 G03B 17/561; G03B 17/563; G03B
 17/565; G03B 17/566; G03B 17/568;
 H04N 5/2253-5/2254

See application file for complete search history.

(56) **References Cited**

U.S. PATENT DOCUMENTS

4,228,569 A	10/1980	Snyder
D306,870 S	3/1990	Overstreet
5,159,730 A	11/1992	Radvin
5,452,500 A	6/1995	Revis
D386,215 S	11/1997	White et al.
D393,797 S	4/1998	Kostigian
D438,452 S	3/2001	Tsai

OTHER PUBLICATIONS

Action Camera Accessories Bag Clip Backpack Mount. [online]
 Published Apr. 20, 2018. Retrieved Nov. 16, 2018 from URL:
https://www.gearbest.com/action-cameras-sport-dv-accessories/pp_1634764.html.*

(Continued)

Primary Examiner — Vy N Koenig

(74) *Attorney, Agent, or Firm* — David W. Carstens; J.
 Andrew Reed; Carstens & Cahoon, LLP

(57) **CLAIM**

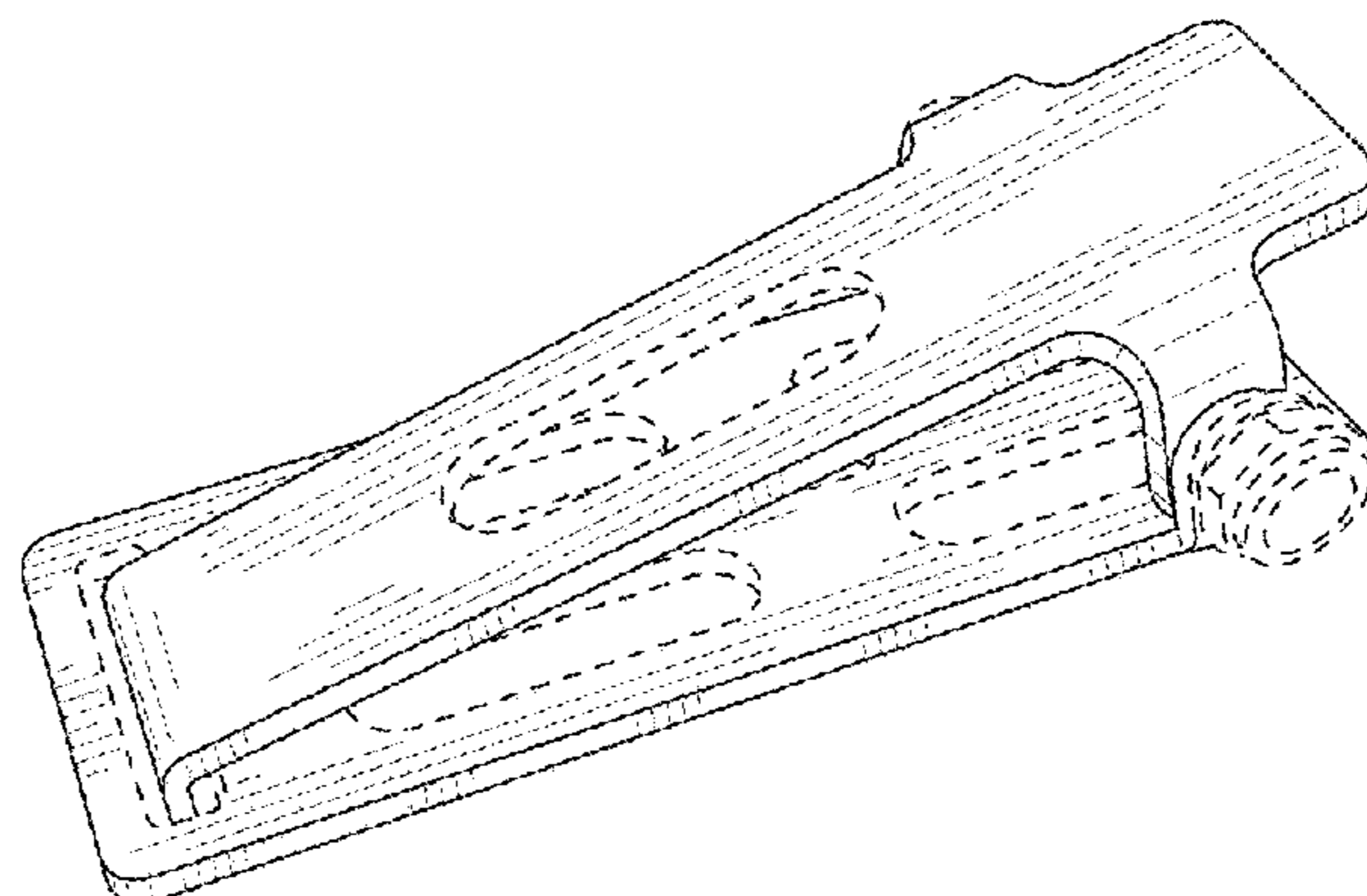
The ornamental design for a shirt clip for camera, as shown
 and described.

DESCRIPTION

FIG. 1 is a perspective view of the shirt clip for camera
 having first and second clip elements in a first position;
 FIG. 2 is a front view of the shirt clip for camera in a second
 position;
 FIG. 3 is a rear view of the shirt clip for camera in a second
 position;
 FIG. 4 is a side view of the shirt clip for camera in a second
 position;
 FIG. 5 is a side view of the shirt clip for camera in a second
 position;
 FIG. 6 is a top view of the shirt clip for camera in a first
 position; and,
 FIG. 7 is a bottom view of the shirt clip for camera in a first
 position.

The broken lines illustrating portions of the clip elements are
 for the purposes of illustrating environmental structure and
 form no part of the claimed design.

1 Claim, 3 Drawing Sheets



(56)

References Cited

U.S. PATENT DOCUMENTS

D478,628 S	8/2003	Sheldon et al.	
D497,183 S	10/2004	Chiu	
D523,477 S	6/2006	Cetera	
D534,939 S	1/2007	Sheehan et al.	
D552,978 S	10/2007	Liao	
D563,452 S	3/2008	Tan et al.	
D564,559 S	3/2008	Stephens et al.	
D566,537 S *	4/2008	Wen-Po	D8/395
D607,716 S	1/2010	Chiu	
D614,945 S	5/2010	Chiu	
7,775,486 B2	6/2010	Depay et al.	
D619,451 S *	7/2010	Carlesso	D16/237
D631,509 S	1/2011	Liang	
D637,480 S	5/2011	Chen et al.	
D679,700 S	4/2013	Werth	
D682,256 S *	5/2013	Murchison	D14/223
D682,332 S	5/2013	Wang et al.	
D723,536 S *	3/2015	Werth	D14/253
D778,880 S *	2/2017	Belitz	D14/224
D786,882 S *	5/2017	Cho	D14/447
D795,844 S *	8/2017	Harper	D14/223
D810,179 S *	2/2018	Harms	D16/237
D820,342 S *	6/2018	Harms	D16/242

OTHER PUBLICATIONS

Klick Fast Anti-Tilt Body Worn Camera Spring Clamp. [online]
 Retrieved Nov. 16, 2018 from URL: https://www.rewiresecurity.co.uk/peter-jones-klick-fast-dockclamp-anti-tilt-mount.*

* cited by examiner

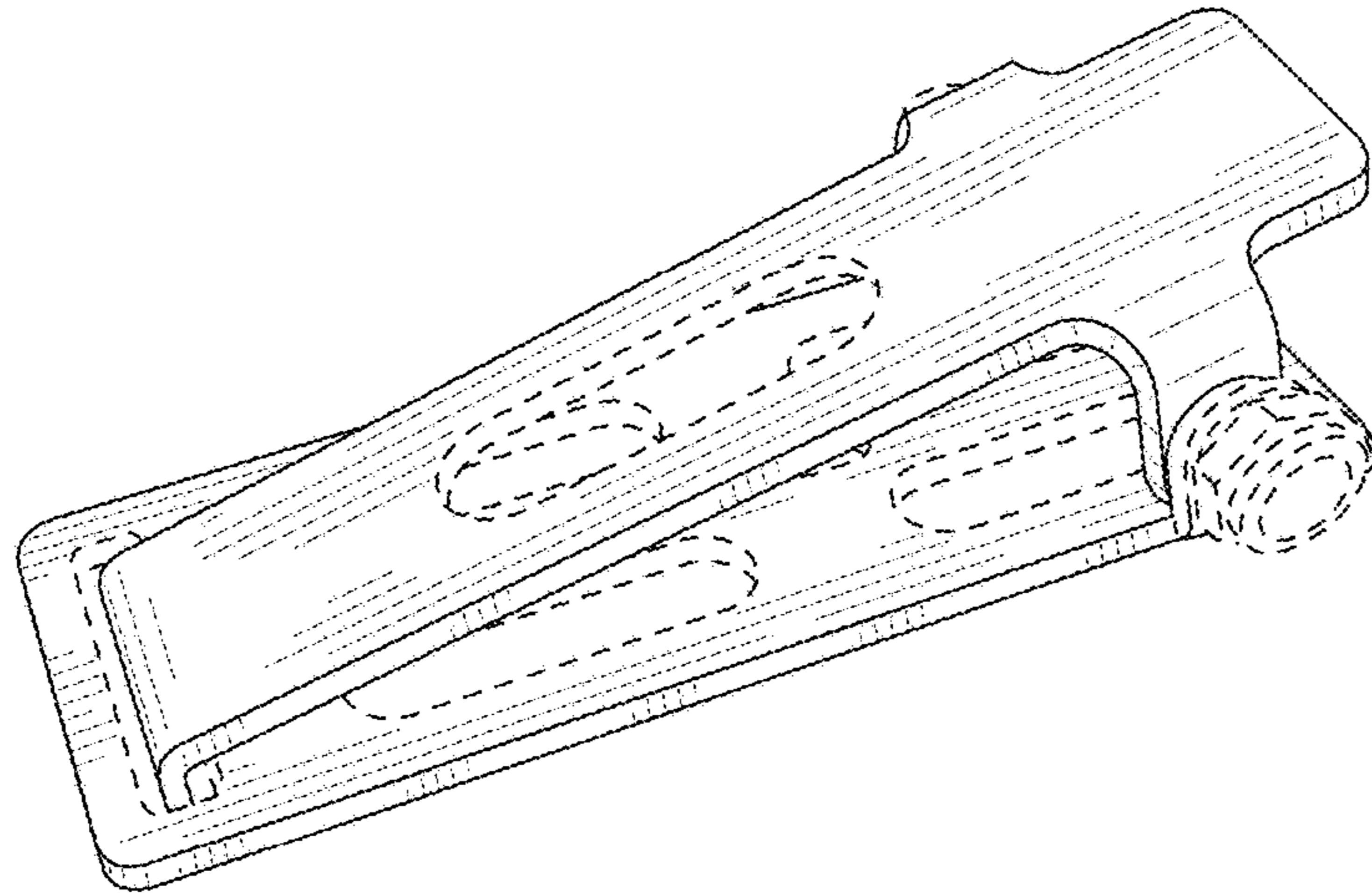


FIG. 1

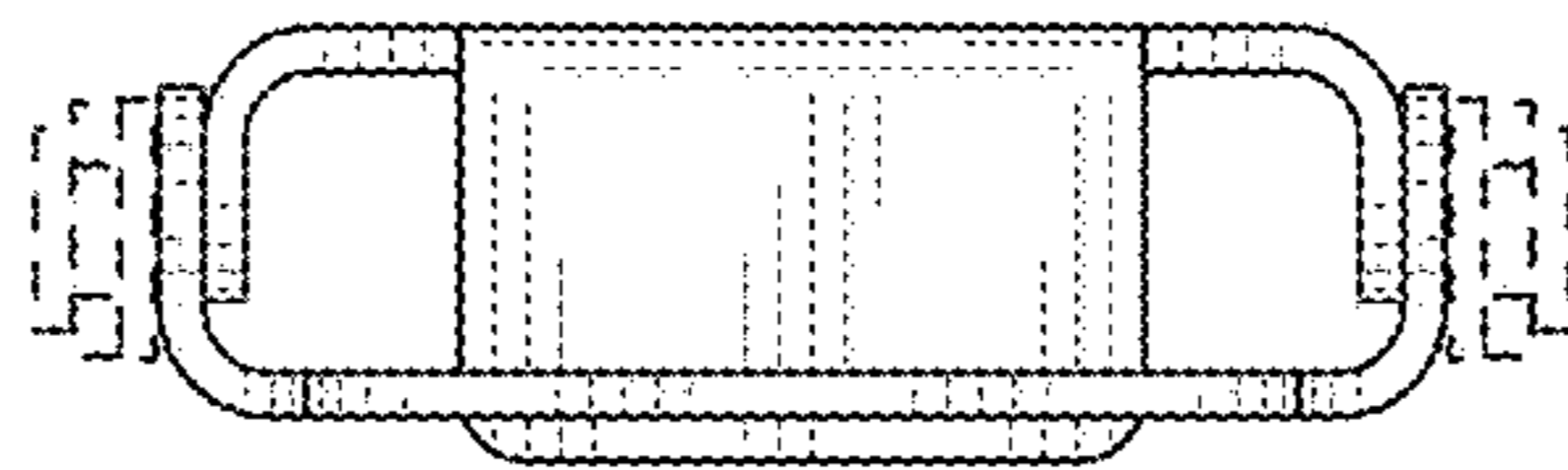


FIG. 2

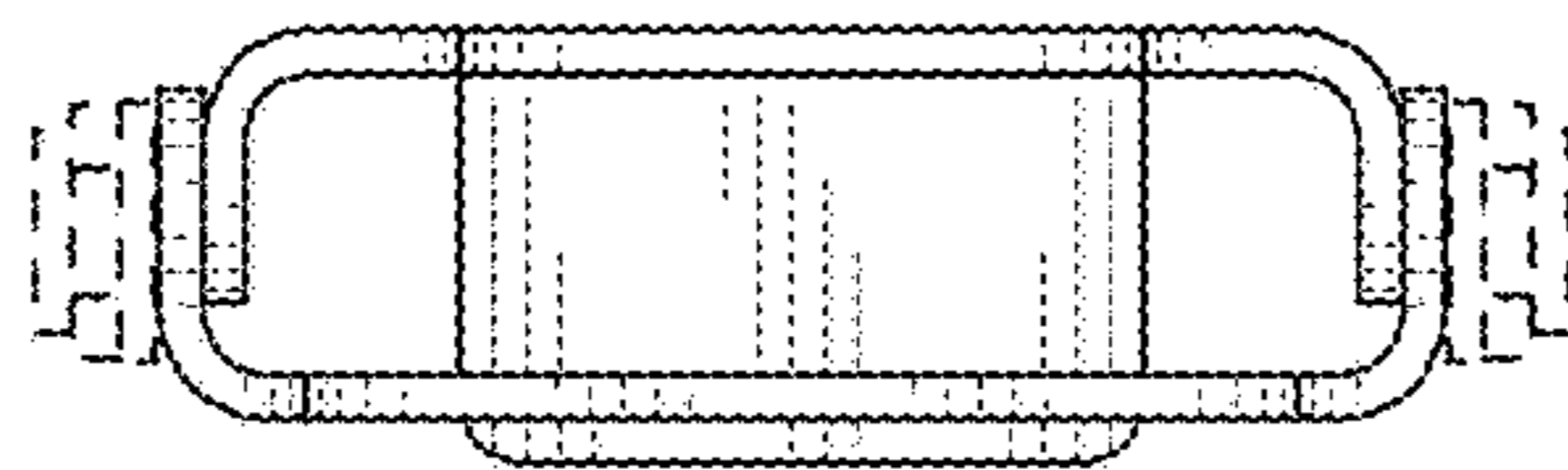


FIG. 3

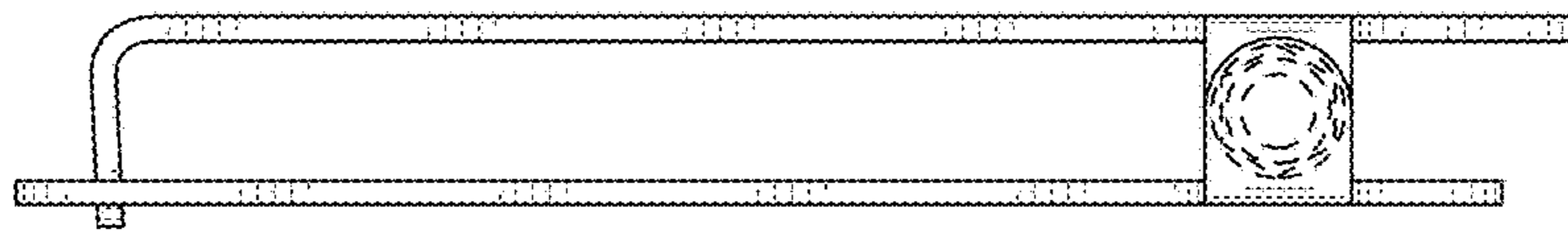


FIG. 4

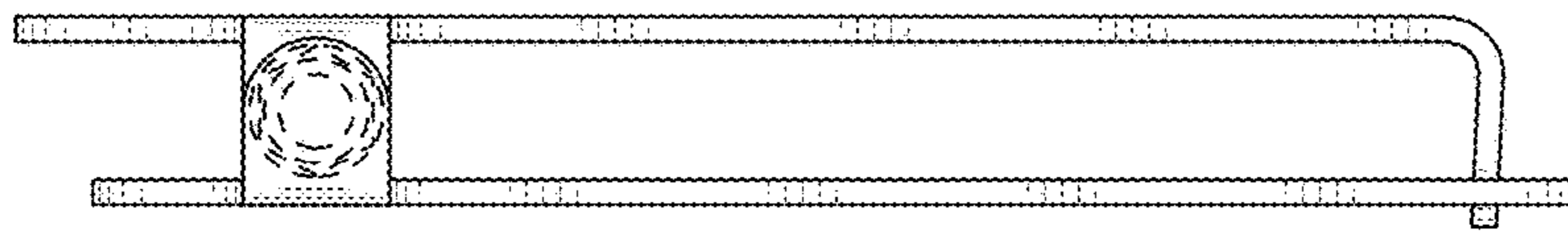


FIG. 5

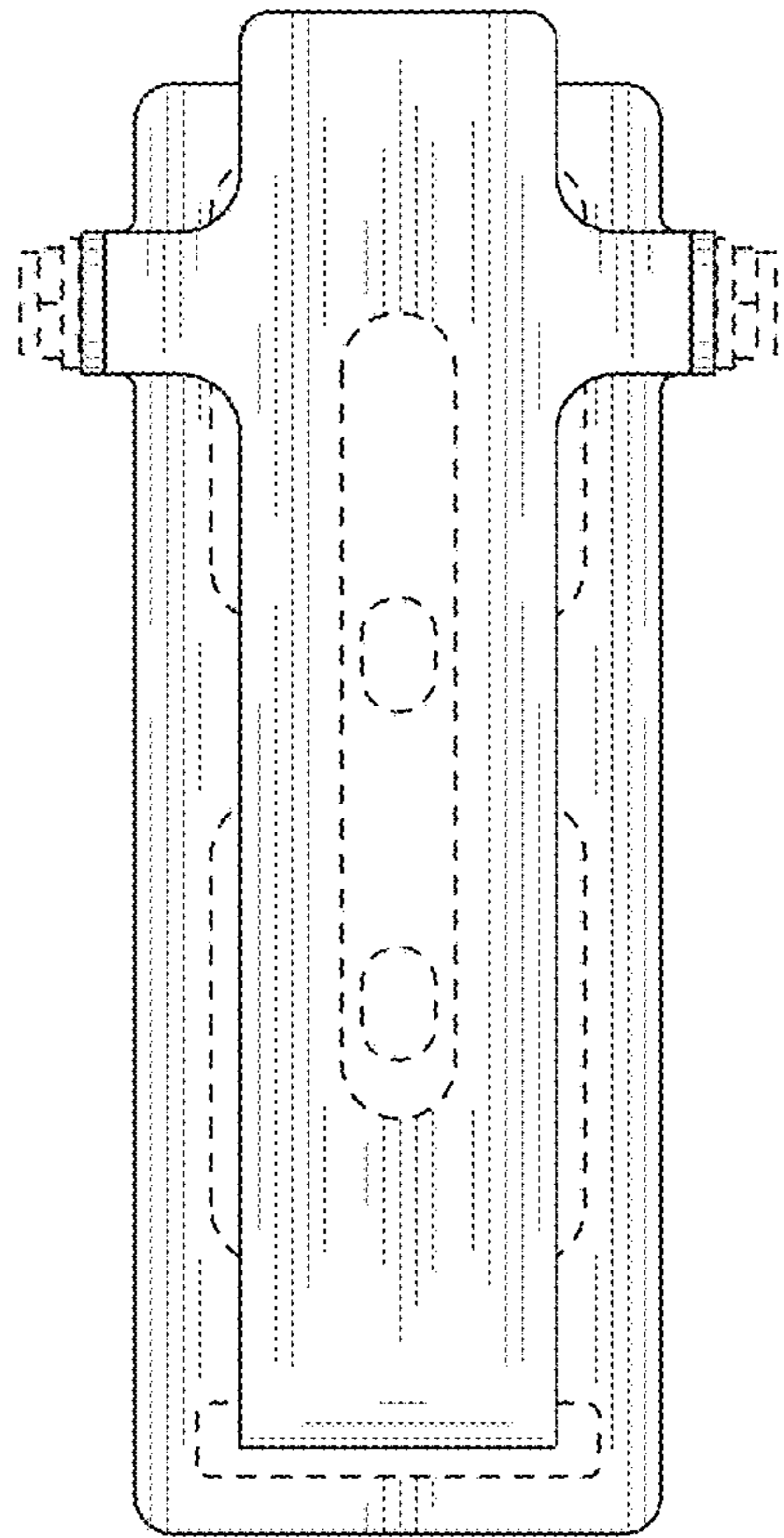


FIG. 6

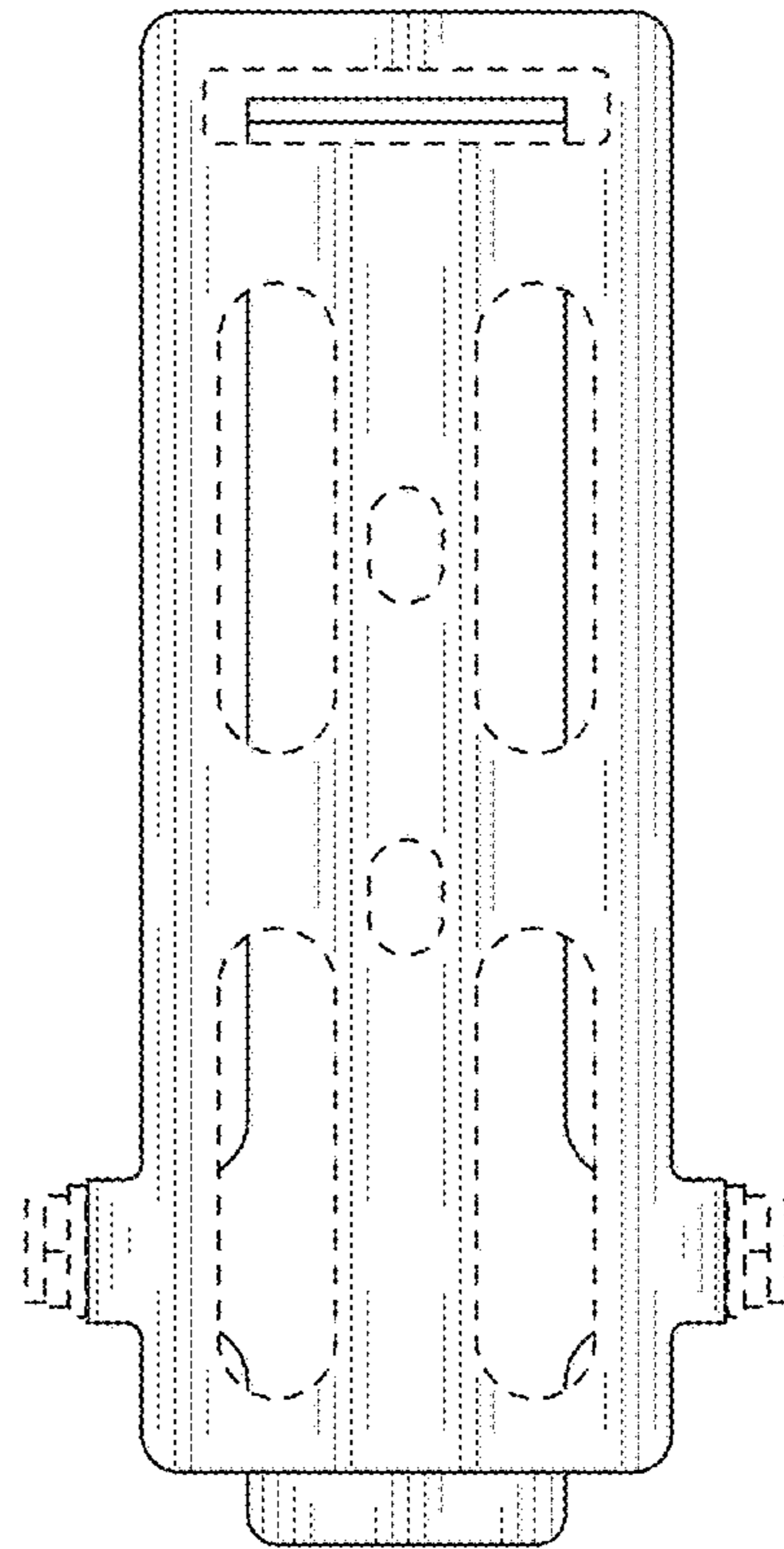


FIG. 7