



US00D856397S

(12) **United States Design Patent** (10) **Patent No.:** **US D856,397 S**
Ahman et al. (45) **Date of Patent:** **** Aug. 13, 2019**

(54) **MONITORING CAMERA**

(71) Applicant: **AXIS AB**, Lund (SE)

(72) Inventors: **Daniel Ahman**, Lomma (SE); **Mathias Walter**, Arlov (SE); **Nina Bergius**, Lund (SE); **Kristoffer Barnekow**, Lund (SE); **Maiko Karlsson**, Lund (SE); **Peter Betmark**, Lund (SE)

(73) Assignee: **AXIS AB**, Lund (SE)

(**) Term: **15 Years**

(21) Appl. No.: **29/607,403**

(22) Filed: **Jun. 13, 2017**

(30) **Foreign Application Priority Data**

Dec. 13, 2016 (EM) 003514991

(51) **LOC (12) Cl.** **16-05**

(52) **U.S. Cl.**
USPC **D16/219**; D16/203

(58) **Field of Classification Search**
USPC D16/200, 202–208, 218, 219, 242;
348/143, 148, 151, 373–376; 396/419,
396/427, 535, 539–541
CPC G03B 17/02; G03B 19/04; G03B 17/56;
G03B 17/04; G03B 15/03; H04N 5/2251;
H04N 5/2252; H04N 5/2253; H04N
5/2254; H04N 7/181; H04N 7/183; H04N
7/18; G08B 13/1963; G08B 13/19619;
G08B 13/19632; F16M 11/04; F16M
13/00

See application file for complete search history.

(56) **References Cited**

U.S. PATENT DOCUMENTS

D425,535 S * 5/2000 Mutoh D10/106.1
D452,696 S * 1/2002 Fenton D16/203

D552,501 S * 10/2007 Lin D10/104.1
D575,810 S * 8/2008 Alm D16/203
D610,183 S * 2/2010 Nohavec D16/203
D628,225 S * 11/2010 Deurwaarder D16/203
D633,120 S * 2/2011 Ham D16/203
D639,842 S * 6/2011 Zeinoun D16/203
8,066,438 B2 * 11/2011 Takahashi H04N 5/2251
348/143
D688,720 S * 8/2013 Yilin D16/203
8,558,945 B2 * 10/2013 Yamauchi G03B 15/00
348/373
D751,621 S 3/2016 Katori
D752,674 S 3/2016 Katori
D772,324 S 11/2016 Bennermark et al.

(Continued)

FOREIGN PATENT DOCUMENTS

EM 001307292-01-03 12/2011
EM 001307342-01-06 12/2011

(Continued)

Primary Examiner — Ramzi S Almatrahi

(74) *Attorney, Agent, or Firm* — Volpe and Koenig, P.C.

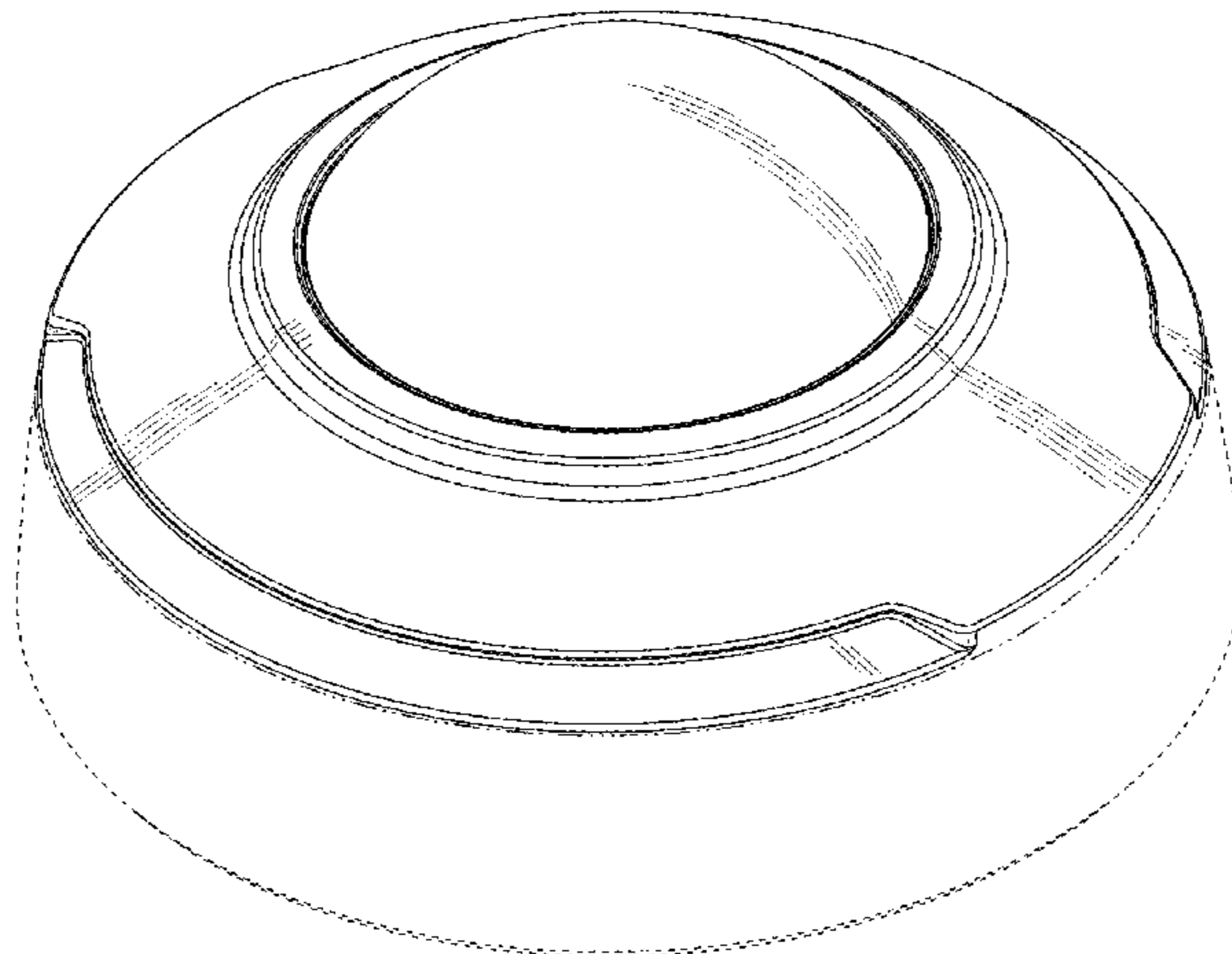
(57) **CLAIM**

The ornamental design for a monitoring camera, as shown and described.

DESCRIPTION

FIG. 1 is a perspective view of a monitoring camera in accordance with our design;
FIG. 2 is a top plan view thereof;
FIG. 3 is a right side elevational view thereof;
FIG. 4 is a left side elevational view thereof;
FIG. 5 is a front plan view thereof;
FIG. 6 is a rear elevational view thereof; and,
FIG. 7 is a bottom plan view thereof.
The broken lines represent unclaimed portions of the monitoring camera and do not form part of the claimed design. The dot-dash broken line defines the bounds of the claimed design and form no part thereof.

1 Claim, 4 Drawing Sheets



(56)

References Cited

U.S. PATENT DOCUMENTS

D781,169 S	3/2017	Wang	
D786,725 S	5/2017	McCormick et al.	
D796,566 S	9/2017	Bingleman et al.	
D796,567 S	9/2017	Bingleman et al.	
D796,568 S	9/2017	Bingleman et al.	
D798,933 S	10/2017	Little	
D816,755 S	5/2018	Barnekow et al.	
D822,088 S	7/2018	Park et al.	
D827,011 S	8/2018	Kip et al.	
2013/0223833 A1*	8/2013	Tenenbaum	G03B 17/02 396/419

FOREIGN PATENT DOCUMENTS

EM	001343578-01-07	9/2012
EM	002877035-0001	11/2015
TW	D156914	11/2013

* cited by examiner

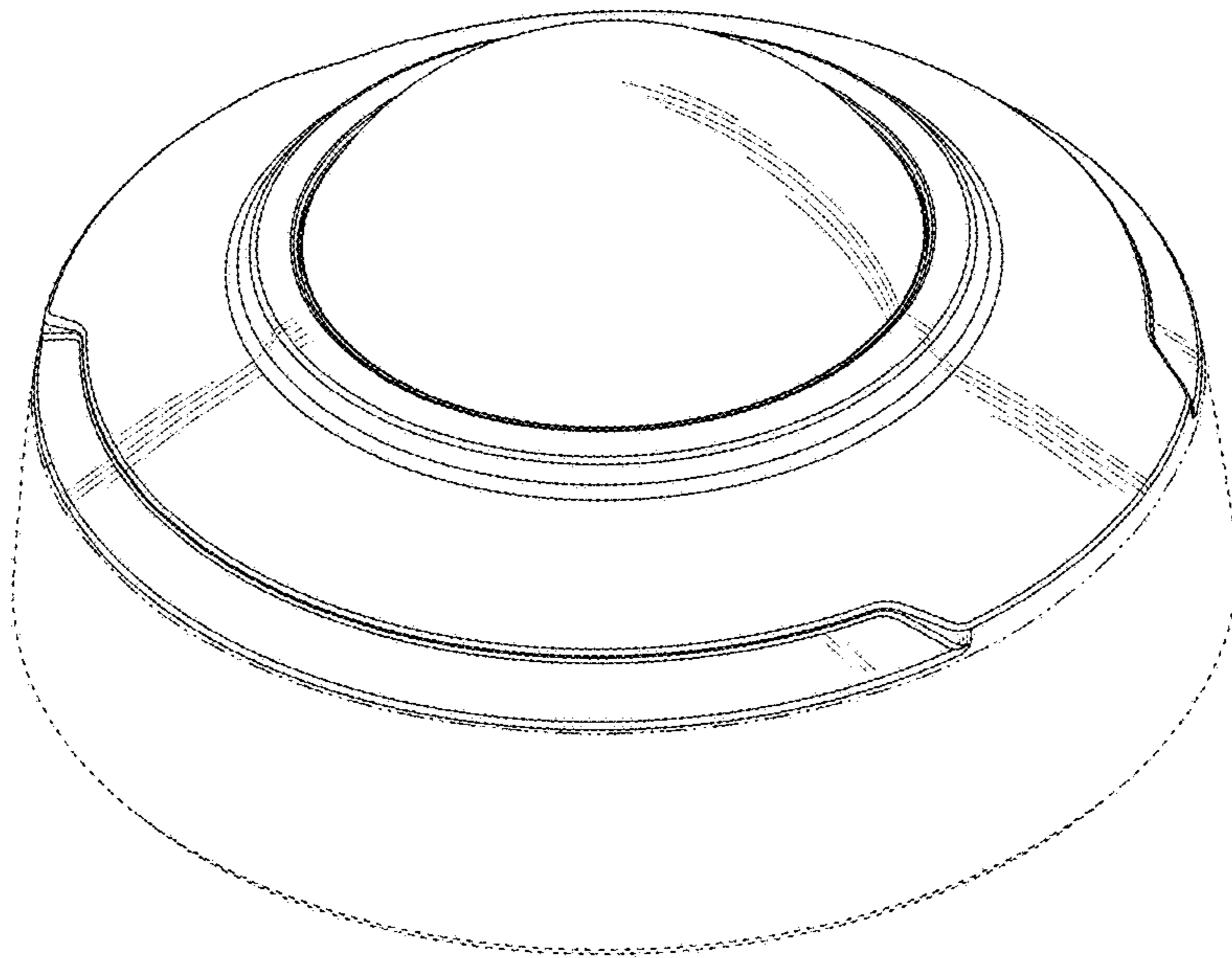


Figure 1

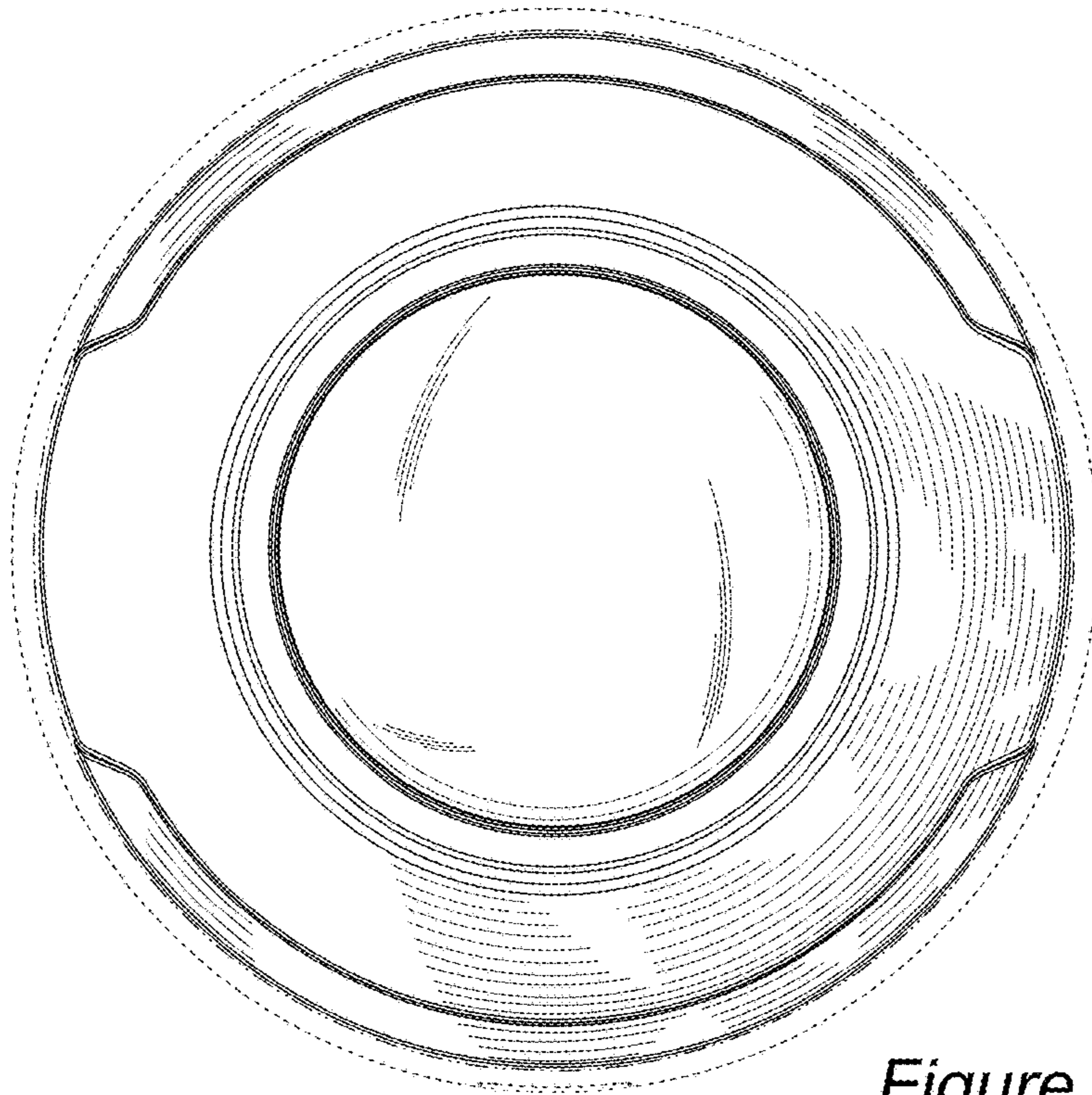


Figure 2

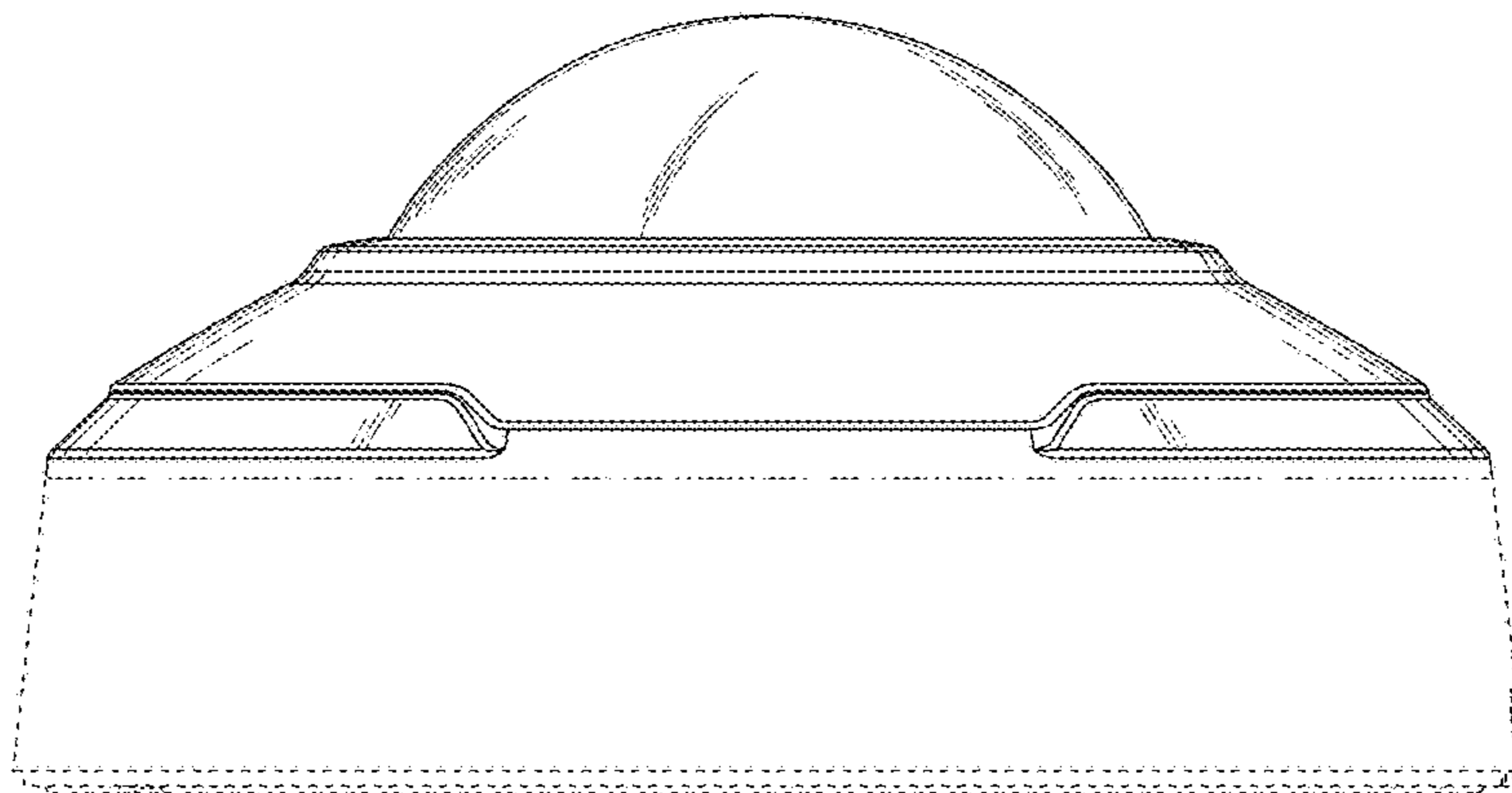


Figure 3

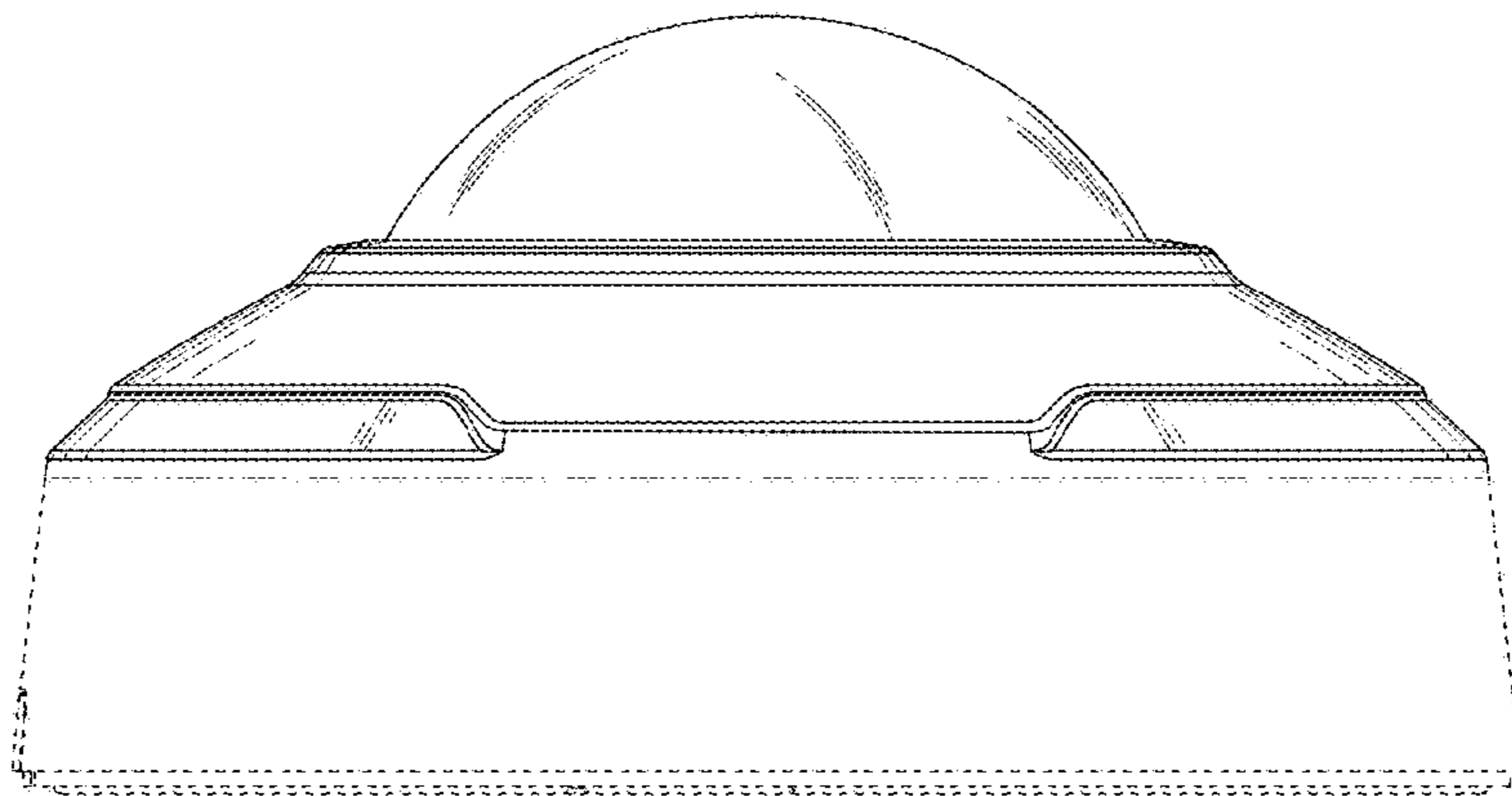


Figure 4

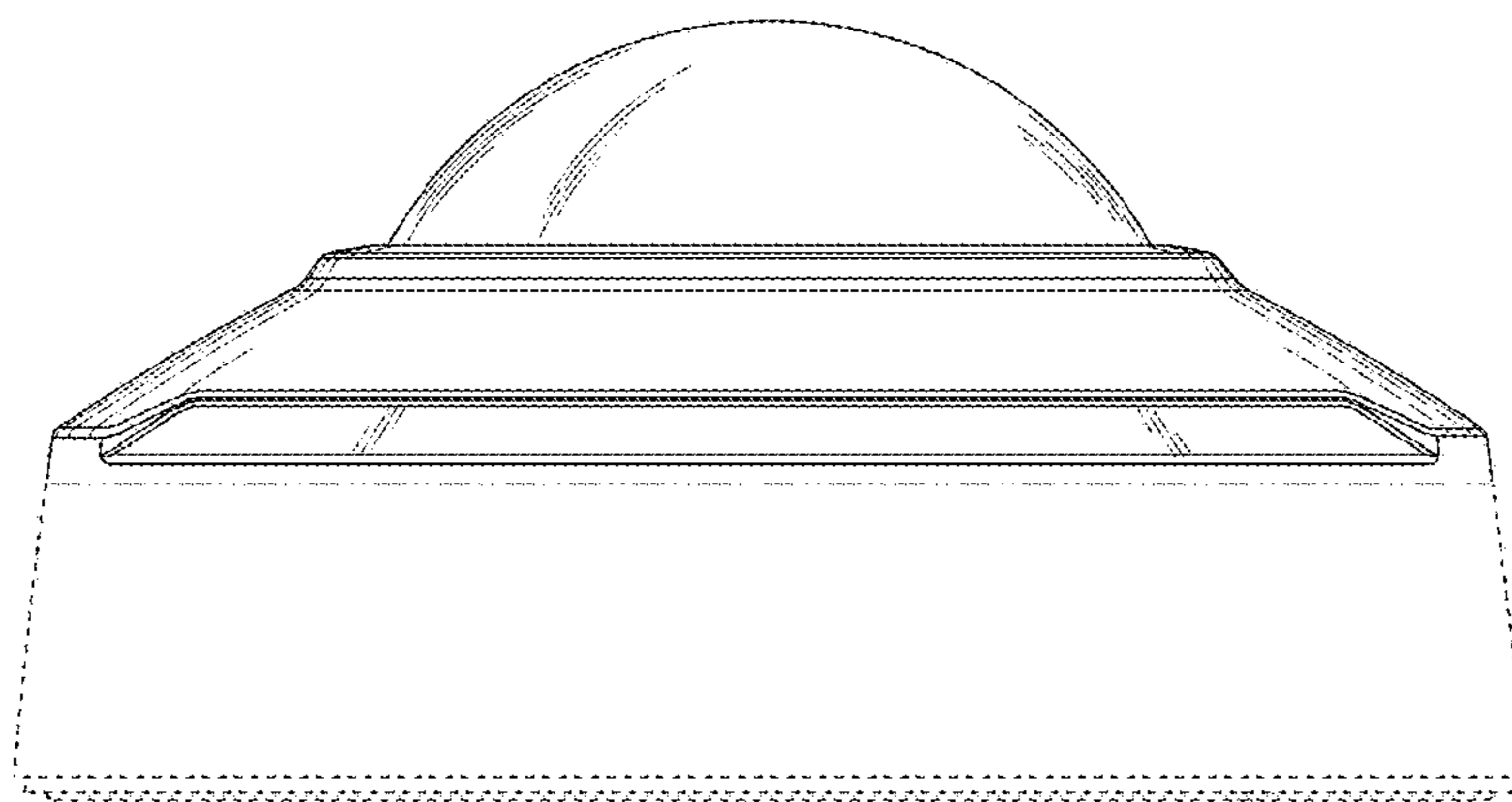


Figure 5

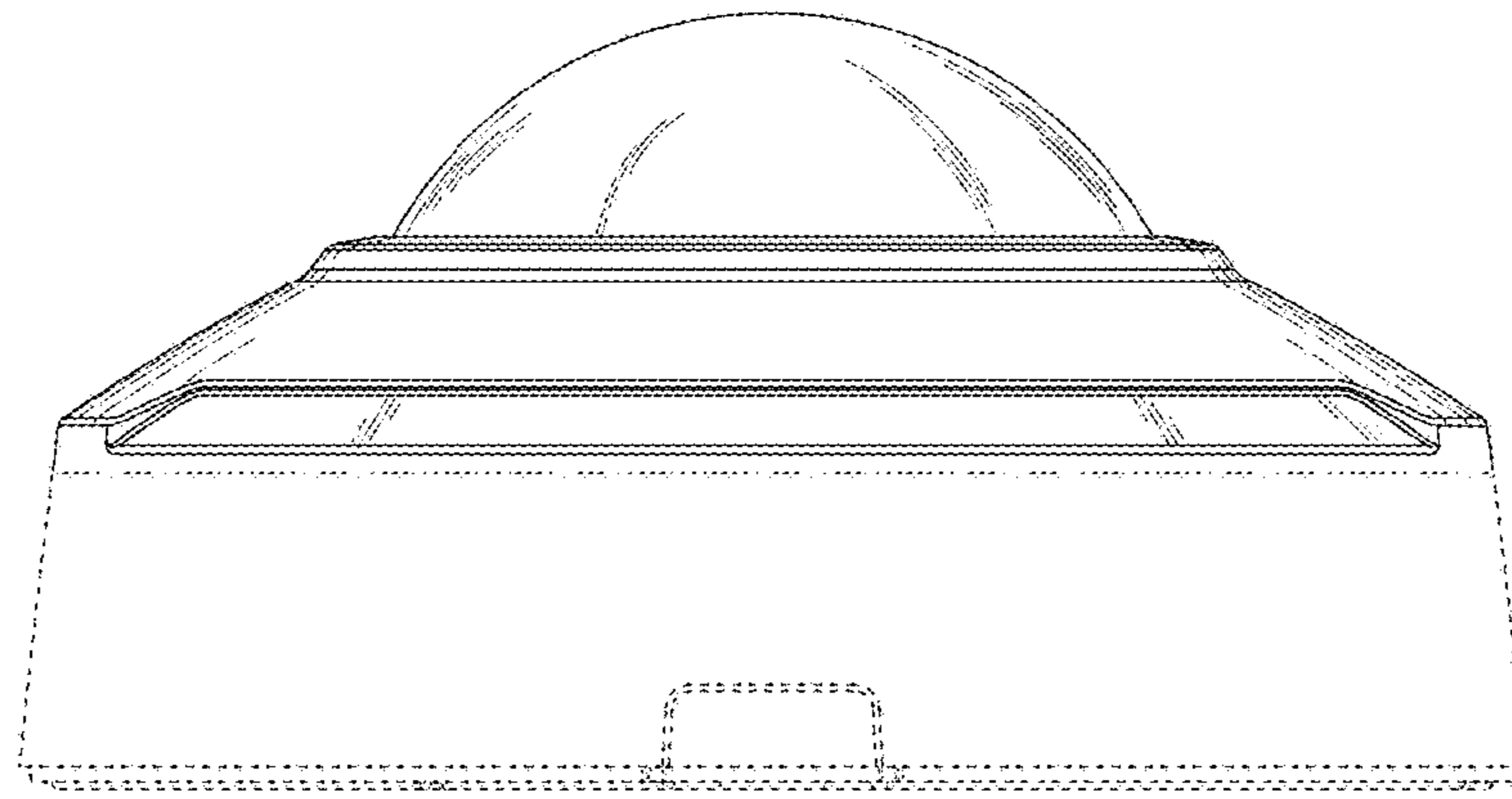


Figure 6

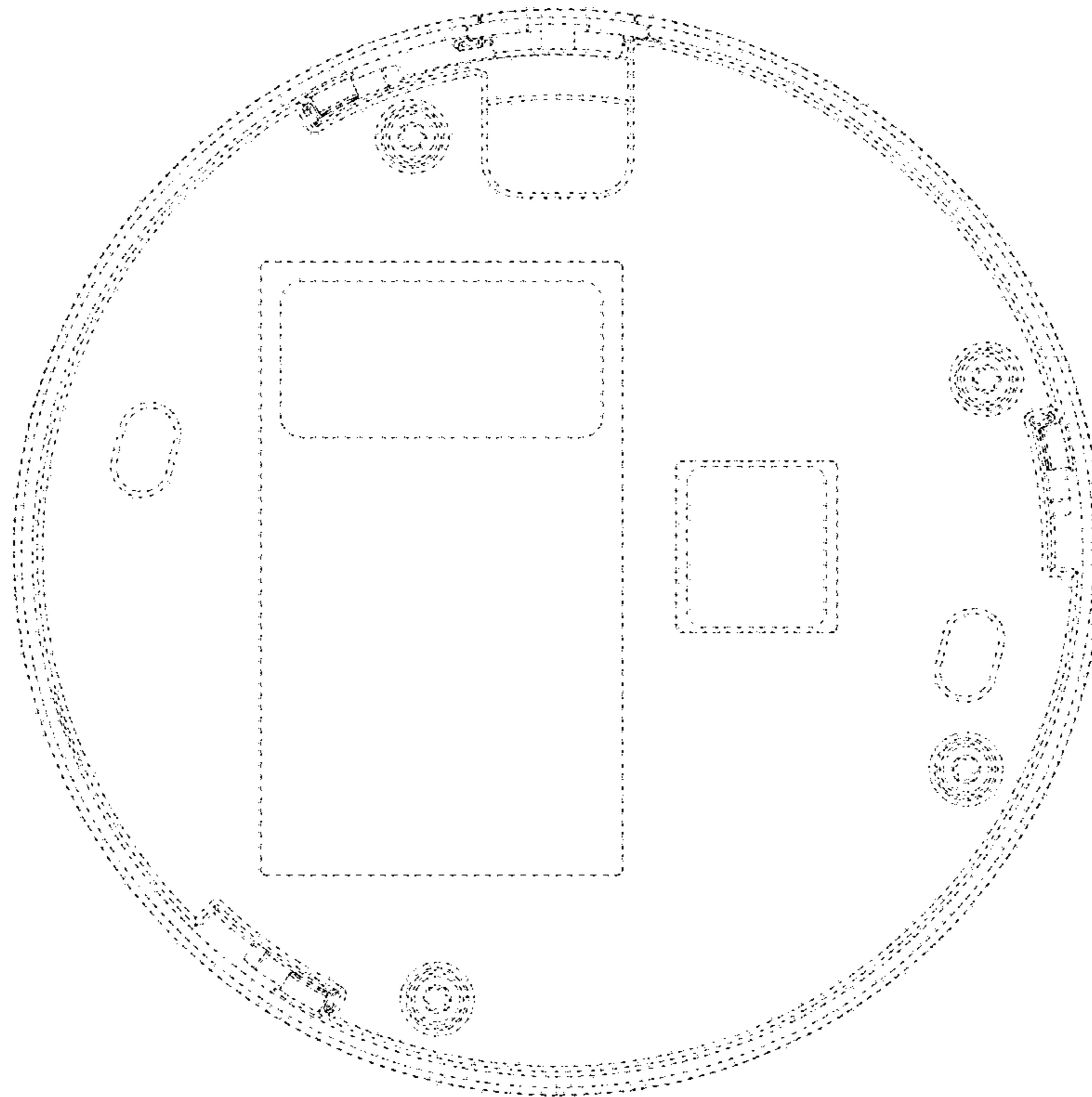


Figure 7