



US00D856393S

(12) **United States Design Patent**
Patrick et al.

(10) **Patent No.:** **US D856,393 S**
(45) **Date of Patent:** **** Aug. 13, 2019**

(54) **ACCESSORY SUPPORT CLIP FOR A MOBILE ELECTRONIC DEVICE**

(71) Applicant: **PORTERO HOLDINGS, LLC**, Lake Forest, CA (US)
(72) Inventors: **Jason Patrick**, Long Beach, CA (US); **Joshua Cantor**, Huntington Beach, CA (US); **Chong Pak**, Lakewood, CA (US)
(73) Assignee: **Portero Holdings, LLC**, Lake Forest, CA (US)

(**) Term: **15 Years**

(21) Appl. No.: **29/648,453**

(22) Filed: **May 21, 2018**

(51) **LOC (12) Cl.** **16-01**

(52) **U.S. Cl.**
USPC **D16/208; D16/134**

(58) **Field of Classification Search**
USPC D16/134, 136, 200, 202–206, 208, 218, D16/219, 237, 242; D14/203.3, 203.4,
(Continued)

(56) **References Cited**

U.S. PATENT DOCUMENTS

D394,868 S * 6/1998 Lee D16/202
D398,018 S * 9/1998 Lee D16/202
(Continued)

FOREIGN PATENT DOCUMENTS

CN 1869753 A 11/2006

Primary Examiner — Ramzi S Almatrahi

(74) *Attorney, Agent, or Firm* — Dorsey & Whitney LLP

(57) **CLAIM**

We claim the ornamental design for an accessory support clip for a mobile electronic device, as shown and described.

DESCRIPTION

This application is related to U.S. Application Ser. No. 15/985,621 entitled “Optical Accessories Clip for Mobile Devices” filed on May 21, 2018 and incorporated by reference herein in its entirety.

FIG. 1 is a front isometric view of an accessory support clip for a mobile electronic device showing our new design in condition of use with a mobile electronic device and an auxiliary lens disclosed in broken lines to illustrate an environment.

FIG. 2 is a rear isometric view thereof, shown in condition of use with a mobile electronic device and an auxiliary lens disclosed in broken lines to illustrate an environment.

FIG. 3 is a front isometric view of the accessory support clip for a mobile electronic device of FIG. 1.

FIG. 4 is a rear isometric view of the accessory support clip for a mobile electronic device of FIG. 1.

FIG. 5 is a front elevation view of the accessory support clip for a mobile electronic device of FIG. 1.

FIG. 6 is a rear elevation view of the accessory support clip for a mobile electronic device of FIG. 1.

FIG. 7 is a right side elevation view of the accessory support clip for a mobile electronic device of FIG. 1.

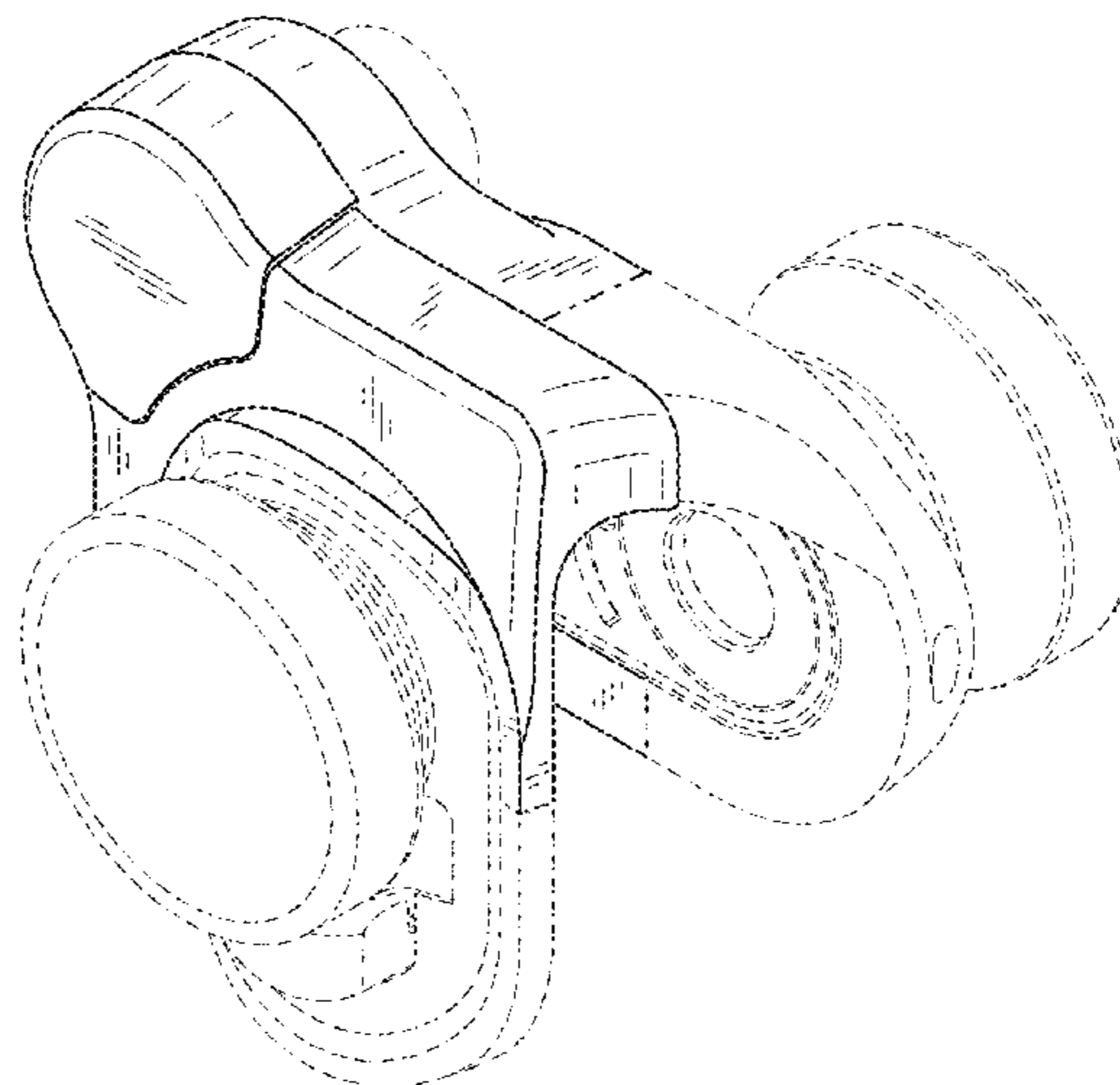
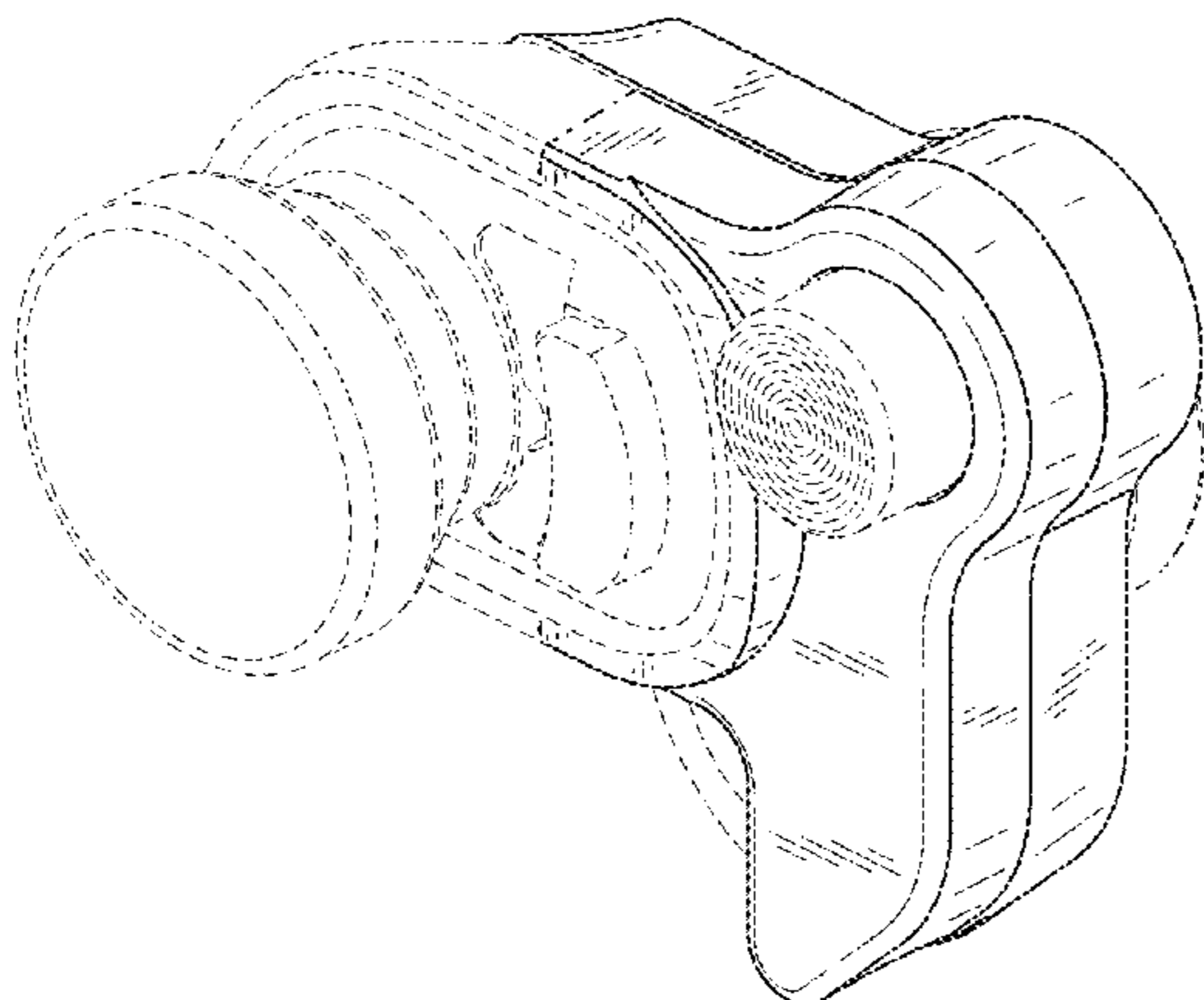
FIG. 8 is a left side elevation view of the accessory support clip for a mobile electronic device of FIG. 1.

FIG. 9 is a top plan view of the accessory support clip for a mobile electronic device of FIG. 1; and,

FIG. 10 is a bottom plan view of the accessory support clip for a mobile electronic device of FIG. 1.

The broken lines depict portions of the accessory support clip for a mobile electronic device in which the design is embodied that form no part of the claimed design. The broken lines showing a mobile electronic device and an auxiliary lens in FIGS. 1-2 represent environmental structure and form no part of the claimed design. Additionally, the dash-dot lines denote the boundary of the claim and form no part of the claimed design.

1 Claim, 6 Drawing Sheets



(58) **Field of Classification Search**

USPC D14/250, 345, 440, 449; 348/373–376;
396/535, 539–541

CPC G03B 15/03; G03B 17/02; G03B 17/04;
G03B 17/56; G03B 19/04; H04N 5/2251;
H04N 5/2252; H04N 5/2253; H04N
5/2254; H04N 2101/00

See application file for complete search history.

(56) **References Cited**

U.S. PATENT DOCUMENTS

D617,776 S * 6/2010 Hightower D14/204
D626,950 S 11/2010 Roman
8,279,544 B1 * 10/2012 O'Neill G02B 7/14
359/827
D678,379 S * 3/2013 O'Neill D14/511
D686,265 S * 7/2013 O'Neill D16/134
D691,237 S 10/2013 Beckett et al.
D695,332 S 12/2013 O'Neill
D697,958 S * 1/2014 O'Neill D16/134
D727,385 S * 4/2015 O'Neill D16/134
D748,615 S * 2/2016 Lee D14/251
9,294,660 B2 * 3/2016 O'Neill H04N 5/2254
9,454,066 B2 * 9/2016 O'Neill G03B 17/565
D782,455 S * 3/2017 Kim D14/248
2013/0107109 A1 * 5/2013 Yang G06F 1/1632
348/373
2013/0258507 A1 10/2013 Uno et al.

* cited by examiner

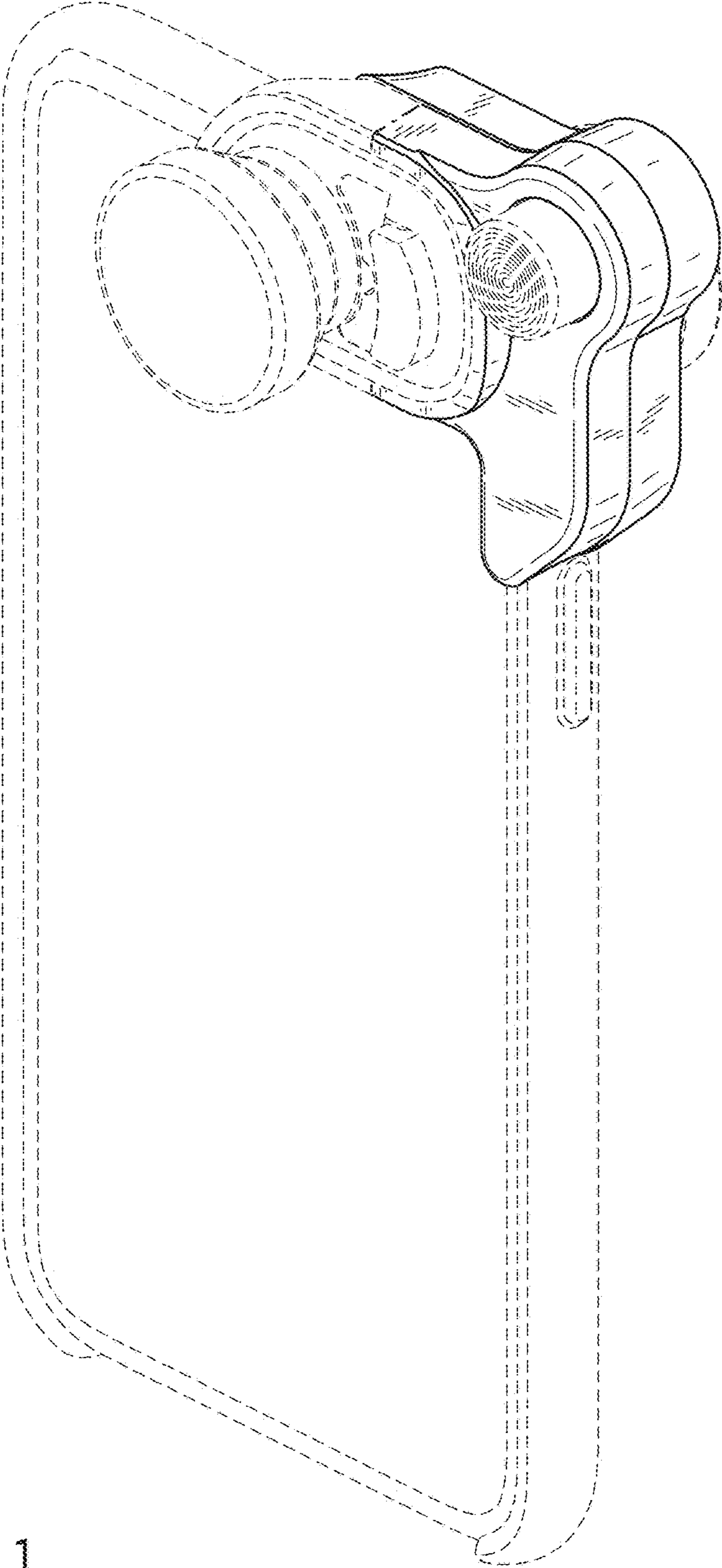


FIG. 1

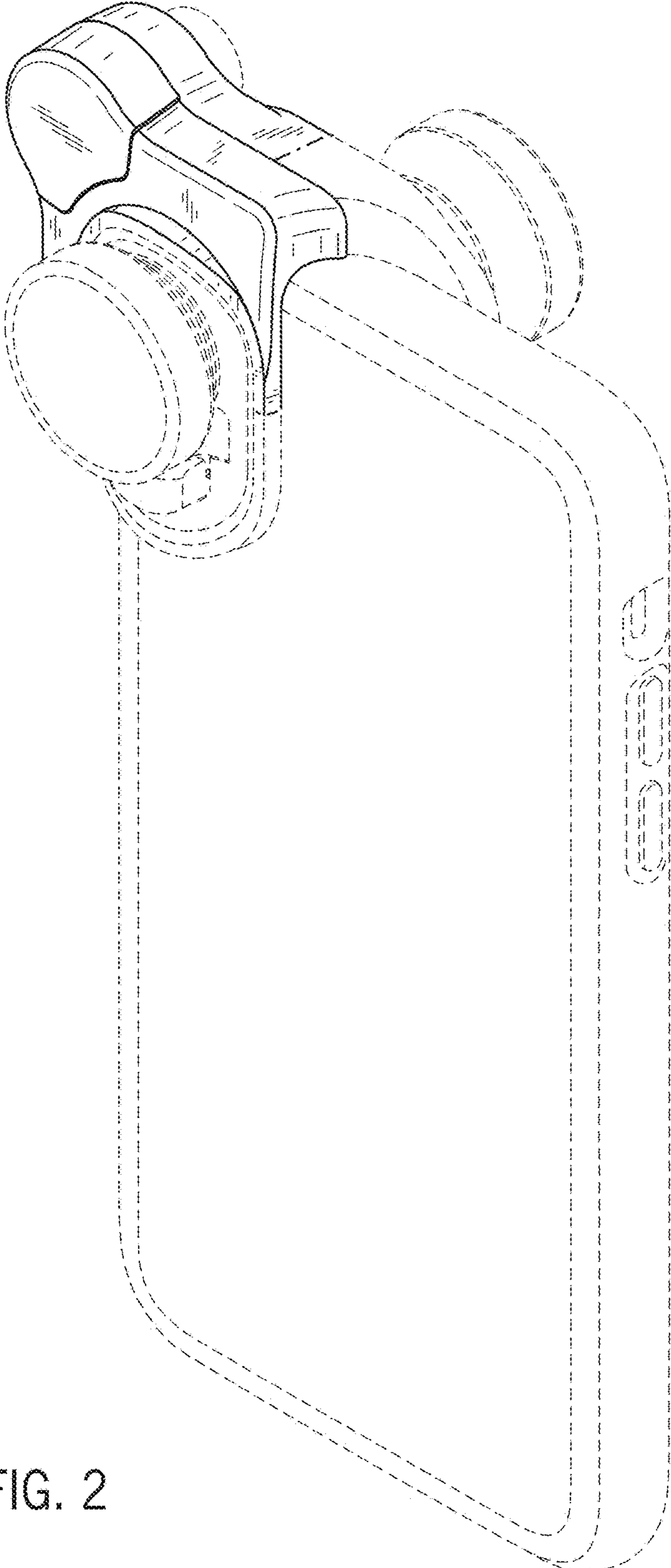


FIG. 2

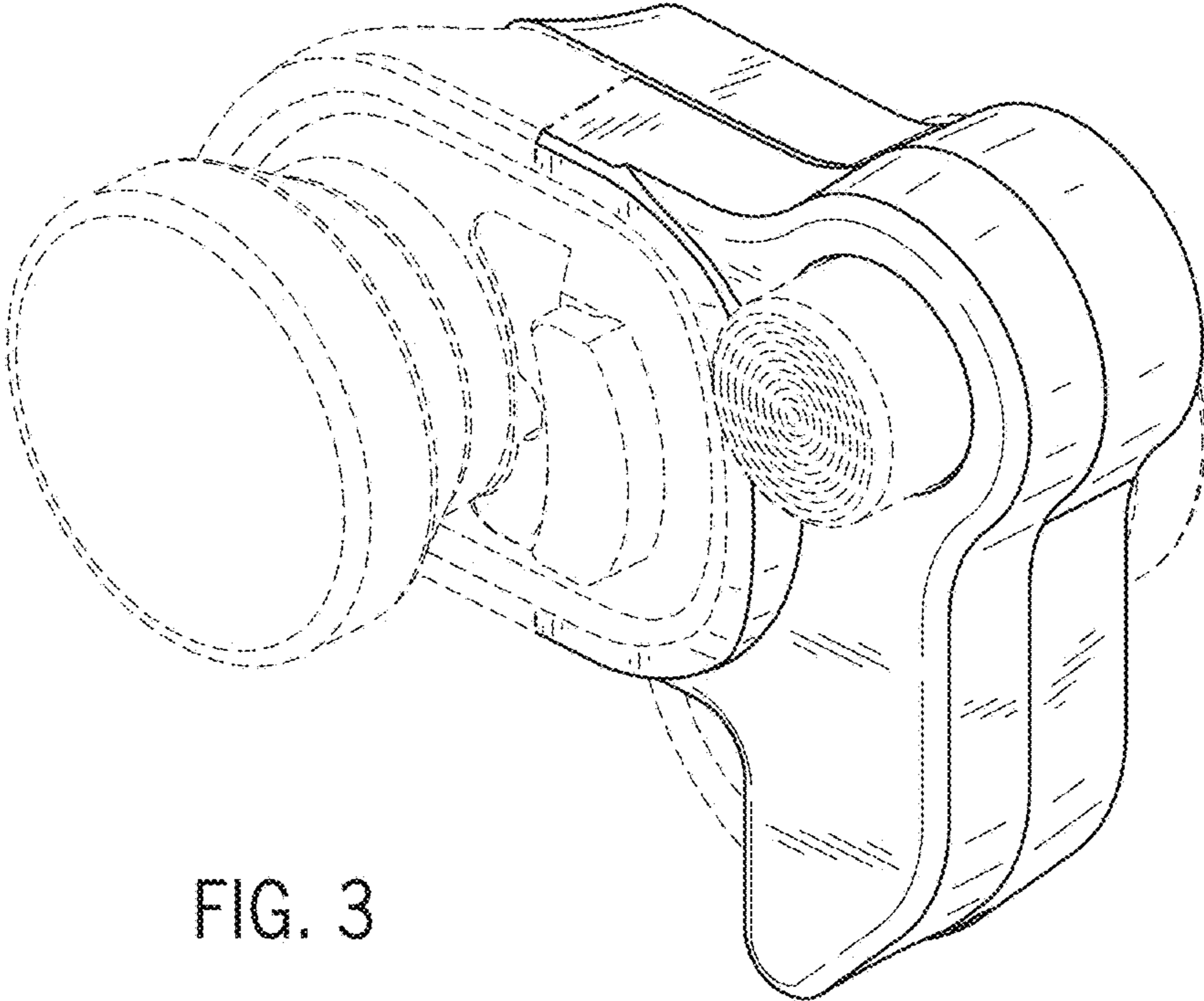


FIG. 3

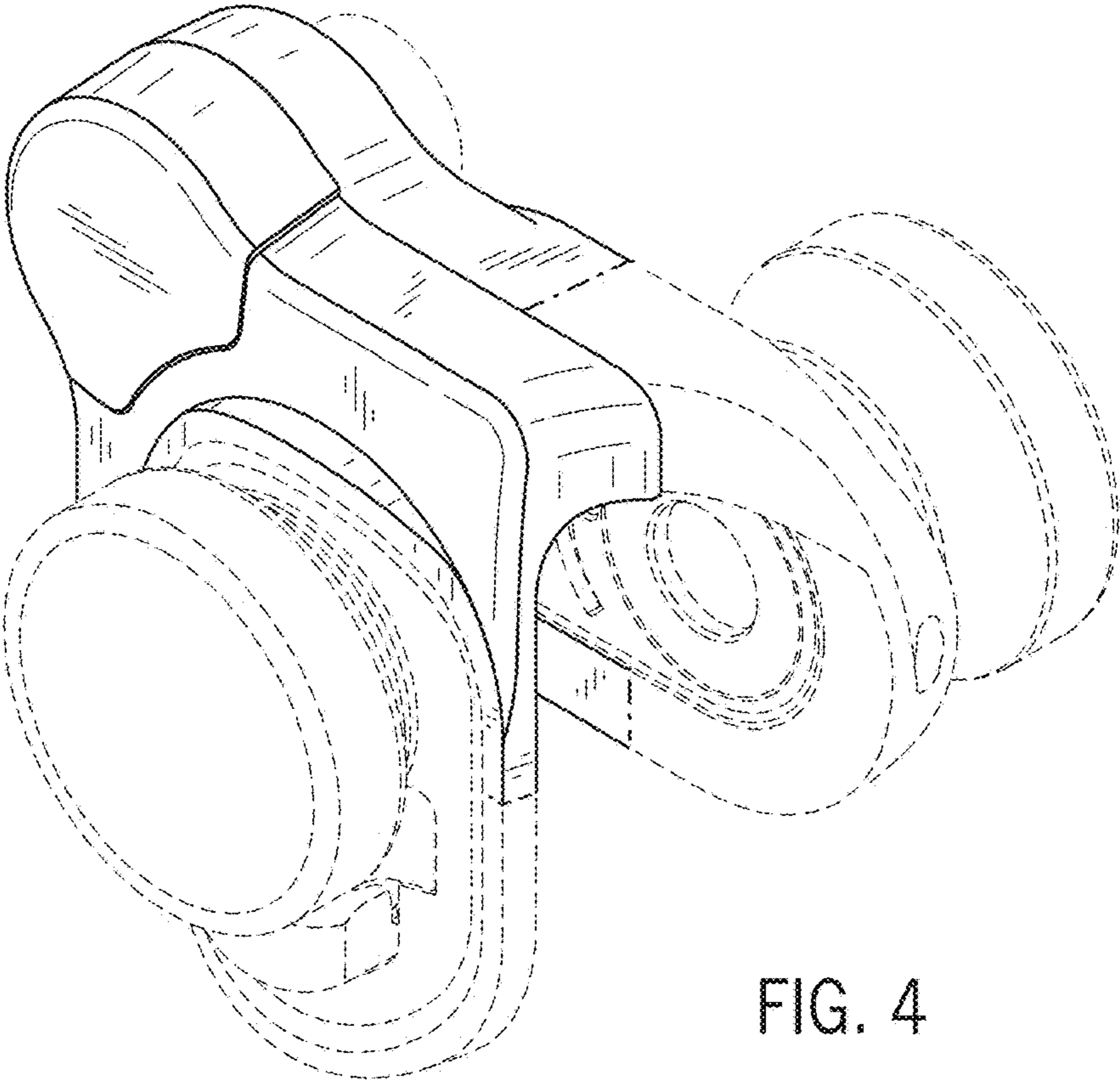


FIG. 4

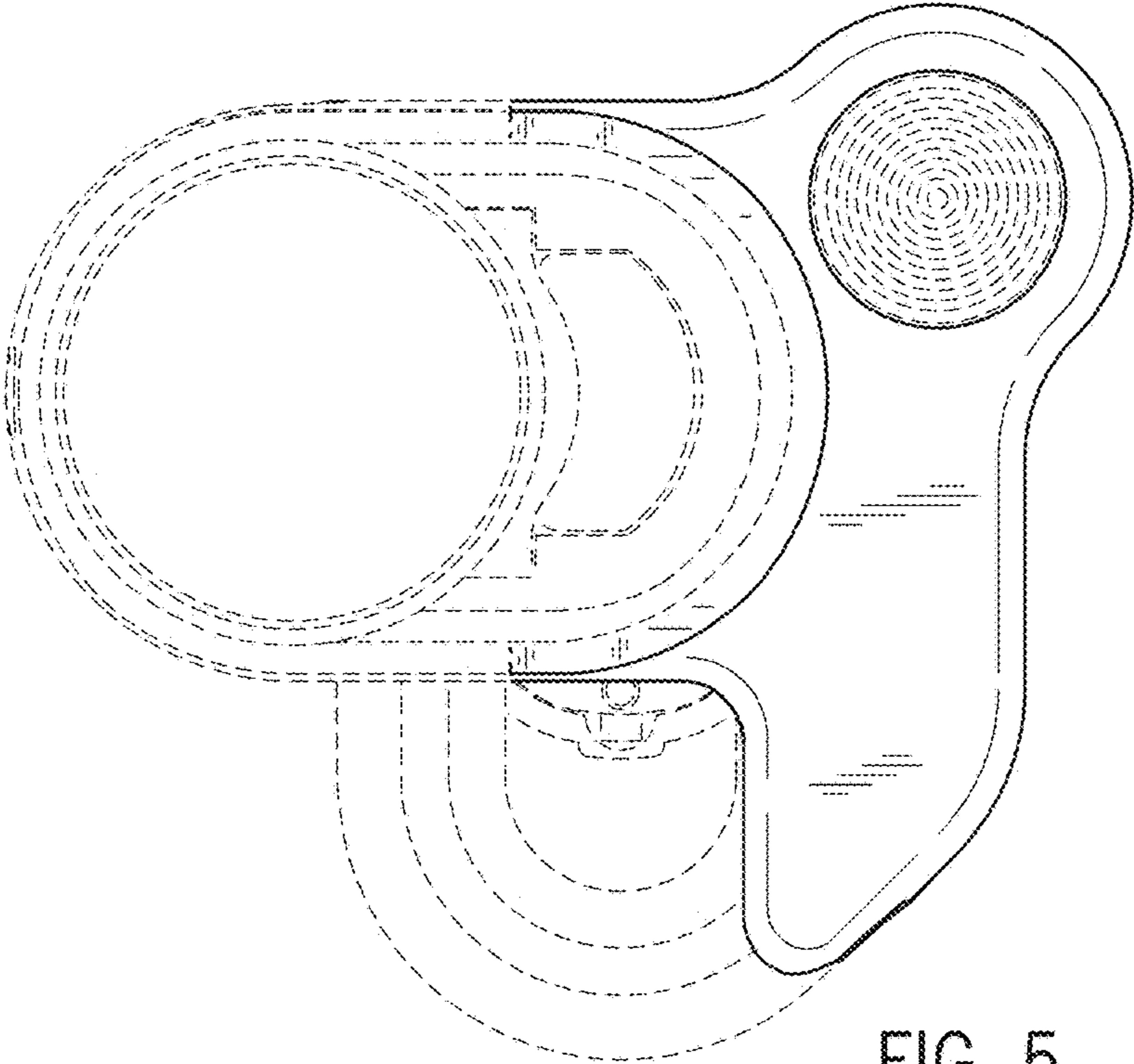


FIG. 5

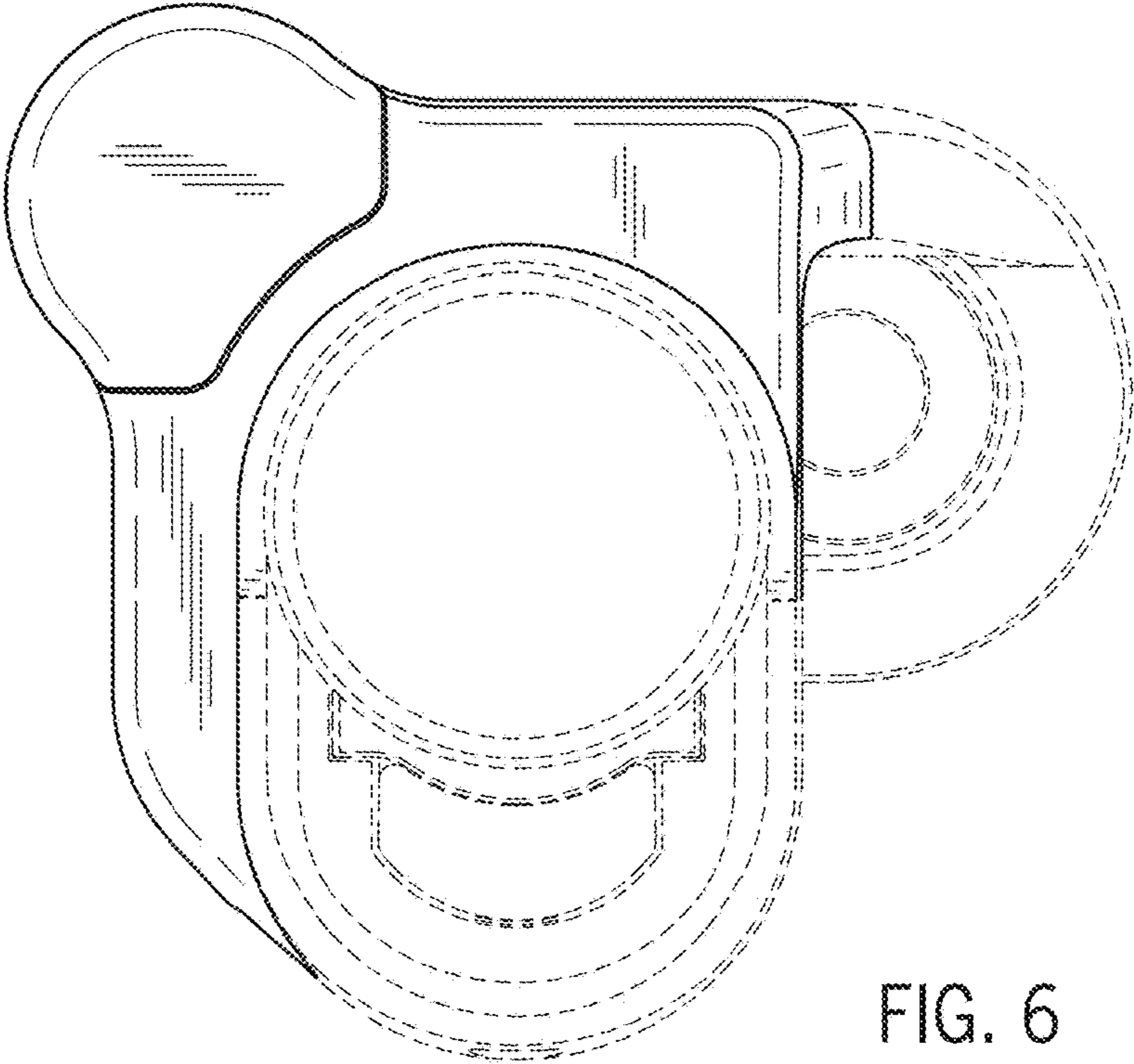


FIG. 6

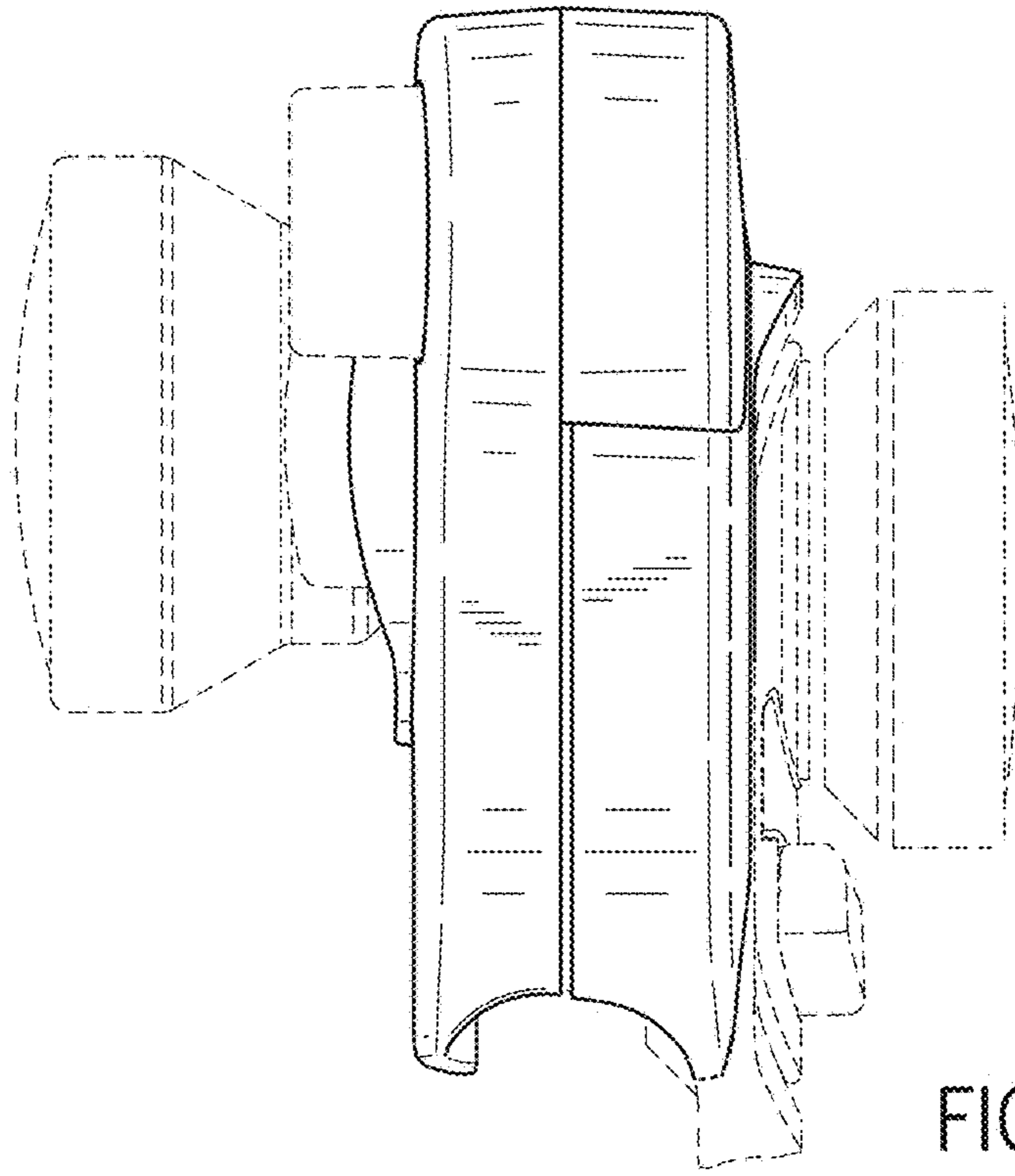


FIG. 7

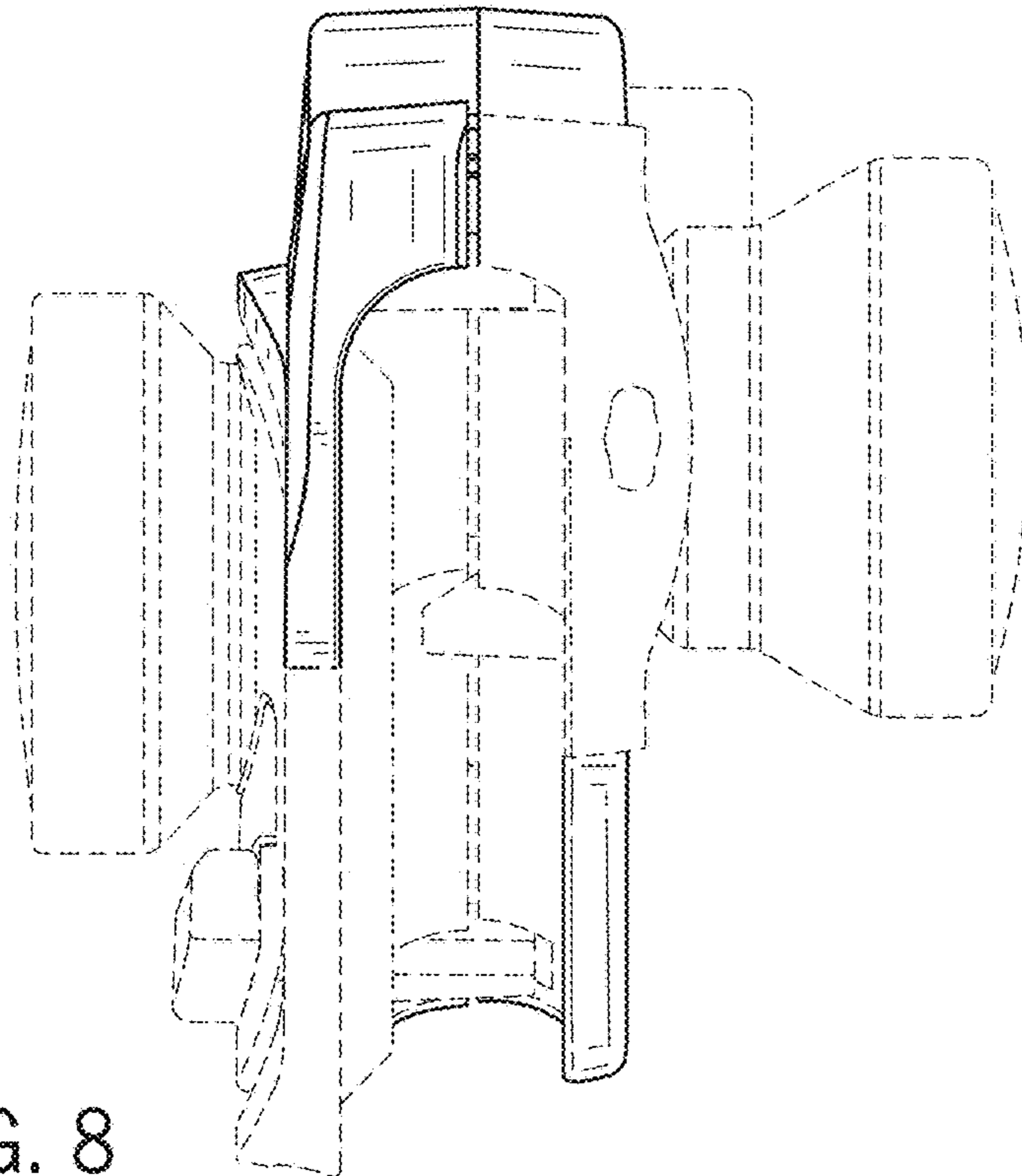


FIG. 8

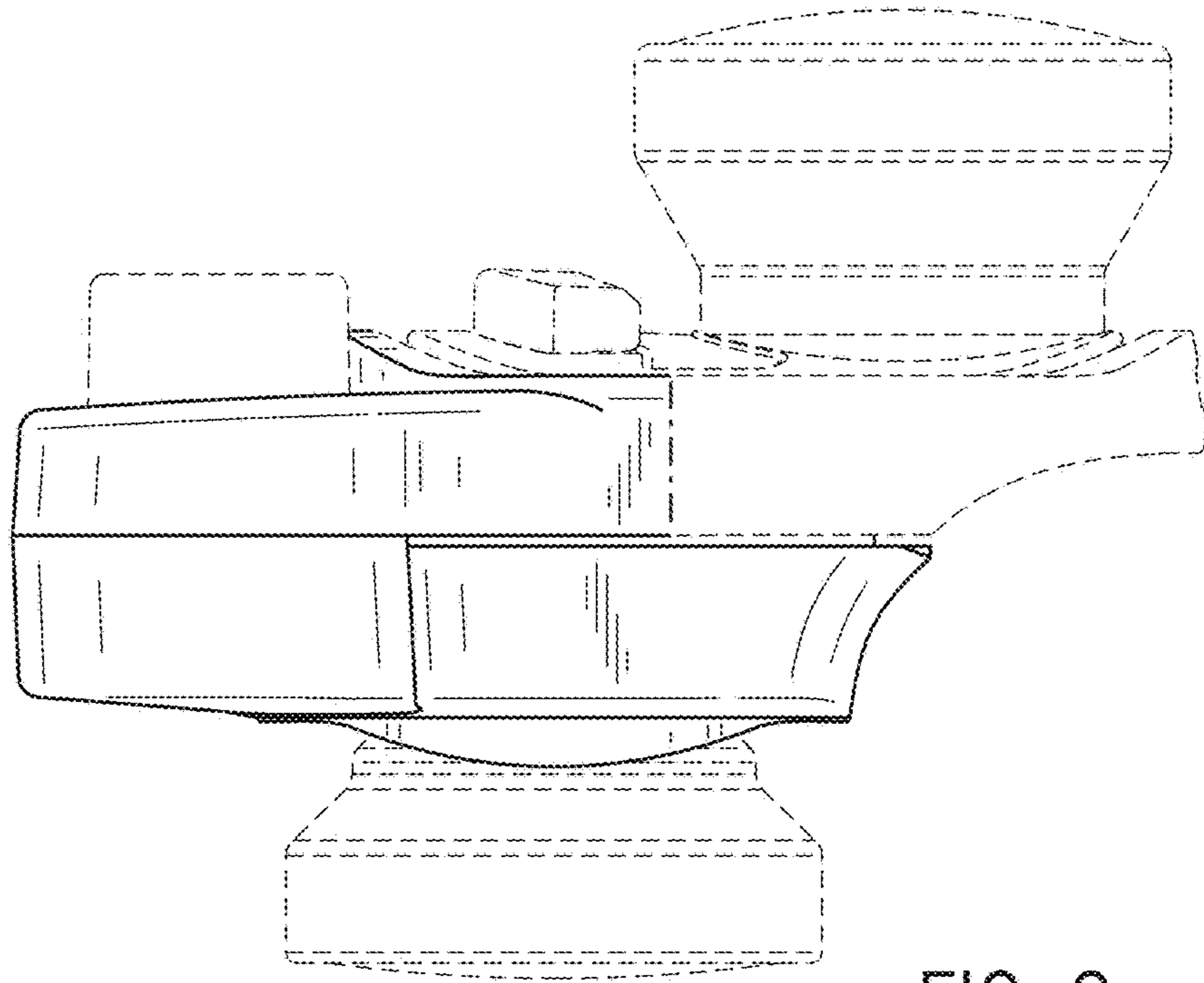


FIG. 9

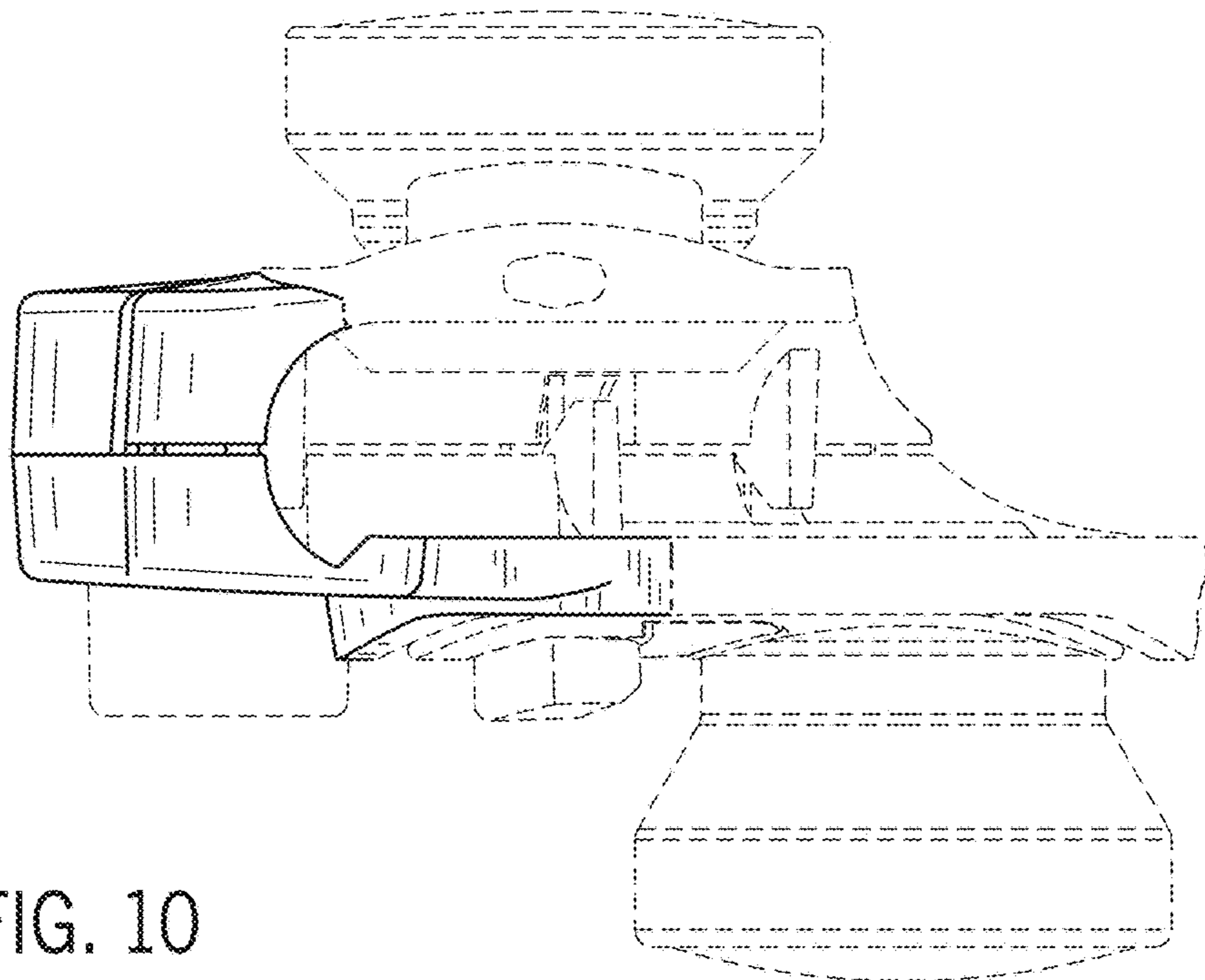


FIG. 10