



US00D856392S

(12) **United States Design Patent** (10) **Patent No.:** **US D856,392 S**  
**Luo et al.** (45) **Date of Patent:** **\*\* Aug. 13, 2019**

(54) **CAMERA** D548,256 S \* 8/2007 Hase ..... D16/202  
 7,768,727 B2 \* 8/2010 Iida ..... G02B 7/102  
 359/819  
 (71) Applicant: **Apeman International Co., Ltd.,** 7,801,439 B2 \* 9/2010 Nagata ..... G03B 17/12  
 Shenzhen (CN) 396/301  
 (72) Inventors: **Tingyuan Luo**, Xinfeng (CN); D721,395 S \* 1/2015 Woodman ..... D16/218  
**Binqiang Zhao**, Guangxi (CN) D737,879 S \* 9/2015 Woodman ..... D16/218  
 D772,966 S \* 11/2016 Song ..... D16/200  
 D777,232 S \* 1/2017 Lillquist ..... D16/202  
 (73) Assignee: **Apeman International Co., Ltd.,** D789,435 S \* 6/2017 Nguyen ..... D16/202  
 Shenzhen (CN) D790,002 S \* 6/2017 Nguyen ..... D16/218  
 D793,463 S \* 8/2017 Houin ..... D16/202  
 D800,202 S \* 10/2017 Hu ..... D16/218

(\*\*) Term: **15 Years**

(21) Appl. No.: **29/611,554**

(22) Filed: **Jul. 22, 2017**

(51) **LOC (12) Cl.** ..... **16-01**

(52) **U.S. Cl.**  
USPC ..... **D16/202**

(58) **Field of Classification Search**  
USPC ..... D16/200, 202–207, 208–210, 212, 218,  
D16/219; 348/373–376; 396/448, 535,  
396/539–541

CPC ..... G03B 15/03; G03B 17/02; G03B 17/04;  
G03B 17/56; G03B 19/04; H04N 5/2251;  
H04N 5/2252; H04N 5/2253; H04N  
5/2254; H04N 2101/00  
See application file for complete search history.

(56) **References Cited**

**U.S. PATENT DOCUMENTS**

6,788,887 B2 \* 9/2004 Takeshita ..... G03B 17/06  
396/286  
D533,574 S \* 12/2006 Hamamura ..... D16/202

\* cited by examiner

*Primary Examiner* — Ramzi S Almatrahi  
(74) *Attorney, Agent, or Firm* — JiangIP LLC; Yanling  
Jiang

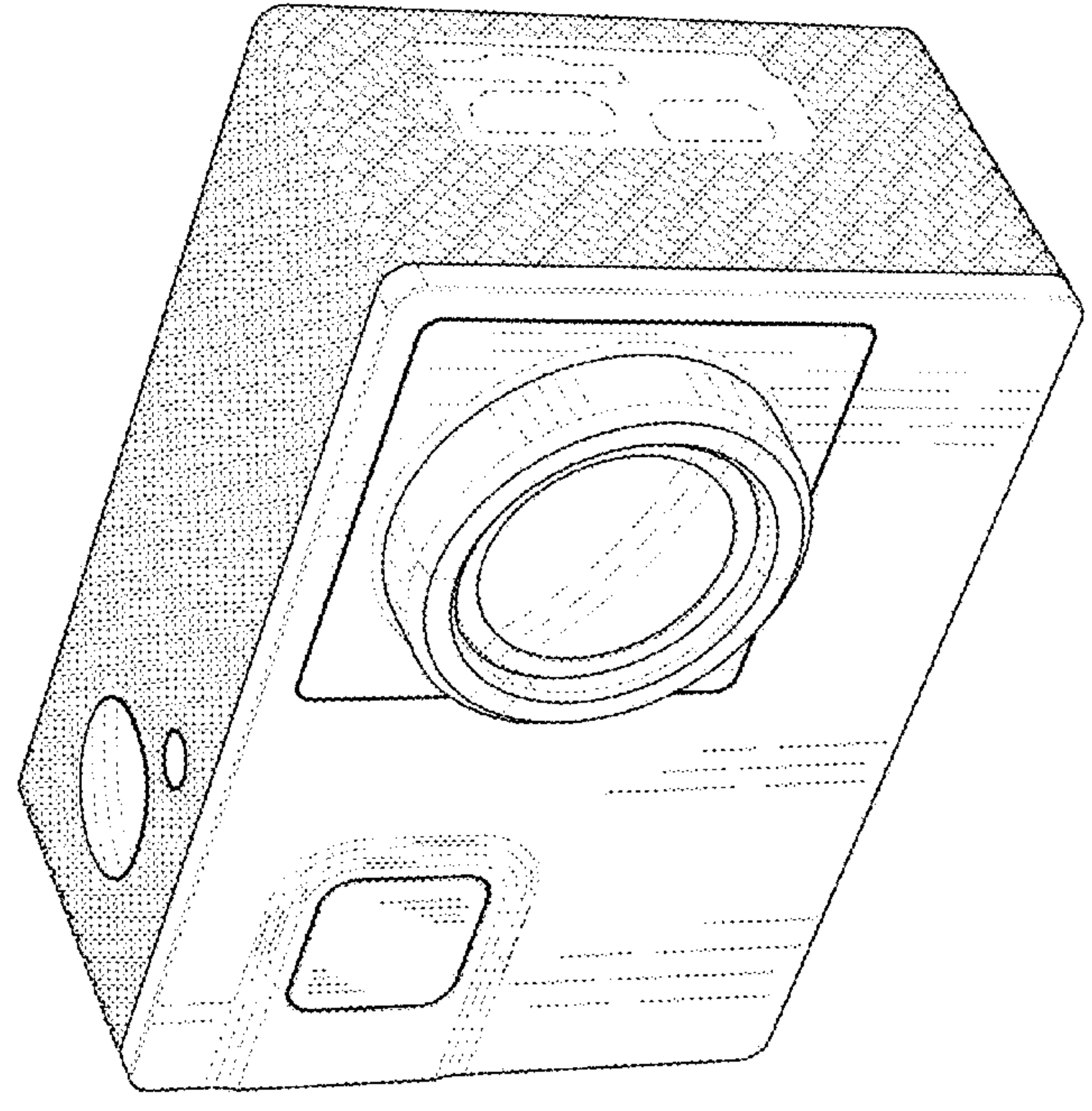
(57) **CLAIM**

The ornamental design for a camera, as shown and described.

**DESCRIPTION**

FIG. 1 is a front view of a camera.  
FIG. 2 is a rear view of a camera.  
FIG. 3 is a top view of a camera.  
FIG. 4 is a bottom view of a camera.  
FIG. 5 is a right view of a camera.  
FIG. 6 is a left view of a camera; and,  
FIG. 7 is a perspective view showing a camera.  
The broken lines depict portions of the camera in which the design is embodied that form no part of the claimed design.

**1 Claim, 7 Drawing Sheets**



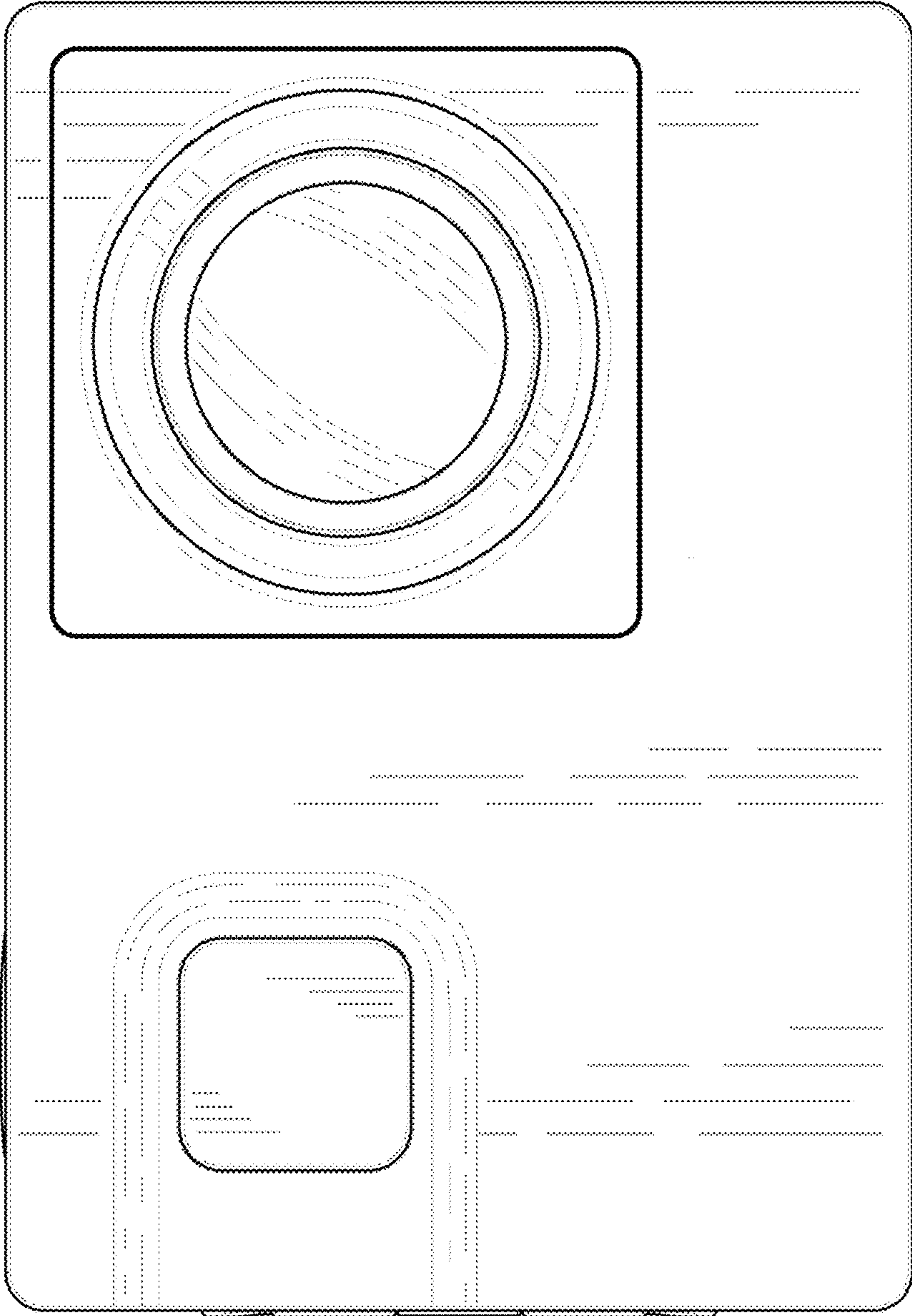


Fig. 1

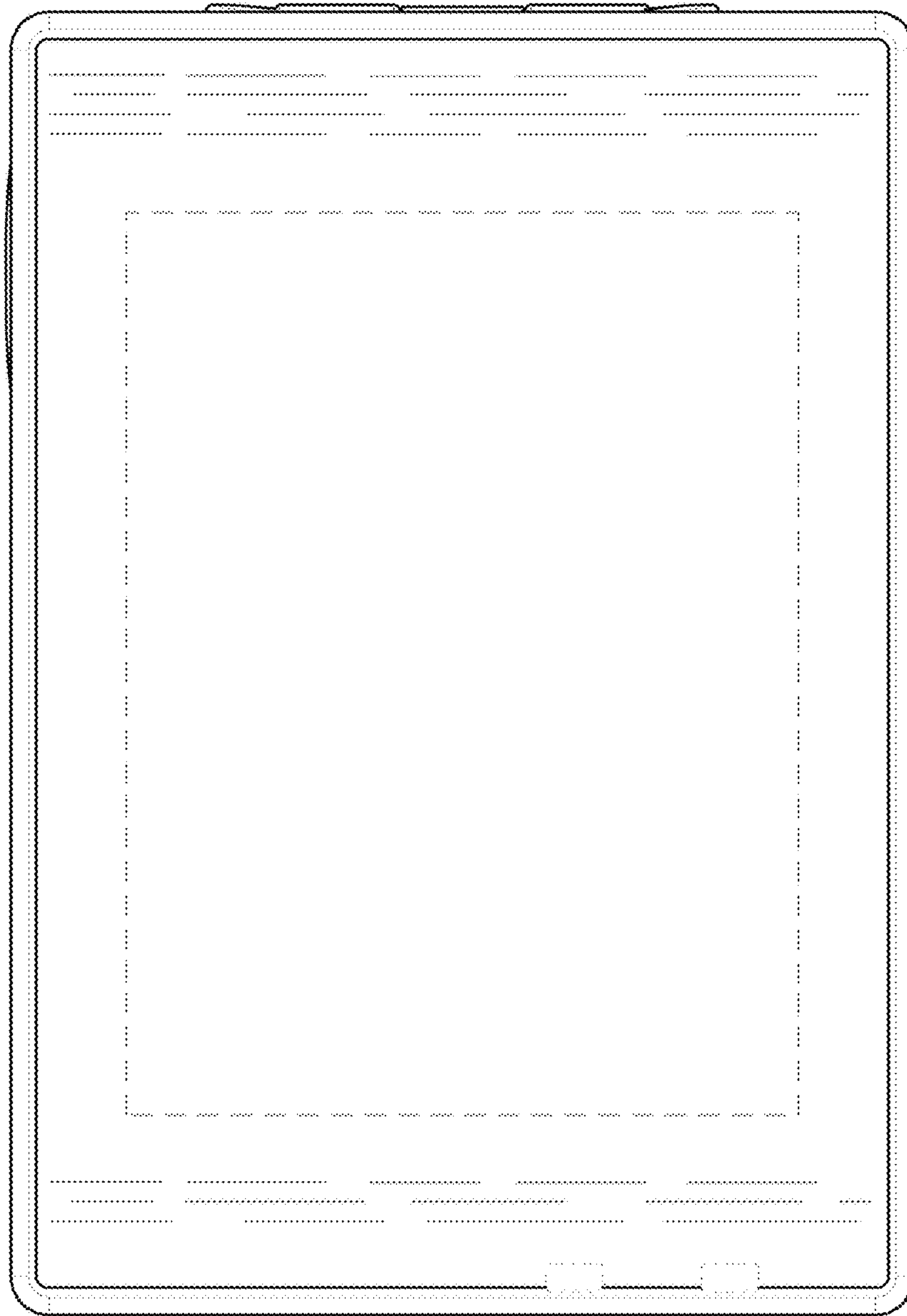


Fig. 2



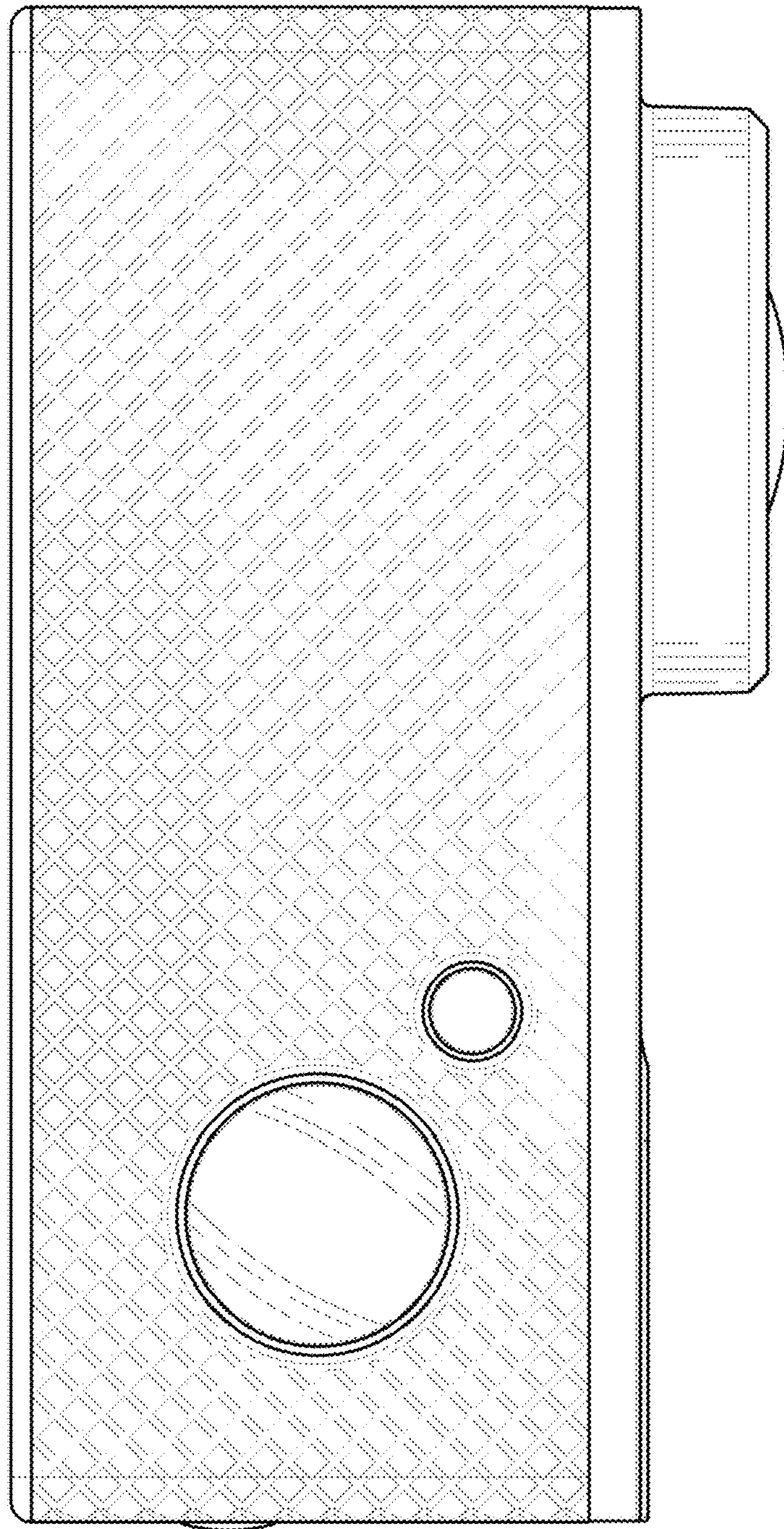


Fig. 3

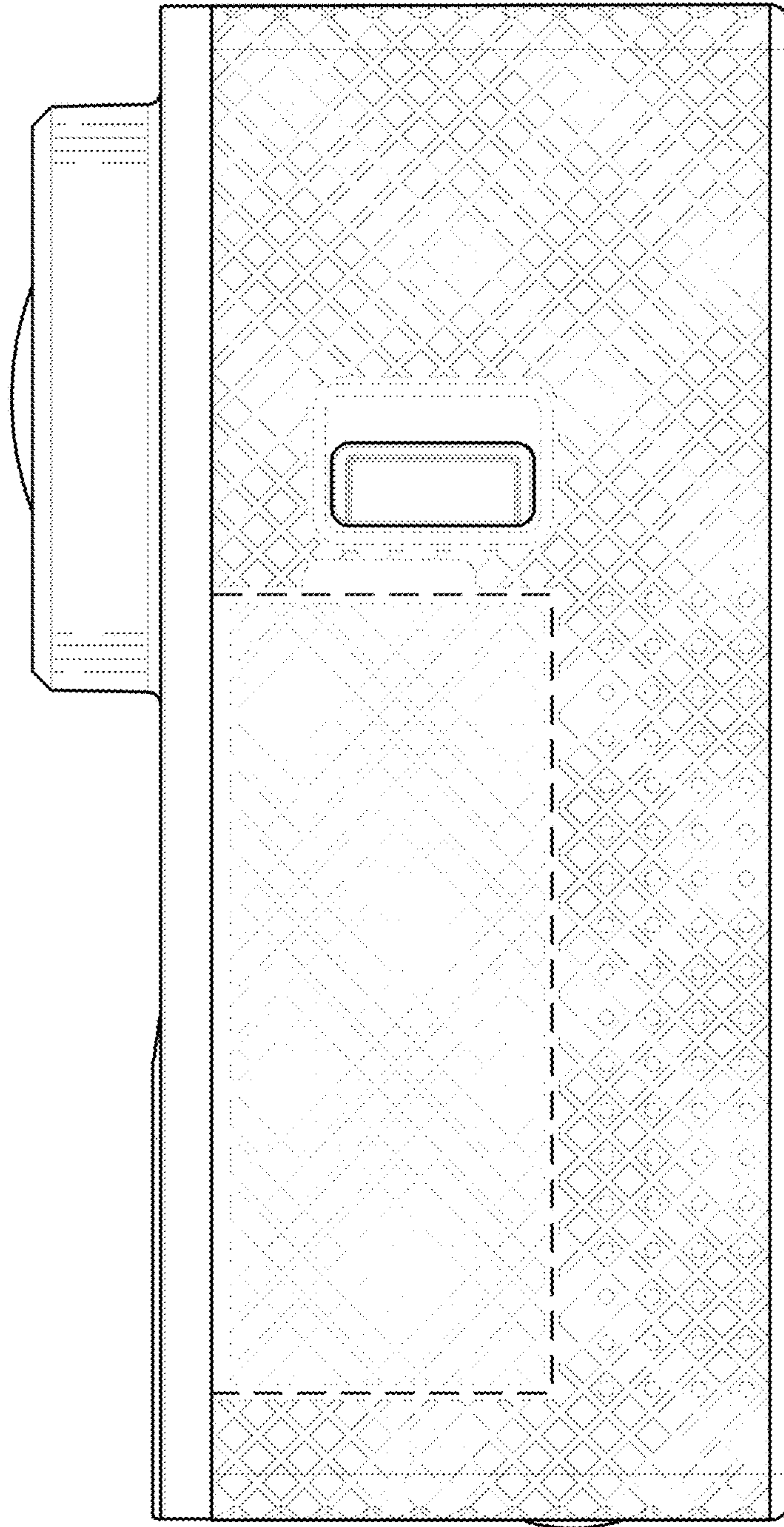


Fig. 4

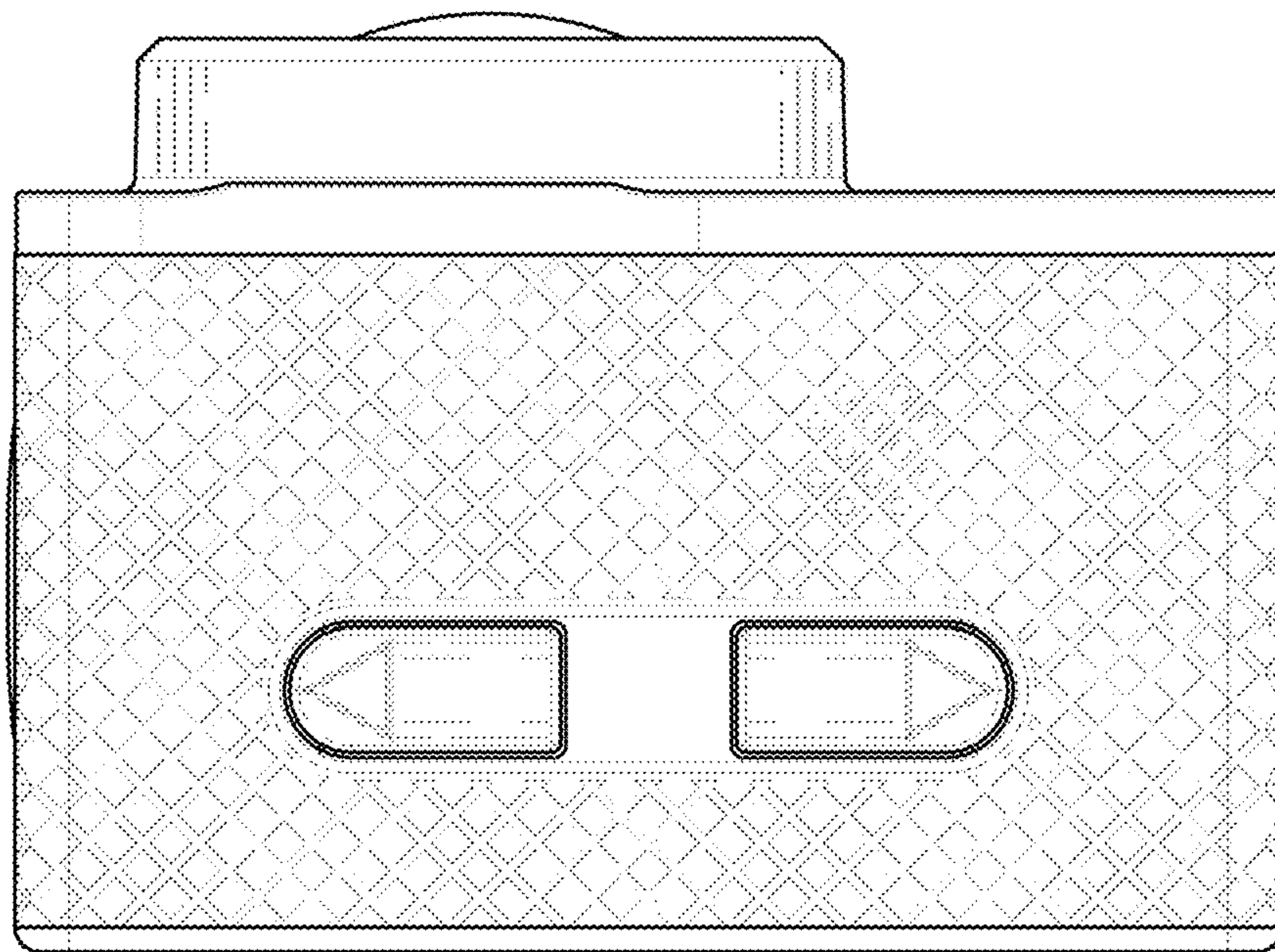


Fig. 5



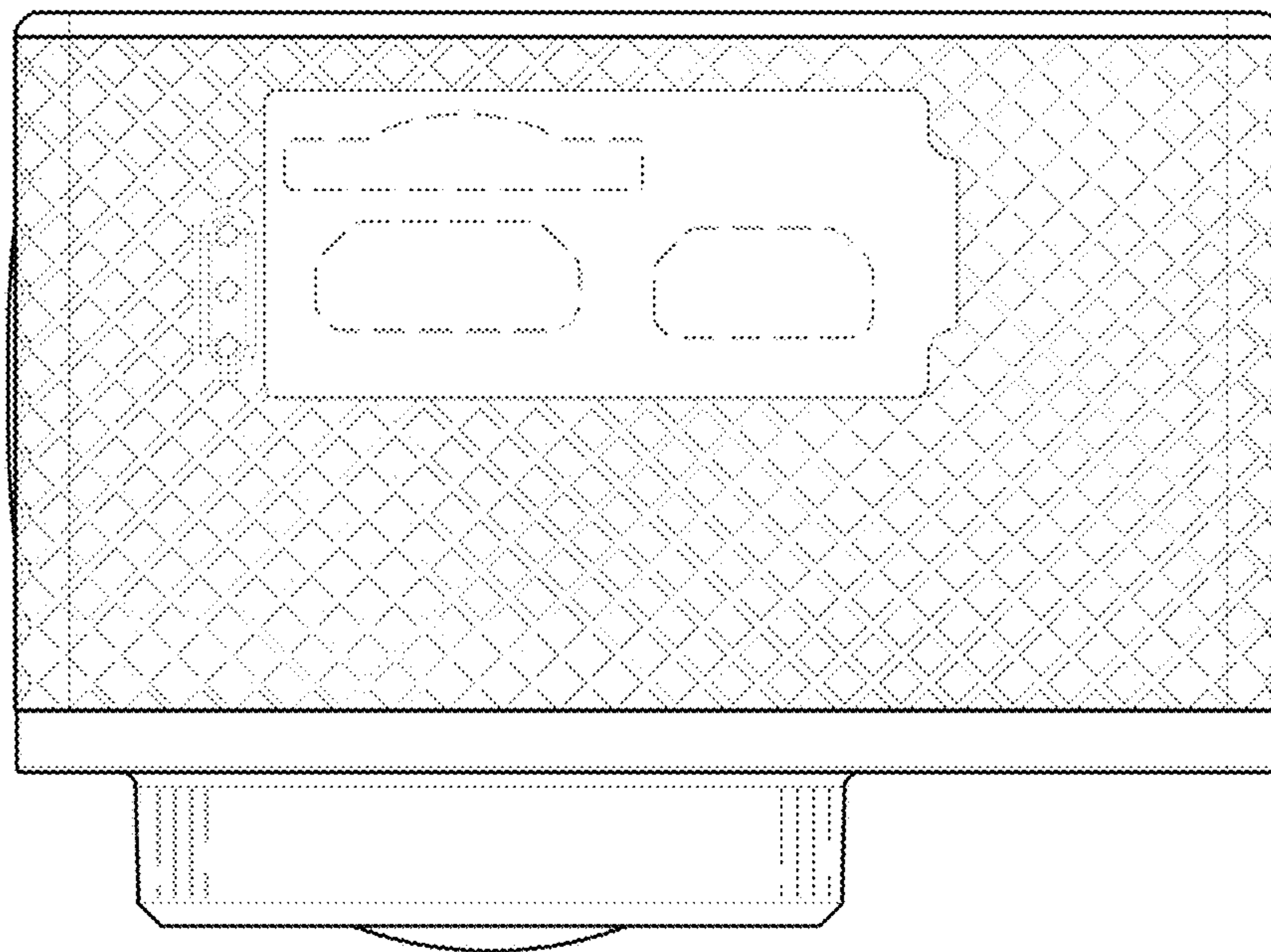


Fig. 6

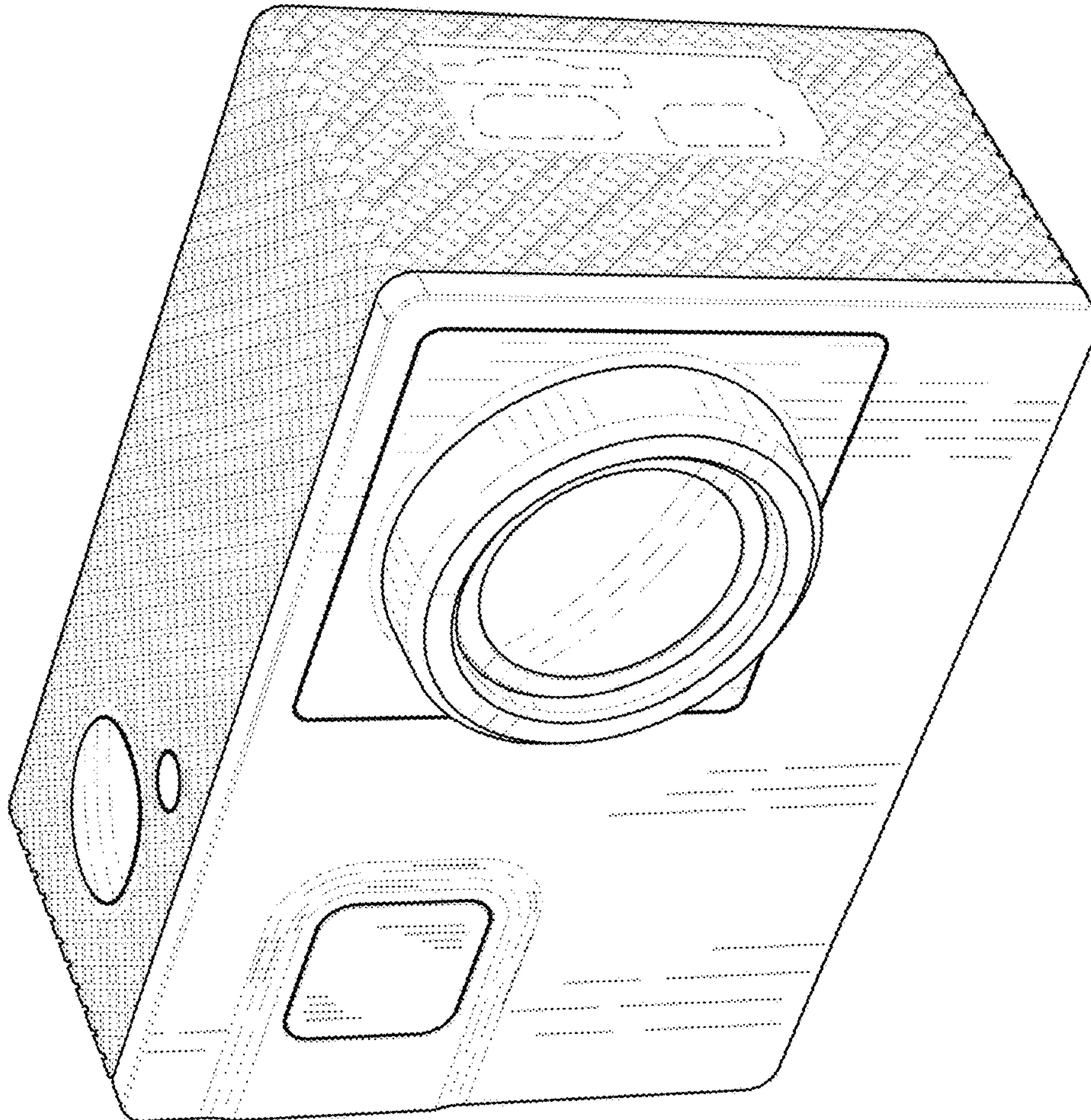


Fig. 7