



US00D856391S

(12) **United States Design Patent**  
**Liu**

(10) **Patent No.:** **US D856,391 S**

(45) **Date of Patent:** **\*\* Aug. 13, 2019**

(54) **CAMERA HOUSING**

(71) Applicant: **Shenzhen SaiNa Electronic Technology Co., Ltd., Shenzhen (CN)**

(72) Inventor: **Zuting Liu, Tianjin (CN)**

(73) Assignee: **SHENZHEN SAINA ELECTRONIC TECHNOLOGY CO., LTD, Shenzhen (CN)**

(\*\*) Term: **15 Years**

(21) Appl. No.: **29/623,068**

(22) Filed: **Oct. 23, 2017**

(51) **LOC (12) Cl.** ..... **16-01**

(52) **U.S. Cl.**  
USPC ..... **D16/200**

(58) **Field of Classification Search**  
USPC ..... D16/200, 202–204, 208, 211, 218, 219, D16/237, 242; D3/263, 267, 268; 248/176.1, 187.1; 348/81, 360, 373–376, 348/835; 396/25, 27–29, 419, 535, 396/539–541

CPC ..... G03B 15/03; G03B 17/02; G03B 17/04; G03B 17/08; G03B 17/56; G03B 19/04; H04N 5/2251; H04N 5/2252; H04N 5/2253; H04N 5/2254; A45C 11/38

See application file for complete search history.

(56) **References Cited**

**U.S. PATENT DOCUMENTS**

8,014,656 B2 \* 9/2011 Woodman ..... B63B 25/002 396/25  
D647,554 S \* 10/2011 Yim ..... D16/204

D702,747 S \* 4/2014 Woodman ..... D16/200  
D710,921 S \* 8/2014 Gioscia ..... D16/200  
D710,922 S \* 8/2014 Gioscia ..... D16/200  
D725,169 S \* 3/2015 Gioscia ..... D16/200  
D734,799 S \* 7/2015 Woodman ..... D16/200  
D739,451 S \* 9/2015 Gioscia ..... D16/200  
D750,146 S \* 2/2016 Costa ..... D16/200  
D750,680 S \* 3/2016 Chen ..... D16/200  
D776,741 S \* 1/2017 Parfitt ..... D16/204  
D804,560 S \* 12/2017 Costa ..... D16/200  
D808,163 S \* 1/2018 Song ..... D3/269  
2009/0317069 A1 \* 12/2009 Yim ..... G03B 17/08 396/27  
2016/0252801 A1 \* 9/2016 Harrison ..... G03B 17/561 396/27

\* cited by examiner

*Primary Examiner* — Ramzi S Almatrahi

(74) *Attorney, Agent, or Firm* — Gokalp Bayramoglu

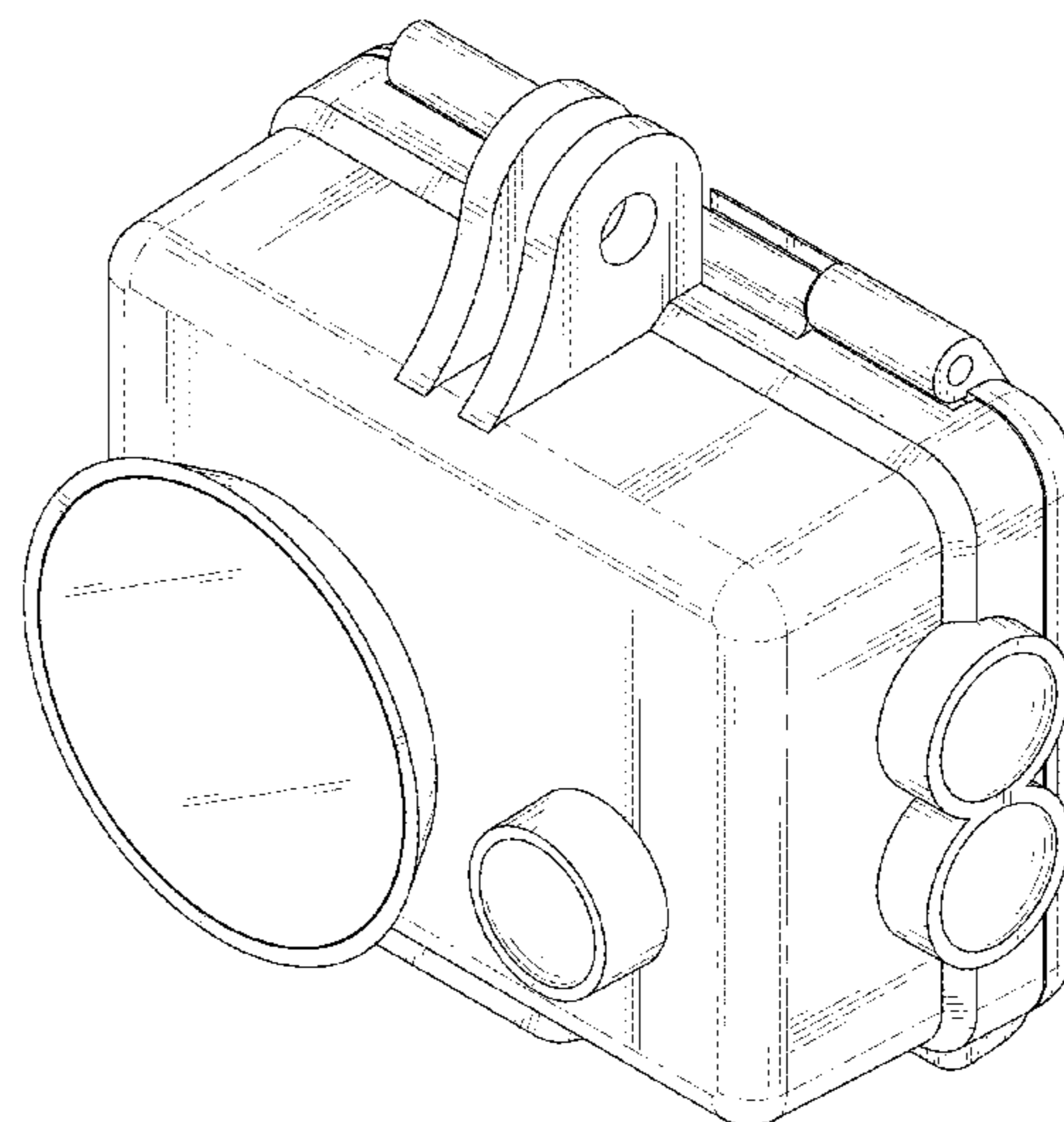
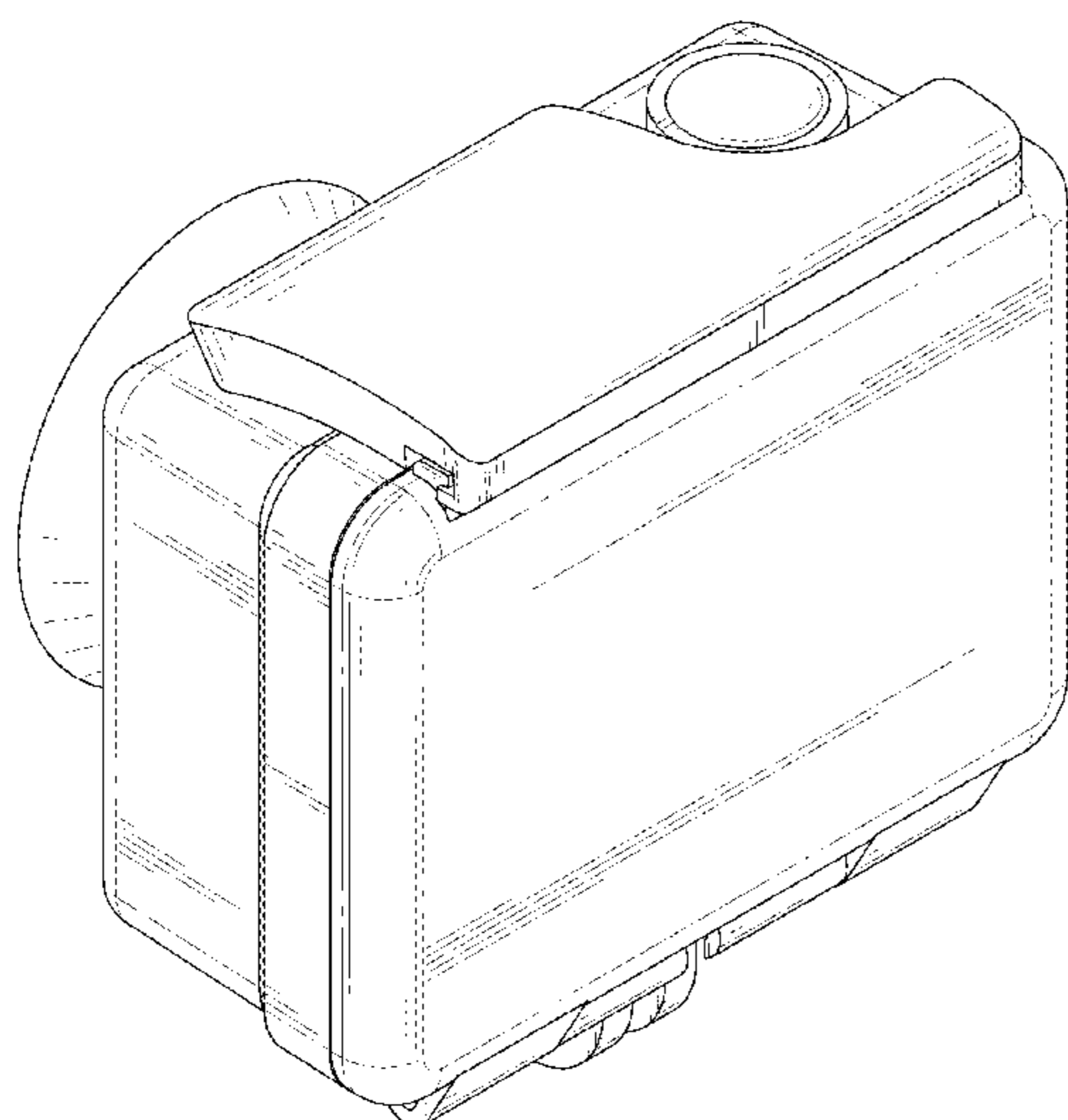
(57) **CLAIM**

The ornamental design for a camera housing, as shown and described.

**DESCRIPTION**

FIG. 1 is a rear perspective view of a camera housing showing my new design;  
FIG. 2 is a front perspective view of the camera housing;  
FIG. 3 is a front view of the camera housing;  
FIG. 4 is a rear view of the camera housing;  
FIG. 5 is a left side view of the camera housing;  
FIG. 6 is a right side view of the camera housing;  
FIG. 7 is a top view of the camera housing; and,  
FIG. 8 is a bottom view of the camera housing.

**1 Claim, 8 Drawing Sheets**



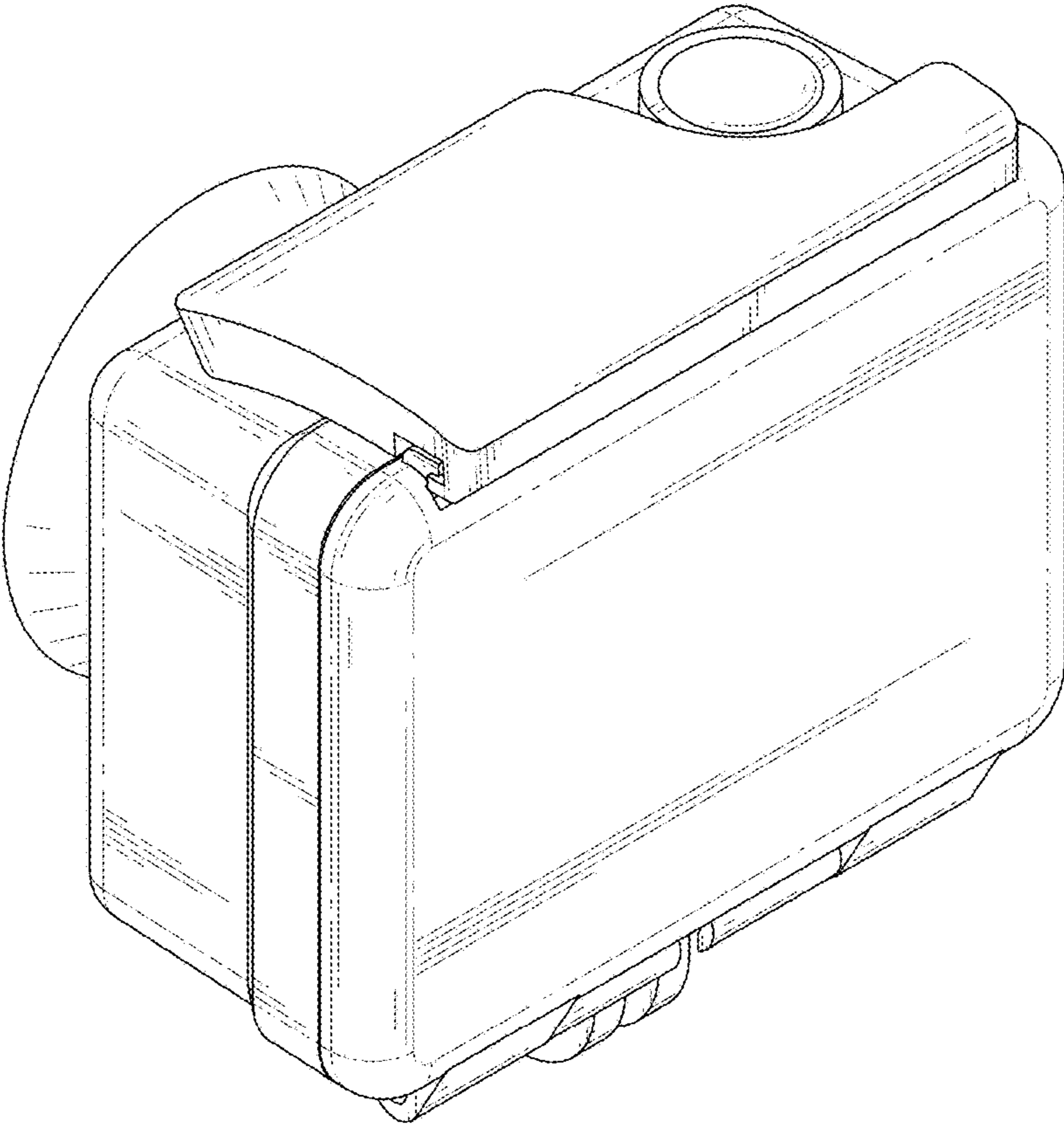


FIG. 1

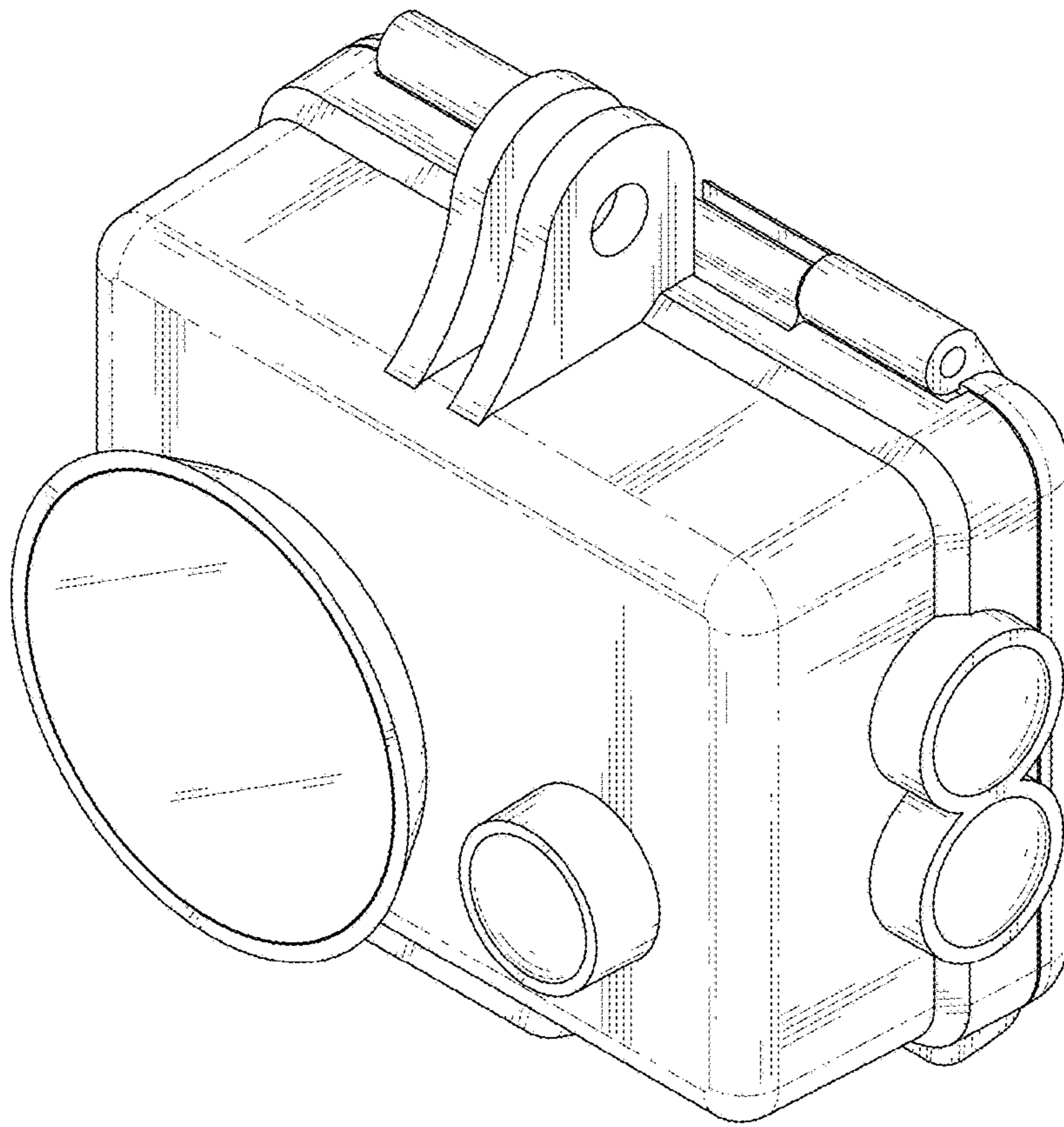


FIG. 2

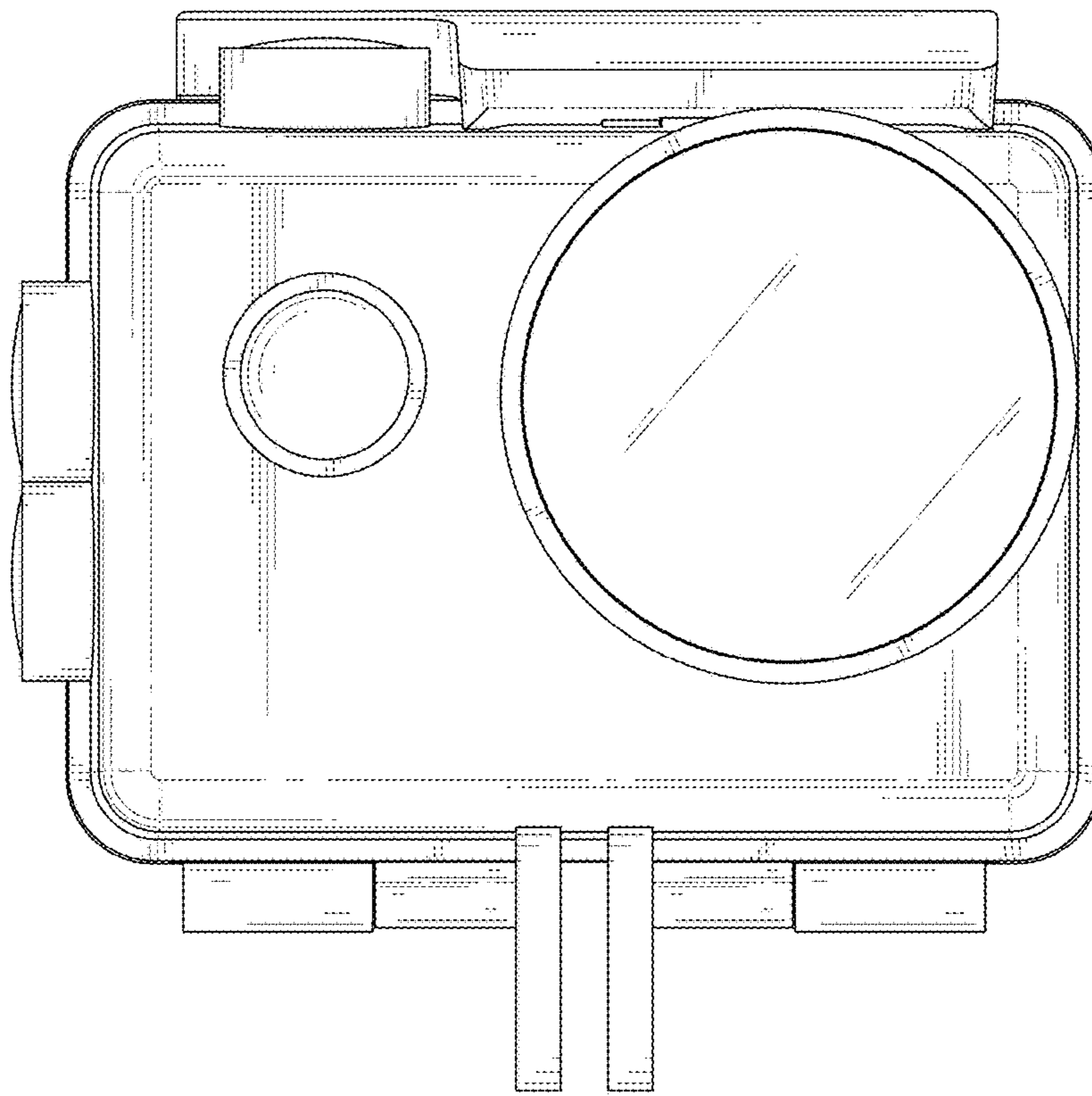


FIG. 3

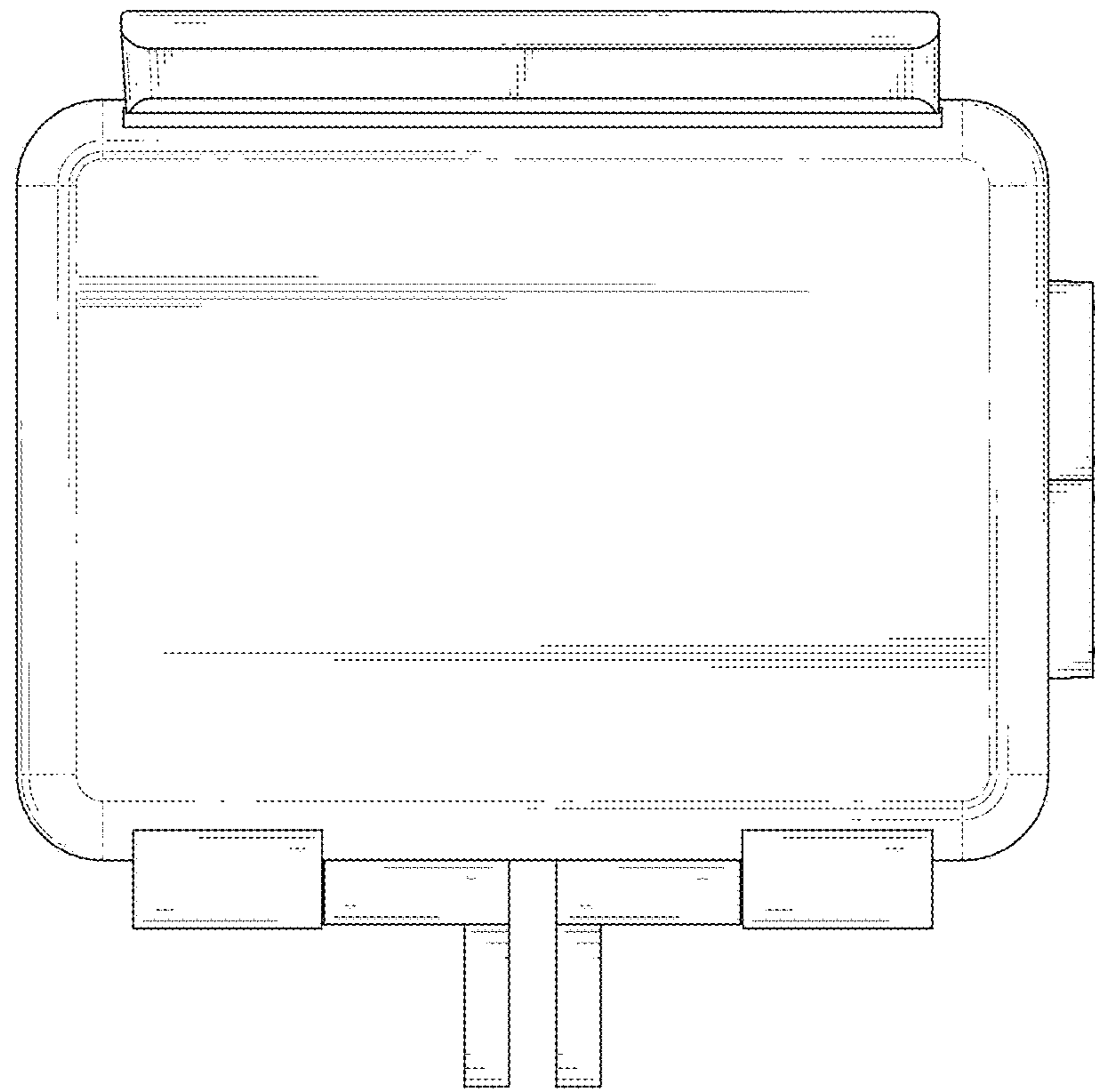


FIG. 4

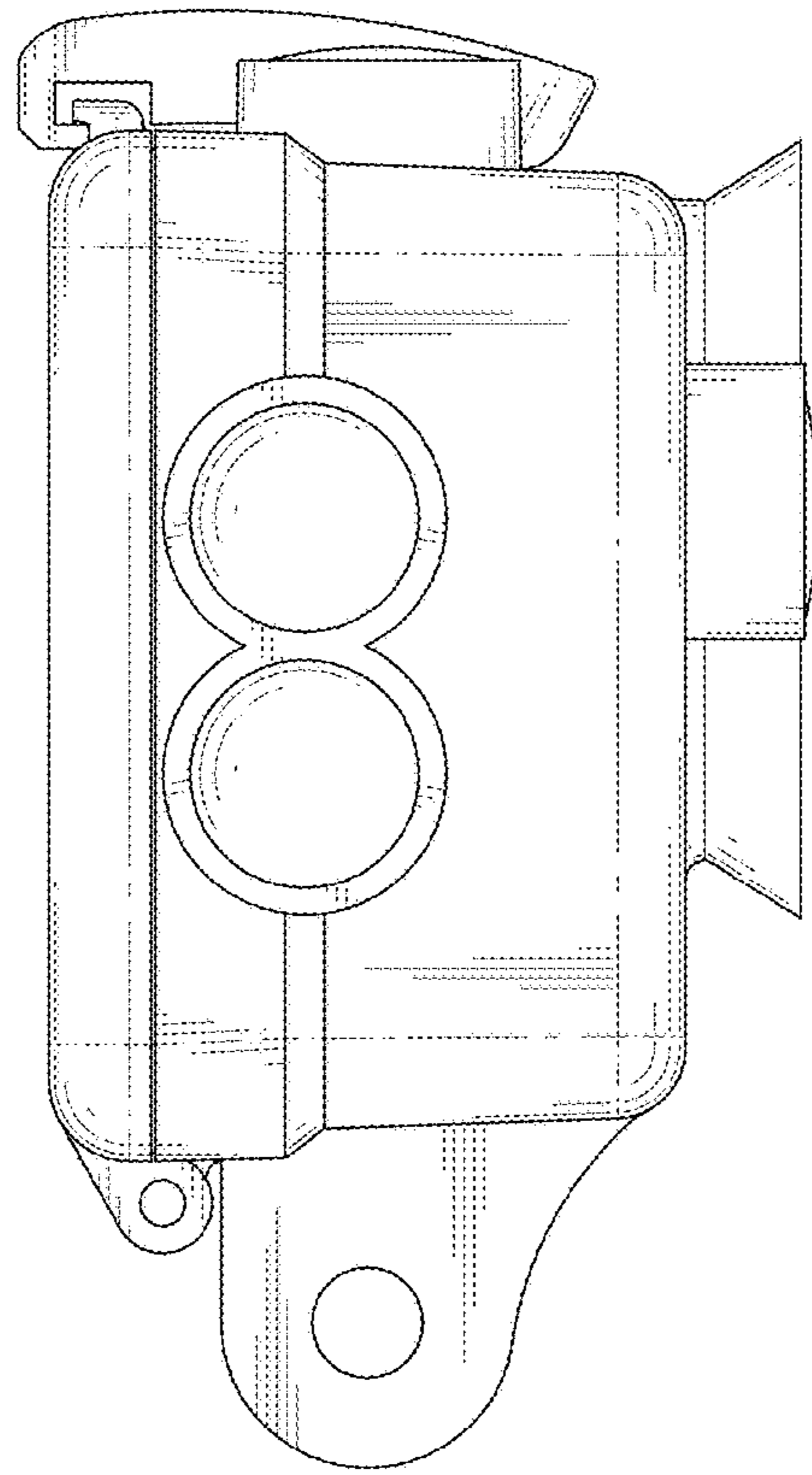


FIG. 5

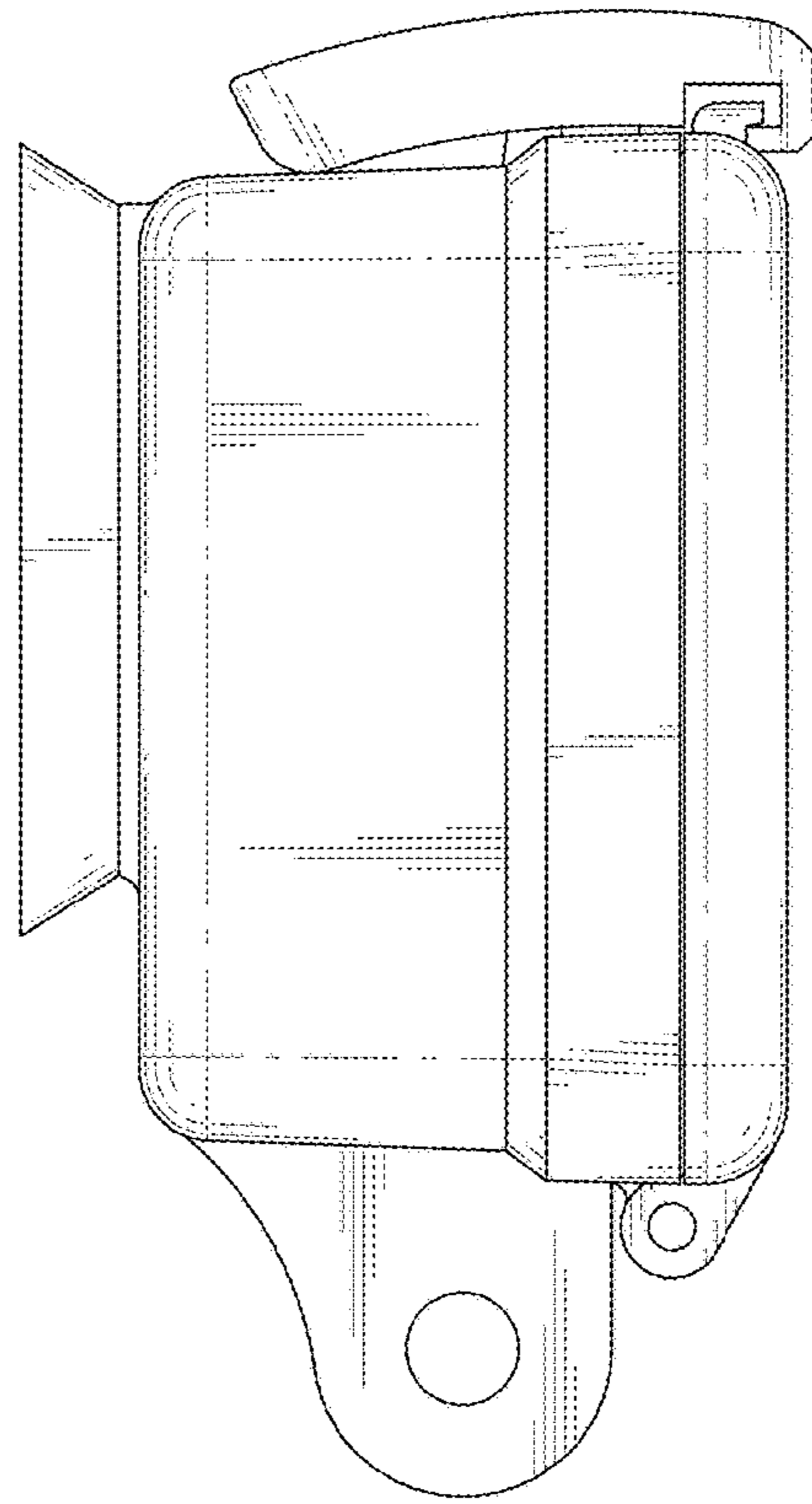


FIG. 6

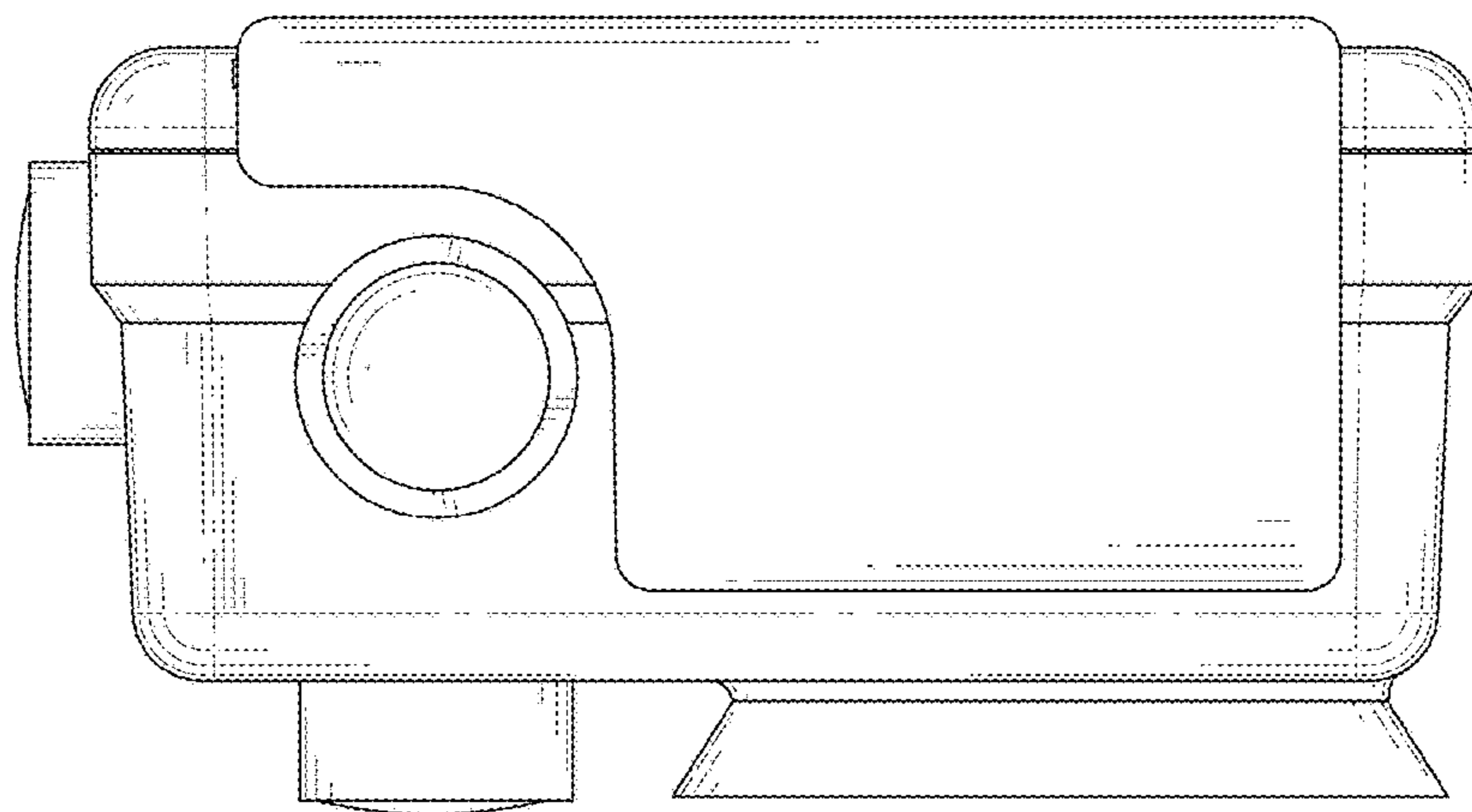


FIG. 7



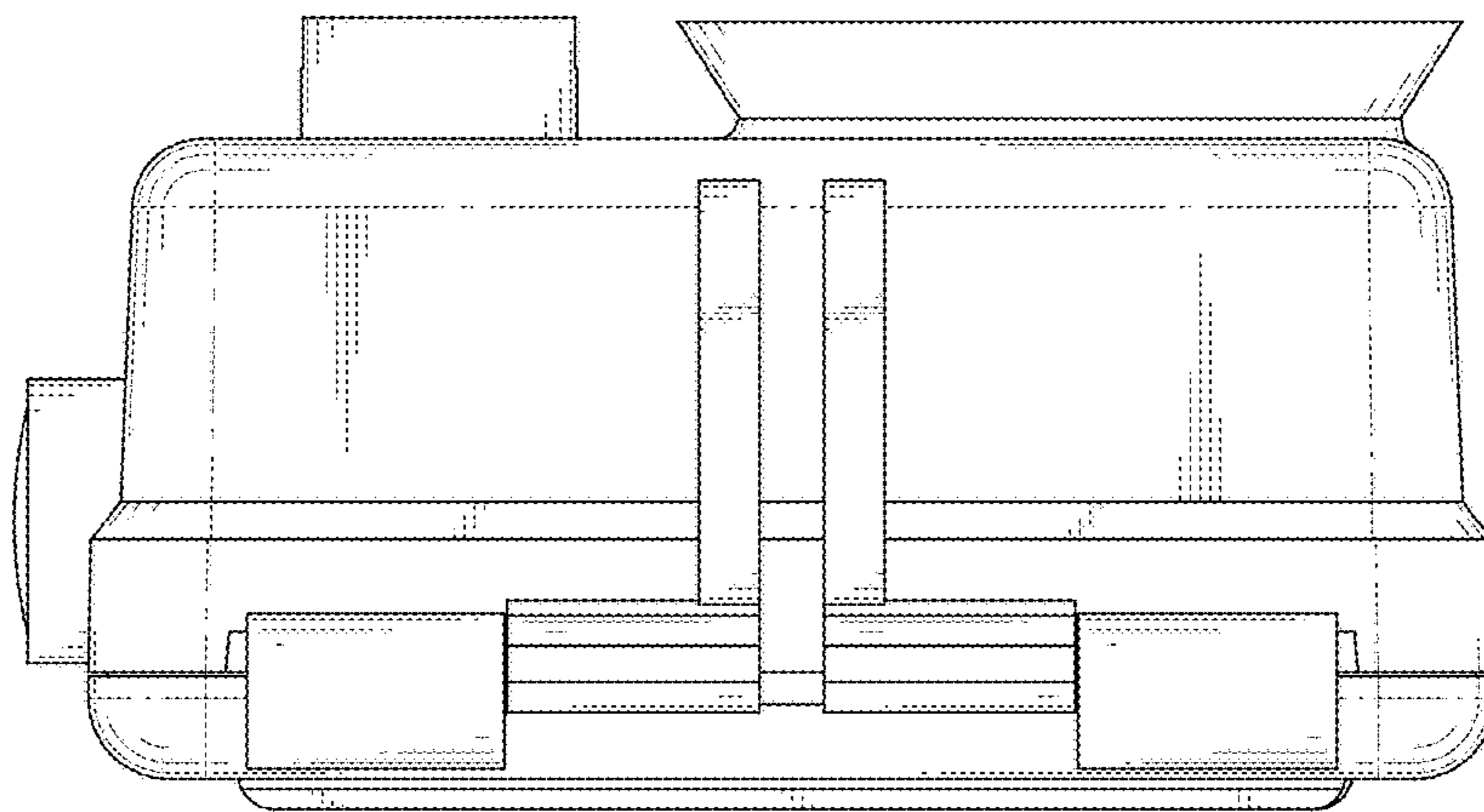


FIG. 8